

Specifications

Item	Specification
Dimensions (H x W x L)	29.21 x 43.85 x 243.22 mm (1.15 x 1.71 x 9.57 in.)
Operating Temperature	0° C to 40° C
Storage Temperature	-20° C to 80° C
Relative Humidity	<85% non-condensing
Supply Voltage	+3.15 V - +3.45 V
Bit Rate	100 Mb/s - 2700 Mb/s
Optical Output Power	+1 dBm - +3 dBm
Receiver sensitivity (BER <math>10^{-10}</math> for OC rates, BER <math>10^{-12}</math> for GbE)	-28 dBm (OC-48) -31 dBm (GbE) -33 dBm (OC-12) -35 dBm (OC-3)
Receiver Optical Overload	-7 dBm

Electrical Safety and Emission Statement

This product meets the following standards.

U.S. Federal Communications Commission

Radiated Energy

Note: This equipment has been tested and found to comply with the limits for a Class A digital device pursuant to Part 15 of FCC Rules. These limits are designed to provide reasonable protection against harmful interference when the equipment is operated in a commercial environment. This equipment generates, uses, and can radiate radio frequency energy and, if not installed and used in accordance with this instruction manual, may cause harmful interference to radio communications. Operation of this equipment in a residential area is likely to cause harmful interference in which case the user will be required to correct the interference at his own expense.

Note: Modifications or changes not expressly approved of by the manufacturer or the FCC, can void your right to operate this equipment.

Industry Canada

This Class A digital apparatus meets all requirements of the Canadian Interference-Causing Equipment Regulations. Cet appareil numérique de la classe A respecte toutes les exigences du Règlement sur le matériel brouilleur du Canada.

RFI Emissions EN 55022 Class A



Warning

In a domestic environment this product may cause radio interference in which case the user may be required to take adequate measures.

Immunity EN 55024

Electrical Safety UL 1950 (cUL-US), EN 60950 (TUV)



Laser Safety EN 60825 (Class 1)

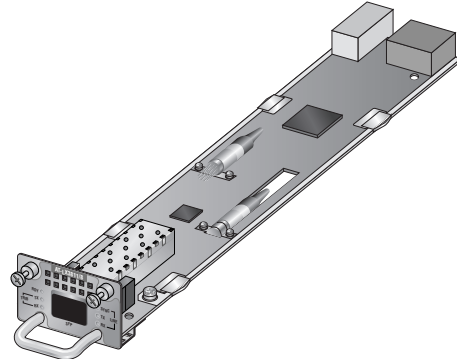
Copyright © 2004 Allied Telesyn, Inc. All rights reserved. No part of this publication may be reproduced without prior written permission from Allied Telesyn, Inc. www.alliedtelesyn.com



AT-LX3811/x Multi-Service Line Card Installation Guide

Overview

An AT-LX3811/x Multi-Service Line Card is designed for use in an AT-LX3800U Multi-Service Transport System. Each line card contains one optical SFP transceiver port. The line cards are hot swappable into and out of the system. Each line card can only be used in its dedicated slot.



The line card models, their corresponding wavelengths, and their slot position in the AT-LX3800U system are listed in the following table.

Model	Wavelength	Slot Number
AT-LX3811/1	1470	1
AT-LX3811/2	1490	2
AT-LX3811/3	1510	3
AT-LX3811/4	1530	4
AT-LX3811/5	1550	5
AT-LX3811/6	1570	6
AT-LX3811/7	1590	7
AT-LX3811/8	1610	8



Laser
Class 1 laser product.



Laser
Do not stare into the laser beam.

PN 613-50550-00 Rev. A

Specifications

Item	Specification
Dimensions (H x W x L)	29.21 x 43.85 x 243.22 mm (1.15 x 1.71 x 9.57 in.)
Operating Temperature	0° C to 40° C
Storage Temperature	-20° C to 80° C
Relative Humidity	<85% non-condensing
Supply Voltage	+3.15 V - +3.45 V
Bit Rate	100 Mb/s - 2700 Mb/s
Optical Output Power	+1 dBm - +3 dBm
Receiver sensitivity (BER <math>10^{-10}</math> for OC rates, BER <math>10^{-12}</math> for GbE)	-28 dBm (OC-48) -31 dBm (GbE) -33 dBm (OC-12) -35 dBm (OC-3)
Receiver Optical Overload	-7 dBm

Electrical Safety and Emission Statement

This product meets the following standards.

U.S. Federal Communications Commission

Radiated Energy

Note: This equipment has been tested and found to comply with the limits for a Class A digital device pursuant to Part 15 of FCC Rules. These limits are designed to provide reasonable protection against harmful interference when the equipment is operated in a commercial environment. This equipment generates, uses, and can radiate radio frequency energy and, if not installed and used in accordance with this instruction manual, may cause harmful interference to radio communications. Operation of this equipment in a residential area is likely to cause harmful interference in which case the user will be required to correct the interference at his own expense.

Note: Modifications or changes not expressly approved of by the manufacturer or the FCC, can void your right to operate this equipment.

Industry Canada

This Class A digital apparatus meets all requirements of the Canadian Interference-Causing Equipment Regulations. Cet appareil numérique de la classe A respecte toutes les exigences du Règlement sur le matériel brouilleur du Canada.

RFI Emissions EN 55022 Class A



Warning

In a domestic environment this product may cause radio interference in which case the user may be required to take adequate measures.

Immunity EN 55024

Electrical Safety UL 1950 (cUL-US), EN 60950 (TUV)



Laser Safety EN 60825 (Class 1)

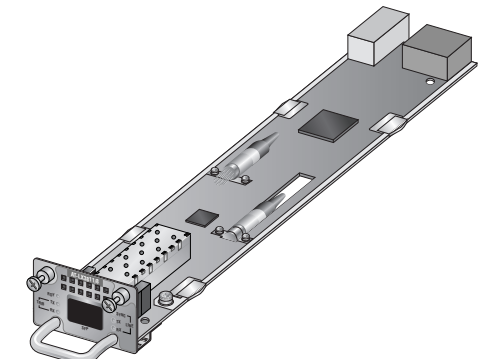
Copyright © 2004 Allied Telesyn, Inc. All rights reserved. No part of this publication may be reproduced without prior written permission from Allied Telesyn, Inc. www.alliedtelesyn.com



AT-LX3811/x Multi-Service Line Card Installation Guide

Overview

An AT-LX3811/x Multi-Service Line Card is designed for use in an AT-LX3800U Multi-Service Transport System. Each line card contains one optical SFP transceiver port. The line cards are hot swappable into and out of the system. Each line card can only be used in its dedicated slot.



The line card models, their corresponding wavelengths, and their slot position in the AT-LX3800U system are listed in the following table.

Model	Wavelength	Slot Number
AT-LX3811/1	1470	1
AT-LX3811/2	1490	2
AT-LX3811/3	1510	3
AT-LX3811/4	1530	4
AT-LX3811/5	1550	5
AT-LX3811/6	1570	6
AT-LX3811/7	1590	7
AT-LX3811/8	1610	8



Laser
Class 1 laser product. Do not stare into the laser beam.



Laser
Do not stare into the laser beam.

PN 613-50550-00 Rev. A

Related Documents

For details on the features and functions of your Allied Telesyn AT-LX3800U Multi-Service Transport System, refer to the following documents on our web site, www.alliedtelesyn.com:

- *AT-LX3800U Multi-Service Transport System Installation and Maintenance Guide* (part number 613-50549-00)
- *AT-S65 Management Software User's Guide* (part number 613-50604-00)

Verifying Package Contents

Make sure that the correct components are included in your package:

- AT-LX3811/x Multi-Service Line Card
- This installation guide
- Warranty card

If any item is missing or damaged, contact your Allied Telesyn sales representative for assistance.

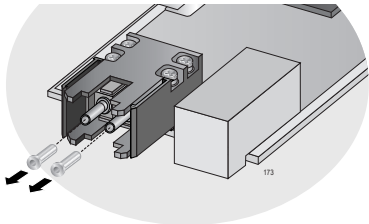
Installing the Line Card

To install an AT-LX3811/x Line Card, perform the following procedure:

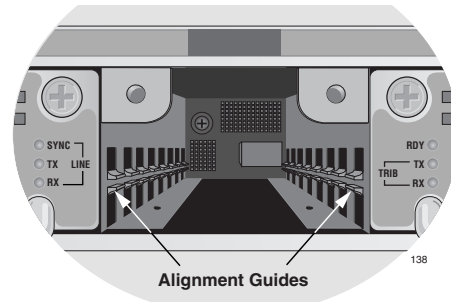
1. Remove the AT-LX3811/x line card from its shipping package and store the package in a safe place. You must use the original package if you need to return the unit to Allied Telesyn.
2. Select the slot in the AT-LX3800U chassis that corresponds to the number of the line card you want to install.
3. Remove any AT-LX3801 Blank Slot Cover from the slot.

Keep the blank slot cover in a safe area in case you remove the line card. The blank slot cover protects the fiber optic connectors on the backplane from becoming dirty, and helps maintain proper air flow through the chassis.

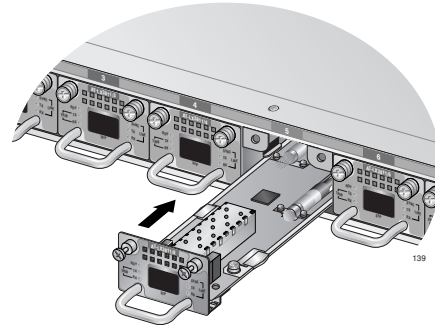
4. Remove the dust caps from the fiber optic connectors at the back of the card and save for future use.



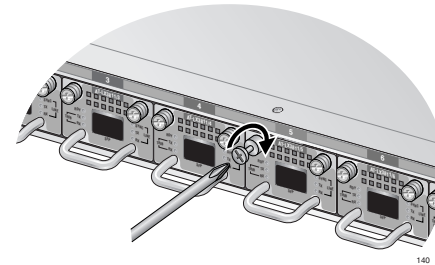
5. Locate the left and right alignment guides in the slot.



6. Align the back edge of the line card with the left and right alignment guides.
7. Slide the card into the slot that corresponds to the line card number, until the faceplate is flush with the front.



8. Use a Phillips head screwdriver to tighten the captive screws on the line card.



Note

Always tighten the captive screws to secure the line card to the chassis. This helps ensure that the fiber optic connectors at the back of the line card are securely connected to the backplane.

9. Repeat this procedure to install additional line cards.

For information about the line card LEDs, installing SFPs in the line card, and connecting fiber optic cables, refer to the *AT-LX3800U Multi-Service Transport System Installation and Maintenance Guide*.

Related Documents

For details on the features and functions of your Allied Telesyn AT-LX3800U Multi-Service Transport System, refer to the following documents on our web site, www.alliedtelesyn.com:

- *AT-LX3800U Multi-Service Transport System Installation and Maintenance Guide* (part number 613-50549-00)
- *AT-S65 Management Software User's Guide* (part number 613-50604-00)

Verifying Package Contents

Make sure that the correct components are included in your package:

- AT-LX3811/x Multi-Service Line Card
- This installation guide
- Warranty card

If any item is missing or damaged, contact your Allied Telesyn sales representative for assistance.

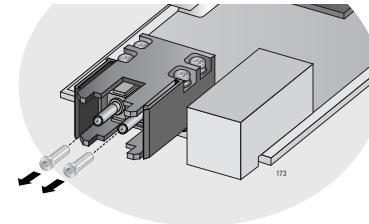
Installing the Line Card

To install an AT-LX3811/x Line Card, perform the following procedure:

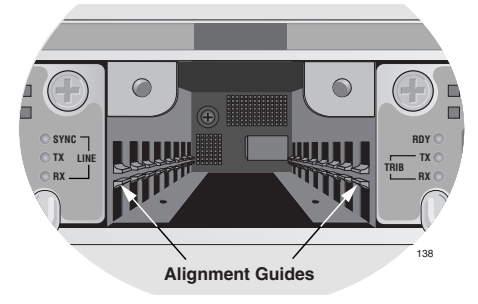
1. Remove the AT-LX3811/x line card from its shipping package and store the package in a safe place. You must use the original package if you need to return the unit to Allied Telesyn.
2. Select the slot in the AT-LX3800U chassis that corresponds to the number of the line card you want to install.
3. Remove any AT-LX3801 Blank Slot Cover from the slot.

Keep the blank slot cover in a safe area in case you remove the line card. The blank slot cover protects the fiber optic connectors on the backplane from becoming dirty, and helps maintain proper air flow through the chassis.

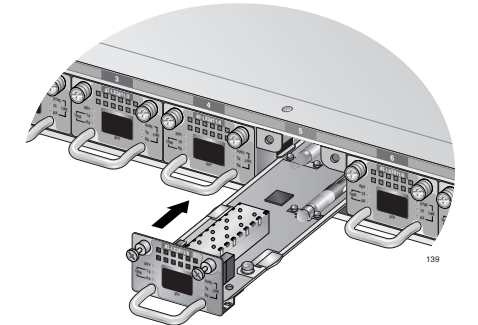
4. Remove the dust caps from the fiber optic connectors at the back of the card and save for future use.



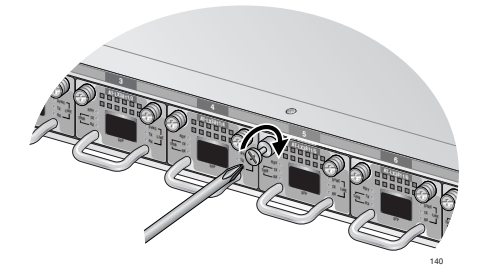
5. Locate the left and right alignment guides in the slot.



6. Align the back edge of the line card with the left and right alignment guides.
7. Slide the card into the slot that corresponds to the line card number, until the faceplate is flush with the front.



8. Use a Phillips head screwdriver to tighten the captive screws on the line card.



Note

Always tighten the captive screws to secure the line card to the chassis. This helps ensure that the fiber optic connectors at the back of the line card are securely connected to the backplane.

9. Repeat this procedure to install additional line cards.

For information about the line card LEDs, installing SFPs in the line card, and connecting fiber optic cables, refer to the *AT-LX3800U Multi-Service Transport System Installation and Maintenance Guide*.