

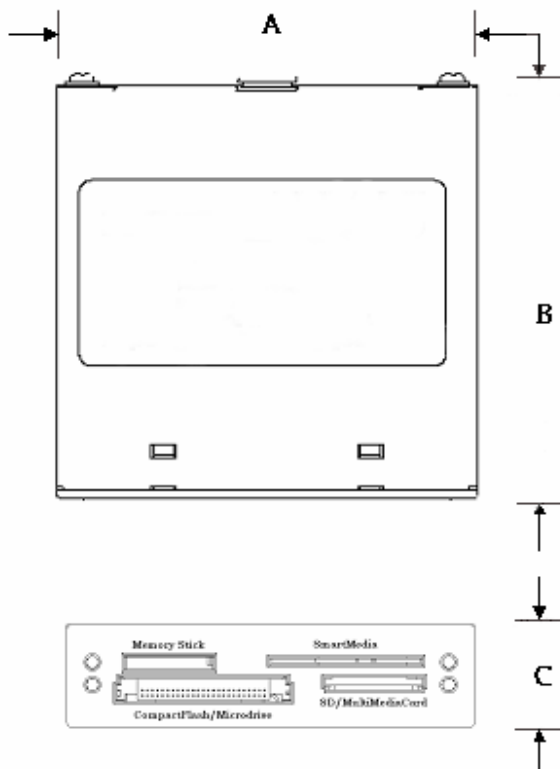
TS0MFLRD8B

USB2.0 Internal Multi-Card Reader

Description

TS0MFLRD8B is a USB2.0 Internal Multi-Card Reader with 4 slots, which are for CompactFlash™ Type I/II, Microdrive™, SmartMedia™, Secure Digital, Mini SD (with adapter), MultiMediaCard™, RS-MMC (with adapter), Memory Stick®, Memory Stick PRO®, Memory Stick Duo® (with adaptor) and Memory Stick PRO Duo® (with adaptor).

Outline



System Requirements

- Desktop computer with an onboard USB pin-header and 3.5" drive bay
- One of the following operating systems:
 - Win® 98SE, Win® 2000, Win® Me, Win® XP
 - Linux kernel 2.4 or later

Features

- Front Panel: Black
- Single Power Supply: 3.3V / 5V ± 10%
- Durability of Connector: 10,000 times
- Recommended Operating Temperature: 0 – 40
- Recommended Storage Temperature: -10 – 60
- Compliant with USB specification version 2.0
- Hi-Speed with transfer rate up to 480 Mbps
- Support CompactFlash™ Type I/II, IBM Microdrive™, SmartMedia™ Card, Secure Digital, Mini SD (with adapter), MultiMediaCard™, RS-MMC (with adapter), Memory Stick®, Memory Stick PRO®, Memory Stick Duo® (with adaptor) and Memory Stick PRO Duo® (with adaptor)
- LEDs indicate card insertion and data traffic

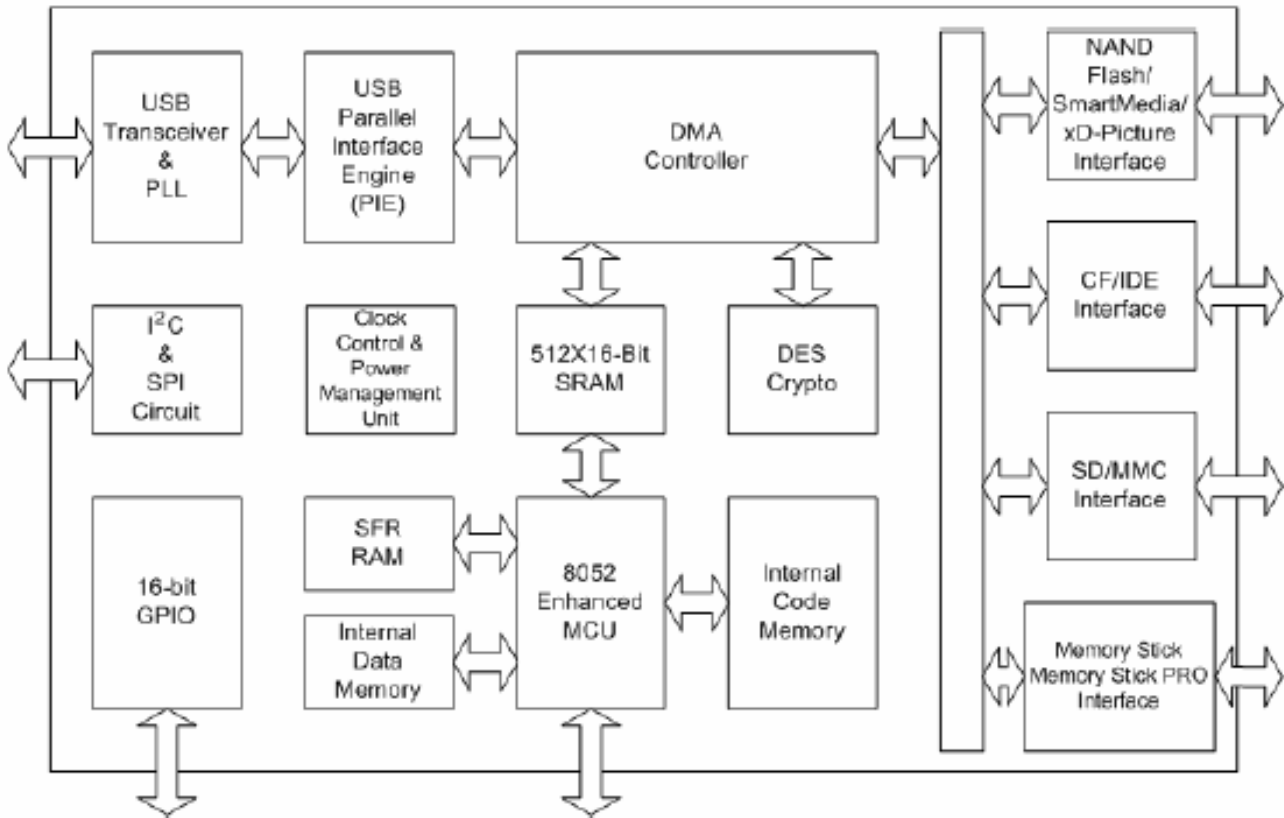
Dimensions

Side	Millimeters	Inches
A	102.00 ± 1.00	4.02 ± 0.04
B	102.00 ± 1.00	4.02 ± 0.04
C	26.00 ± 1.00	1.02 ± 0.04

TS0MFLRD8B

USB2.0 Internal Multi-Card Reader

Block Diagram



Pinouts

Pin No.	Pin Name
01	VCC
02	USB-
03	USB+
04	VSS
05	NC / SG

Pin Identification

Symbol	Function
USB- USB+	USB differential signal: The pairs are used to transmit Data/Address/Command
VSS	Ground
VCC	USB Power Input
NC / SG	Not Connect / Shield Ground

TS0MFLRD8B

USB2.0 Internal Multi-Card Reader

Absolute Maximum Ratings

Symbol	Parameter	Min.	Max.	Unit
Vcc	Input Voltage	2.6	5	V
Vss	Input Ground Voltage	0	0.7	V
Ta	Operating Temperature	0	+40	°C
Ts	Storage Temperature	-10	+60	°C

DC Characteristics

(Ta = 0 °C to +40 °C, Vcc = 5V, Freq = 12MHz)

Symbol	Parameter	Min.	Typ.	Max.	Unit	Test Conditions
Vs	Supply Voltage	3.0	3.3	3.6	V	--
Voh	Output High Voltage	3.0	--	--	V	--
Vol	Output High Voltage	--	--	0.2	V	--

Above technical information is based on industry standard data and tested to be reliable. However, Transcend makes no warranty, either expressed or implied, as to its accuracy and assumes no liability in connection with the use of this product. Transcend reserves the right to make changes in specifications at any time without prior notice.