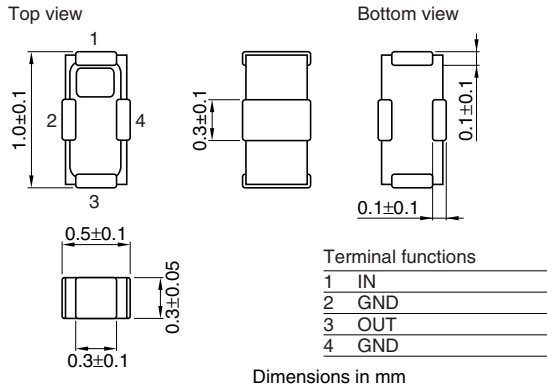


Thin-Film Band Pass Filters For Bluetooth & 2.4GHz W-LAN

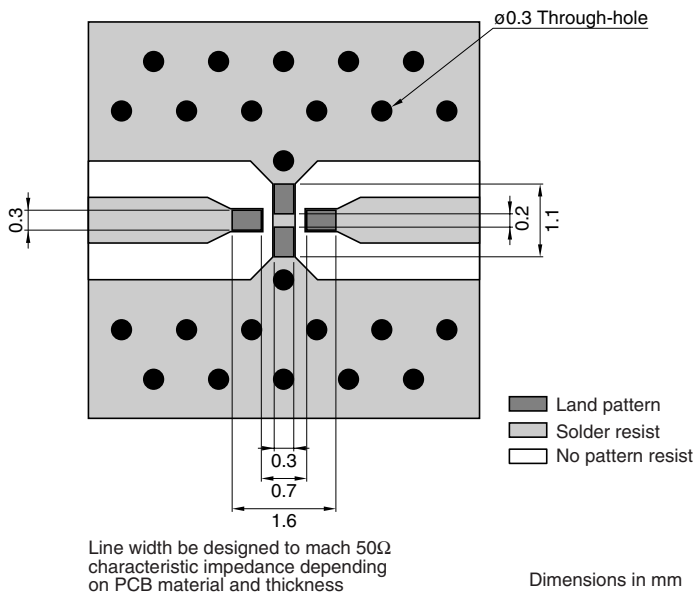
Conformity to RoHS Directive

TFS Series TFSB10052450-1003A1

SHAPES AND DIMENSIONS



RECOMMENDED PC BOARD PATTERNS



ELECTRICAL CHARACTERISTICS

Item			Minimum value	Typical value	Maximum value
Insertion loss	[2400 to 2500MHz]	(dB)	—	2.8	3.5
		(dB)	9	14.0	—
Return loss	[1900MHz]	(dB)	30	43.1	—
	[4800MHz]	(dB)	30	49.7	—
	[7200MHz]	(dB)	22	48.5	—
Temperature range	Operating	(°C)	-40	—	+85
	Storage	(°C)	-40	—	+85

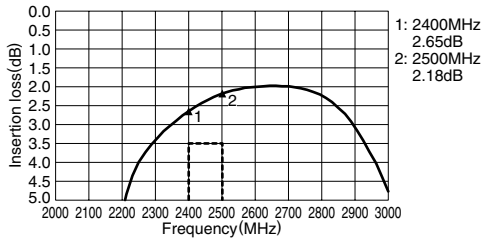
• Ta: +25°C

• Conformity to RoHS Directive: This means that, in conformity with EU Directive 2002/95/EC, lead, cadmium, mercury, hexavalent chromium, and specific bromine-based flame retardants, PBB and PBDE, have not been used, except for exempted applications.

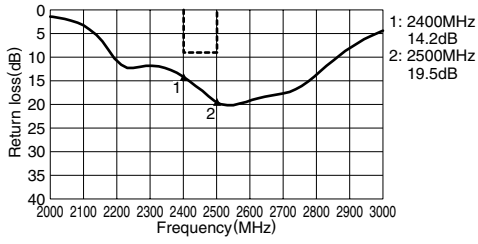
• All specifications are subject to change without notice.

FREQUENCY CHARACTERISTICS

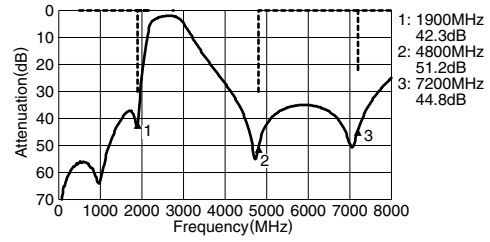
INSERTION LOSS



RETURN LOSS



ATTENUATION



VSWR

