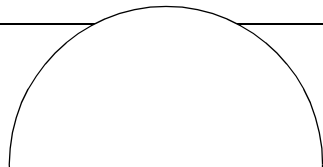




Series 3100

*Quick Reference • Guide utilisateur • Kurzübersicht
Guida rapida • Guía rapida • Quick Reference
Quick Reference • Guide utilisateur • Kurzübersicht
Guida rapida • Guía rapida • Quick Reference
Quick Reference • Guide utilisateur • Kurzübersicht
Guida rapida • Guía rapida • Quick Reference
Quick Reference • Guide utilisateur • Kurzübersicht
Guida rapida • Guía rapida • Quick Reference
Quick Reference • Guide utilisateur • Kurzübersicht
Guida rapida • Guía rapida • Quick Reference
Quick Reference • Guide utilisateur • Kurzübersicht
Guida rapida • Guía rapida • Quick Reference
Quick Reference • Guide utilisateur • Kurzübersicht
Guida rapida • Guía rapida • Quick Reference
Quick Reference • Guide utilisateur • Kurzübersicht
Guida rapida • Guía rapida • Quick Reference
Quick Reference • Guide utilisateur • Kurzübersicht
Guida rapida • Guía rapida • Quick Reference
Quick Reference • Guide utilisateur • Kurzübersicht
Guida rapida • Guía rapida • Quick Reference*

Quick Reference



© 2002 SYMBOL TECHNOLOGIES, INC. All rights reserved.

Symbol reserves the right to make changes to any product to improve reliability, function, or design.

Symbol does not assume any product liability arising out of, or in connection with, the application or use of any product, circuit, or application described herein.

No license is granted, either expressly or by implication, estoppel, or otherwise under any patent right or patent, covering or relating to any combination, system, apparatus, machine, material, method, or process in which Symbol products might be used. An implied license exists only for equipment, circuits, and subsystems contained in Symbol products.

Symbol and the Symbol logo are registered trademarks of Symbol Technologies, Inc. Other product names mentioned in this manual may be trademarks or registered trademarks of their respective companies and are hereby acknowledged.

Symbol Technologies, Inc.
One Symbol Plaza
Holtsville, N.Y. 11742-1300
<http://www.symbol.com>

Patents

This product is covered by one or more of the following U.S. and foreign Patents:

U.S. Patent No. 4,496,831; 4,593,186; 4,603,262; 4,607,156; 4,652,750; 4,673,805; 4,736,095; 4,758,717; 4,760,248; 4,806,742; 4,816,660; 4,845,350; 4,896,026; 4,897,532; 4,923,281; 4,933,538; 4,992,717; 5,015,833; 5,017,765; 5,021,641; 5,029,183; 5,047,617; 5,103,461; 5,113,445; 5,130,520; 5,140,144; 5,142,550; 5,149,950; 5,157,687; 5,168,148; 5,168,149; 5,180,904; 5,216,232; 5,229,591; 5,230,088; 5,235,167; 5,243,655; 5,247,162; 5,250,791; 5,250,792; 5,260,553; 5,262,627; 5,262,628; 5,266,787; 5,278,398; 5,280,162; 5,280,163; 5,280,164; 5,280,498; 5,304,786; 5,304,788; 5,306,900; 5,321,246; 5,324,924; 5,337,361; 5,367,151; 5,373,148; 5,378,882; 5,396,053; 5,396,055; 5,399,846; 5,408,081; 5,410,139; 5,410,140; 5,412,198; 5,418,812; 5,420,411; 5,436,440; 5,444,231; 5,449,891; 5,449,893; 5,468,949; 5,471,042; 5,478,998; 5,479,000; 5,479,002; 5,479,441; 5,504,322; 5,519,577; 5,528,621; 5,532,469; 5,543,610; 5,545,889; 5,552,592; 5,557,093; 5,578,810; 5,581,070; 5,589,679; 5,589,680; 5,608,202; 5,612,531; 5,619,028; 5,627,359; 5,637,852; 5,664,229; 5,668,803; 5,675,139; 5,693,929; 5,698,835; 5,705,800; 5,714,746; 5,723,851; 5,734,152; 5,734,153; 5,742,043; 5,745,794; 5,754,587; 5,762,516; 5,763,863; 5,767,500; 5,789,728; 5,789,731; 5,808,287; 5,811,785; 5,811,787; 5,815,811; 5,821,519; 5,821,520; 5,823,812; 5,828,050; 5,848,064; 5,850,078; 5,861,615; 5,874,720; 5,875,415; 5,900,617; 5,902,989; 5,907,146; 5,912,450; 5,914,478; 5,917,173; 5,920,059; 5,923,025; 5,929,420; 5,945,658; 5,945,659; 5,946,194; 5,959,285; 6,002,918; 6,021,947; 6,031,830; 6,036,098; 6,047,892; 6,050,491; 6,053,413; 6,056,200; 6,065,678; 6,067,297; 6,068,190; 6,082,621; 6,084,528; 6,088,482; 6,092,725; 6,101,483; 6,102,293; 6,104,620; 6,114,712; 6,115,678; 6,119,944; 6,123,265; 6,131,814; 6,138,180; 6,142,379; 6,172,478; 6,176,428; 6,178,426; 6,186,400; 6,188,681; 6,209,788; 6,216,951; 6,220,514; 6,243,447; 6,244,513; 6,247,647; 6,308,061; 6,250,551; 6,295,031; D305,885; D341,584; D344,501; D359,483; D362,453; D363,700; D363,918; D370,478; D383,124; D391,250; D405,077; D406,581; D414,171; D414,172; D418,500; D419,548; D423,468; D424,035; D430,158; D430,159; D431,562; D436,104.

Invention No. 55,358; 62,539; 69,060; 69,187 (Taiwan); No. 1,601,796; 1,907,875; 1,955,269 (Japan); European Patent 367,299; 414,281; 367,300; 367,298; UK 2,072,832; France 81/03938; Italy 1,138,713.

rev. 11/01

Quick Reference

Introduction

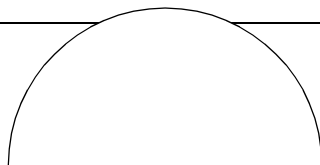
The Series 3100 terminals are lightweight, battery powered, hand-held computer systems. Data can be entered using the terminal keyboard, the integrated laser scanner, or the tethered bar code scanners.

The Series 3100 includes both batch and radio terminals. The PDT 3100 performs direct communications. The PDT 3110 and 3124 perform Spectrum One radio communications. The PDT 3140 performs Spectrum 24 radio communications. All Series 3100 terminals can be used as remote terminals for collecting and storing data that is later uploaded to a host computer.

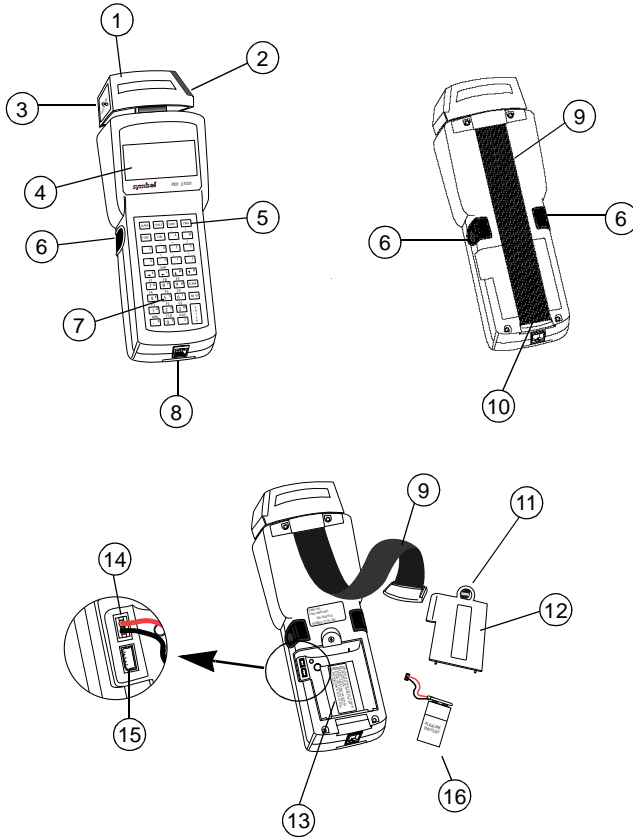
About this Guide

This guide presents information on the parts of a Series 3100 terminal and instructions for the following procedures:

- Powering the terminal on and off
- Performing communications
- Charging the batteries
- Replacing the batteries
- Connecting the modems
- Connecting the terminal to a printer
- Configuring the scanner trigger
- Attaching a tethered scanner
- Using the scanners



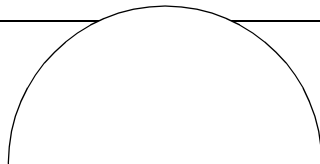
Parts of the Series 3100 Terminal



Quick Reference

Parts of the Series 3100 terminal include:

1. Integrated Rotatable Laser Scanner
2. Scanner Window
3. Scanner LED
4. LCD Display Screen
5. PWR Key
6. Alpha/Scanner Triggers
7. Keyboard
8. Serial Port (RJ-41)
9. Hand Strap
10. Hand Strap Hook
11. Battery Compartment Latch
12. Battery Compartment Cover
13. Battery Compartment
14. Alkaline Battery Socket
15. Rechargeable NiCd Battery Socket
16. Battery



Power On and Off

Note: *If the terminal is powered by a NiCd battery, charge the battery fully before using the terminal.*

To turn the terminal on or off, press **PWR**.

Battery Charging and Communications

To charge the PDT 3100's batteries or perform communications, you have the option of using either a 31XX cradle or the 3115 Communications/Charger Adapter.

3115 Communications/Charger Adapter

The Series 3100 has an optional communications/charger adapter (CCA) that facilitates communication with a host when no cradle is available, and provides power to the terminal from a wall-mounted power supply for battery charging during terminal use and flash EPROM programming.

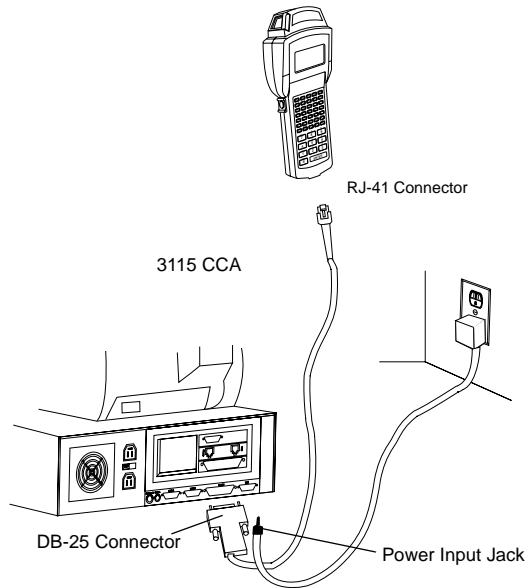
Battery Charging

To provide power directly to a terminal for charging the NiCd battery:

1. Plug the 10-pin RJ41 connector into the base of the Series 3100 terminal.
2. Plug the connector from the 15V power supply, P/N 55915-00-00 (US, 115V) or 60507-00-00 (International, 230V) into the power input jack (J1) on the CCA.

Quick Reference

3. Plug the power supply into a wall socket.



NiCd batteries require 12 to 16 hours to recharge fully. The terminals may be used while the battery is being charged.

Note: *Alkaline batteries cannot be charged in the terminal.*

To charge the batteries more quickly, use the cradle as detailed in *31XX Cradles, Battery Charging*.

Communications

Note: *It is NOT necessary to connect the terminal to a power source for communications.*

To communicate with a PC or printer:

1. Plug the 10-pin RJ41 connector into the base of a Series 3100 terminal.
2. Plug the DB25 connector into the host's communications port.

To connect the CCA to a modem:

1. Plug the 10-pin RJ41 connector into the base of a Series 3100 terminal.
2. Insert a female-to-male gender changer on the female DB25 connector before plugging the connector into the modem.

Note: *The CCA is shipped set for RS-232 communications with a PC. To use the CCA with a modem or printer may require changing the internal communications settings. Refer to the installation instructions (P/N 70-11314-01).*

31XX Cradles

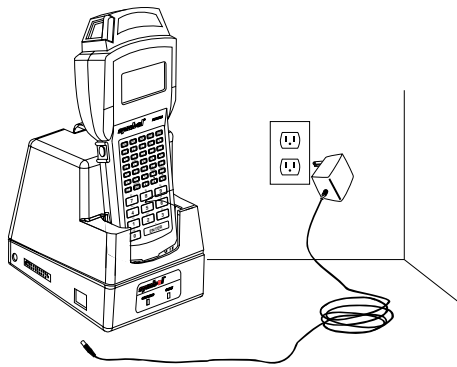
The single-slot and four-slot cradles are optional devices used for charging the batteries and performing host communication with the terminal.

Battery Charging

To recharge the NiCd battery pack in the cradle:

1. Plug the power supply cord round plug in the power connector on the side of the cradle.
2. Connect the power supply cord AC plug to a standard electrical outlet.
3. Place the terminal in the cradle.

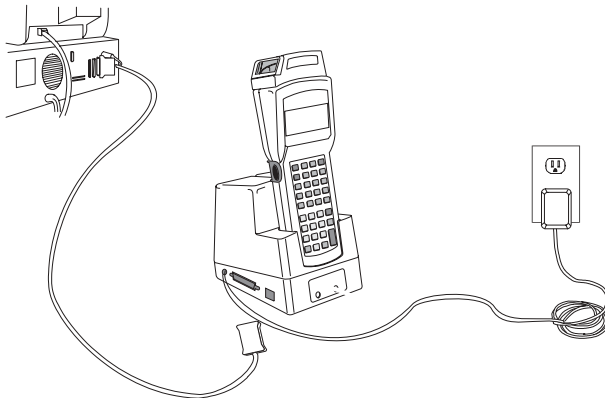
The battery pack is fully charged in approximately 90 minutes.



Communications

To communicate using the cradle:

1. Perform Steps 1 - 2 from the section *Battery Charging*.
2. Connect the cradle to the host computer using a null modem cable
3. Insert the terminal in the cradle and perform the communication steps as detailed in the *Series 3100 System Administration Manual* (P/N 62605-00-90) or *Series 3000 Application Programmer's Guide* (P/N 59045-00-92).



4. If the cradle is equipped with a modem (single-slot cradles only), connect it directly to the telephone wall jack and proceed as directed in the *Series 3100 System Administration Manual*.

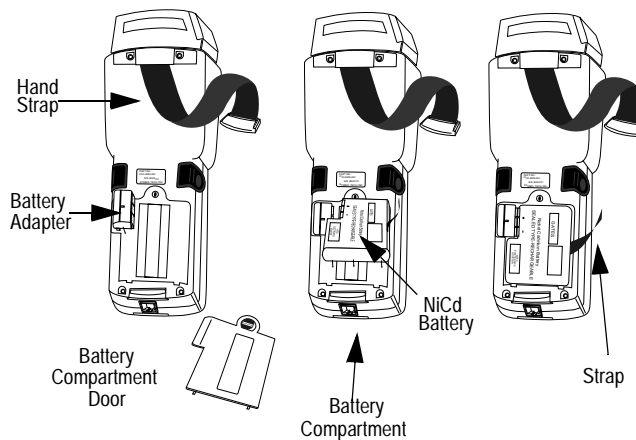
For more information on the single- and four-slot cradles, refer to the *3165/3166 Cradle Base Modules Quick Reference Guide* (P/N 70-11313-xx).

Quick Reference

Replacing the Batteries

To replace the NiCd or NiMH battery:

1. Turn the terminal off.
2. Release the hand strap, unlock the battery compartment door and remove it.



3. Position the battery adapter in holding plug and press into place.
4. Fit the NiCd or NiMH battery pack in compartment next to adapter. Verify that removal strap is accessible (not tucked under battery), before pressing battery in place.

Note: *NiMH batteries cannot be charged in the terminal through the Communications/Charger Adapter.*

5. Verify that battery and adapter are properly seated.
6. Replace and lock battery compartment door.
7. Replace handstrap.

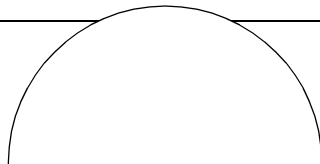
Connecting the Modems

Direct Connect

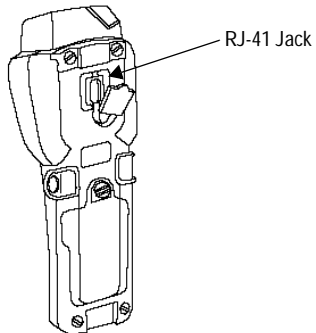
Some terminals use an optional internal modem that communicates at rates of up to 14,400 bps (with v.32 bis data compression). There are specific firmware settings which are used to configure the modem's hardware and software for proper operation and regulatory compliance. The terminal's application can control these settings and enable you to view and amend the settings for country/region, pulse/tone dialing, or repeat dial timing. Incorrectly defining these settings can lead to illegal use of the modem and can create unreliable operation. The application developer should consult the Series 3000 Application Programmer's Reference Manual for correct settings.

If your terminal is equipped with a direct connect modem, connect the modem as follows:

1. Turn the terminal off.
2. Release the hand strap on the back of the terminal.



3. Detach the protective plug covering the modem jack on the back of the terminal and plug in one of the telephone cord's connectors.



4. Plug the cord's other connector into a telephone jack.
5. Turn the terminal back on.

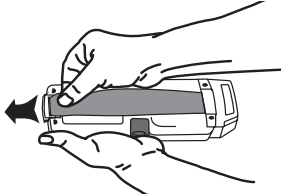
Quick Reference

Acoustic

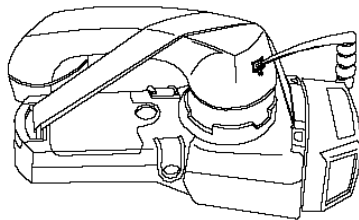
Some Series 3100 terminals are equipped with a built-in acoustic modem which allows direct data transmission over a telephone line.

If your terminal is equipped with an acoustic modem, connect the modem as follows:

1. Turn the terminal off.
2. Release the hand strap on the back of the terminal.



3. Slide the mouthpiece of the telephone into position on the muff. Place the hand strap over the telephone handset as shown below and reattach the strap.
4. Turn the terminal back on.

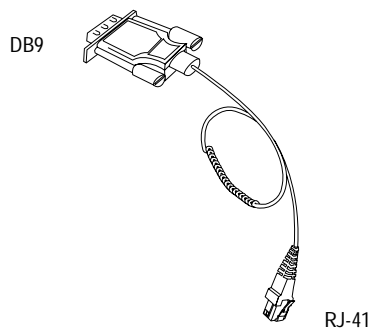


Connecting the Terminal to a Printer

The Series 3100 has an optional cable (p/n 25-10413-01) which is used to connect the terminal to a PS-1000 Series printer or a tethered PS-200 printer (P/N 20-11062-03).

To connect the terminal to one of the printers listed above:

1. Plug the 10-pin RJ41 connector into the base of a Series 3100 terminal.
2. Plug the DB9 connector in the communications port on the printer.

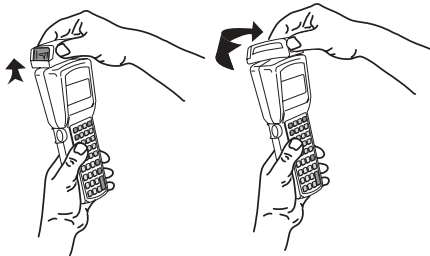


Quick Reference

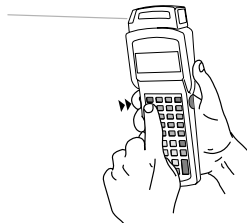
Using the Integrated Laser Scanner

The integrated scanner has a unique trigger that the operator can configure. To select the trigger and use the integrated laser scanner:

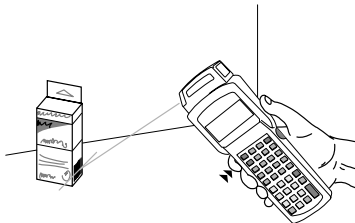
1. Power on the system and scanner by pressing **PWR** or the scanner trigger.
2. Lift and turn the scanner to the direction you wish to scan. The scanner turns toward the back of the terminal.



3. Press the **FUNC** key and the trigger you are most comfortable using (see the figure below). This selects the scanner trigger. The other trigger defaults to an **ALPHA** shift key on the 35-key terminal.



4. Point the scanner at the bar code and press the trigger or press the soft trigger key (ENTER). The thin, red laser beam covers the entire length of the bar code.



The terminal indicates a successful scan by illuminating the green scanner LED, beeping one or more times, and/or displaying the decoded bar code on the screen.

Quick Reference

Connecting and Using a Tethered Scanner

To attach a wand or laser scanner to the Series 3100 terminal:

1. Turn the system off.
2. Remove the plastic cap in the top of the terminal.
3. Plug the scanner into the top of the terminal as shown below.



4. Aim the scanner at the bar code and press the trigger.

Note: *Depending on your application, you may need to turn on the terminal before using the scanners.*

5. If using a wand scanner, lightly touch the scanner tip to the white space at the left side of the bar code and move it to the right.

IEC825/EN60825 Class 1 Scanner

Series 3100 terminals are equipped with an IEC825/EN60825 scanner operate on an emissions accumulator or “gas tank” which determines the amount of scan time that you have available. To meet low power consumption standards, the scanner cannot scan continuously.

If the gas tank runs out of scan time, the terminal emits a long low beep. Release the scan trigger and wait until the terminal emits a long high beep, indicating that it accrued enough scan time for you to resume scanning.

Introduction

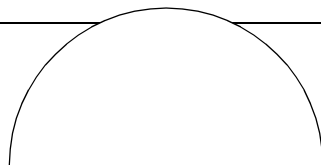
Les terminaux de la série 3100 sont des ordinateurs portables, légers, alimentés par batterie. Ils permettent de saisir des données à l'aide du clavier du terminal, du lecteur laser intégré ou d'un lecteur de codes à barres raccordé par câble.

La série 3100 comprend des terminaux batch et radio. Le terminal PDT 3100 gère les communications directes, les modèles PDT 3110 et 3124 les communications radio Spectrum One, et le PDT 3140 les communications radio Spectrum 24. Tous les terminaux 3100 peuvent être utilisés comme terminaux distants pour la collecte et le stockage des données qui seront ensuite téléchargées sur un ordinateur central.

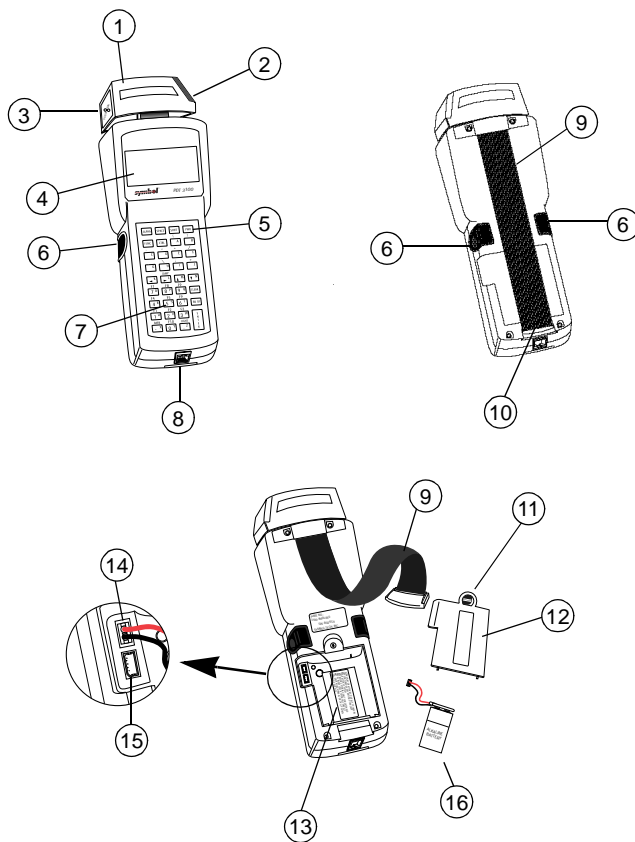
Objet de ce guide

Ce guide décrit les différents composants du terminal 3100 et fournit des instructions relatives aux opérations suivantes

- Position marche/arrêt
- Communications
- Charge des batteries
- Remplacement des batteries
- Raccordement des modems
- Raccordement d'une imprimante au terminal
- Configuration de la gâchette du lecteur
- Branchement d'un lecteur raccordé par câble
- Utilisation des lecteurs

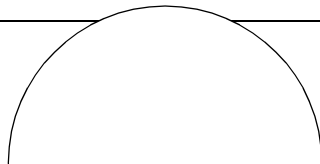


Composants du terminal 3100



Composants du terminal 3100 :

1. Tête de lecture laser pivotante intégrée
2. Fenêtre du lecteur
3. Témoin du lecteur
4. Ecran LCD
5. Touche PWR
6. Gâchettes Alpha/lecteur
7. Clavier
8. Port série (RJ-41)
9. Sangle
10. Crochet de sangle
11. Verrou du logement de batterie
12. Trappe du logement de batterie
13. Logement de batterie
14. Prise pour pile alcaline
15. Prise pour batterie NiCd rechargeable
16. Batterie



Marche/arrêt

Remarque: *si le terminal est alimenté par une batterie NiCd, chargez-la complètement avant d'utiliser le terminal.*

Pour mettre le terminal en marche ou l'arrêter, appuyez sur la touche **PWR**.

Charge de la batterie et communications

Pour charger les batteries du PDT 3100 ou établir une communication, vous pouvez utiliser un puits de chargement 31XX ou l'adaptateur 3115 Communication/charge.

Adaptateur 3115 Communication/charge

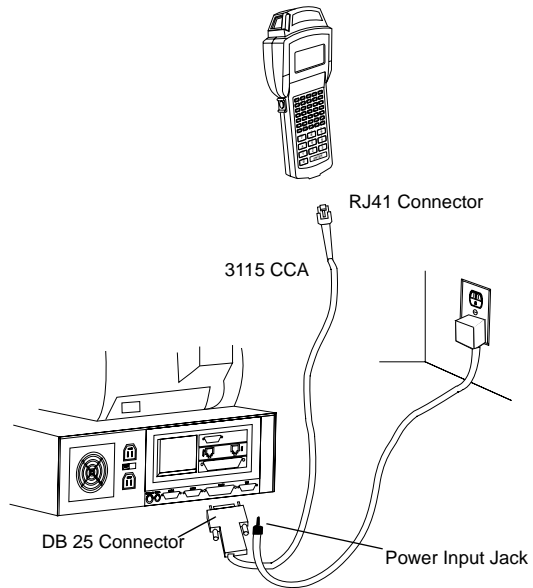
Le 3100 peut être utilisé avec un adaptateur CCA (Communication/charge) optionnel qui assure les communications avec l'ordinateur central lorsqu'aucun puits de chargement n'est disponible, et alimente le terminal à partir d'une alimentation pendant la période d'utilisation du terminal et la programmation flash EPROM.

Mise en charge des batteries

Pour alimenter directement le terminal et charger les batteries NiCd :

1. Branchez le connecteur RJ41 à 10 broches dans la base du terminal 3100.
2. Branchez le connecteur d'alimentation 15V, P/N 55915-00-00 (USA, 115V) ou 60507-00-00 (International, 230V) dans la prise d'alimentation (J1) du CCA.

3. Branchez le cordon d'alimentation sur secteur.



La charge complète des batteries NiCd nécessite 12 à 16 heures. Vous pouvez cependant utiliser les terminaux pendant la charge des batteries.

Remarque: *Les piles alcalines ne peuvent pas être chargées dans le terminal.*

Pour accélérer la charge des batteries, utilisez le puits de chargement selon les indications spécifiées dans les

paragraphes *Puits de chargement 31XX, Mise en charge des batteries.*

Communications

Remarque: *Il n'est pas nécessaire de raccorder le terminal à une alimentation pour établir une communication.*

Procédure de communication avec un PC ou une imprimante :

1. Branchez le connecteur RJ41 à 10 broches dans la base du terminal 3100.
2. Branchez le connecteur DB25 dans le port de communication de l'ordinateur central.

Procédure de raccordement du CCA à un modem :

1. Branchez le connecteur RJ41 à 10 broches dans la base du terminal 3100.
2. Insérez un adaptateur femelle/mâle dans le connecteur DB25 femelle avant de brancher le connecteur sur le modem.

Remarque: *Le CCA est configuré pour des communications RS-232 avec un PC. Pour utiliser le CCA avec un modem ou une imprimante, il peut s'avérer nécessaire de modifier les paramètres de communication internes. Reportez-vous aux instructions d'installation (P/N 70-11314-01).*

Puits de chargement 31XX

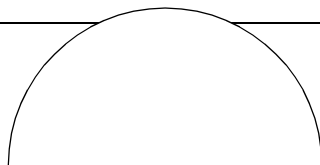
Les puits de chargement à une ou quatre positions sont des accessoires disponibles en option permettant la charge des batteries et les communications entre l'ordinateur central et le terminal.

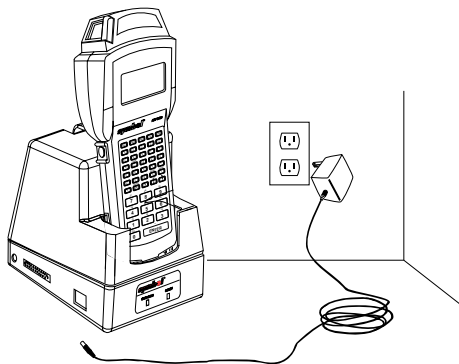
Mise en charge des batteries

Pour recharger le pack de batterie NiCd dans le puits de chargement :

1. Brancher la fiche d'alimentation ronde dans le connecteur situé sur le côté du puits.
2. Brancher le cordon d'alimentation (CA) sur secteur.
3. Placer le terminal dans le puits de chargement.

La charge complète des batteries nécessite environ 90 minute.



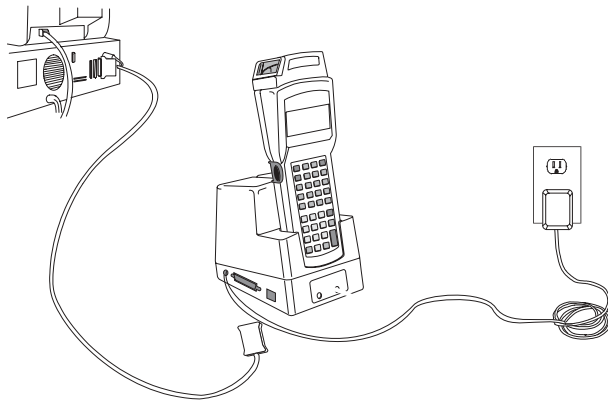


Communications

Pour communiquer avec le puits de chargement :

1. Suivez les étapes 1 et 2 du paragraphe *Mise en charge des batteries*.
2. Raccordez le puits de chargement à l'ordinateur récepteur au moyen d'un câble null modem.
3. Insérez le terminal dans le puits et suivez la procédure de communication décrite dans le *Manuel de gestion du*

système 3100 (P/N 62605-00-90) ou dans le Guide du programmeur des applications série 3000 (P/N 59045-00-92).



4. Si le puits de chargement est équipé d'un modem (puits de chargement à une position seulement), connectez-le directement à la prise téléphonique et suivez les procédures indiquées dans le *Manuel de gestion du système 3100*.

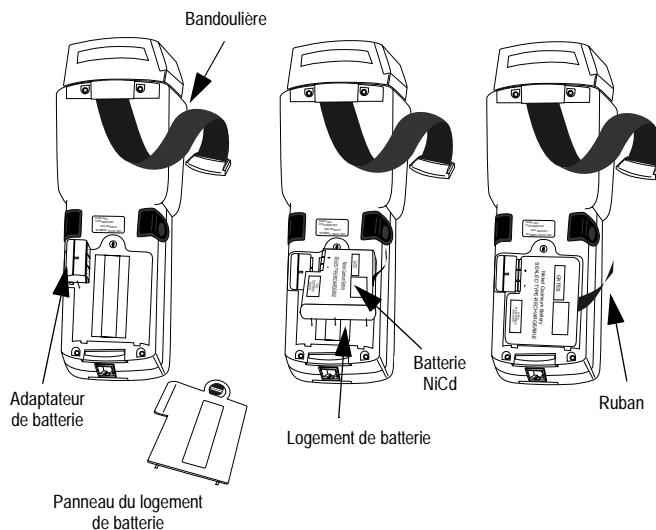
Pour plus d'informations sur les puits de chargement à une ou quatre positions, consultez le Guide utilisateur des puits de chargement (P/N 70-11313-xx).

Remplacement des piles

Pour remplacer la batterie NiCd ou NiMH procédez de la manière suivante :

1. Mettez le terminal hors tension.

- Retirez la sangle, déverrouillez la trappe du logement de pile et retirez-la.



- Positionnez l'adaptateur de batterie face à l'emplacement correspondant, puis insérez-le.
- Placez la batterie Nicd ou NiMH dans le logement face à l'adaptateur. Vérifiez que le ruban d'extraction est accessible et qu'il n'est pas coincé sous la batterie avant d'insérer cette dernière dans le logement.

Remarque: *il est impossible de charger les batteries dans le terminal au moyen de l'adaptateur pour puits de communication/chargement.*

- Vérifiez que la batterie et l'adaptateur sont bien en place.

6. Remettez le panneau du logement de batterie et verrouillez-le.
7. Remettez la bandoulière en place.

Raccordement des modems

Connexion directe

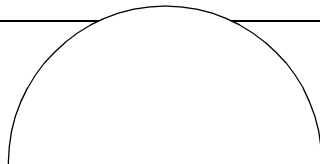
Certains puits sont équipés d'un modem interne en option ; ce modem qui communique à un débit de 14 400 bps maximum (avec une compression de données v.42 bis) peut être raccordé directement à une ligne téléphonique par l'intermédiaire du port RJ-11 figurant dans l'illustration.

Remarque : Le puits à quatre positions ne comporte pas de modem interne.

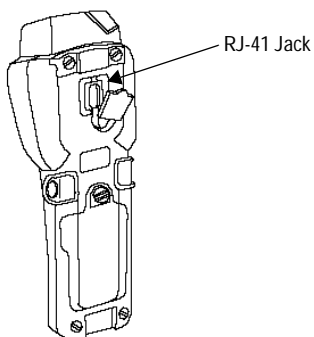
Il existe des réglages spécifiques de microprogramme destinés à configurer le matériel et le logiciel du modem afin d'assurer son fonctionnement correct et sa conformité à la réglementation. L'application du terminal peut contrôler ces réglages. Ceci vous permet de visualiser et de modifier les réglages relatifs au pays/région, à la numérotation par impulsion/tonalité ou à la durée de répétition de numérotation. Ces réglages doivent être définis correctement pour éviter une utilisation illégale du modem et des problèmes de fonctionnement. Pour connaître les réglages corrects, le concepteur de l'application devrait consulter le manuel "Series 3000 Application Programmer's Reference Manual" (manuel de référence à l'usage du programmeur d'application de la série 3000).

Si votre terminal est équipé d'un tel modem, raccordez-le en suivant la procédure suivante :

1. Mettez le terminal hors tension.
2. Retirez la sangle à l'arrière du terminal.



3. Retirez le capuchon de protection recouvrant la prise modem à l'arrière du terminal et branchez le cordon téléphonique sur l'un des connecteurs.



4. Branchez l'autre extrémité du cordon sur la prise téléphonique.
5. Mettez le terminal sous tension.

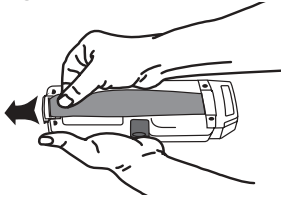
Modem acoustique

Certains terminaux de la série 3100 sont équipés d'un modem acoustique intégré permettant la transmission directe des données via une ligne téléphonique.

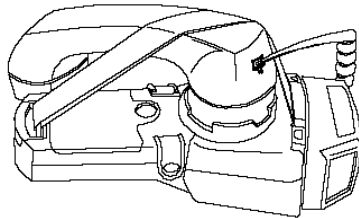
Si votre terminal est équipé d'un tel modem, raccordez-le en suivant la procédure suivante :

1. Mettez le terminal hors tension.

2. Retirez la sangle à l'arrière du terminal.



3. Positionnez le micro du téléphone face au manchon. Placez la sangle sur le combiné téléphonique comme indiqué ci-dessous et fixez-la.
4. Mettez le terminal sous tension.



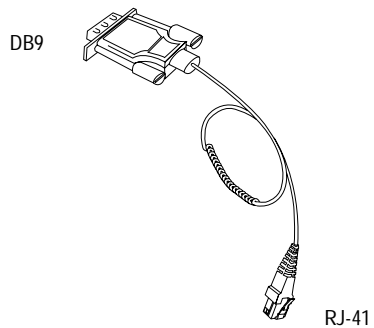
Raccordement du terminal à une imprimante

Les terminaux 3100 peuvent être équipés d'un câble optionnel (p/n 25-10413-01) permettant le raccordement à une imprimante série PS-1000 ou à une imprimante PS-200 raccordée par câble (P/N 20-11062-03).

Pour raccorder le terminal à l'une des imprimantes ci-dessus mentionnées :

1. Branchez le connecteur RJ41 à 10 broches sur la base du terminal 3100.

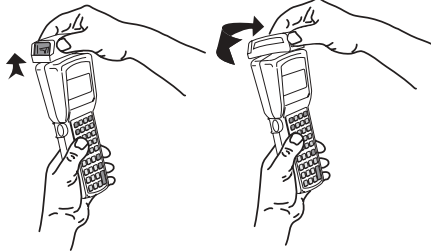
2. Branchez le connecteur DB9 sur le port de communication de l'imprimante.



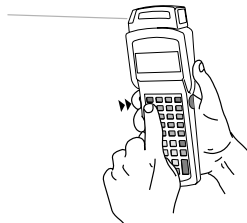
Utilisation du lecteur laser intégré

Le lecteur intégré dispose d'une gâchette simple que l'opérateur peut configurer. Pour sélectionner la gâchette et utiliser le laser intégré :

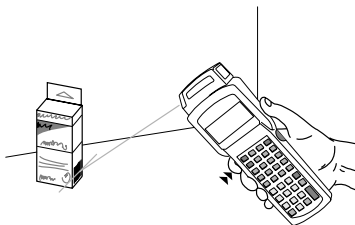
1. Mettez le système et le lecteur sous tension en appuyant sur la touche **PWR** ou sur la gâchette du lecteur.
2. Soulevez et pointez le lecteur vers l'article à décoder. Le lecteur s'oriente vers l'arrière du terminal.



3. Appuyez sur la touche **FUNC** et sur la gâchette qui vous convient le mieux (voir la figure ci-dessous). Cela permet de sélectionner la gâchette du lecteur. L'autre gâchette utilise par défaut la touche **ALPHA** du terminal à 35 touches.



4. Pointez le lecteur vers le code à barres et pressez la gâchette ou pressez la touche (ENTER). Le faisceau laser rouge recouvre la totalité du code à barres.



Lorsque le décodage est réussi, le témoin vert s'allume sur le lecteur, ce dernier émet un ou plusieurs bips et/ou affiche le code à barres décodé sur l'écran.

Branchement et utilisation d'un lecteur raccordé par câble

Pour raccorder un lecteur laser ou un crayon lecteur au terminal 3100 :

1. Mettez le système hors tension.
2. Retirez le capuchon en plastique sur la partie supérieure du terminal.
3. Branchez le lecteur sur la partie supérieure du terminal comme indiqué ci-dessous.



4. Pointez le lecteur vers le code à barres et pressez la gâchette.

Remarque: selon votre application, il peut s'avérer nécessaire de mettre le terminal en marche avant d'utiliser le lecteur.

5. Si vous utilisez un crayon lecteur, placez délicatement l'extrémité du lecteur sur l'espace vierge situé sur la gauche du code à barres, puis déplacez-le vers la droite.

Lecteur IEC825/EN60825 classe 1

Les terminaux 3100 équipés d'un lecteur IEC825/EN60825 utilisent un accumulateur ou "réservoir" qui détermine le temps de lecture qui vous est imparti. Afin d'économiser les batteries, le lecteur ne décode pas en continu.

Si le temps de lecture est dépassé, le terminal émet un bip grave prolongé. Relâchez alors la gâchette du lecteur et attendez que le terminal émette un bip aigu prolongé pour indiquer que vous pouvez reprendre la lecture.

Einführung

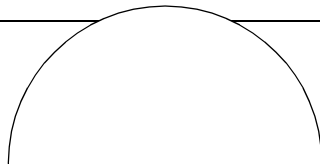
Bei den Terminals der Serie 3100 handelt es sich um leichte, batteriebetriebene Computersysteme für den Handbetrieb. Die Daten können über die Tastatur, den integrierten Laserscanner oder die Handscanner eingegeben werden.

Zur Serie 3100 zählen sowohl Stapel- als auch Funk-Terminals. Das PDT 3100 überträgt Daten direkt. Die Geräte der Serie PDT 3110 und 3124 arbeiten mit der Spectrum One Funkübertragung. Das PDT 3140 benutzt die Spectrum 24 Funkübertragung. Alle Terminals der Serie 3100 können als abgesetzte Terminals für die Erfassung und Speicherung von Daten eingesetzt werden, die anschließend in einen Host-Computer eingespeist werden können.

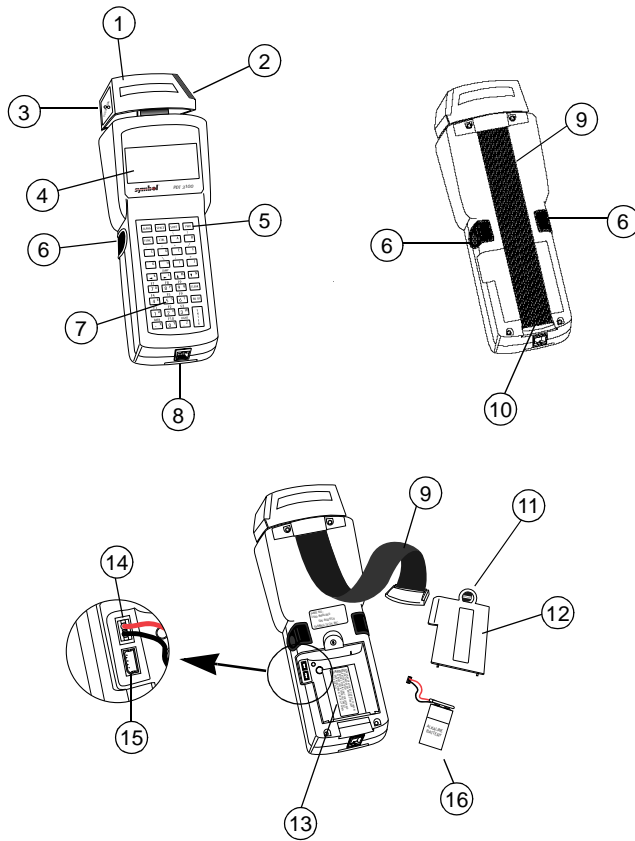
Zu dieser Kurzübersicht

Diese Kurzübersicht bietet Informationen zu den Bestandteilen der Terminal-Serie 3100 sowie Anleitungen zu den folgenden Verfahren:

- Ein- und Ausschalten des Terminals
- Aufbau von Verbindungen
- Aufladen der Akkus
- Austauschen der Akkus
- Anschließen der Modems
- Anschließen des Terminals an einen Drucker
- Konfigurieren des Scanner-Auslösers
- Anschließen eines Handscanners
- Benutzen der Scanner



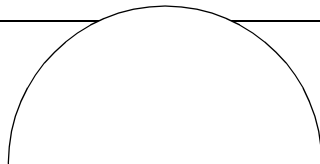
Teile des Terminals der Serie 3100



Kurzübersicht

Die Terminals der Serie 3100 bestehen aus folgenden Teilen:

1. Integrierter, drehbarer Laserscanner
2. Scannerfenster
3. Scanner-LED
4. LCD Display-Bildschirm
5. PWR-Taste
6. Alpha-/Scanner-Auslöser
7. Tastatur
8. Serielle Schnittstelle (RJ-41)
9. Handhalter
10. Aufhängung für Handhalter
11. Akkufachlasche
12. Akkufachdeckel
13. Akkufach
14. 9V-Batteriestecker
15. Stecker für den wiederaufladbaren NiCd-Akku.
16. Akku



Ein- und Ausschalten

Bitte beachten: *Soll das Terminal über einen NiCd-Akku mit Strom versorgt werden, muß der Akku vor Inbetriebnahme des Terminals vollständig geladen werden.*

Zum Ein- oder Ausschalten des Terminals drücken Sie **PWR**.

Aufladen des Akkus und Kommunikationsaufbau

Zum Aufladen des Akkus des PDT 3100 oder für den Kommunikationsaufbau haben Sie zwei Möglichkeiten: Sie können dazu einen 31XX-Cradle oder den 3115 Kommunikations-/Lade-Adapter benutzen.

3115 Kommunikations-/Ladeadapter

Zur Serie 3100 wird zusätzlich ein Kommunikations-/Ladeadapter (CCA) angeboten, der die Kommunikation mit einem Host vereinfacht, wenn kein Cradle zur Verfügung steht. Dieser Adapter versorgt das Terminal von einem an der Wand montierten Netzgerät zum Aufladen der Akkus während der Terminalbenutzung oder Flash EPROM Programmierung.

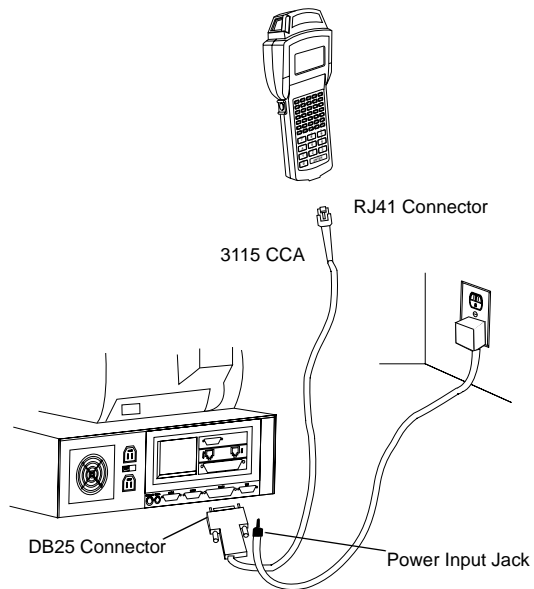
Laden des Akkus

Zur direkten Versorgung des Terminals mit Strom, um den NiCd-Akkus zu laden, gehen Sie wie folgt vor:

1. Stecken Sie den 10-poligen RJ41-Stecker in die entsprechende Buchse des Terminals der Serie 3100.
2. Stecken Sie den Stecker einer 15 V Netzversorgung (P/N 55915-00-00 (US, 115 V) oder 60507-00-00 (International, 230 V) in die Eingangsbuchse (J1) des Kommunikations-/Ladeadapters (CCA).

Kurzübersicht

- Schließen Sie das Netzgerät an eine Wandsteckdose an.



Das vollständige Aufladen der NiCd-Akkus nimmt 12 bis 16 Stunden in Anspruch. Die Terminals können während des Ladevorganges benutzt werden.

Bitte beachten: Die Batterien können nicht im Terminal aufgeladen werden..

Zum schnelleren Aufladen der Akkus benutzen Sie den Cradle und gehen gemäß den Anleitungen in *31xx Cradles, Battery Charging* vor.

Aufbau von Verbindungen

Bitte beachten: *Zu Kommunikationszwecken ist es NICHT erforderlich, das Terminal an eine Netzquelle anzuschließen.*

Zum Anschließen an einen PC oder Drucker gehen Sie wie folgt vor:

1. Stecken Sie den 10-poligen PJ41-Stecker in die entsprechende Buchse des Terminals der Serie 3100.
2. Stecken Sie den DB25-Stecker in die Anschlußbuchse des Host-Computers.

Zum Anschließen eines Kommunikations-/Ladeadapters (CCA) an ein Modem gehen Sie wie folgt vor:

1. Stecken Sie den 10-poligen PJ41-Stecker in die entsprechende Buchse des Terminals der Serie 3100.
2. Stecken Sie einen Übergangstecker in die DB25-Buchse, bevor Sie den Stecker in das Modem einstecken.

Bitte beachten: *Der Kommunikations-/Ladeadapter (CCA) ist serienmäßig mit einer RS-232-Schnittstelle zum Anschluß an einen PC ausgestattet. Die Verwendung eines Kommunikations-/Ladeadapters (CCA) in Verbindung mit einem Modem oder Drucker macht es unter Umständen erforderlich, die internationalen Kommunikationseinstellungen zu ändern. Beachten Sie hierzu die Installationsanweisungen (P/N 70-11314-01).*

Kurzübersicht

31XX Cradle

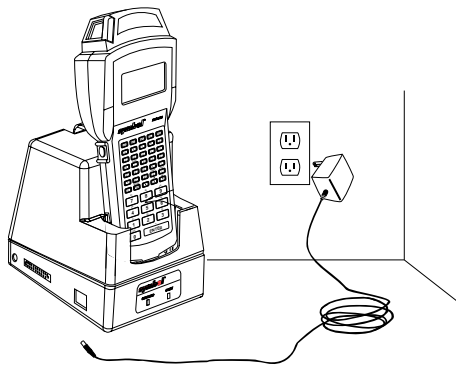
Die mit einem oder vier Steckplätzen ausgestatteten Cradles sind zusätzliche Geräte, die für das Laden der Akkus und für die Host-Kommunikation mit dem Terminal eingesetzt werden.

Laden des Akkus

Zum Laden des NiCd-Akkus im Cradle gehen Sie wie folgt vor:

1. Stecken Sie den runden Netzstecker in den Netzanschluß auf der Seite des Cradles.
2. Stecken Sie den Wechselspannungsstecker des Netzteils in eine standardmäßige Wandsteckdose.
3. Plazieren Sie das Terminal im Cradle.

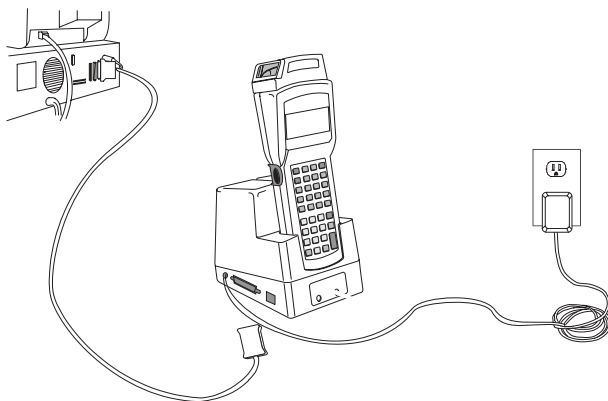
Das vollständige Aufladen eines Akkusatzes dauert ca. 90 Minuten.



Kommunikationsaufbau

Zum Kommunikationsaufbau mittels des Cradles gehen Sie wie folgt vor:

1. Führen Sie die Schritte 1 - 2 gemäß des Abschnitts *Aufladen der Akkus* durch.
2. Schließen Sie den Cradle mit einem Null-Modem-Kabel an den Host-Computer an.
3. Plazieren Sie das Terminal im Cradle, und führen Sie die Schritte durch, die in den folgenden Handbüchern dargestellt sind: *Series 3100 System Administration Manual* (P/N 62605-00-90) [*Systemverwaltungshandbuch der Serie 3100*] oder *Series 3000 Application Programmer's Guide* (P/N 59045-00-92) [*Leitfaden für Anwendungsprogrammierer der Serie 3000*].



4. Sofern der Cradle mit einem Modem ausgestattet ist (nur Cradle mit einem Steckplatz), schließen Sie diesen direkt an eine Telefondose an, und befolgen Sie die Anleitungen

Kurzübersicht

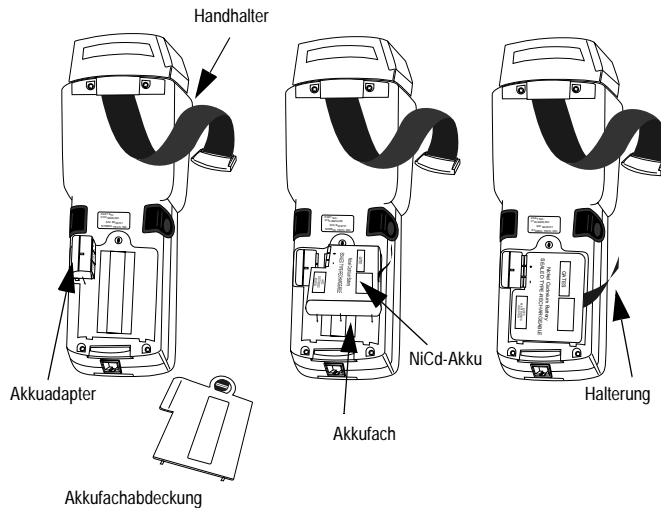
im *Series 3100 System Administration Manual [Systemverwaltungshandbuch zur Serie 3100]*.

Weitere Informationen zu Cradles mit einem oder vier Steckplätzen entnehmen Sie der Kurzübersicht *3165/3166 Cradle Base Modules Quick Reference Guide (P/N 70-11313-xx)* [Kurzübersicht zu den Cradle-Basismodulen].

Austauschen der Batterien

Austauschen des NiCd- oder NiMH-Akkus:

1. Schalten Sie das Terminal ab.
2. Lösen Sie die Handhalterung, entriegeln Sie das Batteriefach, und nehmen Sie es ab.



3. Positionieren Sie den Akkuadapter in den Arretierungsstecker, und drücken Sie ihn fest ein.
4. Setzen Sie den NiCd- oder NiMH-Akkusatz in das Fach neben dem Adapter. Achten Sie vor dem Hineindrücken des Akkus, daß der Herausnahmestreifen zugänglich ist und nicht vom Akku verdeckt wird.

Bitte beachten: *NiMH-Akkus können nicht im Terminal über den Kommunikations-/Ladeadapter aufgeladen werden.*

5. Prüfen Sie nach, ob Akku und Adapter fest sitzen.
6. Setzen Sie die Abdeckung des Akkufaches wieder ein, und verschließen Sie diese.
7. Bringen Sie den Handhalter wieder an.

Anschließen der Modems

Direktanschluß

Einige Ladestationen benutzen ein optional eingebautes Modem, das mit einer Übertragungsrate von bis zu 14.400 bps (bei v.42 bis Datenkompression) arbeitet. Wie in der Abbildung gezeigt, kann es durch den RJ-11-Port direkt mit einer Telefonleitung verbunden werden.

Hinweis: Die Ladestation mit vier Fächern hat kein eingebautes Modem.

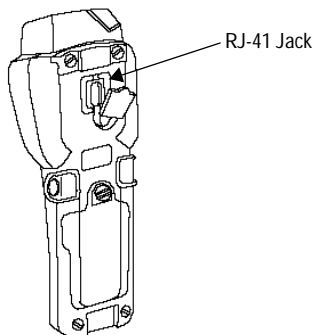
Es gibt spezifische Firmware-Einstellungen, die benutzt werden, um die Hard- und Software des Modems für einen korrekten Betrieb unter Einhaltung der gesetzlichen Vorschriften zu konfigurieren. Die Terminal-Anwendung

Kurzübersicht

erlaubt es, diese Einstellungen zu steuern und ermöglicht es Ihnen, die Einstellungen für Land/Region, Puls-/Ton-Wählbetrieb oder die Zeiteinstellung der Wahlwiederholung zu sehen und zu verändern. Eine falsche Definierung dieser Einstellungen kann zu unsachgemäßem Gebrauch des Modems führen und einen unzuverlässigen Betrieb verursachen. Für die korrekten Einstellungen sollten Anwendungsentwickler das 'Series 3000 Application Programmer's Reference Manual' (Referenzhandbuch zur Anwendungsentwicklung - Serie 3000) zu Rate ziehen.

Sollte Ihr Terminal mit einem Direktanschlußmodem ausgestattet sein, schließen Sie das Modem wie folgt an:

1. Schalten Sie das Terminal aus.
2. Lösen Sie die Handhalterung an der Rückseite des Terminals.
3. Lösen Sie den Schutzstecker über dem Modemanschluß auf der Rückseite des Terminals, und stecken Sie einen der Stecker der Telefonleitung ein.



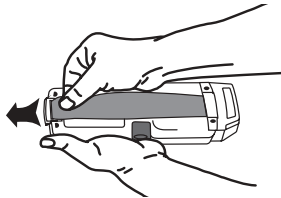
4. Stecken Sie den anderen Stecker der Leitung in den Telefonsteckplatz.
5. Schalten Sie das Terminal wieder ein.

Akustik

Einige Terminals der Serie 3100 sind mit einem integrierten Akustik-Modem ausgestattet, das direkte Datenübertragungen über eine Telefonleitung ermöglicht.

Sollte Ihr Terminal mit einem Akustik-Modem ausgestattet sein, schließen Sie das Modem wie folgt an:

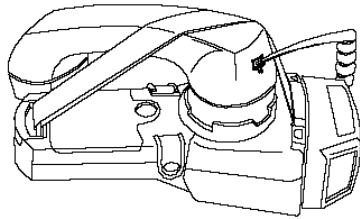
1. Schalten Sie das Terminal aus.
2. Lösen Sie die Handhalterung an der Rückseite des Terminals.



3. Plazieren Sie das Sprechteil des Telefonhörers auf die Muffe. Legen Sie wie unten dargestellt die Handhalterung über den Telefonhörer, und befestigen Sie die Halterung erneut.

Kurzübersicht

4. Schalten Sie das Terminal wieder ein.



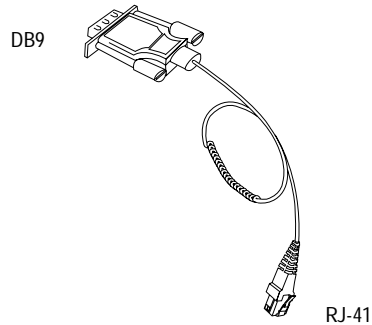
Anschließen des Terminals an einen Drucker

Die Serie 3100 wird wahlweise mit einem Kabel (p/n 25-10413-01) angeboten, mit dem das Terminal an einen Drucker der Serie PS-1000 oder einen PS-200 Drucker (P/N 20-11062-03) angeschlossen werden kann.

Zum Anschließen eines der oben angeführten Drucker gehen Sie wie folgt vor:

1. Stecken Sie den 10-poligen RJ41-Stecker in die entsprechende Buchse des Terminals der Serie 3100.

2. Stecken Sie den DB9-Stecker in die Datenschnittstelle des Druckers.

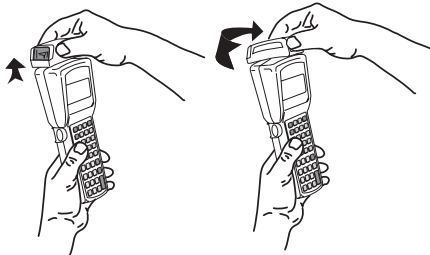


Benutzen des integrierten Laserscanners

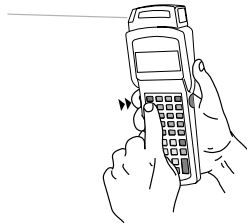
Der integrierte Laserscanner verfügt über einen Auslöser, der vom Benutzer konfiguriert werden kann. Zum Benutzen des Auslösers und integrierten Laserscanners gehen Sie wie folgt vor:

1. Schalten Sie das System ein, indem Sie **PWR** oder den Scanner-Auslöser drücken.

2. Nehmen Sie den Scanner ab, und führen Sie ihn in die Richtung, in der Sie scannen möchten. Der Scanner dreht sich in Richtung Terminalrückseite.

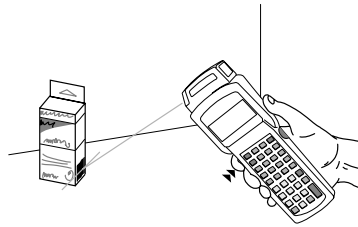


3. Drücken Sie die FUNC-Taste und die Auslöse-Taste, die Sie vorzugsweise bedienen möchten (siehe Abbildung unten). Auf diese Weise wird der Scanner-Auslöser festgelegt. Der andere Auslöser wird beim 35-Tasten-Terminal standardmäßig auf die ALPHA-Umschalten-Taste gelegt.



4. Richten Sie den Scanner auf den Strichcode, und drücken Sie den Auslöser oder die Funktionstaste für den Auslöser

(ENTER-Taste). Der dünne, rote Laserstrahl deckt die gesamte Länge des Strichcodes ab.



Nach einem erfolgreichen Scannen zeigt das Terminal dies an, indem das grüne Scanner-LED aufleuchtet, mehrmals ein Piepton ertönt und/oder ein decodierter Strichcode auf dem Bildschirm erscheint.

Anschließen und Benutzen eines Handscanners

Zum Anschließen eines Lesestiftes oder eines Laserscanners an ein Terminal der Serie 3100 gehen Sie wie folgt vor:

1. Schalten Sie das System aus.
2. Nehmen Sie die Plastikabdeckung von der Oberseite des Terminals ab.

Kurzübersicht

3. Schließen Sie den Scanner wie unten dargestellt an der Terminaloberseite an.



4. Zielen Sie mit dem Scanner auf den Strichcode, und drücken Sie den Auslöser.

Bitte beachten: *Je nach der Anwendung, die Sie benutzen, müssen Sie unter Umständen das Terminal vor dem Einsatz Ihres Scanners einschalten.*

5. Wenn Sie einen Lesestift-Scanner benutzen, führen Sie den Lesestiftkopf vorsichtig auf den weißen Raum links neben dem Strichcode und bewegen ihn nach rechts.

IEC825/EN60825 SCANNER, KLASSE I

Die Terminals der Serie 3100, die mit einem IEC825/EN60825-Scanner ausgestattet sind, operieren auf der Basis eines Emissionsakkumulators oder "Benzintanks". Der Emissionsakkumulator begrenzt die Zeit, die Ihnen zum Scannen zur Verfügung steht. Der Scanner arbeitet nicht kontinuierlich, damit er die Niedrigverbrauchsnorm erfüllen kann.

Falls der "Benzintank" leer wird, bzw. die Scanzeit abläuft, erzeugt das Terminal einen langen tiefen Piepton. Lassen Sie den Auslöser los, und warten Sie, bis das Terminal einen langen, hohen Piepton erzeugt. Dies zeigt an, daß genügend Scanzeit für die Wiederaufnahme des Scannens angesammelt wurde.

Introduzione

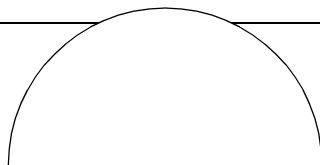
I terminali della Serie 3100 sono computer portatili leggeri e a batteria. I dati possono essere immessi utilizzando la tastiera del terminale, il lettore laser integrato oppure scanner a filo per la lettura di codici a barre.

La Serie 3100 include sia terminali batch sia terminali via radio. Il modello PDT 3100 offre la possibilità di comunicazione diretta, mentre i modelli PDT 3110 e 3124 effettuano comunicazioni radio Spectrum One ed il modello PDT 3140 supporta comunicazioni Spectrum 24. Tutti i terminali della Serie 3100 possono essere usati come terminali remoti per la raccolta e la memorizzazione dei dati che vengono successivamente caricati su un computer host.

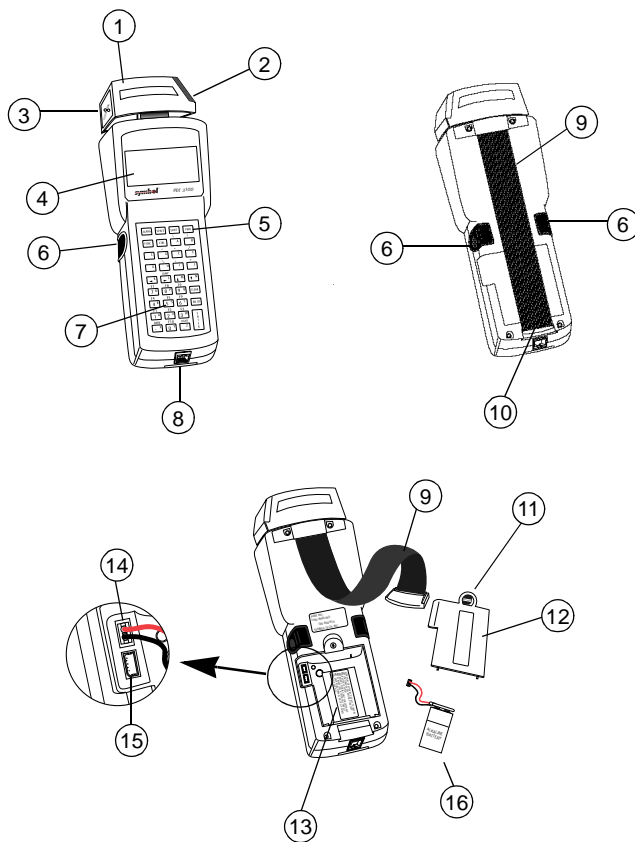
Informazioni su questa guida

Questa guida illustra i diversi componenti del terminale Serie 3100 e fornisce istruzioni sulle procedure seguenti:

- Accensione e spegnimento del terminale
- Comunicazioni
- Caricamento delle batterie
- Sostituzione delle batterie
- Collegamento con modem
- Collegamento del terminale ad una stampante
- Configurazione del grilletto del lettore
- Collegamento di un lettore a filo
- Uso dei lettori di codici a barre



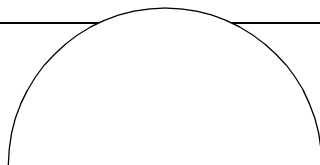
Componenti del terminale Serie 3100



Guida rapida

I componenti del terminale Serie 3100 includono:

1. Lettore laser integrato
2. Finestra dello scanner
3. LED dello scanner
4. Display a cristalli liquidi
5. Tasto PWR (accensione/spengimento)
6. Tasto Alpha/grilletti lettore laser
7. Tastiera
8. Porta seriale (RJ-41)
9. Cinturino elastico
10. Fermo per cinturino
11. Fermo del vano batteria
12. Coperchio del vano batteria
13. Vano batteria
14. Presa per batteria alcalina
15. Presa per batteria al Ni-Cd ricaricabile
16. Batteria



Accensione e spegnimento

Nota: *Se il terminale è alimentato con una batteria al nichel-cadmio, prima di utilizzare il terminale occorre caricare la batteria completamente.*

Per accendere e spegnere il terminale, premere **PWR**.

Caricamento delle batterie e comunicazioni

Per caricare le batterie del terminale PDT 3100 o per effettuare comunicazioni, si può usare il cradle 31XX o l'adattatore per ricarica e comunicazioni 3115.

Adattatore per ricarica e comunicazioni 3115

La Serie 3100 è provvista di un adattatore opzionale per ricarica e comunicazioni che facilita la comunicazione con un host quando non è disponibile alcun cradle e fornisce inoltre l'alimentazione al terminale da una presa a muro per la ricarica delle batterie durante l'utilizzo del terminale e la programmazione della flash EPROM.

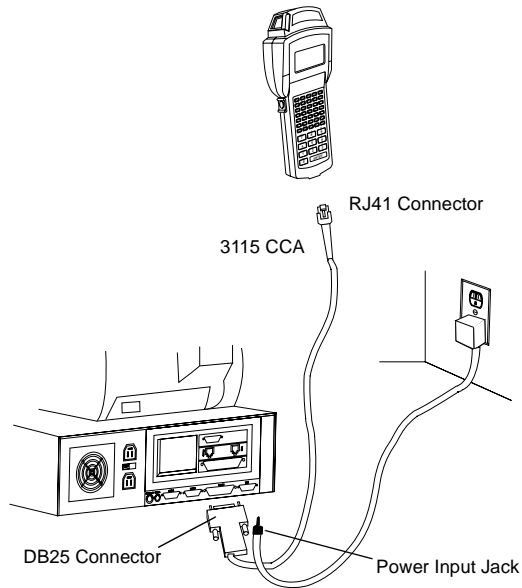
Ricarica della batteria

Per fornire alimentazione diretta al terminale per la ricarica della batteria al nichel-cadmio:

1. Inserire il connettore RJ14 a 10 pin nella base del terminale Serie 3100.
2. Inserire la presa di un connettore di alimentazione a 15V, P/N 55915-00-00 (US, 115 V) o 3040-001 (Internazionale, 230 V) nel jack di potenza (J1) sull'adattatore per ricarica/comunicazioni.

Guida rapida

3. Inserire il cavo di alimentazione in una presa.



Per la ricarica completa delle batterie al Ni-Cd sono necessarie da 12 a 16 ore. I terminali possono essere utilizzati anche mentre si sta ricaricando la batteria.

Nota: *Le batterie alcaline non possono essere caricate nel terminale.*

Per caricare le batterie più velocemente, si consiglia di utilizzare l'apposito cradle, come illustrato nella sezione *Cradle 31XX*.

Comunicazioni

Nota: *NON è necessario collegare il terminale ad una fonte di alimentazione per le comunicazioni.*

Per comunicare con un PC o una stampante:

1. Inserire il connettore a 10 pin RJ41 nella base del terminale Serie 3100.
2. Inserire il connettore DB25 nella porta COM dell'host.

Per collegare l'adattatore per ricarica/comunicazioni ad un modem:

1. Inserire il connettore a 10 pin RJ41 nella base del terminale Serie 3100.
2. Inserire un commutatore femmina-maschio sul connettore femmina DB25 prima di inserire il connettore nel modem.

Nota: *L'adattatore per ricarica/comunicazioni viene fornito impostato per comunicazioni RS-232 con un PC. Per utilizzare l'adattatore con un modem o una stampante potrebbe essere necessario modificare le impostazioni per le comunicazioni interne. Fare riferimento alle istruzioni di installazione (P/N 70-11314-01).*

Cradle 31XX

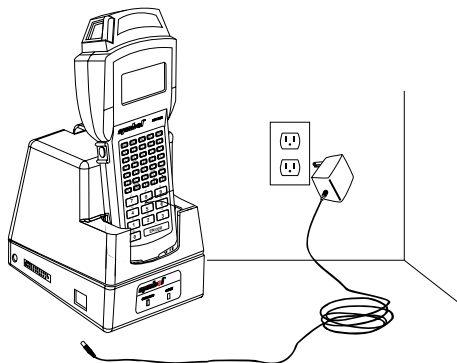
I cradle a slot singolo o a quattro slot sono dispositivi opzionali utilizzati per caricare le batterie e per effettuare comunicazioni host con il terminale.

Ricarica della batteria

Per ricaricare la batteria al nichel-cadmio nel cradle:

1. Inserire la spina tonda del cavo di alimentazione nel connettore di alimentazione sul lato del cradle.
2. Collegare la spina ca del cavo di alimentazione ad una presa elettrica standard.
3. Inserire il terminale nel cradle.

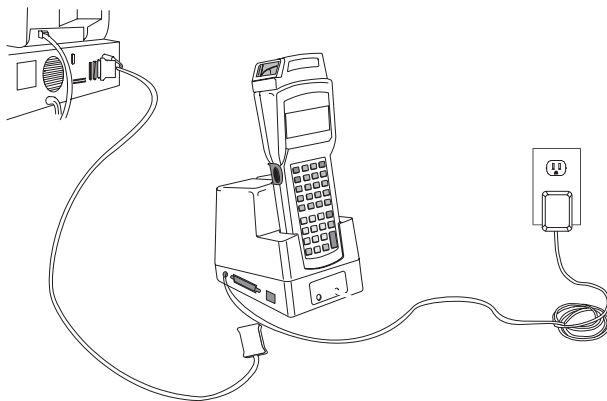
La batteria si ricarica completamente in circa 90 minuti.



Comunicazioni

Per comunicare usando il cradle:

1. Eseguire la procedura descritta ai punti 1 e 2 della sezione *Ricarica della batteria*.
2. Collegare il cradle all'host computer utilizzando un cavo null modem.
3. Inserire il terminale nel cradle ed eseguire la procedura di comunicazione descritta nel *Series 3100 System Administration Manual* (P/N 62605-00-90) o *Series 3000 Application Programmer's Guide* (P/N 59045-00-92).



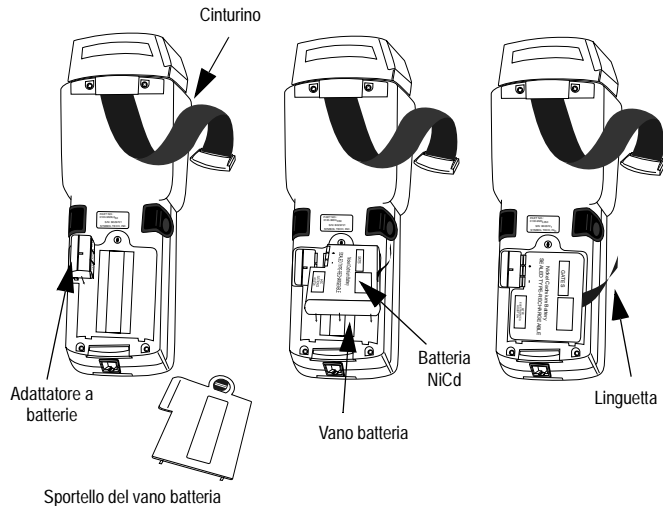
4. Se il cradle è dotato di un modem (solo cradle ad uno slot), collegarlo direttamente alla presa telefonica e procedere seguendo le istruzioni contenute nel *Series 3100 System Administration Manual*.

Per ulteriori informazioni sui cradle ad uno o quattro slot, fare riferimento alla guida rapida *Moduli cradle 3165/3166* (P/N 70-11313-xx).

Sostituzione delle batterie

Per sostituire la batteria NiCd o NiMH:

1. Spegner il terminale.
2. Allentare il cinturino, sbloccare lo sportello del vano batteria e rimuoverlo.



3. Collocare l'adattatore nella presa di contenimento e premerlo in posizione.

4. Inserire la batteria al NiCd o NiMH nel vano accanto all'adattatore. Prima di premere la batteria in posizione, accertarsi che la linguetta di rimozione sia accessibile e non sia rimasta bloccata sotto la batteria.

Nota: *Le batterie NiMH non possono essere caricate nel terminale utilizzando l'adattatore di comunicazioni/ricaica.*

5. Verificare che la batteria e l'adattatore siano installati correttamente.
6. Sostituire e chiudere lo sportello del vano batterie.
7. Sostituire il cinturino.

Collegamento con modem

Modem a connessione diretta

Alcune basi utilizzano un modem interno opzionale in grado di comunicare ad una velocità massima di 14.400 bps (con compressione dati v.42 bis). Il modem può essere collegato ad una linea telefonica tramite una porta RJ-11 come da illustrazione.

Nota: La base a quattro posizioni non è dotata di un modem interno.

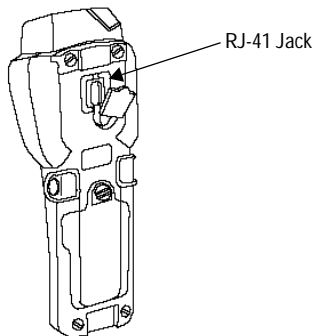
Utilizzare le impostazioni firmware specificate per configurare il software e l'hardware del modem, per garantire prestazioni ottimali e per conformarsi alle normative in materia. Tramite l'applicazione installata sul terminale è possibile gestire queste impostazioni e visualizzare e modificare le impostazioni relative al paese/regione, selezionare la composizione a frequenza o a impulsi e specificare gli intervalli di connessione. L'errata definizione di queste impostazioni può dar luogo ad operazioni

Guida rapida

non valide del modem e influenzarne negativamente le prestazioni. Per conoscere le impostazioni corrette consultare il Series 3000 Application Programmer's Reference Manual (Manuale di riferimento per il programmatore della Serie 3000).

Se il terminale utilizzato è dotato di un modem a connessione diretta, collegare il modem come segue:

1. Spegner il terminale.
2. Allentare il cinturino sul retro del terminale.
3. Individuare la copertura di protezione della presa modem sul retro del terminale ed inserire il connettore R5 del cavo telefonico.



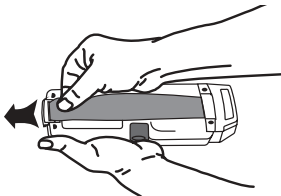
4. Inserire la spina tripolare in una presa telefonica.
5. Riaccendere il terminale.

Modem acustico

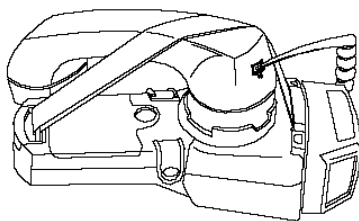
Alcuni terminali della Serie 3100 sono dotati di un modem acustico incorporato che consente la trasmissione diretta dei dati attraverso una linea telefonica.

Se il terminale utilizzato è dotato di un modem acustico, collegare il modem come segue:

1. Spegnerne il terminale.
2. Allentare il cinturino sul retro del terminale.



3. Alloggiare lo speaker della cornetta (dove si parla) sulla cuffia posta sul retro del terminale. Posizionare il cinturino sopra l'apparecchio telefonico, come mostra la figura sottostante e riattaccarla.
4. Riaccendere il terminale.

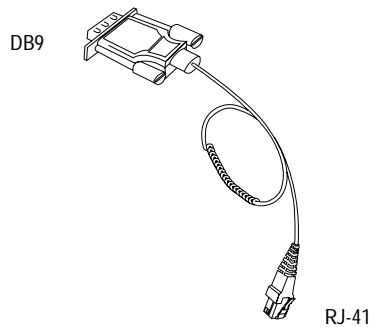


Collegamento del terminale ad una stampante

La Serie 3100 è dotata di un cavo opzionale (p/n 25-10413-01) utilizzato per collegare il terminale ad una stampante della Serie PS-1000 o ad una stampante a filo PS-200 (p/n 20-11062-03).

Per collegare il terminale ad una delle stampanti sopra elencate, procedere come segue:

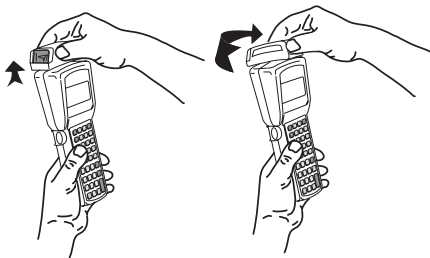
1. Inserire il connettore a 10 pin RJ41 nella base di un terminale Serie 3100.
2. Inserire il connettore DB9 nella porta COM sulla stampante.



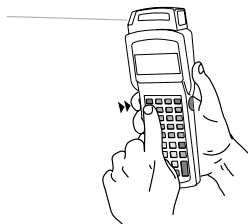
Uso del lettore laser integrato

Il lettore laser integrato presenta un unico grilletto che l'operatore può configurare. Per selezionare il grilletto del lettore laser integrato:

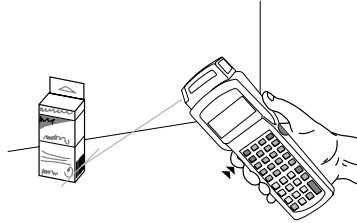
1. Accendere il terminale premendo **PWR**.
2. Sollevare e girare il lettore verso la direzione di lettura. Il lettore si gira verso il retro del terminale.



3. Premere il tasto **FUNC** ed il grilletto che si preferisce utilizzare (vedere la figura sottostante). Si seleziona in questo modo il grilletto per il lettore. L'altro grilletto diviene di default un tasto **ALPHA shift** su un terminale a 35 tasti.



4. Puntare il lettore sul codice a barre e premere il grilletto oppure il tasto di attivazione grilletto (ENTER). Il raggio laser rosso copre l'intera lunghezza del codice a barre.



Il terminale indica l'avvenuta lettura accendendo la spia verde, emettendo uno o più bip e/o visualizzando il codice a barre decodificato sullo schermo.

Collegamento ed uso di un lettore a filo

Per attaccare un lettore a penna o laser al terminale Serie 3100:

1. Spegnerne il sistema.
2. Rimuovere il coperchio di plastica sopra al terminale.
3. Inserire il lettore in cima al terminale, come illustrato sotto.



4. Puntare il lettore sul codice a barre e premere il grilletto.

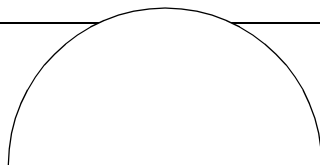
Nota: *A seconda dell'applicazione, potrebbe essere necessario accendere il terminale prima di utilizzare i lettori.*

5. Se si utilizza un lettore a penna, appoggiare leggermente la punta della penna sullo spazio bianco a sinistra del codice e spollarla quindi verso destra.

Letture Classe 1 IEC825/EN60825

I terminali Serie 3100 dotati di un lettore IEC825/EN60825 sono azionati in base ad un accumulatore di emissioni o "serbatoio gas" che determina la quantità di tempo di scansione disponibile. Per soddisfare le normative relative ad un basso consumo di energia, lo scanner non può leggere continuamente.

Allo scadere dell'intervallo di scansione consentito, il terminale emette un bip basso e prolungato. Rilasciare quindi il grilletto ed attendere fino a quando non si ode un bip alto e prolungato, ad indicare che si possono riprendere le letture dei codici.



Introducción

Los terminales de la serie 3100 son ordenadores de bolsillo alimentados por batería y de peso liviano. Los datos pueden introducirse por medio de un teclado, de un scanner láser integrado o a través de un scanner independiente de código de barras.

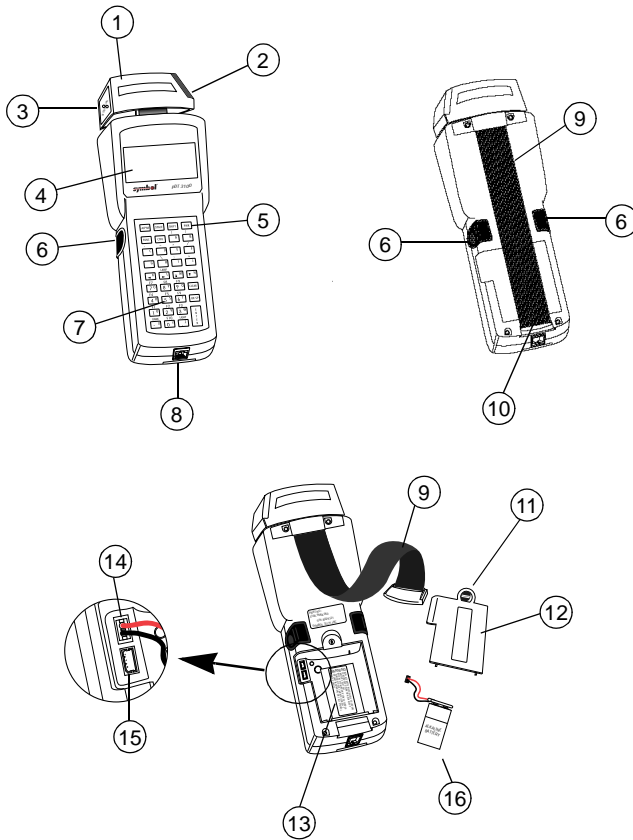
El terminal de la serie 3100 incluye terminales de radio y de lote. El terminal PDT 3100 realiza comunicaciones directas. Los terminales PDT 3110 y 3124 realizan comunicaciones en Spectrum One. El terminal PDT 3140 realiza comunicaciones de radio Spectrum 24. Todos los terminales de la serie 3100 pueden utilizarse como terminales remotos para registrar y almacenar datos que se cargan posteriormente en un ordenador central.

Acerca de esta guía

La presente guía le ofrece información acerca de los componentes que conforman los terminales de la serie 3100. Asimismo, aporta las directrices necesarias para llevar a cabo los procedimientos que se relacionan a continuación:

- Encendido y apagado del terminal
- Ejecución de tareas de comunicación
- Carga de la batería
- Sustitución de la batería
- Conexión de un módem
- Conexión del terminal a una impresora
- Configuración del gatillo del scanner
- Instalación de un scanner independiente
- Empleo de los scanners

Componentes del terminal de la serie 3100



Entre los componentes de los terminales de la serie 3100, se incluyen los siguientes:

1. Scanner láser giratorio integrado
2. Ventana del scanner
3. Diodo emisor de luz (LED) del scanner
4. Pantalla LCD
5. Tecla PWR
6. Gatillos Alpha/Scanner
7. Teclado
8. Puerto serie (RJ41)
9. Banda de mano
10. Gancho de la banda de mano
11. Tapa del receptáculo de la batería
12. Cubierta del receptáculo de la batería
13. Receptáculo de la batería
14. Enchufe de la batería alcalina
15. Enchufe de la batería de NiCad recargable
16. Batería

Encendido y apagado

Nota: *si el terminal se alimenta con una batería de NiCad, cargue completamente la batería antes de utilizar el terminal.*

Para encender o apagar el terminal, pulse la tecla **PWR**.

Carga de la batería y ejecución de tareas de comunicaciones

Para cargar las baterías del terminal PDT 3100 o llevar a cabo alguna tarea de comunicación, puede optar por utilizar el soporte 31XX o el Adaptador de carga y comunicaciones 3115.

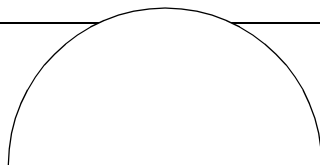
Adaptador de carga y comunicaciones 3115

Los terminales de la serie 3100 disponen de un adaptador de carga y comunicaciones que facilita la comunicación del terminal con el ordenador principal, siempre y cuando no disponga de un soporte. Asimismo, abastece de energía al terminal por medio de una fuente de alimentación externa a fin de cargar la batería mientras el terminal está funcionando o durante la programación de la memoria Flash EPROM.

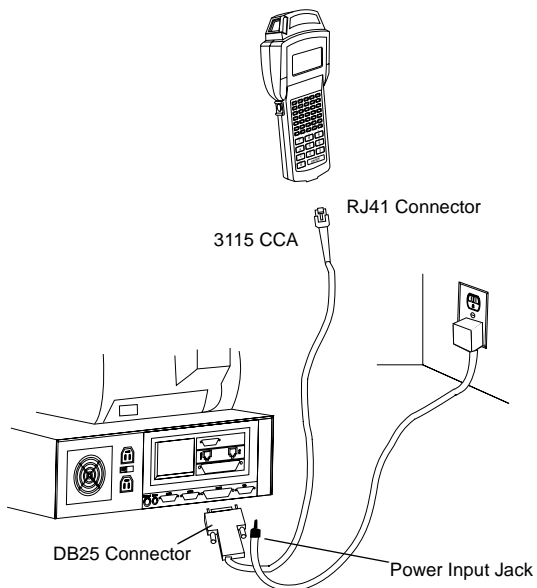
Carga de la batería

Para suministrar energía al terminal a fin de cargar la batería de NiCad, siga el procedimiento siguiente:

1. Introduzca el conector RJ41 de 10 patillas en la base del terminal de la serie 3100.
2. Enchufe el conector de la fuente de alimentación de 15 V, número de referencia 55915-00-00 (Estados Unidos, 115 V) o 80507-00-00 (internacional, 230 V) en un enchufe (J1) del CCA.



3. Conecte la fuente de alimentación a una toma de corriente.



El tiempo estimado de carga de las baterías de NiCad oscila entre 12 y 16 horas. Durante el proceso de carga puede seguir utilizando el terminal.

Nota: *absténgase de cargar baterías alcalinas en el terminal.*

Si desea cargar las baterías con mayor rapidez, emplee el soporte tal y como se describe en el apartado Carga de la batería, de la sección Soportes 31XX.

Tareas de comunicaciones

Nota: *NO es necesario que conecte el terminal a una fuente de alimentación para poder establecer comunicación con otros dispositivos.*

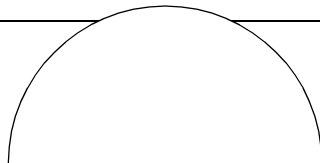
Para establecer conexión con un ordenador o una impresora:

1. Introduzca el conector RJ41 de 10 patillas en la base del terminal de la serie 3100.
2. Enchufe el conector DB25 en el puerto de comunicaciones del ordenador central.

Para conectar el CCA a un módem:

1. Introduzca el conector RJ41 de 10 patillas en la base del terminal de la serie 3100.
2. Introduzca un adaptador hembra a macho en el conector hembra DB25 antes de enchufar el conector al módem.

Nota: *el CCA viene definido de fábrica para establecer comunicaciones RS-232 con un ordenador. Si desea emplear el CCA con un módem o una impresora, deberá modificar los valores internos del dispositivo de comunicación. Para obtener información pormenorizada al respecto, consulte las instrucciones acerca de la instalación (número de referencia 70-11314-01).*



Soportes 31XX

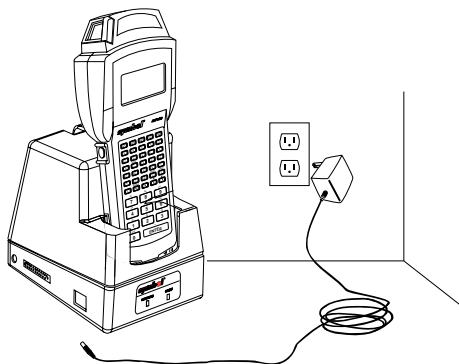
Los soportes de una y cuatro ranuras constituyen dispositivos opcionales cuyo cometido principal consiste en cargar las baterías y establecer comunicación entre el terminal y el ordenador central.

Carga de la batería

Para recargar el paquete de baterías de NiCad en el soporte:

1. Conecte el enchufe del cable de la fuente de alimentación a la toma de alimentación situada en uno de los lados del soporte.
2. Conecte el enchufe del cable de la fuente de alimentación de corriente alterna a una toma de corriente estándar.
3. Coloque el terminal en el soporte.

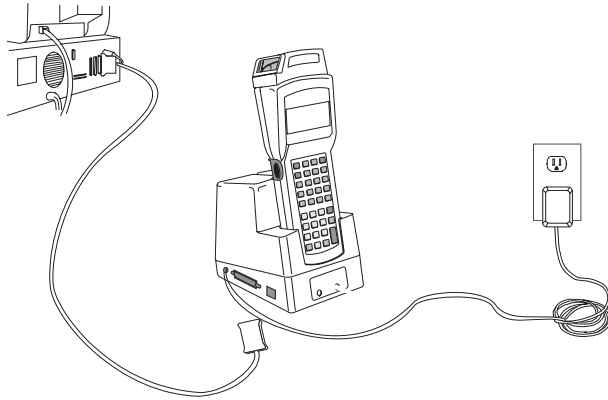
El tiempo de carga del paquete de baterías es de aproximadamente 90 minutos.



Comunicaciones

Para establecer comunicación mediante un soporte:

1. Lleve a cabo los pasos 1 y 2 del apartado Carga de la batería.
2. Conecte el soporte al ordenador central. Para ello emplee un cable supresor de módem.
3. Inserte el terminal en el soporte y siga los pasos detallados en el manual *Series 3100 System Administration Manual* (número de referencia 62605-00-90) o en *Series 3000 Application Programmer's Guide* (número de referencia 59045-00-92).



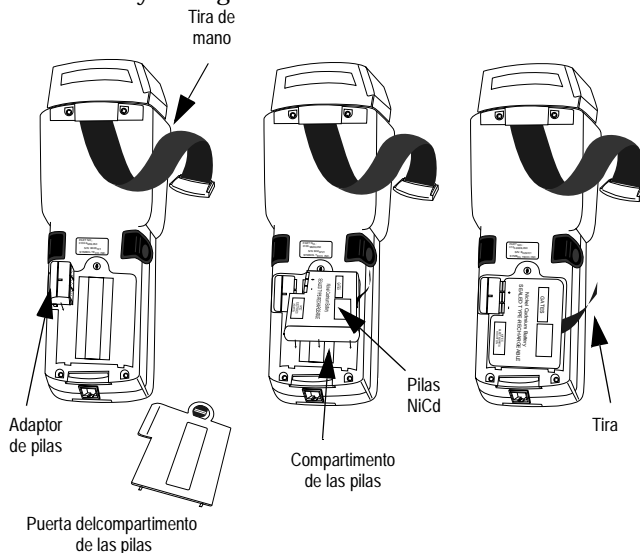
4. Si el soporte viene provisto de un módem (como ocurre con los soportes de una ranura), conéctelo directamente a una toma de teléfono y proceda como se indica en el manual *Series 3100 System Administration Manual*.

Si desea obtener información acerca de los soportes de una y cuatro ranuras, consulte el manual *3165/3166 Cradle Base Modules Quick Reference Guide* (número de referencia 70-11313-xx).

Sustitución de las baterías

Para cambiar las pilas NiCd o NiMH:

1. Apague el terminal.
2. Suelte la banda de mano, abra la puerta del receptáculo de la batería y extráigala.



3. Coloque el adaptador de las pilas en la ranura de conexión e insértelo haciendo presión.

4. Inserte el bloque de pilas NiCd o NiMH en el compartimento próximo al adaptador. Compruebe que la tira para sacarlas posteriormente no se quede debajo de las pilas.

Nota: *las pilas NiMH no pueden cargarse en el terminal mediante el Adaptador de Carga/Comunicaciones.*

5. Compruebe que las pilas y el adaptador están correctamente emplazados.
6. Vuelva a colocar y cierre el compartimento de las pilas.
7. Vuelva a colocar la tira de mano.

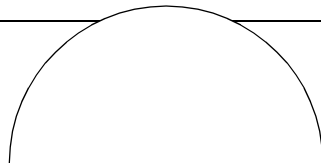
Conexión de un módem

Conexión directa

Algunas cunas utilizan un módem interno opcional que se comunica a velocidades de hasta 14.400 bps (con una compresión de datos de v.42 bis). Éste puede conectarse directamente a una línea telefónica mediante el puerto RJ-11 que se muestra en la ilustración.

Nota: la cuna de cuatro ranuras no contiene un módem interno.

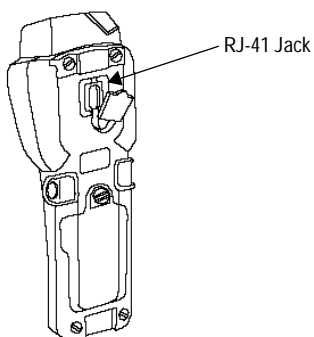
Existen parámetros específicos de firmware que se utilizan para configurar el hardware y software del módem para que éste funcione correctamente y cumpla con las normativas. La aplicación del terminal puede controlar estos parámetros y permitir visualizar y modificar los parámetros según el país o región, la marcación por pulso o tono, o el intervalo de tiempo de repetición de la marcación. Una definición incorrecta de estos parámetros puede redundar en la utilización ilegal del módem y producir un funcionamiento poco confiable. El programador de la aplicación debe consultar el 'Series 3000 Application



Programmer's Reference Manual' (Manual de referencia del programador de la aplicación de la serie 3000) para obtener los parámetros correctos.

Si su terminal viene dotado de un módem de estas características, proceda a su conexión de la siguiente forma:

1. Apague el terminal.
2. Suelte la banda de mano situada en la parte posterior del terminal.
3. Retire el enchufe protector que cubre al conector jack del módem situado en la parte posterior del terminal y enchufe uno de los conectores del cable del teléfono.



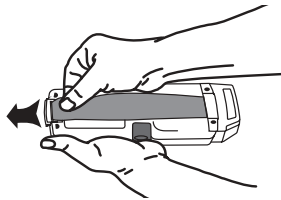
4. Enchufe el otro conector del cable en la toma del teléfono.
5. Vuelva a encender el terminal.

Módem acústico

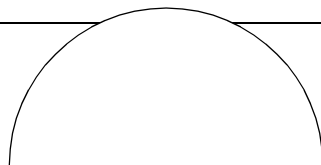
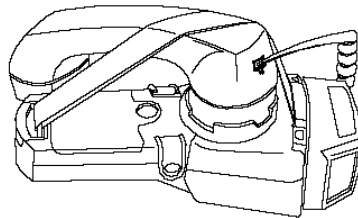
Algunos terminales de la serie 3100 incorporan un módem acústico que facilita la transmisión de datos a través de la línea del teléfono.

Si su terminal viene dotado de un módem de estas características, proceda a su conexión de la siguiente forma:

1. Apague el terminal.
2. Suelte la banda de mano situada en la parte posterior del terminal.



3. Coloque el micrófono del teléfono correctamente sobre la base. Sitúe la banda de mano sobre el microteléfono, tal y como se muestra en el dibujo y vuelva a acoplar la banda de mano.
4. Vuelva a encender el terminal.

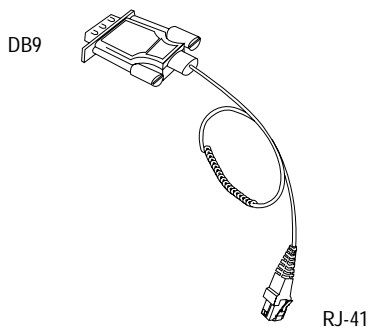


Conexión del terminal a una impresora

Los terminales de la serie 3100 disponen de un cable opcional (número de referencia 25-10413-01) que se emplea para conectar el terminal a una impresora de la serie PS-1000 o a una impresora PS-200 independiente (número de referencia 20-11062-03).

Para conectar el terminal a una de las impresoras mencionadas:

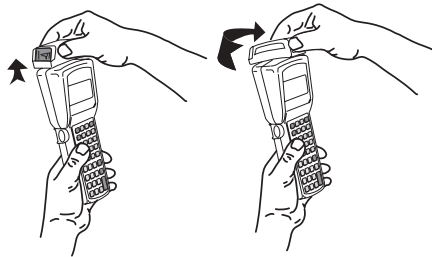
1. Introduzca el conector RJ41 de 10 patillas en la base del terminal de la serie 3100.
2. Enchufe el conector DB9 en el puerto de comunicación de la impresora.



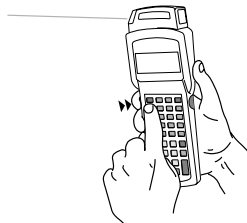
Empleo del scanner láser integrado

El scanner integrado se distingue por presentar un único gatillo que podrá configurar atendiendo a sus necesidades. Para seleccionar el gatillo y emplear el scanner láser integrado:

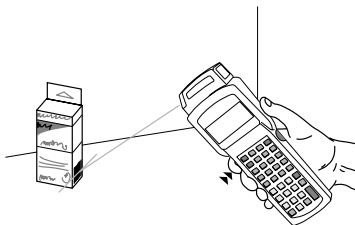
1. Encienda el ordenador y el scanner. Para ello, pulse el botón **PWR** o apriete el gatillo del scanner.
2. Levante y disponga el scanner en la dirección en la que desea llevar a cabo la lectura. El scanner se orienta hacia la parte posterior del terminal.



3. Pulse la tecla **FUNC** y apriete el gatillo que le resulte más fácil de emplear (vea la figura de abajo). De esta forma se produce la selección del gatillo. El otro gatillo toma el valor de la tecla **ALPHA** del terminal de 35 teclas.



4. Acerque el scanner al código de barras y apriete el gatillo o pulse la tecla **ENTER**. Enfoque el haz de lectura de forma que abarque todas las barras y espacios del símbolo.



Si la lectura se ha producido de forma satisfactoria, se enciende la luz verde del scanner, emitiendo a su vez uno o varios pitidos y/o mostrando el código de barras descodificado en la pantalla.

Conexión y uso de un scanner independiente

Para conectar un lápiz de contacto o un scanner láser a los terminales de la serie 3100:

1. Apague el ordenador.
2. Extraiga la capa de plástico situada en la parte superior del terminal.
3. Enchufe el scanner en la parte superior del terminal, tal y como se indica en la figura siguiente.



4. Acerque el scanner al código de barras y apriete el gatillo.

Nota: según la aplicación que esté empleando, es posible que necesite encender el terminal antes de utilizar el scanner.

5. Si está empleando un lápiz, aplique ligeramente la punta del lápiz al espacio en blanco situado en la parte izquierda del código de barras y desplácelo hacia la derecha.

Scanner IEC825/EN60825 de clase 1

Los terminales de la serie 3100 dotados de un scanner IEC825/EN60825 funcionan gracias a un acumulador de emisiones que determina el tiempo de lectura del que se dispone. Si desea economizar consumo energético, es recomendable que no realice tareas de lectura durante periodos de tiempo demasiado amplios.

Al agotarse el tiempo de lectura disponible, el terminal emite un pitido largo de baja intensidad. Suelte el gatillo de lectura y espere hasta que el terminal emita un pitido alto y continuo. Con ello, se indica que el scanner dispone de energía suficiente para proseguir con las tareas de lectura.

Regulatory Information

All Symbol devices are designed to be compliant with rules and regulations in locations they are sold and will be labeled as required.

Any changes or modifications to Symbol Technologies equipment, not expressly approved by Symbol Technologies, could void the user's authority to operate the equipment.

Ergonomic Recommendations

Caution: In order to avoid or minimize the potential risk of ergonomic injury follow the recommendations below. Consult with your local Health & Safety Manager to ensure that you are adhering to your company's safety programs to prevent employee injury.

- Reduce or eliminate repetitive motion
- Maintain a natural position
- Reduce or eliminate excessive force
- Keep objects that are used frequently within easy reach
- Perform tasks at correct heights
- Reduce or eliminate vibration
- Reduce or eliminate direct pressure
- Provide adjustable workstations
- Provide adequate clearance
- Provide a suitable working environment
- Improve work procedures.

Quick Reference

Radio Frequency Interference Requirements - U.S.

Note: This equipment has been tested and found to comply with the limits for a Class A digital device, pursuant to Part 15 of the FCC rules. These limits are designed to provide reasonable protection against harmful interference when the equipment is operated in commercial environment. This equipment generates, uses, and can radiate radio frequency energy and, if not installed and used in accordance with the instruction manual, may cause harmful interference to radio communications. Operation of this equipment in a residential area is likely to cause harmful interference in which case the user will be required to correct the interference at his own expense.

Radio Frequency Interference Requirements - Canada

This device complies with RSS 210 of Industry & Science Canada. Operation is subject to the following two conditions: (1) this device may not cause harmful interference and (2) this device must accept any interference received, including interference that may cause undesired operation.

This Class A digital apparatus complies with Canadian ICES-003.

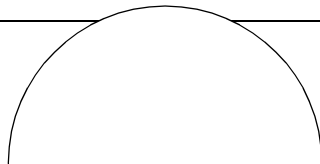
Cet appareil numérique de la classe A est conforme à la norme NMB-003 du Canada.



Marking and European Economic Area (EEA)

RLAN's (2.4GHz) for use through the EEA have the following restrictions:

- Maximum radiated transmit power of 100 mW EIRP in the frequency range 2.400 -2.4835 GHz
- France, equipment is restricted to 2.4465 -2.4835 GHz frequency range
- Belgium outside usage, the equipment is restricted to 2.460 -2.4835 GHz frequency range
- Italy requires a user license for outside usage.



Statement of Compliance

Symbol Technologies, Inc., hereby, declares that this device is in compliance with the essential requirements and other relevant provisions of Directives 1999/5/EC, 89/336/EEC and 73/23/EEC. Declaration of Conformities may be obtained from <http://www2.symbol.com/doc/>

Other Countries

2.4GHz Radio Devices:

Mexico - Restrict Frequency Range to: 2.450 - 2.4835 GHz.

Israel - Restrict Frequency Range to: 2.418 - 2.457 GHz

Laser Devices

Symbol products using lasers comply with US 21CFR1040.10, Subchapter J and IEC825/EN 60 825 (or IEC825-1/EN 60 825-1, depending on the date of manufacture). The laser classification is marked on one of the labels on the product.

Class 1 Laser devices are not considered to be hazardous when used for their intended purpose. The following statement is required to comply with US and international regulations:

Caution: Use of controls, adjustments or performance of procedures other than those specified herein may result in hazardous laser light exposure.

Class 2 laser scanners use a low power, visible light diode. As with any very bright light source, such as the sun, the user should avoid staring directly into the light beam. Momentary exposure to a Class 2 laser is not known to be harmful.

Quick Reference

Scanner Labeling

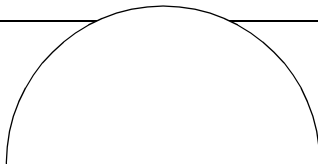


CLASS II LASER PRODUCT
AVOID LONG TERM VIEWING
OF DIRECT LASER LIGHT
AVOID EXPOSURE-LASER
IS EMITTED FROM THIS APERTURE

CAUTION

LASER LIGHT - DO
NOT STARE INTO BEAM

680nm LASER
1.0 MILLIWATT MAX OUTPUT
CLASS II LASER PRODUCT



In accordance with Clause 5, IEC 0825 and EN60825, the following information is provided to the user:



ENGLISH

CLASS 1	CLASS 1 LASER PRODUCT
CLASS 2	LASER LIGHT DO NOT STARE INTO BEAM CLASS 2 LASER PRODUCT

DANISH

KLASSE 1	KLASSE 1 LASERPRODUKT
KLASSE 2	LASERLYF SE IKKE IND I STRÅLEN KLASSE 2 LASERPRODUKT

DUTCH

KLASSE 1	KLASSE-1 LASERPRODUKT
KLASSE 2	LASERLICHT NIET IN STRAAL STAREN KLASSE-2 LASERPRODUKT

FINNISH

LUOKKA 1	LUOKKA 1 LASERTUOTE
LUOKKA 2	LASERVALO ÄLÄ TUJOTA SÄDETTÄ LUOKKA 2 LASERTUOTE

FRENCH

CLASSE 1	PRODUIT LASER DE CLASSE 1
CLASSE 2	LUMIERE LASER

Quick Reference

NE PAS REGARDER LE RAYON FIXEMENT
PRODUIT LASER DE CLASSE 2

GERMAN

KLASSE 1 LASERPRODUKT DER KLASSE 1
KLASSE 2 LASERSTRAHLEN
NICHT DIREKT IN DEN LASERSTRAHL SCHAUEN
LASERPRODUKT DER KLASSE 2

HEBREW

מוצר לייזר רמה 1	רמה 1
אור לייזר	רמה 2
אין להביט אל תוך הזרם	
מוצר לייזר רמה 2	

ITALIAN

CLASSE 1 PRODOTTO AL LASER DI CLASSE 1
CLASSE 2 LUCE LASER
NON FISSARE IL RAGGIOPRODOTTO AL LASER DI CLASSE 2

NORWEGIAN

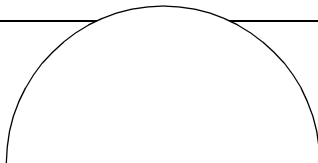
KLASSE 1 LASERPRODUKT, KLASSE 1
KLASSE 2 LASERLYS IKKE STIRR INN I LYSSTRÅLEN
LASERPRODUKT, KLASSE 2

PORTUGUESE

CLASSE 1 PRODUTO LASER DA CLASSE 1
CLASSE 2 LUZ DE LASER NÃO FIXAR O RAIOS LUMINOSO
PRODUTO LASER DA CLASSE 2

SPANISH

CLASE 1 PRODUCTO LASER DE LA CLASE 1
CLASE 2 LUZ LASER
NO MIRE FIJAMENTE EL HAZ
PRODUCTO LASER DE LA CLASE 2



SWEDISH

KLASS 1 LASERPRODUKT KLASS 1

KLASS 2 LASERLJUS STIRRA INTE MOT STRÅLEN

LASERPRODUKT KLASS 2

TELECOM APPROVAL WARNINGS AND NOTICES**USA**

When supplied with an internal IM8 modem option, this equipment complies with Part 68 of the FCC rules. A label is located externally on the equipment that contains, among other information, the FCC certification number and Ringer Equivalence Number (REN=0.6) for this equipment. If requested, this information must be provided to the telephone company.

The REN is used to determine the quantity of devices that may be connected to the telephone line. Excessive RENs on the telephone line may result in the devices not ringing in response to an incoming call. In most, but not all areas, the sum of RENs should not exceed five (5.0). To be certain of the number of devices that may be connected to a line, as determined by the total RENs, contact the local telephone company.

This equipment is designed to be connected to the telephone network or premises wiring using a compatible modular jack (RJ11C) that is FCC Part 68 compliant. A FCC compliant telephone cord and modular plug must be used.

Should you experience trouble with this telephone equipment, please contact your facility's Technical or Systems Support first who will contact your nearest Symbol Customer Service Centre. If necessary, the Symbol Support Centre may be contacted at the following:

Symbol Support Center
One Symbol Plaza
Holtsville, NY 11705-1300
1-800-653-5350

If the equipment is causing harm to the telephone network, the telephone company may request that you disconnect the equipment until the problem is resolved.

This equipment cannot be used on public coin phone service provided by the telephone company. Connection to party line service is subject to state tariffs. (Contact the state public utility commission, public service commission or corporation commission for information.)

Your telephone company may discontinue your service if your equipment causes harm to the telephone network. They will notify you as soon as possible and if practical, in advance of disconnection. During notification, you will be informed of your right to file a complaint to the FCC if you believe it is necessary.

Occasionally, your telephone company may make changes to its facilities, equipment, operations, or procedures that could affect the operation of your equipment. If so, you will be given advance notice of the change to give you an opportunity to maintain uninterrupted service.

Quick Reference

Canada

The Industry Canada label identifies certified equipment. This certification means that the equipment meets telecommunications network protective, operational and safety requirements as prescribed in the appropriate Terminal Equipment Technical Requirements document(s). The Department does not guarantee the equipment will operate to the user's satisfaction.

Before installing this equipment, users should ensure that it is permissible to be connected to the facilities of the local telecommunications company. The equipment must also be installed using an acceptable method of connection. The customer should be aware that compliance with the above conditions may not prevent degradation of service in some situations.

Repairs to certified equipment should be coordinated by a representative designated by the supplier. Any repairs or alterations made by the user to this equipment, or equipment malfunctions, may give the telecommunications company cause to request the user to disconnect the equipment.

Users should ensure for their own protection that the electrical ground connections of the power utility, telephone lines and internal metallic water pipe system, if present, are connected together. This precaution may be particularly important in rural areas. Caution: Users should not attempt to make such connections themselves, but should contact the appropriate electric inspection authority, or electrician, as appropriate.

The Ringer Equivalence Number (REN) assigned to each terminal device provides an indication of the maximum number of terminals allowed to be connected to a telephone interface. The termination on an interface may consist of any combination of devices subject only to the requirement that the sum of the Ringer Equivalence Numbers of all the devices does not exceed 5.

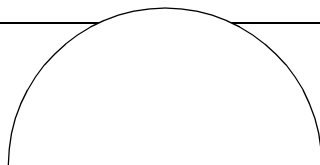
The European Economic Area (EEA)

Statement of Compliance for Modems (integrated into terminals)

Symbol Technologies, Inc., hereby, declares that this device is in compliance with the essential requirements and other relevant provisions of Directives 1999/5/EC, 89/336/EEC and 73/23/EEC. Declaration of Conformities may be obtained from <http://www2.symbol.com/doc/>

The modem is designed to interwork with the following Public Switched Telephone Networks:

Austria, Belgium, Denmark, Finland, France, Germany, Greece, Iceland, Ireland, Italy, Liechtenstein, Luxembourg, Netherlands, Norway, Portugal, Spain, Sweden, Switzerland, United Kingdom.



Warranty

Symbol Technologies, Inc. ("Symbol") manufactures its hardware products in accordance with industry-standard practices. Symbol warrants that for a period of twelve (12) months from date of shipment, products will be free from defects in materials and workmanship.

This warranty is provided to the original owner only and is not transferable to any third party. It shall not apply to any product (i) which has been repaired or altered unless done or approved by Symbol, (ii) which has not been maintained in accordance with any operating or handling instructions supplied by Symbol, (iii) which has been subjected to unusual physical or electrical stress, misuse, abuse, power shortage, negligence or accident or (iv) which has been used other than in accordance with the product operating and handling instructions. Preventive maintenance is the responsibility of customer and is not covered under this warranty.

Wear items and accessories having a Symbol serial number will carry a 90-day limited warranty. Non-serialized items will carry a 30-day limited warranty.

Warranty Coverage and Procedure

During the warranty period, Symbol will repair or replace defective products returned to Symbol's manufacturing plant in the US. For warranty service in North America, call the Symbol Support Center at 1-800-653-5350. International customers should contact the local Symbol office or support center. If warranty service is required, Symbol will issue a Return Material Authorization Number. Products must be shipped in the original or comparable packaging, shipping and insurance charges prepaid. Symbol will ship the repaired or replacement product freight and insurance prepaid in North America. Shipments from the US or other locations will be made F.O.B. Symbol's manufacturing plant.

Symbol will use new or refurbished parts at its discretion and will own all parts removed from repaired products. Customer will pay for the replacement product in case it does not return the replaced product to Symbol within 3 days of receipt of the replacement product. The process for return and customer's charges will be in accordance with Symbol's Exchange Policy in effect at the time of the exchange.

Customer accepts full responsibility for its software and data including the appropriate backup thereof.

Repair or replacement of a product during warranty will not extend the original warranty term.

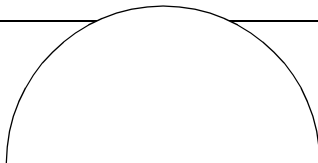
Symbol's Customer Service organization offers an array of service plans, such as on-site, depot, or phone support, that can be implemented to meet customer's special operational requirements and are available at a substantial discount during warranty period.

General

Except for the warranties stated above, Symbol disclaims all warranties, express or implied, on products furnished hereunder, including without limitation implied warranties of merchantability and fitness for a particular purpose. The stated express warranties are in lieu of all obligations or liabilities on part of Symbol for damages, including without limitation, special, indirect, or consequential damages arising out of or in connection with the use or performance of the product.

Seller's liability for damages to buyer or others resulting from the use of any product, shall in no way exceed the purchase price of said product, except in instances of injury to persons or property.

Some states (or jurisdictions) do not allow the exclusion or limitation of incidental or consequential damages, so the preceding exclusion or limitation may not apply to you.



Service Information

Before you use the unit, it must be configured to operate in your facility's network and run your applications.

If you have a problem running your unit or using your equipment, contact your facility's Technical or Systems Support. If there is a problem with the equipment, they will contact the Symbol Support Center:

United States ¹	1-800-653-5350 1-631-738-2400	Canada	905-629-7226
United Kingdom	0800 328 2424	Asia/Pacific	337-6588
Australia	1-800-672-906	Austria/Österreich	1-505-5794
Denmark/Danmark	7020-1718	Finland/Suomi	9 5407 580
France	01-40-96-52-21	Germany/Deutschland	6074-49020
Italy/Italia	2-484441	Mexico/México	5-520-1835
Netherlands/Nederland	315-271700	Norway/Norge	66810600
South Africa	11-4405668	Spain/España	9132440-00
Sweden/Sverige	84452900		
Latin America Sales Support	1-800-347-0178 Inside US +1-561-483-1275 Outside US		
Europe/Mid-East Distributor Operations	Contact local distributor or call +44 208 945 7360		

¹Customer support is available 24 hours a day, 7 days a week.

For the latest version of this guide go to:<http://www.symbol.com/manuals>.



70-35895-04
Revision A - March 2002