

TigerSwitch 10/100

50-Port Layer 2 Switch

- ◆ 48 10BASE-T/100BASE-TX auto-MDI/MDI-X ports
- ◆ 2 auto-MDI/MDI-X 10/100/1000BASE-T combo ports with associated SFP slots
- ◆ Non-blocking switching architecture
- ◆ Support for redundant power unit
- ◆ Spanning Tree Protocol
- ◆ Up to six LACP or static 4-port trunks
- ◆ Layer 2/3/4 CoS support through four priority queues
- ◆ Full support for VLANs with GVRP
- ◆ IGMP multicast filtering and snooping
- ◆ Dual firmware image support
- ◆ Manageable via console, Web, SNMP/RMON



TigerSwitch 10/100 Installation Guide

From SMC's Tiger line of feature-rich workgroup LAN solutions

SMC[®]

Networks

38 Tesla

Irvine, CA 92618

Phone: (949) 679-8000

June 2002

Pub. # 150200016500A

Information furnished by SMC Networks, Inc. (SMC) is believed to be accurate and reliable. However, no responsibility is assumed by SMC for its use, nor for any infringements of patents or other rights of third parties which may result from its use. No license is granted by implication or otherwise under any patent or patent rights of SMC. SMC reserves the right to change specifications at any time without notice.

Copyright © 2002 by
SMC Networks, Inc.
38 Tesla
Irvine, CA 92618

All rights reserved. Printed in Taiwan

Trademarks:

SMC is a registered trademark; and EZ Switch, TigerStack and TigerSwitch are trademarks of SMC Networks, Inc. Other product and company names are trademarks or registered trademarks of their respective holders.

LIMITED WARRANTY

Limited Warranty Statement: SMC Networks, Inc. (“SMC”) warrants its products to be free from defects in workmanship and materials, under normal use and service, for the applicable warranty term. All SMC products carry a standard 90-day limited warranty from the date of purchase from SMC or its Authorized Reseller. SMC may, at its own discretion, repair or replace any product not operating as warranted with a similar or functionally equivalent product, during the applicable warranty term. SMC will endeavor to repair or replace any product returned under warranty within 30 days of receipt of the product.

The standard limited warranty can be upgraded to a Limited Lifetime* warranty by registering new products within 30 days of purchase from SMC or its Authorized Reseller. Registration can be accomplished via the enclosed product registration card or online via the SMC web site. Failure to register will not affect the standard limited warranty. The Limited Lifetime warranty covers a product during the Life of that Product, which is defined as the period of time during which the product is an “Active” SMC product. A product is considered to be “Active” while it is listed on the current SMC price list. As new technologies emerge, older technologies become obsolete and SMC will, at its discretion, replace an older product in its product line with one that incorporates these newer technologies. At that point, the obsolete product is discontinued and is no longer an “Active” SMC product. A list of discontinued products with their respective dates of discontinuance can be found at:

http://www.smc.com/index.cfm?action=customer_service_warranty.

All products that are replaced become the property of SMC. Replacement products may be either new or reconditioned. Any replaced or repaired product carries either a 30-day limited warranty or the remainder of the initial warranty, whichever is longer. SMC is not responsible for any custom software or firmware, configuration information, or memory data of Customer contained in, stored on, or integrated with any products returned to SMC pursuant to any warranty. Products returned to SMC should have any customer-installed accessory or add-on components, such as expansion modules, removed prior to returning the product for replacement. SMC is not responsible for these items if they are returned with the product.

Customers must contact SMC for a Return Material Authorization number prior to returning any product to SMC. Proof of purchase may be required. Any product returned to SMC without a valid Return Material Authorization (RMA) number clearly marked on the outside of the package will be returned to customer at customer’s expense. For warranty claims within North America, please call our toll-free customer support number at (800) 762-4968.

Customers are responsible for all shipping charges from their facility to SMC. SMC is responsible for return shipping charges from SMC to customer.

WARRANTIES EXCLUSIVE: IF AN SMC PRODUCT DOES NOT OPERATE AS WARRANTED ABOVE, CUSTOMER’S SOLE REMEDY SHALL BE REPAIR OR REPLACEMENT OF THE PRODUCT IN QUESTION, AT SMC’S OPTION. THE FOREGOING WARRANTIES AND REMEDIES ARE EXCLUSIVE AND ARE IN LIEU OF ALL OTHER WARRANTIES OR CONDITIONS, EXPRESS OR IMPLIED, EITHER IN FACT OR BY OPERATION OF LAW, STATUTORY OR OTHERWISE, INCLUDING WARRANTIES OR CONDITIONS OF MERCHANTABILITY AND FITNESS FOR A PARTICULAR PURPOSE. SMC NEITHER ASSUMES NOR AUTHORIZES ANY OTHER PERSON TO ASSUME FOR IT ANY OTHER

LIMITED WARRANTY

LIABILITY IN CONNECTION WITH THE SALE, INSTALLATION, MAINTENANCE OR USE OF ITS PRODUCTS. SMC SHALL NOT BE LIABLE UNDER THIS WARRANTY IF ITS TESTING AND EXAMINATION DISCLOSE THE ALLEGED DEFECT IN THE PRODUCT DOES NOT EXIST OR WAS CAUSED BY CUSTOMER'S OR ANY THIRD PERSON'S MISUSE, NEGLIGENCE, IMPROPER INSTALLATION OR TESTING, UNAUTHORIZED ATTEMPTS TO REPAIR, OR ANY OTHER CAUSE BEYOND THE RANGE OF THE INTENDED USE, OR BY ACCIDENT, FIRE, LIGHTNING, OR OTHER HAZARD.

LIMITATION OF LIABILITY: IN NO EVENT, WHETHER BASED IN CONTRACT OR TORT (INCLUDING NEGLIGENCE), SHALL SMC BE LIABLE FOR INCIDENTAL, CONSEQUENTIAL, INDIRECT, SPECIAL, OR PUNITIVE DAMAGES OF ANY KIND, OR FOR LOSS OF REVENUE, LOSS OF BUSINESS, OR OTHER FINANCIAL LOSS ARISING OUT OF OR IN CONNECTION WITH THE SALE, INSTALLATION, MAINTENANCE, USE, PERFORMANCE, FAILURE, OR INTERRUPTION OF ITS PRODUCTS, EVEN IF SMC OR ITS AUTHORIZED RESELLER HAS BEEN ADVISED OF THE POSSIBILITY OF SUCH DAMAGES.

SOME STATES DO NOT ALLOW THE EXCLUSION OF IMPLIED WARRANTIES OR THE LIMITATION OF INCIDENTAL OR CONSEQUENTIAL DAMAGES FOR CONSUMER PRODUCTS, SO THE ABOVE LIMITATIONS AND EXCLUSIONS MAY NOT APPLY TO YOU. THIS WARRANTY GIVES YOU SPECIFIC LEGAL RIGHTS, WHICH MAY VARY FROM STATE TO STATE. NOTHING IN THIS WARRANTY SHALL BE TAKEN TO AFFECT YOUR STATUTORY RIGHTS.

* SMC will provide warranty service for one year following discontinuance from the active SMC price list. Under the limited lifetime warranty, internal and external power supplies, fans, and cables are covered by a standard one-year warranty from date of purchase.

SMC Networks, Inc.
38 Tesla
Irvine, CA 92618

COMPLIANCES

FCC - Class A

This equipment generates, uses, and can radiate radio frequency energy and, if not installed and used in accordance with the instruction manual, may cause interference to radio communications. It has been tested and found to comply with the limits for a Class A computing device pursuant to Subpart B of Part 15 of FCC Rules, which are designed to provide reasonable protection against such interference when operated in a commercial environment. Operation of this equipment in a residential area is likely to cause interference, in which case the user, at his own expense, will be required to take whatever measures may be required to correct the interference. You are cautioned that changes or modifications not expressly approved by the party responsible for compliance could void your authority to operate the equipment.

You may use unshielded twisted-pair (UTP) cable for RJ-45 connections—Category 3 or greater for 10 Mbps connections, Category 5 for 100 Mbps connections and Category 5 or 5e for 1000 Mbps connections. Use 50/125 or 62.5/125 micron multimode fiber optic cable, or 9/125 micron single-mode cable, for SFP transceiver connections.

- Warnings:**
- 1.** Wear an anti-static wrist strap or take other suitable measures to prevent electrostatic discharge when handling this equipment.
 - 2.** When connecting this switch to a power outlet, connect the field ground lead on the tri-pole power plug to a valid earth ground line to prevent electrical hazards.

EC Conformance Declaration - Class A

SMC contact for these products in Europe is:

SMC Networks Europe,
Edificio Conata II,
Calle Frutuós Gelabert 6-8, 2^a, 4^a,
08970 - Sant Joan Despí, Barcelona, Spain.

This information technology equipment complies with the requirements of the Council Directive 89/336/EEC on the Approximation of the laws of the Member States relating to Electromagnetic Compatibility and 73/23/EEC for electrical equipment used within certain

COMPLIANCES

voltage limits and the Amendment Directive 93/68/EEC. For the evaluation of the compliance with these Directives, the following standards were applied:

- RFI Emission:
- Limit class A according to EN 55022:1998
 - Limit class A for harmonic current emission according to EN 61000-3-2/1995
 - Limitation of voltage fluctuation and flicker in low-voltage supply system according to EN 61000-3-3/1995
- Immunity:
- Product family standard according to EN 55024:1998
 - Electrostatic Discharge according to EN 61000-4-2:1995 (Contact Discharge: ± 4 kV, Air Discharge: ± 8 kV)
 - Radio-frequency electromagnetic field according to EN 61000-4-3:1996 (80 - 1000 MHz with 1 kHz AM 80% Modulation: 3 V/m)
 - Electrical fast transient/burst according to EN 61000-4-4:1995 (AC/DC power supply: ± 1 kV, Data/Signal lines: ± 0.5 kV)
 - Surge immunity test according to EN 61000-4-5:1995 (AC/DC Line to Line: ± 1 kV, AC/DC Line to Earth: ± 2 kV)
 - Immunity to conducted disturbances, Induced by radio-frequency fields: EN 61000-4-6:1996 (0.15 - 80 MHz with 1 kHz AM 80% Modulation: 3 V/m)
 - Power frequency magnetic field immunity test according to EN 61000-4-8:1993 (1 A/m at frequency 50 Hz)
 - Voltage dips, short interruptions and voltage variations immunity test according to EN 61000-4-11:1994 (>95% Reduction @10 ms, 30% Reduction @500 ms, >95% Reduction @5000 ms)
- LVD:
- EN 60950 (A1/1992; A2/1993; A3/1993; A4/1995; A11/1997)

Warning: Do not plug a phone jack connector in the RJ-45 port. This may damage this device. Les raccordeurs ne sont pas utilisés pour le système téléphonique!

Industry Canada - Class A

This digital apparatus does not exceed the Class A limits for radio noise emissions from digital apparatus as set out in the interference-causing equipment standard entitled “Digital Apparatus,” ICES-003 of the Department of Communications.

Cet appareil numérique respecte les limites de bruits radioélectriques applicables aux appareils numériques de Classe A prescrites dans la norme sur le matériel brouilleur: “Appareils Numériques,” NMB-003 édictée par le ministère des Communications.

Japan VCCI Class A

この装置は、情報処理装置等電波障害自主規制協議会（VCCI）の基準に基づくクラスA情報技術装置です。この装置を家庭環境で使用すると電波妨害を引き起こすことがあります。この場合には使用者が適切な対策を講ずるよう要求されることがあります。

Taiwan BSMI Class A

警告使用者：這是甲類的資訊產品，在居住的環境中使用時，可能會造成射頻干擾，在這種情況下，使用者會被要求採取某些適當的對策。

Australia AS/NZS 3548 (1995) - Class A



ACN 069 351 613

SMC contact for products in Australia is:

SMC Communications Pty. Ltd.
Suite 18, 12 Tryon Road,
Lindfield NSW2070,
Phone: 61-2-94160437
Fax: 61-2-94160474

Safety Compliance

Warning: Fiber Optic Port Safety



When using a fiber optic port, never look at the transmit laser while it is powered on. Also, never look directly at the fiber TX port and fiber cable ends when they are powered on.

Avertissement: Ports pour fibres optiques - sécurité sur le plan optique



Ne regardez jamais le laser tant qu'il est sous tension. Ne regardez jamais directement le port TX (Transmission) à fibres optiques et les embouts de câbles à fibres optiques tant qu'ils sont sous tension.

Warnhinweis: Faseroptikanschlüsse - Optische Sicherheit



Niemals ein Übertragungslaser betrachten, während dieses eingeschaltet ist. Niemals direkt auf den Faser-TX-Anschluß und auf die Faserkabelenden schauen, während diese eingeschaltet sind.

Underwriters Laboratories Compliance Statement

Important! Before making connections, make sure you have the correct cord set. Check it (read the label on the cable) against the following:

Operating Voltage	Cord Set Specifications
120 Volts	UL Listed/CSA Certified Cord Set
	Minimum 18 AWG
	Type SVT or SJT three conductor cord
	Maximum length of 15 feet
	Parallel blade, grounding type attachment plug rated 15 A, 125 V
240 Volts (Europe only)	Cord Set with H05VV-F cord having three conductors with minimum diameter of 0.75 mm ²
	IEC-320 receptacle
	Male plug rated 10 A, 250 V

The unit automatically matches the connected input voltage. Therefore, no additional adjustments are necessary when connecting it to any input voltage within the range marked on the rear panel.

Wichtige Sicherheitshinweise (Germany)

1. Bitte lesen Sie diese Hinweise sorgfältig durch.
2. Heben Sie diese Anleitung für den späteren Gebrauch auf.
3. Vor jedem Reinigen ist das Gerät vom Stromnetz zu trennen. Verwenden Sie keine Flüssigoder Aerosolreiniger. Am besten eignet sich ein angefeuchtetes Tuch zur Reinigung.
4. Die Netzanschlusßsteckdose soll nahe dem Gerät angebracht und leicht zugänglich sein.
5. Das Gerät ist vor Feuchtigkeit zu schützen.
6. Bei der Aufstellung des Gerätes ist auf sicheren Stand zu achten. Ein Kippen oder Fallen könnte Beschädigungen hervorrufen.
7. Die Belüftungsöffnungen dienen der Luftzirkulation, die das Gerät vor Überhitzung schützt. Sorgen Sie dafür, daß diese Öffnungen nicht abgedeckt werden.
8. Beachten Sie beim Anschluß an das Stromnetz die Anschlußwerte.
9. Verlegen Sie die Netzanschlußleitung so, daß niemand darüber fallen kann. Es sollte auch nichts auf der Leitung abgestellt werden.
10. Alle Hinweise und Warnungen, die sich am Gerät befinden, sind zu beachten.
11. Wird das Gerät über einen längeren Zeitraum nicht benutzt, sollten Sie es vom Stromnetz trennen. Somit wird im Falle einer Überspannung eine Beschädigung vermieden.
12. Durch die Lüftungsöffnungen dürfen niemals Gegenstände oder Flüssigkeiten in das Gerät gelangen. Dies könnte einen Brand bzw. elektrischen Schlag auslösen.
13. Öffnen sie niemals das Gerät. Das Gerät darf aus Gründen der elektrischen Sicherheit nur von autorisiertem Servicepersonal geöffnet werden.
14. Wenn folgende Situationen auftreten ist das Gerät vom Stromnetz zu trennen und von einer qualifizierten Servicestelle zu überprüfen:
 - a. Netzkabel oder Netzstecker sind beschädigt.
 - b. Flüssigkeit ist in das Gerät eingedrungen.
 - c. Das Gerät war Feuchtigkeit ausgesetzt.
 - d. Wenn das Gerät nicht der Bedienungsanleitung entsprechend funktioniert oder Sie mit Hilfe dieser Anleitung keine Verbesserung erzielen.
 - e. Das Gerät ist gefallen und/oder das Gehäuse ist beschädigt.
 - f. Wenn das Gerät deutliche Anzeichen eines Defektes aufweist.
15. Zum Netzanschluß dieses Gerätes ist eine geprüfte Leitung zu verwenden. Für einen Nennstrom bis 6 A und einem Gerätegewicht größer 3 kg ist eine Leitung nicht leichter als H05VV-F, 3G, 0.75 mm² einzusetzen.

Der arbeitsplatzbezogene Schalldruckpegel nach DIN 45 635 Teil 1000 beträgt 70 dB(A) oder weniger.

COMPLIANCES

CONTENTS

1	About the TigerSwitch 10/100	1-1
	Overview	1-1
	Switch Architecture	1-2
	Switching Method	1-2
	Management Options	1-2
	Spanning Tree Protocol	1-3
	VLANs	1-3
	Multicast Switching	1-3
	Traffic Priority	1-4
	Description of Hardware	1-5
	10BASE-T/100BASE-TX Ports	1-5
	1000BASE-T/SFP Ports	1-5
	Status LEDs	1-6
	Optional Redundant Power Unit	1-8
	Power Supply Receptacles	1-8
	Features and Benefits	1-9
	Connectivity	1-9
	Performance	1-9
	Management	1-11
2	Network Planning	2-1
	Introduction to Switching	2-1
	Sample Applications	2-2
	Collapsed Backbone	2-2
	Central Wiring Closet	2-3
	Remote Connections with Fiber Cable	2-4
	Making VLAN Connections	2-5
	Connectivity Rules	2-6
	1000 Mbps Gigabit Ethernet Collision Domain	2-6
	100 Mbps Fast Ethernet Collision Domain	2-7
	Maximum Fast Ethernet Cable Distance	2-7
	SMC 3-2 Rule for Class II Repeaters	2-7
	SMC 2-1 Rule for Class I Repeaters	2-7
	10 Mbps Ethernet Collision Domain	2-8
	Maximum Ethernet Cable Distance	2-8
	Maximum Network Diameter Using Repeaters	2-8

	SMC 5-4-3 Rule	2-8
	Application Notes	2-9
3	Installing the Switch	3-1
	Selecting a Site	3-1
	Equipment Checklist	3-2
	Package Contents	3-2
	Optional Rack-Mounting Equipment	3-2
	Mounting	3-3
	Rack Mounting	3-3
	Desktop or Shelf Mounting	3-5
	Connecting to a Power Source	3-6
4	Making Network Connections	4-1
	Connecting Network Devices	4-1
	Twisted-Pair Devices	4-1
	Cabling Guidelines	4-1
	Connecting to PCs, Servers, Hubs and Switches	4-2
	Wiring Closet Connections	4-3
A	Troubleshooting	A-1
	Diagnosing Switch Indicators	A-1
	Power and Cooling Problems	A-1
	Installation	A-2
	In-Band Access	A-2
B	Cables	B-1
	Specifications	B-1
	Twisted-Pair Cable and Pin Assignments	B-2
	100BASE-TX/10BASE-T Pin Assignments	B-3
	1000BASE-T Pin Assignments	B-4
	1000BASE-T Cable Requirements	B-5
	Cable Testing for Existing Category 5 Cable	B-5
	Adjusting Existing Category 5 Cabling to Run 1000BASE-T	B-5
	Console Port Pin Assignments	B-6
	DB-9 Port Pin Assignments	B-6
	Console Port to 9-Pin COM Port on PC	B-6

Console Port to 25-Pin DTE Port on PCB-7

C Specifications C-1

Physical CharacteristicsC-1
Switch FeaturesC-3
Management FeaturesC-4
StandardsC-4
CompliancesC-5
WarrantyC-5

D Ordering InformationD-1

Glossary

Index

CONTENTS

CHAPTER 1

ABOUT THE

TIGERSWITCH 10/100

Overview

SMC's TigerSwitch™ 10/100 is an intelligent Fast Ethernet switch with 48 10BASE-T/100BASE-TX ports and two 10/100/1000BASE-T combo ports that operate in combination with 2 Small Form Factor Pluggable (SFP) transceiver slots. This switch can easily tame your network with full support for Spanning Tree Protocol, Multicast Switching, Virtual LANs, and Layer 2/3/4 CoS services.

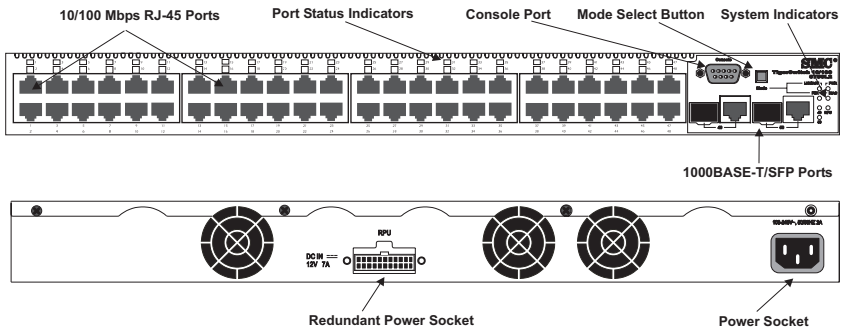


Figure 1-1. Front and Rear Panels

Switch Architecture

The TigerSwitch 10/100 employs a wire-speed, non-blocking switching fabric. This permits simultaneous wire-speed transport of multiple packets at low latency on all ports. This switch also features full-duplex capability on all ports, which effectively doubles the bandwidth of each connection.

Switching Method

The switch uses store-and-forward switching to ensure maximum data integrity. With store-and-forward switching, the entire packet must be received into a buffer and checked for validity before being forwarded. This prevents errors from being propagated throughout the network.

Management Options

This switch contains a comprehensive array of LEDs for “at-a-glance” monitoring of network and port status. It also includes a built-in network management agent that allows the switch to be managed in-band using SNMP or RMON (Groups 1, 2, 3 and 9) protocols, with a Web browser, or remotely via Telnet. The switch provides an RS-232 serial port (DB-9 connector) on the front panel for out-of-band management. A PC may be connected to this port for configuration and monitoring out-of-band via a null-modem cable. (See Appendix B for wiring options.)

This switch provides a wide range of advanced performance-enhancing features. Port-based and tagged VLANs, plus support for automatic GVRP VLAN registration and IGMP multicast filtering provide traffic security and efficient use of network bandwidth. QoS priority queuing ensures the minimum delay for moving real-time multimedia data across the network. Flow control eliminates the loss of packets due to bottlenecks caused by port saturation. Broadcast storm control prevents broadcast traffic storms from engulfing the network. Some of this switch’s advanced features are described below. For a detailed description, refer to the Management Guide.

Spanning Tree Protocol

The TigerSwitch 10/100 supports IEEE 802.1D Spanning Tree Protocol. This protocol adds a level of fault tolerance by allowing two or more redundant connections to be created between a pair of LAN segments. When there are multiple physical paths between segments, the protocol will choose a single path and disable all others to ensure that only one route exists between any two stations on the network. This prevents the creation of network loops. However, if the chosen path should fail for any reason, an alternate path will be activated to maintain the connection.

The default setting for the Spanning Tree Protocol is “enabled.” This protocol may be configured out-of-band via the serial console port, or in-band via the Web interface, Telnet, or SNMP network management software.

VLANs

The TigerSwitch 10/100 supports up to 255 VLANs. A Virtual LAN is a collection of network nodes that share the same collision domain regardless of their physical location or connection point in the network. By segmenting your network into VLANs, you can:

- Eliminate broadcast storms which severely degrade performance in a flat network.
- Simplify network management for node changes/moves by remotely configuring VLAN membership for any port, rather than having to manually change the node’s IP address.
- Provide data security by restricting all traffic to the originating VLAN, except where a connection is explicitly defined via the switch’s routing service.

Multicast Switching

Specific multicast traffic can be assigned to its own VLAN to ensure that it does not interfere with normal network traffic and to guarantee real-time delivery by setting the required priority level for the designated VLAN. The switch uses IGMP Snooping and IGMP to manage multicast group registration.

Traffic Priority

This switch provides Class of Service (CoS) by prioritizing each packet based on the required level of service, using four distinct queues with Weighted Round Robin queuing for each port. It uses IEEE 802.1p and 802.1Q tags to prioritize incoming traffic based on input from the end-station application. Also, the switch provides Layer 3/4 priority mapping of IP Precedence/DSCP values or IP TCP/UDP port numbers to the IEEE 802.1p priority tag of each frame. These functions can be used to provide independent priorities for different types of traffic, such as delay-sensitive data and best-effort data.

Description of Hardware

10BASE-T/100BASE-TX Ports

These are dual-speed RJ-45 ports. Because all ports on this switch support automatic MDI/MDI-X operation, you can use straight-through cables for all network connections to PCs or servers, or to other switches or hubs. (See“100BASE-TX/10BASE-T Pin Assignments” on page B-3.)

Each of these ports support auto-negotiation, so the optimum transmission mode (half or full duplex), and data rate (10 or 100 Mbps) can be selected automatically. If a device connected to one of these ports does not support auto-negotiation, the communication mode of that port can be configured manually.

Each port also supports IEEE 802.3x auto-negotiation of flow control, so the switch can automatically prevent port buffers from becoming saturated.

1000BASE-T/SFP Ports

These are combo Gigabit RJ-45 ports with shared Small Form Factor Pluggable (SFP) transceiver slots. If an SFP transceiver (purchased separately) is installed in a slot, the associated RJ-45 port is disabled and cannot be used.

The 1000BASE-T RJ-45 ports support automatic MDI/MDI-X operation, so you can use straight-through cables for all network connections to PCs or servers, or to other switches or hubs. (See“1000BASE-T Pin Assignments” on page B-4.)

Status LEDs

The LEDs, which are located on the front panel for easy viewing, are shown below and described in the following table.

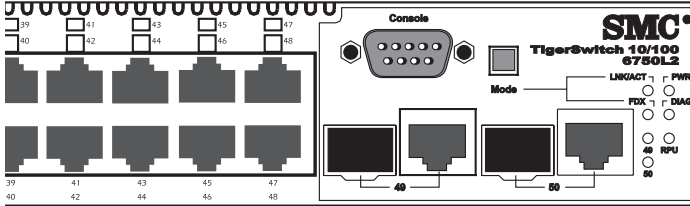


Figure 1-2. Port and System LEDs

Port Status LEDs		
LED	Condition	Status
Fast Ethernet Ports (Ports 1~48)		
Link/Act.*	On/Flashing Amber	Port has established a valid 10 Mbps network connection. Flashing indicates activity.
	On/Flashing Green	Port has established a valid 100 Mbps network connection. Flashing indicates activity.
	Off	There is no valid link on the port.
Gigabit Ethernet Ports (Ports 49~50)		
Link/Act.*	On/Flashing Amber	Port has established a valid 10 Mbps or 100 Mbps network connection. Flashing indicates activity.
	On/Flashing Green	Port has established a valid 1000 Mbps network connection. Flashing indicates activity.
	Off	There is no valid link on the port.
FDX* (all ports)	On Green	Port is operating in full-duplex mode.
	Off	Port is operating in half-duplex mode.

*Use the Mode Select button to select the LED display mode.

System Status LEDs		
LED	Condition	Status
Power	On Green	The unit's internal power supply is operating normally.
	On Red	The unit's internal power supply has failed.
	Off	The unit has no power connected.
RPU	On Green	The redundant power supply is operating normally.
	On Red	The redundant power supply has failed.
	Off	No redundant power supply is connected.
Diag.	On Green	The system diagnostic test has completed successfully.
	Flashing Green	The system diagnostic test is in progress.
	On Red	The system diagnostic test has detected a fault.

Optional Redundant Power Unit

SMC provides an optional Redundant Power Unit (RPU), SMCRPS600W, that can supply power to the switch in the event of failure of the internal power supply.

Power Supply Receptacles

There are two power receptacles on the rear panel of the switch. The standard power receptacle is for the AC power cord. The receptacle labeled “DC Input” is for the optional Redundant Power Unit (RPU).

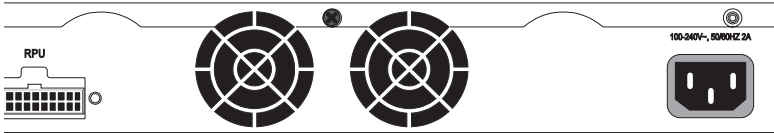


Figure 1-3. Power Supply Receptacles

Features and Benefits

Connectivity

- ◆ 48 dual-speed ports for easy Fast Ethernet integration and for protection of your investment in legacy LAN equipment
- ◆ 2 10/100/1000BASE-T auto-sensing Gigabit Ethernet switching ports that operate in combination with 2 Small Form Factor Pluggable (SFP) transceiver slots
- ◆ Auto-negotiation enables each RJ-45 port to automatically select the optimum communication mode (half or full duplex) if this feature is supported by the attached device; otherwise the port can be configured manually
- ◆ Independent RJ-45 10BASE-T/100BASE-TX ports with support for auto MDI/MDI-X
- ◆ Unshielded (UTP) cable supported on all RJ-45 ports: Category 3, 4 or 5 for 10 Mbps connections, Category 5 for 100 Mbps connections, and Category 5 or 5e for 1000 Mbps connections
- ◆ IEEE 802.3u, IEEE 802.3z, and IEEE 802.3ab compliant
- ◆ Up to 8K-entry, media access control (MAC) address cache
- ◆ IEEE 802.1Q based tagged VLAN
- ◆ IEEE 802.1p Class of Service (CoS) through 4 priority queues for each port
- ◆ IEEE 802.3ad link aggregation: up to 6 aggregated trunks per switch

Performance

- ◆ Transparent bridging
- ◆ Provides Store-and-Forward switching
- ◆ Supports flow control, using back pressure for half duplex and IEEE 802.3x for full duplex
- ◆ Spanning Tree Protocol
- ◆ Broadcast storm control
- ◆ Internet group management protocol (IGMP) snooping support
- ◆ Back pressure flow control for half-duplex operation
- ◆ Port mirroring
- ◆ Auto MDI/MDIX support for the 10/100BASE-TX and the 10/100/1000BASE-T ports
- ◆ MAC addresses lookup based on port, virtual local area network (VLAN) ID, and MAC addresses
- ◆ Includes support for an optional Redundant Power Unit
- ◆ Desktop or rack-mountable
- ◆ Limited lifetime warranty

Management

- ◆ “At-a-glance” LEDs for easy troubleshooting
- ◆ Network management agent:
 - Web-based management with embedded HTTP server
 - Command line management through 4 in-band Telnet sessions, and an out-of-band RS-232 console port (VT100)
 - Simple network management protocol (SNMP)-based network management via an SNMP management console application
 - RADIUS access control
 - Software upload via TFTP
 - Dual firmware image support
 - Supports BOOTP and DHCP for IP address assignment
 - Hardware assisted remote monitoring (RMON) statistics collection

ABOUT THE TIGERSWITCH 10/100

CHAPTER 2

NETWORK PLANNING

Introduction to Switching

A network switch allows simultaneous transmission of multiple packets via non-crossbar switching. This means that it can partition a network more efficiently than bridges or routers. The switch has, therefore, been recognized as one of the most important building blocks for today's networking technology.

When performance bottlenecks are caused by congestion at the network access point (such as the network card for a high-volume file server), the device experiencing congestion (server, power user or hub) can be attached directly to a switched port. And, by using full-duplex mode, the bandwidth of the dedicated segment can be doubled to maximize throughput.

When networks are based on repeater (hub) technology, the maximum distance between end stations is limited. For Ethernet, there may be up to four hubs between any pair of stations; for Fast Ethernet, the maximum is two. This is known as the hop count. However, a switch turns the hop count back to zero, so subdividing the network into smaller and more manageable segments, and linking them to the larger network by means of a switch, removes this limitation.

A switch can be easily configured in any Ethernet or Fast Ethernet network to significantly boost bandwidth while using conventional cabling and network cards.

Sample Applications

The TigerSwitch 10/100 is not only designed to segment your network, but also to provide a wide range of options in setting up network connections. Some typical applications are described below.

Collapsed Backbone

The TigerSwitch 10/100 is an excellent choice for mixed Ethernet and Fast Ethernet installations where significant growth is expected in the near future. You can easily build on this basic configuration, adding direct full-duplex connections to workstations or servers. When the time comes for further expansion, just cascade the TigerSwitch to an Ethernet or Fast Ethernet hub or switch.

In the figure below, the TigerSwitch 10/100 is operating as a collapsed backbone for a small LAN. It is providing dedicated 20 Mbps full-duplex connections to workstations and 200 Mbps full-duplex connections to power users and servers.

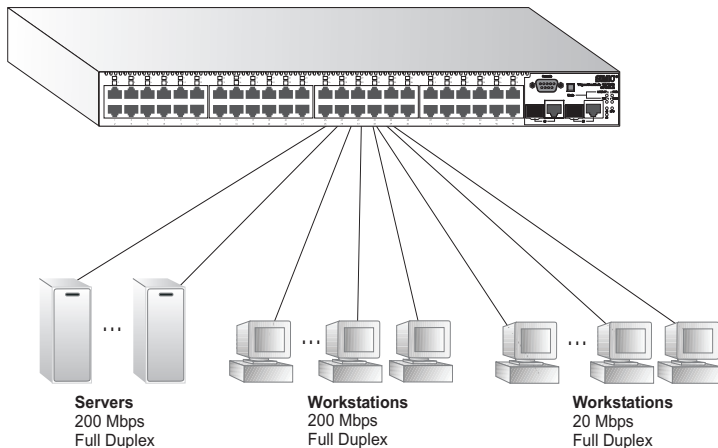


Figure 2-1. Collapsed Backbone

Central Wiring Closet

With 50 parallel bridging ports (i.e., 50 distinct collision domains), the TigerSwitch 10/100 can collapse a complex network down into a single efficient bridged node, increasing overall bandwidth and throughput.

In the figure below, the 10BASE-T/100BASE-TX ports on the TigerSwitch are providing 100 Mbps connectivity for up to 48 segments. In addition, the switch is also connecting servers at 200 Mbps.

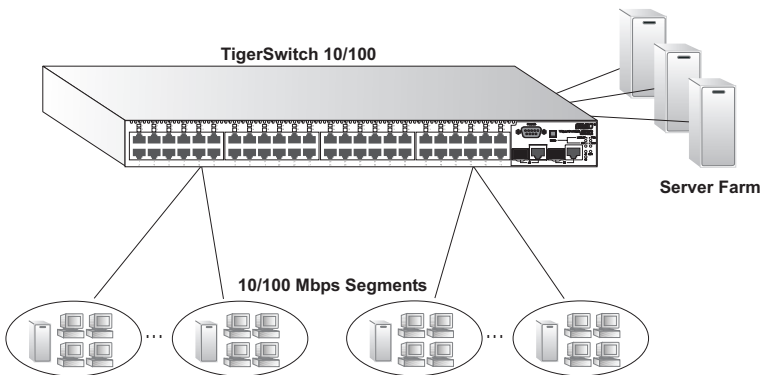


Figure 2-2. Central Wiring Closet

Remote Connections with Fiber Cable

Fiber optic technology allows for longer cabling than any other media type. A 1000BASE-LX SFP transceiver link can connect to a site up to 5 km away. This allows the TigerSwitch 100 to serve as a collapsed backbone, providing direct connectivity for a widespread LAN. A Gigabit SFP transceiver can also be used for a high-speed connection between floors in the same building, or to connect to other buildings in a campus setting. The figure below illustrates a TigerSwitch 10/100 connecting multiple segments with fiber cable.

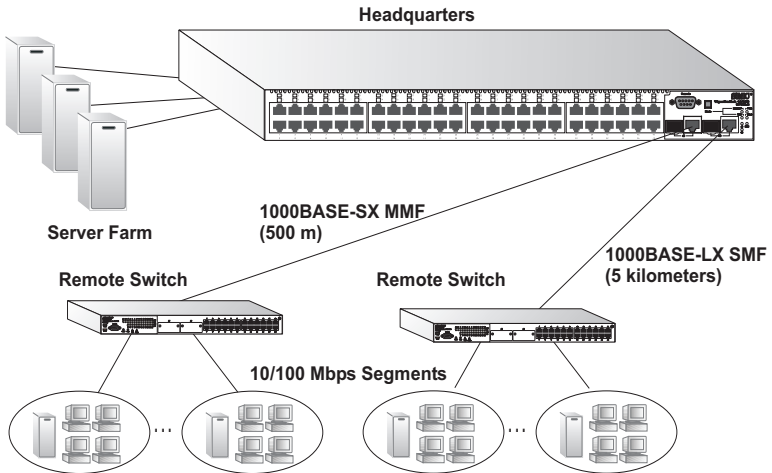


Figure 2-3. Collapsed Backbone Using Fiber Cable

Making VLAN Connections

VLANs can be based on port groups, or each data frame can be explicitly tagged to identify the VLAN group it belongs to. When using port-based VLANs, ports can either be assigned to one specific group or to all groups. Port-based VLANs are suitable for small networks. A single switch can be easily configured to support several VLAN groups for various organizational entities (such as Finance and Marketing).

When you expand port-based VLANs across several switches, you need to make a separate connection for each VLAN group. This approach is, however, inconsistent with the Spanning Tree Protocol, which can easily segregate ports that belong to the same VLAN. When VLANs cross separate switches, it is therefore better to use VLAN tagging. This allows you to assign multiple VLAN groups to the “trunk” ports (that is, tagged ports) connecting different switches.

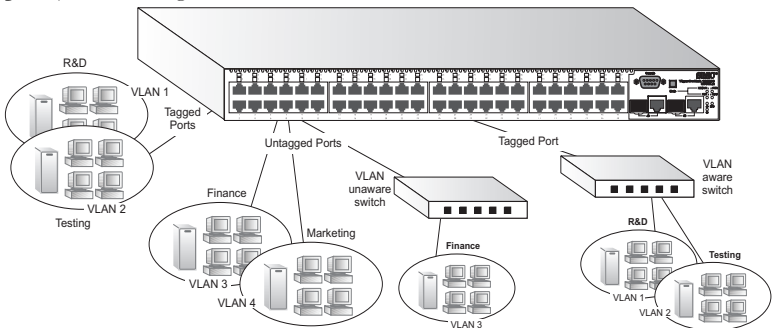


Figure 2-4. Making VLAN Connections

Note: When connecting to a switch that does not support IEEE 802.1Q VLAN tags, use untagged ports.

Connectivity Rules

When adding hubs (repeaters) to your network, please follow the connectivity rules listed below for Ethernet, Fast Ethernet, and Gigabit Ethernet. However, note that because switches break up the path for connected devices into separate collision domains, you should not include the switch or connected cabling in your calculations for cascade length involving other devices.

1000 Mbps Gigabit Ethernet Collision Domain

Maximum 1000BASE-T Gigabit Ethernet Cable Length	
Cable Type	Maximum Cable Length
Category 5, 5e 100-ohm UTP or STP	100 m (328 ft)

Maximum 1000BASE-SX Fiber Optic Cable Distance		
Fiber Diameter	Fiber Bandwidth	Cable Length Range
62.5/125 micron multimode fiber (MMF)	160 MHz/km	2-220 m (7-722 ft.)
	200 MHz/km	2-275 m (7-902 ft.)
50/125 micron MMF	400 MHz/km	2-500 m (7-1641 ft.)
	500 MHz/km	2-550 m (7-1805 ft.)

Maximum 1000BASE-LX Fiber Optic Cable Distance		
Fiber Diameter	Fiber Bandwidth	Cable Length Range
9/125 micron single-mode fiber (SMF)	N/A	2 m - 5 km (7-16,404 ft)

Note: Although maximum cable length for 100BASE-FX fiber depends on the duplex mode, the maximum length for 1000BASE-X fiber is the same for both half and full duplex.

100 Mbps Fast Ethernet Collision Domain

Maximum Fast Ethernet Cable Distance

Type	Cable Type	Max. Cable Length
100BASE-TX	Category 5 100-ohm UTP or STP	100 m (328 ft.)
100BASE-FX Multimode	50/125 or 62.5/125 micron core multimode fiber (MMF)	2 km (1.24 miles)
100BASE-FX Single-Mode	9/125 micron core single-mode fiber (SMF)	20 km (12.43 miles)

SMC 3-2 Rule for Class II Repeaters

Between any two PCs or other stations in the same 100BASE-TX collision domain, there may be:

- up to 3 link segments
- up to 2 Class II repeaters (hubs)

SMC 2-1 Rule for Class I Repeaters

Between any two PCs or other stations in the same 100BASE-TX collision domain, there may be:

- up to 2 link segments and
- up to 1 Class I repeater (hub)

10 Mbps Ethernet Collision Domain

Maximum Ethernet Cable Distance

Cable Type	Maximum Length
Twisted Pair, Categories 3, 4, 5	100 m (328 ft)
Thin Coax	185 m (607 ft)
External Transceiver Drop	50 m (165 ft)

Maximum Network Diameter Using Repeaters

Repeater Type and Number	Twisted Pair 100BASE-TX
1 Class I	200 m (656 ft)
1 Class II	200 m (656 ft)
2 Class II	205 m (672.4 ft)

SMC 5-4-3 Rule

Between any two PCs or other stations in the same 10 Mbps collision domain, there may be:

- up to 5 link segments in series
- up to 4 repeaters (hubs)
- up to 3 populated cable segments, that is, segments attached to two or more PCs (coax networks only)*

* The remaining two segments are unpopulated; these are known as inter-repeater links or IRLs. This distinction between populated and unpopulated segments is significant for coax networks only.

Application Notes

1. Full-duplex operation only applies to point-to-point access (such as when a switch is attached to a workstation, server or another switch). When the switch is connected to a hub, both devices must operate in half-duplex mode.
2. When a switch is connected to a hub or any kind of shared media, remember to turn off back pressure to prevent jamming packets from being propagated throughout the hub.
3. For network applications that require routing between dissimilar network types, you can attach the TigerSwitch 10/100 units directly to a router.
4. As a general rule the length of fiber optic cable for a single switched link should not exceed:
 - Gigabit Ethernet — 550 m (1805 ft) for multimode fiber or 5 km (16404 ft) for single-mode fiber.
 - Fast Ethernet — 2 km (1.24 miles) for multimode fiber or 20 km (2.43 miles) for single-mode fiber.

However, power budget constraints must also be considered when calculating the maximum cable length for your specific environment.

NETWORK PLANNING

CHAPTER 3

INSTALLING THE SWITCH

Selecting a Site

TigerSwitch 10/100 units can be mounted in a standard 19-inch equipment rack or on a flat surface. Be sure to follow the guidelines below when choosing a location.

- ◆ The site should:
 - be at the center of all the devices you want to link and near a power outlet.
 - be able to maintain its temperature within 0 to 50 °C (32 to 122 °F) and its humidity within 5% to 95%, non-condensing
 - provide adequate space (approximately two inches) on all sides for proper air flow
 - be accessible for installing, cabling and maintaining the devices
 - allow the status LEDs to be clearly visible
- ◆ Make sure twisted-pair cable is always routed away from power lines, fluorescent lighting fixtures and other sources of electrical interference, such as radios and transmitters.
- ◆ Make sure that a separate grounded power outlet that provides 100 to 240 VAC, 50 to 60 Hz, is within 2.44 m (8 feet) of each device and is powered from an independent circuit breaker. As with any equipment, using a filter or surge suppressor is recommended.

Equipment Checklist

After unpacking the TigerSwitch 10/100, check the contents to be sure you have received all the components. Then, before beginning the installation, be sure you have all other necessary installation equipment.

Package Contents

- ◆ TigerSwitch 10/100 unit (SMC6750L2)
- ◆ Four adhesive foot pads
- ◆ Bracket Mounting Kit containing two brackets and eight screws for attaching the brackets to the switch
- ◆ Power Cord—either US, Continental Europe or UK
- ◆ RS-232 console cable
- ◆ This Installation Guide
- ◆ Management Guide
- ◆ SMC Warranty Registration Card—be sure to complete and return to SMC

Optional Rack-Mounting Equipment

If you plan to rack-mount the switch, be sure to have the following equipment available:

- ◆ Four mounting screws for each device you plan to install in a rack—these are not included
- ◆ A screwdriver (Phillips or flathead, depending on the type of screws used)

Mounting

A TigerSwitch 10/100 unit can be mounted in a standard 19-inch equipment rack or on a desktop or shelf. Mounting instructions for each type of site follow.

Rack Mounting

Before rack mounting the switch, pay particular attention to the following factors:

- ◆ Temperature: Since the temperature within a rack assembly may be higher than the ambient room temperature, check that the rack-environment temperature is within the specified operating temperature range. (See page C-2.)
- ◆ Mechanical Loading: Do not place any equipment on top of a rack-mounted unit.
- ◆ Circuit Overloading: Be sure that the supply circuit to the rack assembly is not overloaded.
- ◆ Grounding: Rack-mounted equipment should be properly grounded. Particular attention should be given to supply connections other than direct connections to the mains.

INSTALLING THE SWITCH

To rack-mount devices:

1. Attach the brackets to the device using the screws provided in the Bracket Mounting Kit.

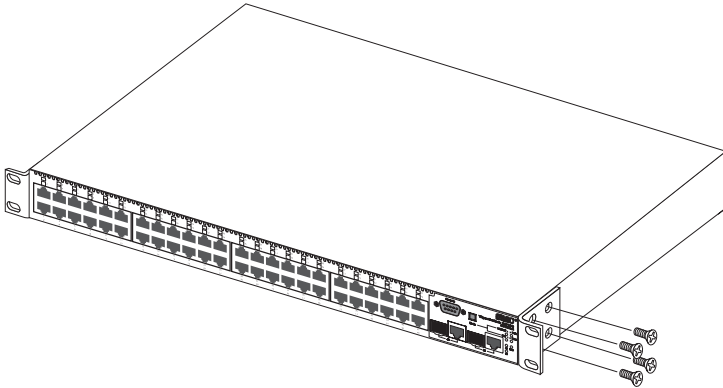


Figure 3-1. Attaching the Brackets

2. Mount the device in the rack, using four rack-mounting screws (not provided).

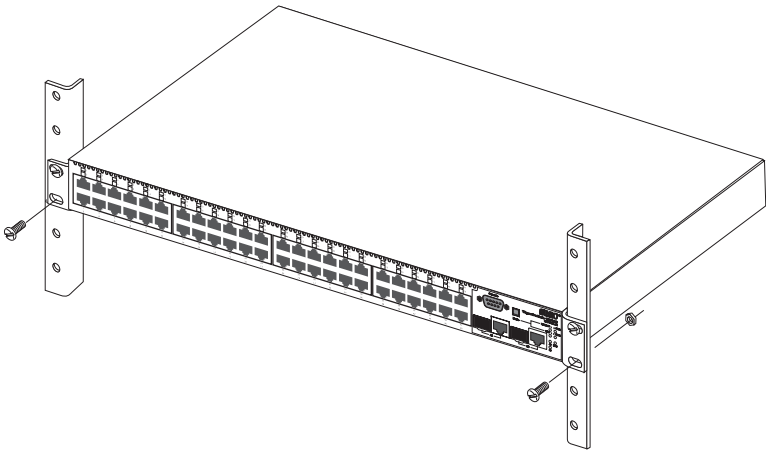


Figure 3-2. Installing the Switch in a Rack

3. If installing a single switch only, turn to “Connecting to a Power Source” at the end of this chapter.
4. If installing multiple switches, mount them in the rack, one below the other, in any order.
5. If also installing RPUs, mount them in the rack below the other devices.

Desktop or Shelf Mounting

1. Attach the four adhesive feet to the bottom of the first switch.

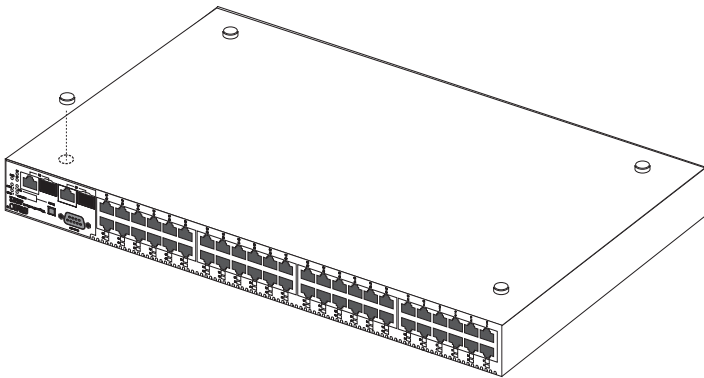


Figure 3-3. Attaching the Adhesive Feet

2. Set the device on a flat surface near an AC power source, making sure there are at least two inches of space on all sides for proper air flow.
3. If installing a single switch only, go to “Connecting to a Power Source” at the end of this chapter.
4. If installing multiple switches, attach four adhesive feet to each one. Place each device squarely on top of the one below, in any order.
5. If also installing RPUs, place them close to the stack.

Connecting to a Power Source

To connect a device to a power source:

1. Insert the power cable plug directly into the receptacle located at the back of the device.

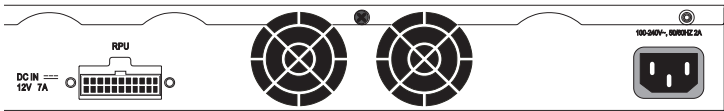


Figure 3-4. Power Receptacle

2. Plug the other end of the cable into a grounded, 3-pin socket.

Note: For International use, you may need to change the AC line cord. You must use a line cord set that has been approved for the receptacle type in your country.

3. Check the front-panel LEDs as the device is powered on to be sure the Power LED is lit. If not, check that the power cable is correctly plugged in.
4. If you have purchased a Redundant Power Unit, connect it to the device and to an AC power source now, following the instructions included with the package.

CHAPTER 4

MAKING NETWORK CONNECTIONS

Connecting Network Devices

The TigerSwitch 10/100 is designed to interconnect multiple segments (or collision domains). It may be connected to network cards in PCs and servers, or to hubs, switches or routers.

Note: Before connecting cables, you may want to first configure the Spanning Tree Protocol to avoid network loops. Refer to the Management Guide for more information.

Twisted-Pair Devices

Each device requires an unshielded twisted-pair (UTP) cable with RJ-45 connectors at both ends. For 100BASE-TX connections, Category 5 cable is required; for 10BASE-T, Category 3, 4 or 5 cable can be used.

For 1000BASE-T connections, Category 5 or 5e (recommended) cable is required with all four wire pairs connected. You should also test the cable installation for IEEE 802.3ab compliance. See “1000BASE-T Cable Requirements” on page B-5.

Cabling Guidelines

The RJ-45 ports on the switch support automatic MDI/MDI-X operation, so you can use standard straight-through twisted-pair cables to connect to any other network device (PCs, servers, switches, routers, or hubs).

Note: If auto-negotiation is disabled for an RJ-45 port, the auto-MDI/MDI-X pin signal configuration is also disabled.

See Appendix B for further information on cabling.



Caution: Do not plug a phone jack connector into an RJ-45 port. This will damage the switch. Use only twisted-pair cables with RJ-45 connectors that conform to FCC standards.

Connecting to PCs, Servers, Hubs and Switches

1. Attach one end of a twisted-pair cable segment to the device's RJ-45 connector.

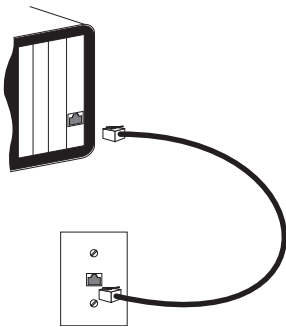


Figure 4-1. Making Twisted-Pair Connections

2. If the device is a network card and the TigerSwitch is in the wiring closet, attach the other end of the cable segment to a modular wall outlet that is connected to the wiring closet (see “Wiring Closet Connections” on the next page). Otherwise, attach the other end to an available port on the switch.

Make sure each twisted pair cable does not exceed 100 meters (328 ft) in length.

Note: When connected to a shared collision domain (such as a hub with multiple workstations), switch ports must be set to half-duplex mode and back pressure flow control disabled.

3. As each connection is made, the green Link LED (on the TigerSwitch) corresponding to each port will light to indicate that the connection is valid.

Wiring Closet Connections

Today, the punch-down block is an integral part of many of the newer equipment racks. It is actually part of the patch panel. Instructions for making connections in the wiring closet with this type of equipment follow.

1. Attach one end of a patch cable to an available port on the switch, and the other end to the patch panel.
2. If not already in place, attach one end of a cable segment to the back of the patch panel where the punch-down block is located, and the other end to a modular wall outlet.
3. Label the cables to simplify future troubleshooting.

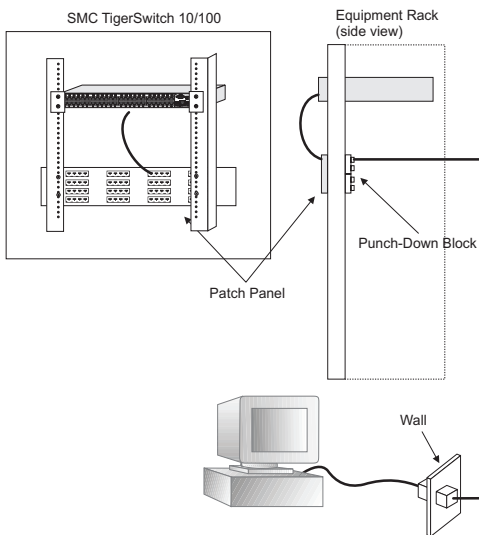


Figure 4-2. Wiring Closet Connections

MAKING NETWORK CONNECTIONS

APPENDIX A

TROUBLESHOOTING

Diagnosing Switch Indicators

Troubleshooting Chart	
Symptom	Action
Power LED is Off	<ul style="list-style-type: none">• Internal power supply is disconnected.• Check connections between the switch, the power cord, and the wall outlet.• Contact SMC Technical Support.
Power LED is Red	<ul style="list-style-type: none">• Internal power supply has failed. Contact your local dealer for assistance.
Link LED is Off	<ul style="list-style-type: none">• Verify that the switch and attached device is powered on.• Be sure the cable is plugged into both the switch and corresponding device.• Verify that the proper cable type is used and its length does not exceed specified limits.• Check the adapter on the attached device and cable connections for possible defects. Replace the defective adapter or cable if necessary.

Power and Cooling Problems

If the power indicator does not turn on when the power cord is plugged in, you may have a problem with the power outlet, power cord, or internal power supply. However, if the unit powers off after running for a while, check for loose power connections, power losses or surges at the power

outlet, and verify that the fans on the unit are unobstructed and running prior to shutdown. If you still cannot isolate the problem, then the internal power supply may be defective. In this case, contact SMC Technical Support for assistance.

Installation

Verify that all system components have been properly installed. If one or more components appear to be malfunctioning (such as the power cord or network cabling), test them in an alternate environment where you are sure that all the other components are functioning properly.

In-Band Access

You can access the management agent in the switch from anywhere within the attached network using Telnet, a Web browser, or other network management software such as EliteView. However, you must first configure the switch with a valid IP address, subnet mask, and default gateway. If you have trouble establishing a link to the management agent, check to see if you have a valid network connection. Then verify that you entered the correct IP address. Also, be sure the port through which you are connecting to the switch has not been disabled. If it has not been disabled, then check the network cabling that runs between your remote location and the switch.

Note: The management agent can accept up to four simultaneous Telnet sessions. If the maximum number of sessions already exists, an additional Telnet connection will not be able to log into the system.

APPENDIX B

CABLES

Specifications

Cable Types and Specifications			
Cable	Type	Max. Length	Connector
10BASE-T	Cat. 3, 4, 5 100-ohm UTP	100 m (328 ft)	RJ-45
100BASE-TX	Cat. 5 100-ohm UTP	100 m (328 ft)	RJ-45
100BASE-FX	50/125 or 62.5/125 micron core multimode fiber (MMF)	2 km (1.24 miles)	SC, ST or MT-RJ
100BASE-FX	9/125 9 micron core single-mode fiber (SMF)	20 km (12.43 miles)	SC, ST or MT-RJ
1000BASE-SX	50/125 or 62.5/125 micron core MMF	See the following table	SC, ST, LC, SG or MT-RJ
1000BASE-LX	9/125 micron SMF	5 km (3.12 miles)	SC, ST, LC, SG or MT-RJ
1000BASE-T	Cat. 5, 5e 100-ohm UTP	100 m (328 ft)	RJ-45

1000BASE-SX Fiber Specifications		
Fiber Diameter	Fiber Bandwidth	Cable Length Range
62.5/125 micron MMF	160 MHz/km	2-220 m (7-722 ft.)
	200 MHz/km	2-275 m (7-902 ft.)
50/125 micron MMF	400 MHz/km	2-500 m (7-1641 ft.)
	500 MHz/km	2-550 m (7-1805 ft.)

Twisted-Pair Cable and Pin Assignments

Caution: DO NOT plug a phone jack connector into any RJ-45 port. Use only twisted-pair cables with RJ-45 connectors that conform with FCC standards.

For 100BASE-TX/10BASE-T connections, a twisted-pair cable must have two pairs of wires. Each wire pair is identified by two different colors. For example, one wire might be red and the other, red with white stripes. Also, an RJ-45 connector must be attached to both ends of the cable.

Caution: Each wire pair must be attached to the RJ-45 connectors in a specific orientation. (See “Cabling Guidelines” on page 4-1 for an explanation.)

Figure B-1 illustrates how the pins on the RJ-45 connector are numbered. Be sure to hold the connectors in the same orientation when attaching the wires to the pins.

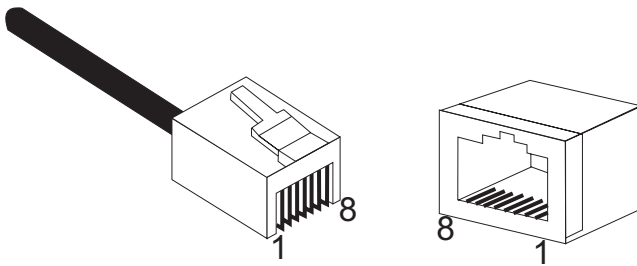


Figure B-1. RJ-45 Connector Pin Numbers

100BASE-TX/10BASE-T Pin Assignments

With 100BASE-TX/10BASE-T cable, pins 1 and 2 are used for transmitting data, and pins 3 and 6 for receiving data.

RJ-45 Pin Assignments	
Pin Number	Assignment ¹
1	Tx+
2	Tx-
3	Rx+
6	Rx-

1: The “+” and “-” signs represent the polarity of the wires that make up each wire pair.

Because all ports on this switch support automatic MDI/MDI-X operation, you can use straight-through cables for all network connections to PCs or servers, or to other switches or hubs. In straight-through cable, pins 1, 2, 3, and 6, at one end of the cable, are connected straight through to pins 1, 2, 3 and 6 at the other end of the cable. The table below shows the 10BASE-T/100BASE-TX MDI and MDI-X port pinouts.

Pin	MDI-X Signal Name	MDI Signal Name
1	Receive Data plus (RD+)	Transmit Data plus (TD+)
2	Receive Data minus (RD-)	Transmit Data minus (TD-)
3	Transmit Data plus (TD+)	Receive Data plus (RD+)
6	Transmit Data minus (TD-)	Receive Data minus (RD-)

No other pins are used.

Note: If auto-negotiation is disabled for an RJ-45 port, the auto-MDI/MDI-X pin signal configuration is also disabled.

1000BASE-T Pin Assignments

1000BASE-T ports switch support automatic MDI/MDI-X operation, so you can use straight-through cables for all network connections to PCs or servers, or to other switches or hubs.

The table below shows the 1000BASE-T MDI and MDI-X port pinouts. These ports require that all four pairs of wires be connected. Note that for 1000BASE-T operation, all four pairs of wires are used for both transmit and receive.

Use 100-ohm Category 5 or 5e unshielded twisted-pair (UTP) or shielded twisted-pair (STP) cable for 1000BASE-T connections. Also be sure that the length of any twisted-pair connection does not exceed 100 meters (328 feet).

Pin	MDI Signal Name	MDI-X Signal Name
1	Transmit Data plus (TD1+)	Transmit Data plus (TD2 +)
2	Receive Data minus (RD1-)	Receive Data minus (RD2-)
3	Transmit Data plus (TD2+)	Transmit Data plus (TD1+)
4	Transmit Data plus (TD3+)	Transmit Data plus (TD4+)
5	Receive Data minus (RD3-)	Receive Data minus (RD4-)
6	Receive Data minus (RD2-)	Receive Data minus (RD1-)
7	Transmit Data plus (TD4+)	Transmit Data plus (TD3+)
8	Receive Data minus (RD4-)	Receive Data minus (RD3-)

1000BASE-T Cable Requirements

All Category 5 UTP cables that are used for 100BASE-TX connections should also work for 1000BASE-T, providing that all four wire pairs are connected. However, it is recommended that for all critical connections, or any new cable installations, Category 5e (enhanced Category 5) cable should be used. The Category 5e specification includes test parameters that are only recommendations for Category 5. Therefore, the first step in preparing existing Category 5 cabling for running 1000BASE-T is a simple test of the cable installation to be sure that it complies with the IEEE 802.3ab standards.

Cable Testing for Existing Category 5 Cable

Installed Category 5 cabling must pass tests for Attenuation, Near-End Crosstalk (NEXT), and Far-End Crosstalk (FEXT). This cable testing information is specified in the ANSI/TIA/EIA-TSB-67 standard. Additionally, cables must also pass test parameters for Return Loss and Equal-Level Far-End Crosstalk (ELFEXT). These tests are specified in the ANSI/TIA/EIA-TSB-95 Bulletin, “The Additional Transmission Performance Guidelines for 100 Ohm 4-Pair Category 5 Cabling.”

Note that when testing your cable installation, be sure to include all patch cables between switches and end devices.

Adjusting Existing Category 5 Cabling to Run 1000BASE-T

If your existing Category 5 installation does not meet one of the test parameters for 1000BASE-T, there are basically three measures that can be applied to try and correct the problem:

1. Replace any Category 5 patch cables with high-performance Category 5e cables.
2. Reduce the number of connectors used in the link.
3. Reconnect some of the connectors in the link.

Console Port Pin Assignments

The DB-9 serial port on the switch's rear panel is used to connect to the switch for out-of-band console configuration. The on-board menu-driven configuration program can be accessed from a terminal, a PC running a terminal emulation program, or from a remote location via a modem connection. The pin assignments used to connect to the serial port are provided in the following tables.

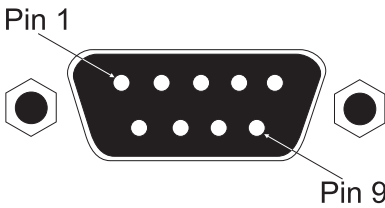


Figure B-2. DB-9 Console Port Pin Numbers

DB-9 Port Pin Assignments

EIA Circuit	CCITT Signal	Description	Switch's DB9 DTE Pin #	PC DB9 DTE Pin #	Signal Direction DCE-DTE
BB	104	RxD (Received Data)	2	2	----->
BA	103	TxD (Transmitted Data)	3	3	<-----
AB	102	SGND (Signal Ground)	5	5	-----

No other pins are used.

Console Port to 9-Pin COM Port on PC

Switch's 9-Pin Serial Port	CCITT Signal	PC's 9-Pin COM Port
2 RXD	<-----RXD -----	3 TxD
3 TXD	-----TXD ----->	2 RxD
5 SGND	-----SGND -----	5 SGND

No other pins are used.

Console Port to 25-Pin DTE Port on PC

Switch's 9-Pin Serial Port	Null Modem	PC's 25-Pin DTE Port
2 RXD	<-----RXD ----->	2 TXD
3 TXD	-----TXD ----->	3 RXD
5 SGND	-----SGND ----->	7 SGND

No other pins are used.

CABLES

APPENDIX C

SPECIFICATIONS

Physical Characteristics

Ports

48 10BASE-T/100BASE-TX, with auto-negotiation

Two 10/100/1000BASE-T shared with two SFP transceiver slots

Network Interface

10BASE-T: RJ-45 (100-ohm, UTP cable; Categories 3, 4, 5)

100BASE-TX: RJ-45 (100-ohm, UTP cable; Category 5)

Ports 1-48: RJ-45 connector, auto MDI/MDI-X

10/100/1000 BASE-T: RJ-45 (100-ohm Category 5 or 5e UTP or STP cable)

Ports 49-50: RJ-45 connector, auto MDI/MDI-X

Buffer Architecture

64 Mbytes per system

Switching Database

8191 MAC address entries

LEDs

System: Power, RPU, Diag,

Port: Link/Act., FDX

Weight

4.36 kg (9.5 lbs)

Size

44.0 x 35.4 x 4.3 cm (17.37 x 13.9 x 1.7 in.)

SPECIFICATIONS

Temperature

Operating: 0 to 50 °C (32 to 122 °F)

Storage: -40 to 70 °C (-40 to 158 °F)

Humidity

Operating: 10% to 90%

AC Input

100 to 240 V, 50 to 60 Hz

Power Supply

Internal, auto-ranging transformer: 90 to 260 VAC, 47 to 63 Hz

Redundant DC input

Power Consumption

48 Watts maximum

Maximum Current

5 A @ 110 VAC

2 A @ 240 VAC

Switch Features

Spanning Tree Protocol

Forwarding Mode

Store-and-forward

Flow Control

Full Duplex: IEEE 802.3x

Half Duplex: Back pressure

Broadcast Storm Suppression

Traffic throttled above a critical threshold

VLAN Support

Up to 255 groups; port-based or with 802.1Q VLAN tagging,

GVRP for automatic VLAN learning

Multicast Switching

IGMP Snooping

Quality of Service

Supports four levels of priority and Weighted Round Robin queueing

Management Features

In-Band Management

Telnet, Web-based HTTP, or SNMP manager
(EliteView Network Management software provided free)

Out-of-Band Management

RS-232 DB-9 console port

Software Loading

TFTP in-band or XModem out-of-band

MIB Support

MIB II (RFC 1213), Bridge MIB (RFC 1493), Interfaces Evolution MIB (RFC 2863), Ethernet MIB (RFC 2665), Extended Bridge MIB (RFC 2674), RMON MIB (RFC 2819), Entity MIB (RFC 2737), RADIUS authentication client MIB (RFC 2618), SMC's private MIB

RMON Support

Groups 1, 2, 3, 9 (Statistics, History, Alarm, Event)

Additional Features

Port Trunks
Port Mirroring

Standards

IEEE 802.3 Ethernet, IEEE 802.3u Fast Ethernet,
IEEE 802.3z Gigabit Ethernet, IEEE 802.3ab 1000BASE-T,
IEEE 802.1D Spanning Tree Protocol and traffic priorities,
IEEE 802.1p priority tags, IEEE 802.1Q VLAN,
IEEE 802.3ac VLAN tagging,
IEEE 802.ad Link Aggregation Control Protocol
IEEE 802.3x full-duplex flow control (ISO/IEC 8802-3)
SNMP (RFC 1157), RMON (RFC 1757 groups 1,2,3,9), RADIUS (RFC 2618)

Compliances

CE Mark

Emissions

FCC Class A

Industry Canada Class A

EN55022 (CISPR 22) Class A

EN 61000-3-2/3

VCCI Class A

C-Tick - AS/NZS 3548 (1995) Class A

Immunity

EN 61000-4-2/3/4/5/6/8/11

Safety

CSA/NRTL (CSA 22.2.950 & UL 1950)

EN60950 (TÜV/GS)

Warranty

Limited lifetime

SPECIFICATIONS

APPENDIX D

ORDERING INFORMATION

TigerSwitch 10/100 Products and Accessories	
Product Number	Description
SMC6750L2	48 10/100 Mbps ports switch with two Gigabit combo ports with RJ-45 connectors and associated SFP transceiver slots
SMCBGSLCX1	1-port 1000BASE-SX Small Form Pluggable (SFP) mini-GBIC transceiver
SMCBGLLCX1	1-port 1000BASE-LX Small Form Pluggable (SFP) mini-GBIC transceiver
SMCRPS600W*	Redundant power unit with cables, supports one device

* Also available in models for Continental Europe and the UK.

ORDERING INFORMATION

GLOSSARY

10BASE-T

IEEE 802.3 specification for 10 Mbps Ethernet over two pairs of Category 3, 4, or 5 UTP cable.

100BASE-TX

IEEE 802.3u specification for 100 Mbps Fast Ethernet over two pairs of Category 5 UTP cable.

100BASE-FX

IEEE 802.3u specification for 100 Mbps Fast Ethernet over two strands of 50/125 or 62.5/125 micron core fiber cable.

1000BASE-SX

IEEE 802.3z specification for Gigabit Ethernet over two strands of 50/125 or 62.5/125 micron core fiber cable.

1000BASE-LX

IEEE 802.3z specification for Gigabit Ethernet over two strands of 50/125, 62.5/125 or 9/125 micron core fiber cable.

1000BASE-T

IEEE 802.3ab specification for Gigabit Ethernet over 100-ohm Category 5 or 5e twisted-pair cable (using all four wire pairs).

Auto-Negotiation

Signalling method allowing each node to select its optimum operational mode (e.g., 10 Mbps or 100 Mbps and half or full duplex) based on the capabilities of the node to which it is connected.

Bandwidth

The difference between the highest and lowest frequencies available for network signals. Also synonymous with wire speed, the actual speed of the data transmission along the cable.

Collision

A condition in which packets transmitted over the cable interfere with each other. Their interference makes both signals unintelligible.

Collision Domain

Single CSMA/CD LAN segment.

CSMA/CD

CSMA/CD (Carrier Sense Multiple Access/Collision Detect) is the communication method employed by Ethernet, Fast Ethernet, or Gigabit Ethernet.

End Station

A workstation, server, or other device that does not forward traffic.

Ethernet

A network communication system developed and standardized by DEC, Intel, and Xerox, using baseband transmission, CSMA/CD access, logical bus topology, and coaxial cable. The successor IEEE 802.3 standard provides for integration into the OSI model and extends the physical layer and media with repeaters and implementations that operate on fiber, thin coax and twisted-pair cable.

Fast Ethernet

A 100 Mbps network communication system based on Ethernet and the CSMA/CD access method.

Gigabit Ethernet

A 1000 Mbps network communication system based on Ethernet and the CSMA/CD access method.

Full Duplex

Transmission method that allows two network devices to transmit and receive concurrently, effectively doubling the bandwidth of that link.

IEEE

Institute of Electrical and Electronic Engineers.

IEEE 802.3

Defines carrier sense multiple access with collision detection (CSMA/CD) access method and physical layer specifications.

IEEE 802.3ab

Defines CSMA/CD access method and physical layer specifications for 1000BASE-T Fast Ethernet.

IEEE 802.3u

Defines CSMA/CD access method and physical layer specifications for 100BASE-TX Fast Ethernet.

IEEE 802.3x

Defines Ethernet frame start/stop requests and timers used for flow control on full-duplex links.

IEEE 802.3z

Defines CSMA/CD access method and physical layer specifications for 1000BASE Gigabit Ethernet.

Local Area Network (LAN)

A group of interconnected computer and support devices.

LAN Segment

Separate LAN or collision domain.

LED

Light emitting diode used for monitoring a device or network condition.

Local Area Network

A group of interconnected computers and support devices.

Media Access Control (MAC)

A portion of the networking protocol that governs access to the transmission medium, facilitating the exchange of data between network nodes.

MIB

An acronym for Management Information Base. It is a set of database objects that contains information about the device.

Network Diameter

Wire distance between two end stations in the same collision domain.

Redundant Power Unit (RPU)

A backup power supply that automatically takes over in case the primary power supply should fail.

RJ-45 Connector

A connector for twisted-pair wiring.

Switched Ports

Ports that are on separate collision domains or LAN segments.

Transmission Control Protocol/Internet Protocol (TCP/IP)

Protocol suite that includes TCP as the primary transport protocol, and IP as the network layer protocol.

UTP

Unshielded twisted-pair cable.

Virtual LAN (VLAN)

A Virtual LAN is a collection of network nodes that share the same collision domain regardless of their physical location or connection point in the network. A VLAN serves as a logical workgroup with no physical barriers, allowing users to share information and resources as though located on the same LAN.

GLOSSARY

INDEX

Numerics

- 10 Mbps connectivity rules 2-8
- 1000 Mbps connectivity rules 2-6
- 1000BASE-LX
 - fiber cable lengths 2-6
- 1000BASE-SX
 - fiber cable lengths 2-6
- 100BASE cable lengths 2-7
- 100BASE-FX
 - fiber 2-6
- 100BASE-TX ports 1-5
- 10BASE cable lengths 2-8
- 10BASE-T ports 1-5

A

- accessories, ordering D-1
- adhesive feet, attaching 3-5
- air flow requirements 3-1
- applications 2-2
 - central wiring closet 2-3
 - collapsed backbone 2-2
 - remote connections with fiber 2-4
 - VLAN connections 2-5

B

- brackets, attaching 3-4
- broadcast storm control 1-2
- buffers, saturation of 1-5

C

- cable
 - lengths 2-7, 2-8
 - specifications B-1
- compliances
 - EMC C-5

- safety C-5
- Connectivity 2-6
- connectivity rules
 - 10 Mbps 2-8
 - 1000 Mbps 2-6
- console port 1-2
 - pin assignments B-6
- contents of package 3-2
- cooling problems A-1
- cord sets, international 3-6

D

- DC input 1-8
- desktop mounting 3-5
- device connections 4-1

E

- electrical interference, avoiding 3-1
- equipment checklist 3-2
- Ethernet connectivity rules 2-8

F

- fault tolerance, Spanning Tree 1-3
- features C-3
 - management 1-11
 - switch 1-9
- flow control, IEEE 802.3x 1-5
- front panel of switch 1-1
- full duplex connectivity 2-1

G

- Gigabit Ethernet cable lengths 2-6
- grounding for racks 3-3
- GVRP 1-2

INDEX

I

- IEEE 802.3x flow control 1-5
- IGMP 1-2
- indicators, LED 1-6
- installation
 - connecting devices to the switch 4-2
 - desktop or shelf mounting 3-5
 - port connections 4-1
 - power requirements 3-1
 - problems A-2
 - rack mounting 3-3
 - RPUs in racks 3-5
 - site requirements 3-1
 - wiring closet connections 4-3

L

- LED indicators
 - Power 1-7
 - problems A-1
 - RPU 1-7
- limited warranty C-5
- location requirements 3-1

M

- management
 - agent 1-2
 - features 1-11, C-4
 - out-of-band 1-2
 - SNMP 1-2
 - Telnet 1-3
 - Web-based 1-2
- MIB support C-4
- mounting the switch
 - in a rack 3-3
 - on a desktop or shelf 3-5
- multicast switching 1-3
 - IGMP Snooping 1-4

N

- network
 - connections 4-1
 - examples 2-2
- null-modem cable 1-2

O

- optional
 - redundant power unit 1-8
- ordering information D-1
- out-of-band management 1-2

P

- package contents 3-2
- pin assignments B-2
 - 1000BASE-T B-4
 - 100BASE-TX/10BASE-T B-3
 - 25-pin DTE port B-7
 - console port B-6
 - DB-9 B-6
- port saturation 1-2, 1-5
- port-based VLANs 2-5
- ports, connecting to 4-1
- power, connecting to 3-6
- priority queues 1-4
- problems, troubleshooting A-1

Q

- QoS 1-2

R

- rack mounting 3-3
- rear panel of switch 1-1
- rear panel receptacles 1-8
- redundant power unit 1-8

- RJ-45 port connections 4-1
- RJ-45 ports 1-5
 - pinouts B-4
- RMON 1-2
- routing applications 2-9
- RPU
 - connecting 3-6
 - installing in a rack 3-5
 - installing on a desktop 3-5
 - optional redundant power unit 1-8
- RS-232 port 1-2
- rubber foot pads, attaching 3-5

S

- sample applications 2-2
- screws for rack mounting 3-2
- serial port 1-2
- site selection 3-1
- SNMP agent 1-2
- Spanning Tree Protocol 1-3, 2-5, 4-1
- specifications
 - compliances C-5
 - environmental C-2
 - physical C-1
 - power C-2
- standards
 - compliance C-5
 - IEEE C-4
- status LEDs 1-6
- store-and-forward 1-2
- surge suppressor, using 3-1
- switch architecture 1-2
- switching
 - introduction to 2-1
 - method 1-2

T

- tags
 - priority 1-4
 - VLAN 2-5
- Telnet 1-3, A-2
- temperature within a rack 3-3
- traffic priority 1-4
- troubleshooting
 - in-band access A-2
 - power and cooling problems A-1
 - switch indicators A-1
- twisted-pair connections 4-1

V

- VLANs 1-2, 1-3, 2-5
 - tagging 2-5

W

- warranty C-5
- Web-based management 1-2
- Weighted Round Robin 1-4

INDEX

FOR TECHNICAL SUPPORT, CALL:

From U.S.A. and Canada (24 hours a day, 7 days a week)
(800) SMC-4-YOU; (949) 679-8000; Fax: (949) 679-1481
From Europe (8:00 AM - 5:30 PM UK Time)
44 (0) 118 974 8700; Fax: 44 (0) 118 974 8701

INTERNET

E-mail addresses:

techsupport@smc.com
european.techsupport@smc-europe.com

Driver updates:

http://www.smc.com/index.cfm?action=tech_support_drivers_downloads

World Wide Web:

<http://www.smc.com/>
<http://www.smc-europe.com/>

FOR LITERATURE OR ADVERTISING RESPONSE, CALL:

U.S.A. and Canada:	(800) SMC-4-YOU;	Fax (949) 679-1481
Spain:	34-93-477-4935;	Fax 34-93-477-3774
UK:	44 (0) 118 974 8700;	Fax 44 (0) 118 974 8701
France:	33 (0) 41 38 32 32;	Fax 33 (0) 41 38 01 58
Italy:	39 02 739 12 33;	Fax 39 02 739 14 17
Benelux:	31 33 455 72 88;	Fax 31 33 455 73 30
Central Europe:	49 (0) 89 92861-0;	Fax 49 (0) 89 92861-230
Switzerland:	41 (0) 1 9409971;	Fax 41 (0) 1 9409972
Nordic:	46 (0) 868 70700;	Fax 46 (0) 887 62 62
Northern Europe:	44 (0) 118 974 8700;	Fax 44 (0) 118 974 8701
Eastern Europe:	34 -93-477-4920;	Fax 34 93 477 3774
Sub Saharian Africa:	27-11 314 1133;	Fax 27-11 314 9133
North Africa:	34 93 477 4920;	Fax 34 93 477 3774
Russia:	7 (095) 290 29 96;	Fax 7 (095) 290 29 96
PRC:	86-10-6235-4958;	Fax 86-10-6235-4962
Taiwan:	886-2-2659-9669;	Fax 886-2-2659-9666
Asia Pacific:	(65) 238 6556;	Fax (65) 238 6466
Korea:	82-2-553-0860;	Fax 82-2-553-7202
Japan:	81-45-224-2332;	Fax 81-45-224-2331
Australia:	61-2-9416-0437;	Fax 61-2-9416-0474
India:	91-22-8204437;	Fax 91-22-8204443

If you are looking for further contact information, please visit www.smc.com or www.smc-europe.com.

SMC[®]

Networks

38 Tesla

Irvine, CA 92618

Phone: (949) 679-8000

Model Number: SMC6750L2

Publication Number: 150200016500A

Revision Number: E062002-R01