

Installation Instructions

Bagger Adapter Kit Part No. 5600055

Fits 2006 Simplicity Champion Series

Fits 2006 Snapper and Massey Ferguson Consumer Z Series

Kit Contents:

Part No.	Qty.	Description
5048264	2	Spacer, .39 X .63 X 1.50
5401581A	2	Mount, Bagger, Tube Bracket
5025013X20	2	3/8-16 x 2-1/2" Bolt
5025013X8	2	3/8-16 x 1" Bolt
5025394	4	3/8-16 Nylock Flange Nut

WARNING

Before beginning any service work turn off the PTO, set the parking brake, turn off the ignition, and disconnect the spark plug wire(s).

1. Park machine on a flat, level surface and engage the parking brake. Disengage the PTO switch, turn off the engine and remove the key from the ignition.
2. If the engine is hot, allow sufficient time for the muffler to cool to prevent a burn injury during installation.
3. Install the 3/8-16 x 2-1/2" bolts (B) through the mount plate (A) and install spacers (C).
4. Install the mount plate onto the bumper with the bolts above the top bumper tube.
5. Install the mount brackets (E) loosely secure with the 3/8-16 nylock flange nuts (D).
6. Install the 3/8-16 x 1" bolts (F) through mount plate and mount brackets loosely secure with the 3/8-16 nylock flange nuts (D).
7. **For 2-Bag:** Position the right hand side mount plate approximately 2" (5,1cm) from the right hand end of the bumper tubes and tighten the hardware securely.
For 3-Bag: Center the mount plate side-to-side on the bumper and tighten the hardware securely.

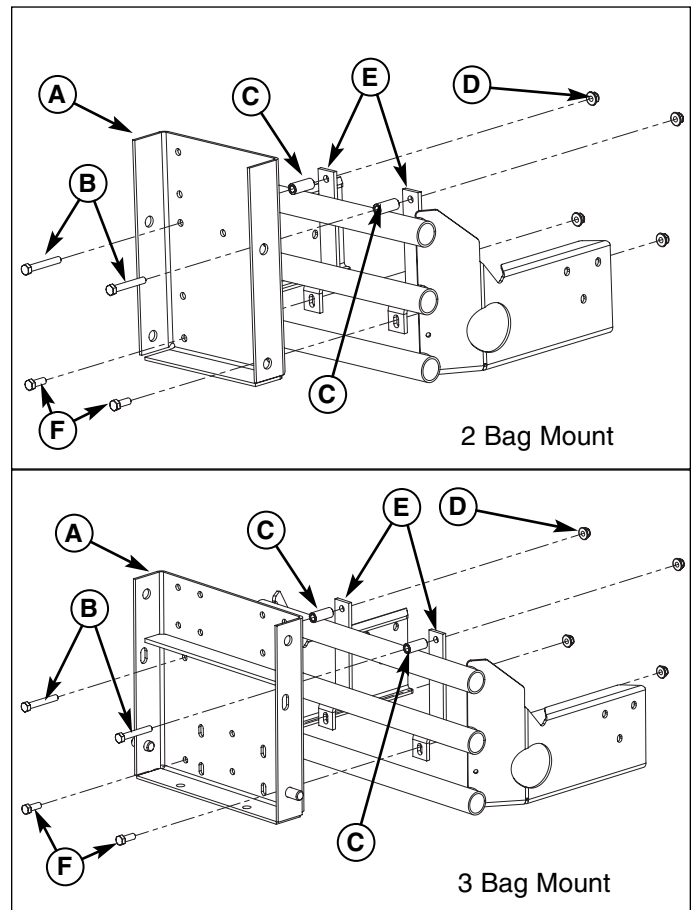


Figure 1. Install Adapter Kit

- A. Mount Plate
- B. 3/8-16 x 2-1/2" Bolts (2X)
- C. Spacers (2X)
- D. 3/8-16 Nylock Flange Nut (4X)
- E. Tube Brackets (2X)
- F. 3/8-16 x 1" Bolts (2X)