



Addison Whirlpool

BUILDER SERIES

HIGH GLOSS ACRYLIC



Addison Whirlpool (015-0205). Bath waste not included.

- 59 3/4" (1518 mm) Length, 32" (813 mm) Width, 18 1/2" (470 mm) Height
- Six Jetted Multi-Directional Whirlpool System
- Rectangular Unit with Integral Apron
- 2HP Pump Motor
- Pre-Leveled Base for Ease of Installation
- Integral Tiling Flange
- Safety Suction Fitting
- Trim and Jets Removable and Top Rack Dishwasher Safe
- Inline Heater Available (Optional)
- Extensive Choice of Colors
- Operating Water Capacity 35 Gallons
- Weight - Empty 120 lbs., with Water 412 lbs., Cubes 32.9

- 015-0205** Six Jet Whirlpool Bath Complete with Color-Matched* Whirlpool Trim, 2 HP Motor, Less Bath Waste Right Hand Drain, Left Hand Pump
- 015-0209** Six Jet Whirlpool Bath Complete with Color-Matched* Whirlpool Trim, 2 HP Motor, Less Bath Waste Left Hand Drain, Right Hand Pump

NOTE: Eljer assumes no responsibility or liability for local or state regulations which deviate from national standards. It shall be the responsibility of the installer to comply with local codes and standards prior to installation of any Eljer product.

Electrical Requirements:
115V, 20AMP, GFCI Protected Circuit

Whirlpool Trim Includes:

- Whirlpool Jets/Jet Covers
- Air Controls (2)
- Whirlpool-Mounted On/Off Push Button Air Switch
- Suction Return Cover with Screws

Optional Metallic Whirlpool Trim Kits:

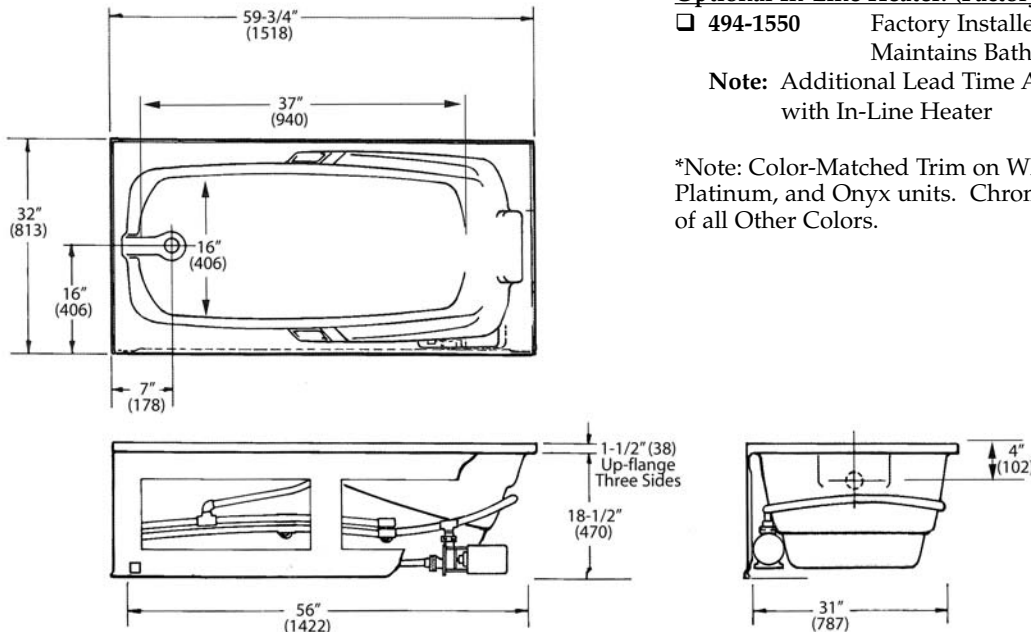
- 494-3000** Polished Chrome
- 494-3005** Polished Brass

Optional In-Line Heater: (Factory Installed Only)

- 494-1550** Factory Installed In-Line Heater, Maintains Bathing Water Temperature

Note: Additional Lead Time Applies to Whirlpools Ordered with In-Line Heater

*Note: Color-Matched Trim on White, Natural/Bone, Biscuit, Platinum, and Onyx units. Chrome Trim Standard on Whirlpools of all Other Colors.



Water Capacity to Overflow: 46 gal.

FAUCETS ARE NOT INCLUDED. ALL FIXTURE DIMENSIONS ARE NOMINAL AND MAY VARY WITHIN THE RANGE OF TOLERANCES ESTABLISHED BY ASME/ANSI STANDARDS, Z124.1. ALL MEASUREMENTS SHOWN ARE SUBJECT TO CHANGE OR CANCELLATION.