



Wireless Bluetooth Headset

RF-QX3

User Guide



Wireless Bluetooth Headset

Contents

| | |
|---|----|
| Important safety instructions | 3 |
| Introduction | 4 |
| Features..... | 4 |
| Package contents | 4 |
| Components..... | 5 |
| Using the headset | 6 |
| Headset functions | 6 |
| Charging the battery | 7 |
| Turning the headset on or off | 7 |
| Pairing the headset with a compatible phone | 7 |
| Disconnecting the headset from the phone | 8 |
| Reconnecting the headset to the phone | 8 |
| Making a call | 8 |
| Answering or ending a call | 9 |
| Rejecting a call..... | 9 |
| Redialing the last number dialed..... | 9 |
| Muting a call | 9 |
| Using voice dialing..... | 9 |
| Adjusting the earpiece volume | 9 |
| Switching between the headset and phone | 10 |

| | |
|---------------------------------------|----|
| Erasing all pairing information | 10 |
| Turning the indicator on or off | 10 |
| Checking the battery status | 10 |
| Resetting the headset..... | 10 |
| Maintaining | 11 |
| Troubleshooting | 11 |
| Specifications..... | 11 |
| Legal notices | 12 |
| One-year limited warranty..... | 13 |

Important safety instructions

- 1 Read these instructions.
- 2 Keep these instructions.
- 3 Heed all warnings.
- 4 Follow all instructions.
- 5 Do not expose the headset to water.
- 6 Clean only with a dry cloth.
- 7 Do not plug in the wall charger near any heat sources such as radiators, heat registers, stoves, or other chargers that produce heat.
- 8 Do not defeat the safety purpose of the polarized or grounding-type plug. A polarized plug has two blades with one wider than the other. A grounding type plug has two blades and a third grounding prong. The wide blade or the third prong are provided for your safety. If the provided plug does not fit into your outlet, consult an electrician for replacement of the obsolete outlet.
- 9 Protect the power cord from being walked on or pinched particularly at plugs, convenience receptacles, and the point where they exit from the charger.
- 10 Only use attachments/accessories specified by the manufacturer.
- 11 Unplug this charger during lightning storms or when unused for long periods of time.
- 12 Refer all servicing to qualified service personnel. Servicing is required when the apparatus has been damaged in any way, such as power-supply cord or plug is damaged, liquid has been spilled or objects have fallen into the apparatus, the apparatus has been exposed to rain or moisture, does not operate normally, or has been dropped.

- 13 To reduce the risk of fire or electric shock, do not expose the charger to rain, moisture, dripping, or splashing.
- 14 An apparatus with a three-prong, grounding-type plug is a Class I apparatus, which needs to be grounded to prevent possible electric shock. Make sure that you connect this Class I device to a grounding-type, three-prong outlet.
- 15 In order to charge your headset correctly, the wall outlet must be in correct working condition.
- 16 Batteries should not be exposed to excessive heat.

Caution: *Danger of explosion if battery is incorrectly replaced. Replace only with the same or equivalent type.*

Introduction

Congratulations on your purchase of the RF-QX3 wireless headset. This headset represents the state of the art in wireless headset design and is designed for reliable and trouble-free performance.

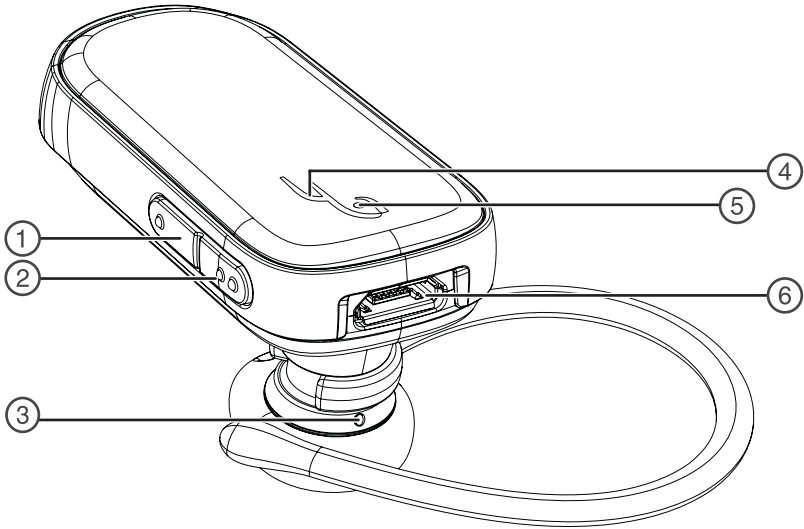
Features

Package contents

- QX3 headset
- Ear loop
- USB charging cable and A/C wall charger
- Earbuds (small, medium, and large)
- *User Guide*
- *Quick Setup Guide*

Note: *The ear loop and medium earbud come preattached.*

Components



| # | Component | Description |
|---|-----------------------|---|
| 1 | Volume down | Press to decrease the earpiece volume. |
| 2 | Volume up | Press to increase the earpiece volume. |
| 3 | Earpiece | Transmits the callers voice. |
| 4 | Power/Send/End button | <ul style="list-style-type: none"> • Switches the headset on and off. • Answers incoming calls. • Ends active calls. • Rejects incoming calls. • Activates voice dialing |

| # | Component | Description |
|---|-------------------|--|
| 5 | Indicator light | <p>Power on—Lights solid yellow-green for 1 second and the headset beeps once.</p> <p>Pairing mode—Rapidly flashes yellow-green. The flashing continues for approximately three minutes or until the headset is connected to a compatible phone. If the headset is not connected to a phone during this time, the headset enter connectable status.</p> <p>Connectable—Flashes yellow-green once every 2.5 seconds.</p> <p>Connection active—Flashes yellow-green every 5 seconds.</p> <p>Incoming call—Flashes yellow-green two times every 1 second.</p> <p>Active call—Flashes yellow-green every 5 seconds.</p> <p>Power off—Lights solid red for 1 second and the headset beeps once.</p> <p>Low battery—Alternately flashes yellow-green and red, and the headset beeps every 300 seconds.</p> |
| 6 | Charger connector | Connect the charger to this jack and to a power outlet to charge the battery. |

Using the headset

Headset functions

| Headset function | Button presses |
|---|---|
| Voice dial | Press the power/send/end button. |
| Redial | Double-press the power/send/end button. |
| Answer a call | Press the power/send/end button. |
| End (cancel) a call | Press and hold the power/send/end button for two seconds. |
| Reject a call | Double-press the power/send/end button. |
| Transfer a call between connected devices | Double-press the power/send/end button while in a call to transfer call to handset. |
| Mute or unmute | Press volume up and volume down buttons at the same time. |
| Adjust the earpiece volume | Press volume up or volume down button. |
| Erase all pairing information | When the headset is turned off, press and hold power/send/end and volume up buttons until the indicator flashes red and yellow-green alternately. |
| Turn the indicator on or off | When the headset is connected to a phone, press and hold the power/send/end and volume up buttons for four seconds. |
| Check the battery status | Press and hold the power/send/end for two seconds. |

Charging the battery

Before using the headset, you must charge the battery for approximately two hours. When the battery is fully charged, it provides up to 8 hours of talk time or up to 300 hours of standby time.

To charge the battery:

- Connect the charger to the headset and to a power outlet. While the battery is charging the indicator lights red. When the battery is fully charged, the indicator lights yellow-green.

Turning the headset on or off

To turn the headset on or off:

- 1 To turn on the headset, press and hold the power button for about two seconds. The headset beeps and the indicator blinks yellow-green. (The first time you turn on the headset, you have to press and hold the power button for five seconds.)
- 2 To turn off the headset, press and hold the power button for about four seconds. The headset beeps and the indicator briefly lights red.

Pairing the headset with a compatible phone

Pairing is the process of linking the headset with a Bluetooth-enabled mobile phone. After you pair the headset with a phone, you can only use the headset with the paired phone. If you want to use the headset with a different phone, you must repeat the pairing process with the new phone. The headset can be paired with up to eight compatible phones, but it can be connected to only one phone at a time.

To pair the headset with a compatible phone:

- 1 Make sure that the compatible phone is turned on and within 33 feet (10 meters) of the headset.
- 2 Turn on the headset and make sure that the battery is fully charged.
- 3 Press and hold the power/send/end button for about four seconds. The indicator rapidly flashes yellow-green.
- 4 Release the button. The headset is now in pairing mode.
- 5 Activate the Bluetooth connection from the phone. See the documentation that came with the phone for instructions.
- 6 Set the phone to start searching for Bluetooth devices.

- 7 Select RF-QX3 from the list of found devices displayed on the phone.
- 8 If necessary, enter a PIN code 0000 to pair and connect the headset with your phone. With some phones, you need to make a connection separately after pairing.

Disconnecting the headset from the phone

To disconnect the headset from the phone:

- Turn off the headset.
Or,
- Disconnect the headset in the phone's menu.
Or,
- Move the headset more than 33 feet (10 meters) away from the phone.

Note: You do not need to delete the pairing with the headset to disconnect the headset. When you reconnect the headset to a phone it has been paired with, you do not have to enter the code 0000 again.

Reconnecting the headset to the phone

Note: The headset connects to the last connected phone by default. If the last phone is out of the Bluetooth operating range or you are not using the last phone, the headset searches and connects to the other paired phones.

To reconnect the headset to the last phone used:

- If the headset is turned off, turn it on. It automatically connects to the phone.

Note: If the headset is out of Bluetooth operating range (33 feet/10 meters) for less than two minutes, the headset sounds a warning tone and the indicator flashes yellow-green every 2.5 seconds. If you move the headset back into operating range, it automatically reconnects with the phone.

If the headset is out of Bluetooth operating range for more than two minutes, go back into range then press and hold the power/send/end button until a beep sounds to indicate the connection is reactivated.

Making a call

To make a call:

- Use the phone in the normal way. See the phone's documentation for instructions.

Answering or ending a call

When you receive a call, you hear a ringing tone through the headset.

To answer or end a call:

- Press the power/send/end button to answer a call.
- Press and hold the power/send/end button for two seconds to end a call.

Note: Some phones have an Auto Answer function. If the phone has this function, you can use it with the headset.

Rejecting a call

To reject a call:

- Double-press the power/send/end button.

Redialing the last number dialed

To redial the last number dialed:

- While no call is in progress, double-press the power/send/end button.

Muting a call

To mute a call:

- Briefly press the volume up and volume down buttons at the same time. Press the volume up and volume down buttons again to unmute the call.

Using voice dialing

If the paired phone has a voice dialing feature, you can use it with the headset.

To use voice dialing:

- When no call is in progress, press the power/send/end button. A tone indicates that you can start saying the voice tag. The phone plays the voice tag and dials the related phone number.

Adjusting the earpiece volume

To adjust the earpiece volume:

- Press the volume up or volume down button.

Switching between the headset and phone

- While a call is in progress, double-press the power/send/end button or use the switching function on the phone.

Erasing all pairing information

To erase all pairing information:

- 1 Turn off the headset.
- 2 At the same time, press and hold the power/send/end and volume up buttons until the indicator flashes. After erasing all pairing information, the headset enters pairing mode automatically.

Turning the indicator on or off

You can turn the indicator on or off when the headset is connected to a phone or during a call.

To turn the indicator on or off:

- At the same time, press the power/send/end button and the volume up button for about four seconds. The indicator turns off. Repeat this step to turn the indicator back on.

Checking the battery status

When the headset is paired and connected to a phone, press and hold the power/send/end button for about two seconds.

- If the indicator flashes once yellow-green, the battery level is over half of battery capacity.
- If the indicator flashes once yellow-green and red, the battery level is less than half, but has more than one hour of talk time.
- If the indicator flashes once red, the battery level has less than one hour talk time.

Resetting the headset

To reset the headset:

- Connect the charger. The headset is turned off and reset.

Note: You should only use the reset function when the headset operates unusually. When you reset the headset, pairing information is not erased.

Maintaining

- Do not store the headset in cold areas. When the headset returns to normal temperature, moisture can form inside the headset and damage electronic circuit boards.
- Do not drop, knock, or shake the headset. Rough handling can break internal circuit boards and fine mechanics.
- Do not use harsh chemicals, cleaning solvents, or strong detergents to clean the headset.
- Do not paint the headset. Paint can clog the moving parts and prevent correct operation.

Troubleshooting

If you cannot connect to a compatible phone, make sure that:

- The battery is charged
- The headset is turned on
- The phone has been paired with the headset

Specifications

The headset supports the following specifications:

- Bluetooth Core Specification v2.1+EDR
- Handsfree Profile (HFP) v1.5
- Headset Profile (HSP) v1.1

Legal notices

FCC Part 15

This device complies with Part 15 of the FCC Rules. Operation of this product is subject to the following two conditions: (1) this device may not cause harmful interference, and (2) this device must accept any interference received, including interference that may cause undesired operation.

This equipment has been tested and found to comply within the limits for a class B digital device, pursuant to Part 15 of the FCC Rules. These limits are designed to provide reasonable protection against harmful interference in a residential installation. This equipment generates, uses, and can radiate radio frequency energy and, if not installed and used in accordance with the instructions, may cause harmful interference to radio communications. However, there is no guarantee that interference will not occur in a particular installation. If this equipment does cause harmful interference to radio or television reception, which can be determined by turning the equipment off and on, the user is encouraged to try to correct the interference by one or more of the following measures:

- Reorient or relocate the receiving antenna.
- Increase the separation between the equipment and receiver.
- Connect the equipment into an outlet on a circuit different from that to which the receiver is connected.
- Consult the dealer or an experienced technician for help.

FCC warning

Changes or modifications not expressly approved by the party responsible for compliance with the FCC Rules could void the user's authority to operate this equipment.

Canada RSS210 statement

This equipment complies with RSS210 of the IC Rules. Operation is subject to the following two conditions:

- (1) This device may not cause harmful interference, and
- (2) This device must accept any interference received, including interference that may cause undesired operation.

One-year limited warranty

Rocketfish Products ("Rocketfish") warrants to you, the original purchaser of this new **RF-QX3** ("Product"), that the Product shall be free of defects in the original manufacture of the material or workmanship for one (1) year from the purchase of the Product ("Warranty Period"). This Product must be purchased from an authorized dealer of Rocketfish brand products and packaged with this warranty statement. This warranty does not cover refurbished Product. If you notify Rocketfish during the Warranty Period of a defect covered by this warranty that requires service, terms of this warranty apply.

How long does the coverage last?

The Warranty Period lasts for one year (365 days), beginning on the date you purchased the Product. The purchase date is printed on the receipt you received with the product.

What does this warranty cover?

During the Warranty Period, if the original manufacture of the material or workmanship of the Product is determined to be defective by an authorized Rocketfish repair center or store personnel, Rocketfish will (at its sole option): (1) repair the Product with new or rebuilt parts; or (2) replace the Product at no charge with new or rebuilt comparable products or parts. Products and parts replaced under this warranty become the property of Rocketfish and are not returned to you. If service of Products and parts are required after the Warranty Period expires, you must pay all labor and parts charges. This warranty lasts as long as you own your Rocketfish Product during the Warranty Period. Warranty coverage terminates if you sell or otherwise transfer the Product.

How to obtain warranty service?

If you purchased the Product at a retail store location, take your original receipt and the Product to the store you purchased it from. Make sure that you place the Product in its original packaging or packaging that provides the same amount of protection as the original packaging. If you purchased the Product from an online web site, mail your original receipt and the Product to the address listed on the web site. Make sure that you put the Product in its original packaging or packaging that provides the same amount of protection as the original packaging.

Where is the warranty valid?

This warranty is valid only to the original purchaser of the Product in the United States, Canada, and Mexico.

What does the warranty not cover?

This warranty does not cover:

- Customer instruction
- Installation
- Set up adjustments
- Cosmetic damage
- Damage due to acts of God, such as lightning strikes
- Accident
- Misuse
- Abuse
- Negligence
- Commercial use
- Modification of any part of the Product, including the antenna

This warranty also does not cover:

- Damage due to incorrect operation or maintenance
- Connection to an incorrect voltage supply
- Attempted repair by anyone other than a facility authorized by Rocketfish to service the Product
- Products sold as is or with all faults
- Consumables, such as fuses or batteries
- Products where the factory applied serial number has been altered or removed

REPAIR REPLACEMENT AS PROVIDED UNDER THIS WARRANTY IS YOUR EXCLUSIVE REMEDY. ROCKETFISH SHALL NOT BE LIABLE FOR ANY INCIDENTAL OR CONSEQUENTIAL DAMAGES FOR THE BREACH OF ANY EXPRESS OR IMPLIED WARRANTY ON THIS PRODUCT, INCLUDING, BUT NOT LIMITED TO, LOST DATA, LOSS OF USE OF YOUR PRODUCT, LOST BUSINESS OR LOST PROFITS. ROCKETFISH PRODUCTS MAKES NO OTHER EXPRESS WARRANTIES WITH RESPECT TO THE PRODUCT, ALL EXPRESS AND IMPLIED WARRANTIES FOR THE PRODUCT, INCLUDING, BUT NOT LIMITED TO, ANY IMPLIED WARRANTIES OF AND CONDITIONS OF MERCHANTABILITY AND FITNESS FOR A PARTICULAR PURPOSE, ARE LIMITED IN DURATION TO THE WARRANTY PERIOD SET FORTH ABOVE AND NO WARRANTIES, WHETHER EXPRESS OR IMPLIED, WILL APPLY AFTER THE WARRANTY PERIOD. SOME STATES, PROVINCES AND JURISDICTIONS DO NOT ALLOW LIMITATIONS ON HOW LONG AN IMPLIED WARRANTY LASTS, SO THE ABOVE LIMITATION MAY NOT APPLY TO YOU. THIS WARRANTY GIVES YOU SPECIFIC LEGAL RIGHTS, AND YOU MAY ALSO HAVE OTHER RIGHTS, WHICH VARY FROM STATE TO STATE OR PROVINCE TO PROVINCE.

Contact Rocketfish:

For customer service please call 1-800-620-2790

www.rocketfishproducts.com

Distributed by Best Buy Purchasing, LLC

7601 Penn Avenue South, Richfield, Minnesota, U.S.A. 55423-3645

© 2009 Best Buy Enterprise Services, Inc.

All rights reserved. ROCKETFISH is a trademark of Best Buy Enterprise Services, Inc. Registered in some countries. All other products and brand names are trademarks of their respective owners.



www.rocketfishproducts.com (800) 620-2790

Distributed by Best Buy Purchasing, LLC

7601 Penn Avenue South, Richfield, MN 55423-3645 USA

© 2009 Best Buy Enterprise Services, Inc.

All rights reserved. ROCKETFISH is a trademark of Best Buy Enterprise Services, Inc.
All other products and brand names are trademarks of their respective owners.