

Dear Valued Customer,

Thank you for purchasing Patton Electronics products! We do appreciate your business. I trust that you find this user manual helpful.

We manufacture one of the widest selections of data communications products in the world including CSU/DSU's, network termination units, powered and self-powered short range modems, fiber optic modems, interface converters, baluns, electronic data switches, data-line surge protectors, multiplexers, transceivers, hubs, print servers and much more. We produce these products at our Gaithersburg, MD, USA, facility, and can custom manufacture products for your unique needs.

We would like to hear from you. Please contact us in any of the following ways to tell us how you like this product and how we can meet your product needs today and in the future.

Web: <http://www.patton.com>
Sales E-mail: sales@patton.com
Support E-mail: support@patton.com
Phone - Sales (301) 975-1000
Phone - Support (301) 975-1007
Fax: (301) 869-9293
Mail: Patton Electronics Company
7622 Rickenbacker Drive
Gaithersburg, MD 20879 USA

We are committed to a quality product at a quality price. Patton Electronics is BABT and ISO 9001 certified. We meet and exceed the highest standards in the industry (CE, UL, etc.).

It is our business to serve you. If you are not satisfied with any aspect of this product or the service provided from Patton Electronics or its distributors, please let us know.

Thank you.

Burton A. Patton
Vice President

P.S. Please tell us where you purchased this product.

USER MANUAL

MODEL 1070 AC Powered, Synchronous Short Range Modem



PATTON
Electronics Co.



An ISO-9001
Certified Company

Part #07M1070-C
Doc. #067011UC
Revised 9/12/97

SALES OFFICE
(301) 975-1000
TECHNICAL SUPPORT
(301) 975-1007
<http://www.patton.com>

1.0 WARRANTY INFORMATION

Patton Electronics warrants all Model 1070 components to be free from defects, and will—at our option—repair or replace the product should it fail within one year from the first date of shipment.

This warranty is limited to defects in workmanship or materials, and does not cover customer damage, abuse or unauthorized modification. If this product fails or does not perform as warranted, your sole recourse shall be repair or replacement as described above. Under no condition shall **Patton Electronics** be liable for any damages incurred by the use of this product. These damages include, but are not limited to, the following: lost profits, lost savings and incidental or consequential damages arising from the use of or inability to use this product. **Patton Electronics** specifically disclaims all other warranties, expressed or implied, and the installation or use of this product shall be deemed an acceptance of these terms by the user.

1.1 RADIO AND TV INTERFERENCE

The Model 1070 generates and uses radio frequency energy, and if not installed and used properly—that is, in strict accordance with the manufacturer's instructions—may cause interference to radio and television reception. The Model 1070 has been tested and found to comply with the limits for a Class A computing device in accordance with the specifications in Subpart J of Part 15 of FCC rules, which are designed to provide reasonable protection from such interference in a commercial installation. However, there is no guarantee that interference will not occur in a particular installation. If the Model 1070 does cause interference to radio or television reception, which can be determined by disconnecting the RS-232 interface, the user is encouraged to try to correct the interference by one or more of the following measures: moving the computing equipment away from the receiver, re-orienting the receiving antenna and/or plugging the receiving equipment into a different AC outlet (such that the computing equipment and receiver are on different branches).

1.2 CE NOTICE

The CE symbol on your Patton Electronics equipment indicates that it is in compliance with the Electromagnetic Compatibility (EMC) directive and the Low Voltage Directive (LVD) of the Union European (EU). A Certificate of Compliance is available by contacting Technical Support.

1.3 SERVICE

All warranty and non-warranty repairs must be returned freight prepaid and insured to Patton Electronics. All returns must have a Return Materials Authorization number on the outside of the shipping container. This number may be obtained from Patton Electronics Technical Service at **(301) 975-1007**, <http://www.patton.com>, or support@patton.com.

NOTE: Packages received without an RMA number will not be accepted.

Patton Electronics' technical staff is also available to answer any questions that might arise concerning the installation or use of your Model 1070. Technical Service hours: **8AM to 5PM EST, Monday through Friday.**

2.0 GENERAL INFORMATION

Thank you for your purchase of this Patton Electronics product. This product has been thoroughly inspected and tested and is warranted for One Year parts and labor. If any questions or problems arise during installation or use of this product, please do not hesitate to contact Patton Electronics Technical Support at (301) 975-1007.

2.1 FEATURES

- Data rates from 1.2 to 19.2 Kbps, switch selectable
- Built-in optical isolation & high speed surge protection
- Distances up to 10 miles
- Tristate LED indicators
- Point-to-point or multipoint
- Loopback test modes
- Internal or external clocking
- Hardware and software flow control support
- Externally powered

2.2 DESCRIPTION

The Model 1070 Series synchronous short range modem is equipped with a virtual wish list of "bells and whistles": Point-to-point or multipoint applications are supported. Two separate control signals may be passed (one each way): RTS and DCD. Data lines are protected from ground loops and electrically volatile environments by optical isolation and Silicon Avalanche Diodes. System integrity can be evaluated using two test modes: local analog loopback and remote analog loopback. Tri-state LEDs monitor transmit data, receive data and control signals. Finally, 4-wire connections may be made using either an RJ-11 jack or terminal blocks—both are included.

In addition, the Model 1070 is perfect for low power RS-232 applications. The new Model 1070 is AC powered and recommended for low power RS-232 environments. The Model 1070 supports switch selectable data rates to 19.2 Kbps, and extends RS-232 transmission distances up to 10 miles over two twisted pair.

The Model 1070 is housed in a sturdy metal case, and comes with either 115 or 220V external transformers. This is the top-of-the-line in synchronous short range modems.

3.0 CONFIGURATION

The Model 1070 uses a set of eight external DIP switches that allow configuration to a wide range of synchronous applications. Because all eight switches are in one externally accessible DIP package, there is no need to open the Model 1070's case for configuration. The switches allow you to control line contention, clocking methods, RTS/CTS delay and data rates. Figures 1 and 2 (below) and Table 1 (opposite page) summarize the switch locations, positions and functions.

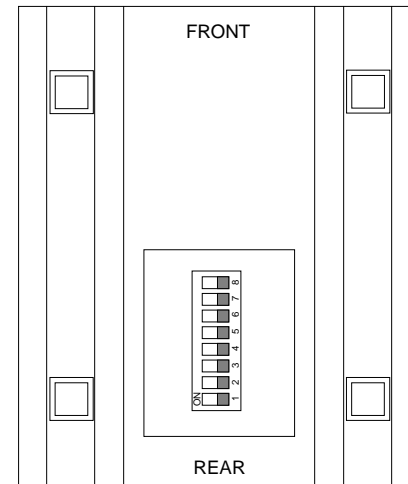


Figure 1. Switch locations underneath Model 1070

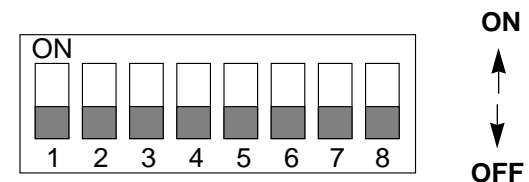


Figure 2. Close up of 1070 DIP switch package showing OFF/ON positions relative to switch numbers

SWITCH SUMMARY TABLE		
Position	Function	Factory Default
Switch 1	Data Rate	Off
Switch 2	Data Rate	Off
Switch 3	Data Rate	On
Switch 4	Not Used	N/A
Switch 5	Transmit Clock	Off Internal Clock
Switch 6	RTS/CTS Delay	On
Switch 7	RTS/CTS Delay	Off
Switch 8	Carrier Control	Off Constant

Table 1. Summary of switch settings, showing factory defaults

3.1 DETAILED SWITCH SETTINGS

This section provides detailed information about the function of each DIP switch and lists all possible settings. Use this section as configuration guide for applications where the Model 1070's default would not provide correct results.

3.1.1 DATA RATE

Switches 1 thru 3 are set in combination to allow the Model 1070 to be used at data rates from 1200 bps up to 19,200 bps.

Switch 1	Switch 2	Switch 3	Setting
On	On	On	1.2 Kbps
Off	On	On	2.4 Kbps
On	Off	On	4.8 Kbps
On	On	Off	7.2 Kbps
Off	Off	On	9.6 Kbps
Off	On	Off	14.4 Kbps
On	Off	Off	19.2 Kbps
Off	Off	Off	19.2 Kbps

Note: Switch 4 is not used.

3.1.2 TRANSMIT CLOCK

Switch 5 is used to specify the clocking method. The Model 1070 can provide an internal clock (Pin 15), or receive an external clock (from Pin 24).

Switch 5

On = External
Off = Internal

3.1.3 RTS/CTS DELAY

Switches 6 and 7 are used together to specify RTS/CTS delay. After request to send (RTS) is raised by the host terminal, the Model 1070 raises CTS after a slight delay in order to give the remote terminal time to receive an incoming signal. Depending on the type of environment, either a 0 mS, 8 mS or 53 mS delay can be selected.

Switch 6

On = 0 mS
On = 8 mS
Off = 53 mS

Switch 7

3.1.4 CARRIER ENABLE

Switch 8 is used to specify how the carrier signal is raised. In most point-to-point full duplex applications, the carrier signal can remain constantly "high". In a multi-point environment, contention for the line is "controlled" by RTS.

Switch 8

On = Controlled by RTS
Off = Constant Carrier

4.0 INSTALLATION

The Model 1070 is easy to install. After configuring the DIP switches and DCE/DTE switches, connect the two twisted pairs using one of two methods: terminal blocks or RJ-11 jack. Figure 3 (below) shows the location of the terminal blocks and RJ-11 jack, as well as the female DB-25 on the rear of the Model 1070.

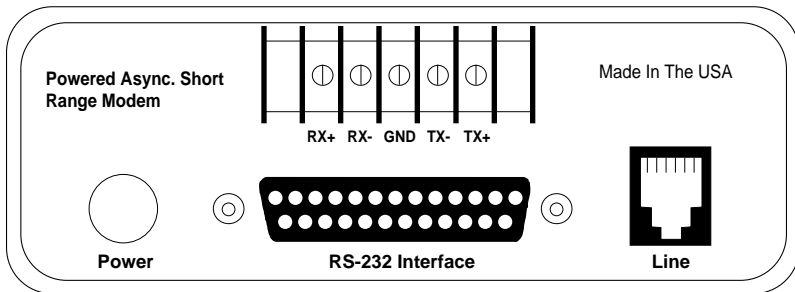
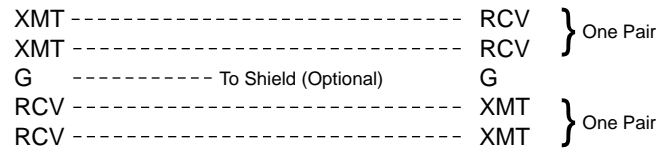


Figure 3. Rear view of 1070 showing interface connectors

4.1 TWISTED PAIR WIRING OVERVIEW

These short range modems are designed to work in *pairs*. You will need one at each end of a 4-wire twisted pair circuit. The pairs must be "dry" (unconditioned) metallic wire, 19 - 26 AWG. The smaller gauges limit distance somewhat compared with larger gauges. When you have completed wiring for your data circuit, the pin connections should be as shown below:



4.1.1 TWISTED PAIR CONNECTION USING TERMINAL BLOCKS

If your two twisted pair line terminates in bare wires, strip the ends and connect the individual leads to each Model 1070's terminal block. Be sure the end-to-end connections follow the diagram above.

4.1.2 TWISTED PAIR CONNECTION USING RJ-11

If your two-pair cable is terminated in an RJ-11 plug, you may use the RJ-11 jack in the back of the Model 1070 to make the connection. The RJ-11 jack on a Model 1070 series Short Range Modem is prewired for a standard TELCO wiring environment. To be sure you have the right wiring, use the diagram below as a guide.

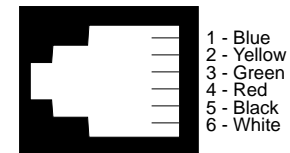
RJ-11	SIGNAL
1	-----GND [†]
2	-----RCV
3	-----XMT
4	-----XMT
5	-----RCV
6	-----GND

For proper signal crossing between two Model 1070s using RJ-11 connectors, pin-out the twisted pair cable according to the diagram below. The Model 1070 is not sensitive to polarity, so other configurations may work.

SIGNAL	PIN#	COLOR [†]	COLOR	PIN#	SIGNAL
GND [†]	1	Blue-----	White	6	GND
RCV	2	Yellow-----	Red	4	XMT
XMT	3	Green-----	Black	5	RCV
XMT	4	Red-----	Yellow	2	RCV
RCV	5	Black-----	Green	3	XMT
GND	6	White-----	Blue	1	GND

[†]Connection to ground is optional

[†]Standard color codes—yours may be different



AT&T standard modular color codes

4.2 WIRING FOR MULTIPOINT CIRCUITS

The Model 1070 supports multi-point applications using either a star or daisy chain topology. Both topologies require special wiring, as well as specific DIP switch settings for master and slave units.

4.2.1 DAISY CHAIN TOPOLOGY

Using a daisy chain topology, you may connect several Model 1070s together in a master/slave arrangement. Maximum distance between the units will vary based upon the number of drops, data rate, wire gauge, etc. Call Patton Technical Support for specific distance estimates.

Figure 4 (below) shows how to wire the two-pair cables properly for a Model 1070 daisy chain topology. Note that the ground connection is not needed.

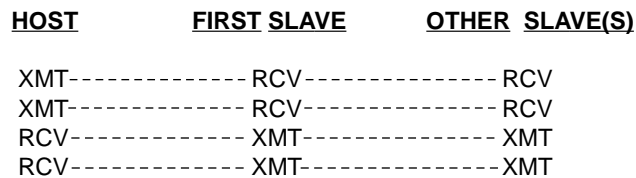


Figure 4. Model 1070 daisy chain wiring

In a multipoint topology, you must configure the CARRIER ENABLE switch (DIP switch 8) differently for the master Model 1070 than for the slave Model 1070(s). Here are the proper DIP switch settings for a daisy chain topology:

<u>Switch Number</u>	<u>8</u>
Master Positions	OFF
Slave Positions	ON

4.2.2 STAR TOPOLOGY

In a star topology, you may connect several Model 1070s together in a master/slave arrangement. Maximum distance between the units will vary based upon the number of drops, data rate, wire gauge, etc. Call Patton Technical Support for specific distance estimates.

Figure 5 (below) shows how to wire the two-pair cables properly for a Model 1070 star topology. Note that the ground connection is not needed.

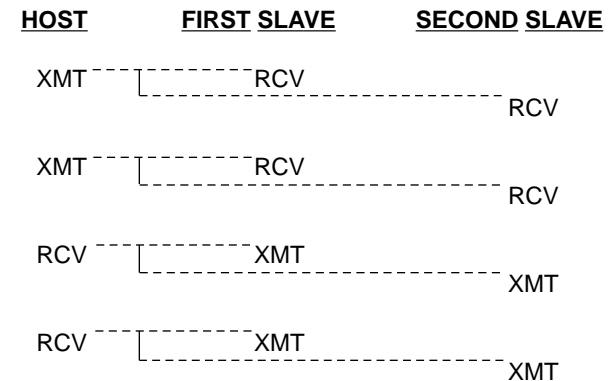


Figure 5. Model 1070 star wiring

In a multipoint topology, you must configure the CARRIER ENABLE switch (DIP switch 8) differently for the master Model 1070 than for the slave Model 1070(s). Here are the proper DIP switch settings for a star topology:

<u>Switch Number</u>	<u>8</u>
Master Positions	OFF
Slave Positions	ON

4.2 RS-232 CONNECTION

To connect the Model 1070 to data terminal hardware (PC, host, terminal, etc.), use a *straight through* RS-232 cable. To connect the Model 1070 to data communications hardware (modem, multiplexer, etc.), use a *null modem* RS-232 cable.

5.0 OPERATION

Once you have properly configured and connected each Model 1070, simply plug in the AC power adapter to get them running; there is no power switch on the Model 1070. You can monitor the operation of the Model 1070 using the front panel LED indicators and built-in loopback test modes.

5.1 LED INDICATORS

The Model 1070 incorporates six front panel LEDs that show the status of the modem:

1. The **power** LED glows when AC power is applied to the modem.
2. The **loopback test** LED glows when the loopback test switch has been depressed and is in a test mode.
3. The tri-state **TD** and **RD** indicators blink red and green with data activity. Solid red indicates a low RS-232 logic level, and no color indicates no activity on the line. Note: RS-232 devices idle in a low state, so the LED will glow red if the connections are correct and the RS-232 device is in an idle state.
4. The **RTS** and **CD** indicators glow red for a "low" signal and green for a "high" signal. Note: RTS refers to the signal generated by the DTE on pin 4. CD refers to the signal generated by the Model 1070 on pin 8. It also indicates that a signal is being received by the remote modem.

5.2 LOOPBACK TEST MODES

Selected the test modes by depressing the "Loopback Test" switch. When in loopback mode, the "Loopback Test" LED will glow red. Two tests are possible using this switch: Local Analog Loop (LAL) and Remote Analog Loop (RAL).

5.2.1 LOCAL ANALOG LOOP

The first test mode is Local Analog Loop (V.54 Loop 3). Any data sent to the local Model 1070 in this mode will be echoed (returned) back to the user device. For example, characters typed on the keyboard of a terminal will appear on the terminal screen (see Figure 6 on the following page).

5.2.2 REMOTE ANALOG LOOP

The second test mode is Remote Analog Loop. To enter this mode, set one of the Model 1070s (local) in test mode by depressing the "Loopback Test" switch. Any characters sent from the remote Model 1070 will be returned back to the originating device (see Figure 6). If no characters are echoed back, check the wiring between the two Model 1070s. Be sure to wire the units according to the instructions in Section 4.0 Installation.

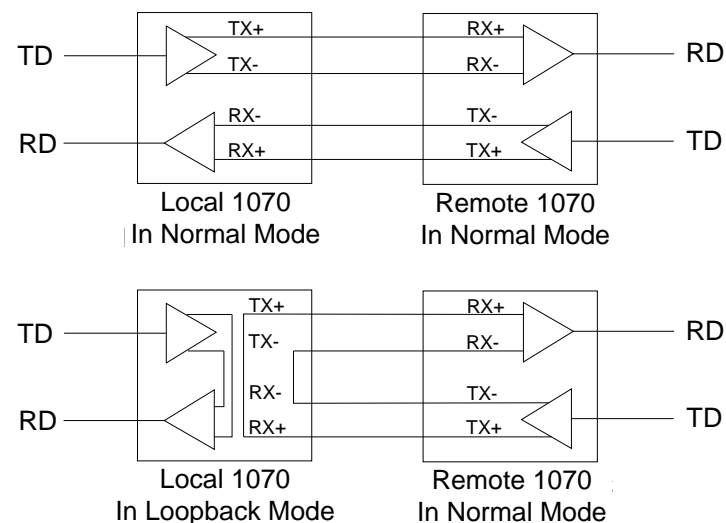


Figure 6. Loopback Test Modes

APPENDIX A

PATTON MODEL 1070 SPECIFICATIONS

Transmission Format: Synchronous

Distances: See table (below)

Interface: RS-232 (CCITT V.24) DB-25 female

Transmission Line: 4-wire, unconditioned via RJ-11 or terminal blocks

Data Rates: 1.2, 2.4, 4.8, 7.2, 9.6, 14.4 and 19.2 Kbps

Clocking: Internal or external

Controls: Carrier constantly "ON" or controlled by RTS; RTS/CTS delay set to 0, 8 or 53 mS

Applications: Point-to-point or multi-point

Indicators: Tri-state indicators for Transmit Data, Receive Data, Request to Send and Carrier Detect

Diagnostics: Loop 3 and 4, local and remote analog loopback

Optical Isolation: 2500 V RMS (minimum)

Power Supply: Wall-mount, 10 - 12V AC, 200mA

Dimensions: 4.127"W x 1.52"H x 5.0"L

APPENDIX B

PATTON MODEL 1070 CABLE RECOMMENDATIONS

The Patton Model 1070 is designed and tested to communicate over twisted-pair cable with the following characteristics:

<u>Wire Gauge</u>	<u>Capacitance</u>	<u>Resistance</u>
19 AWG/.9mm	83nF/mi or 15.72 pF/ft.	.0163Ω/ft.
22 AWG/.6mm	83nF/mi or 15.72 pF/ft.	.0326Ω/ft.
24 AWG/.4mm	83nF/mi or 15.72 pF/ft.	.05165Ω/ft.

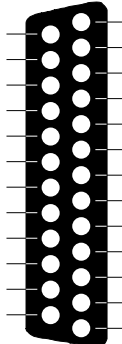
Using the above characteristics as a baseline, we estimate the distance limitations for the Model 1070 to be as follows.

Data Rate	Wire Gauge		
	19 (.9mm)	22 (.6mm)	24 (.4mm)
19,200	2.5 (4.0)	2.1 (3.4)	1.3 (2.1)
9,600	3.7 (6.0)	2.3 (3.7)	1.7 (2.7)
4,800	4.9 (7.9)	4.9 (7.9)	2.5 (4.0)
2,400	8.2 (13.2)	5.8 (9.3)	4.6 (7.4)
1,200	10.2 (16.4)	8.3 (13.4)	6.8 (10.9)

To reduce the potential of difficulties in the field, we recommend that the cable used to connect the Model 1070s have a capacitance of no greater than 20pF/ft., and that the wire be no thinner than 26 AWG. The Model 1070 is designed to withstand normal environmental noise and conditions. However, other environmental factors too numerous to discuss may affect proper operation. *The distance table above should be used as a general guideline only.*

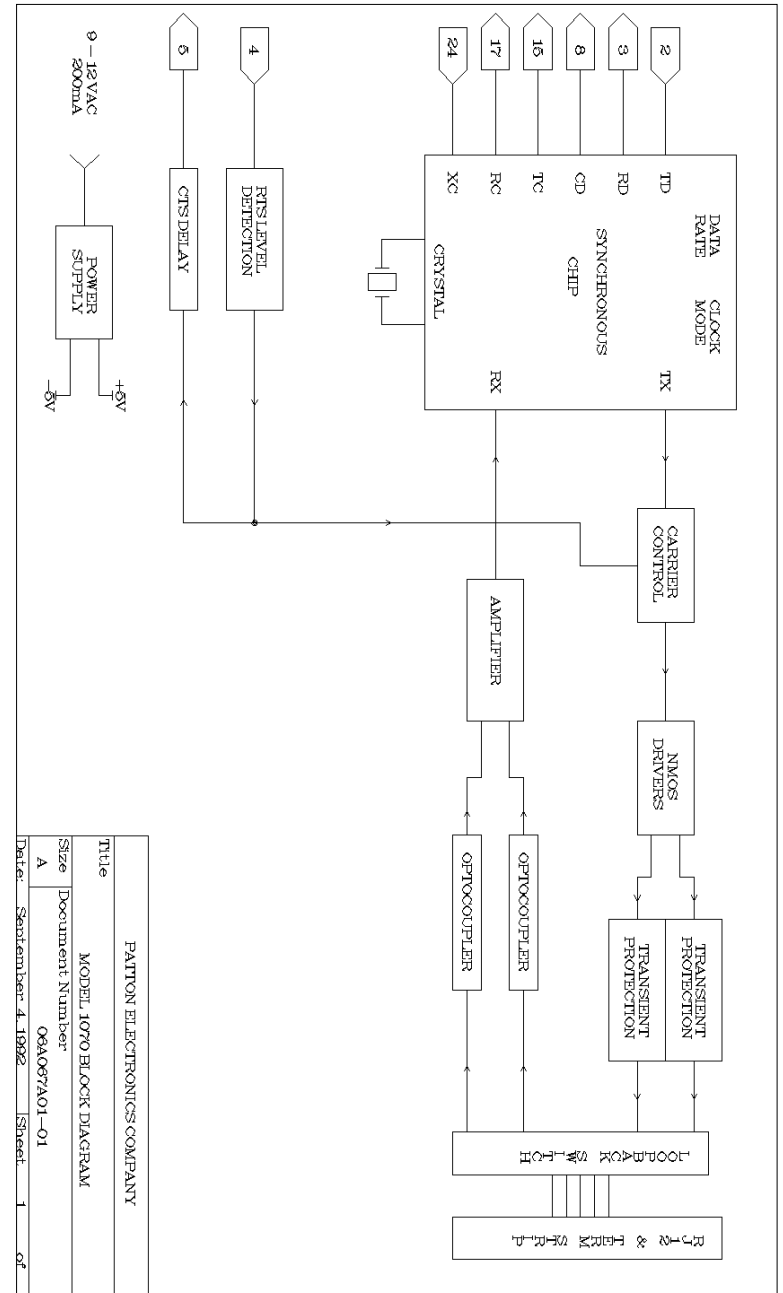
APPENDIX C

PATTON MODEL 1070 INTERFACE PIN ASSIGNMENTS

DIRECTION	STANDARD "DCE"	DIRECTION
To Model 1070	 <p>1- (FG) Frame Ground 2- (TD) Transmit Data 3- (RD) Receive Data 4- (RTS) Request to Send 5- (CTS) Clear to Send 6- (DSR) Data Set Ready 7- (SG) Signal Ground 8- (DCD) Data Carrier Detect 11-</p>	To Model 1070
		From Model 1070
		To Model 1070
		From Model 1070
		From Model 1070
		From Model 1070
		From Model 1070
		To Model 1070
	Data Term. Ready (DTR) - 20	

APPENDIX D

PATTON MODEL 1070 BLOCK DIAGRAM



APPENDIX B
TROUBLESHOOTING

SYMPTOM	PROBLEM	SOLUTION
LEDs do not light when AC power transformer is plugged into wall	1. Loose power connection	1. Make sure the AC connection is flush
	2. Outlet is defective	2. Try a different outlet
	3. AC power cord is defective	3. Remove the cord from the outlet and check for continuity
	4. The AC transformer is not plugged into the Model 1070	4. Have another cup of coffee!
No data transfer in either or both directions	1. Improper twisted pair wiring	1. Compare your twisted pair wiring with the diagram in Section 4.1
	2. Improper bit rate setting	2. Ensure all bit rate settings on all connected serial ports are the same
	3. Distance specifications exceeded	3. Check specifications in Appendix A

APPENDIX B
TROUBLESHOOTING

SYMPTOM	PROBLEM	SOLUTION
"TD" and "RD" LEDs indicate activity, but units will not communicate or data is garbled	1. Improper RS-232 wiring	1. Check wiring between Model 1070 and connected DTE device—it should be <i>straight through</i>
	2. Improper twisted pair wiring	2. Compare your twisted pair wiring with the diagram in Section 4.1
	3. Improper bit rate setting	3. Make sure the bit rates on all connected serial devices are the same
"TD" and "RD" LEDs indicate activity, but "CD" LED is unlit or red (should be green)	1. Defective twisted pair line	1. Test continuity of twisted pair line
	2. Poor twisted pair connection to Model 1070s	2. Check screw terminal/RJ-11 connections to Model 1070s; check integrity of plug RJ-11 terminations
Occasional data errors	1. Distance/bit rate capacity exceeded	1. Check specifications in Appendix A
	2. Poor quality twisted pair circuit	2. Use a different twisted pair circuit
	3. Poor twisted pair connections to Model 1070s	3. Check screw terminal/RJ-11 connections to Model 1070s; check integrity of plug RJ-11 terminations