



SPARE PART AND OPERATION MANUAL
Vegetable Slicer 317/317AN

SLICER KNIFE AND SHREDDER/GRATER INSTALLATION

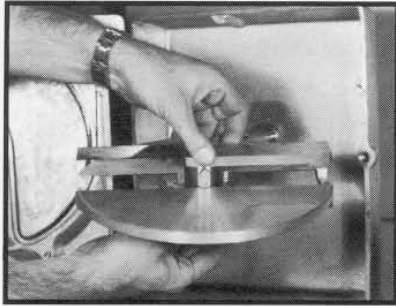
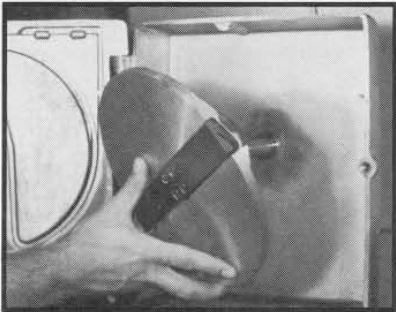


FIGURE 1

WARNING: USE EXTREME CAUTION WHEN HANDLING KNIFE ASSEMBLY. CUTTING EDGES ARE VERY SHARP AND INJURY MAY RESULT.



ASSEMBLY

FIGURE 2 (a)

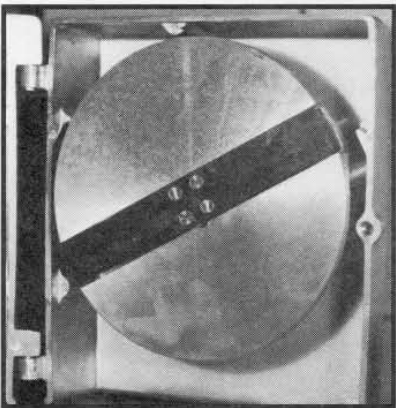


FIGURE 2 (b)

STEP 1.

Insert the knife assy. F into the slicer disc E. [Figure 1]

STEP 2.

Install the adjustment ring on the knife assy. shaft by turning the ring counterclockwise. Snug hand tight.

NOTE: Use care when starting threads on ring and knife assy. Threads are very fine and left hand. Care should be taken so as not to crosstthread.

REFERENCE FIGURE 1 (Page 4) AND FIGURE 4 (Page 2).

STEP 3.

To adjust the thickness of the slices, rotate the adjustment ring clockwise for thicker slices and counterclockwise for thinner slices. After desired adjustment is reached, snug the nylon lock screw. **DO NOT OVER TIGHTEN!**

NOTE: Soft Vegetable Slicer (M) is installed in the same manner as the Shredder. [Figure 3]

STEP 4.

Install the Knife assy. over the shaft of the Rear Housing Assy.

STEP 5.

Close Front housing assy. (door) and hand tighten Thumb Screw.

NOTE: Shredders and Graters are installed as in Step 4 above. They need no adjustment.

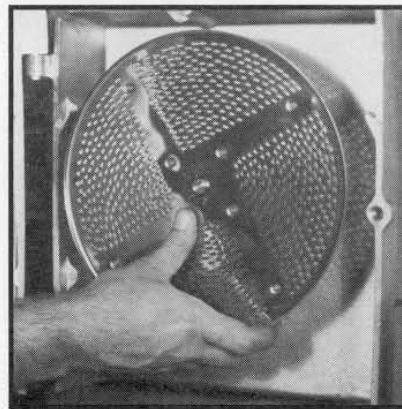
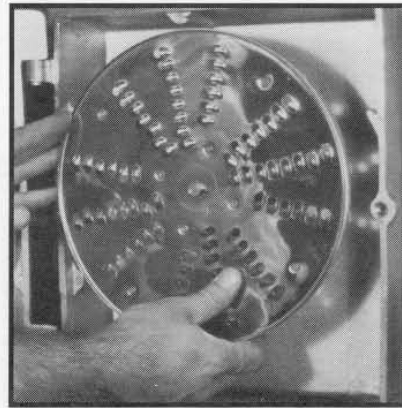


FIGURE 3

CLEANING INSTRUCTIONS

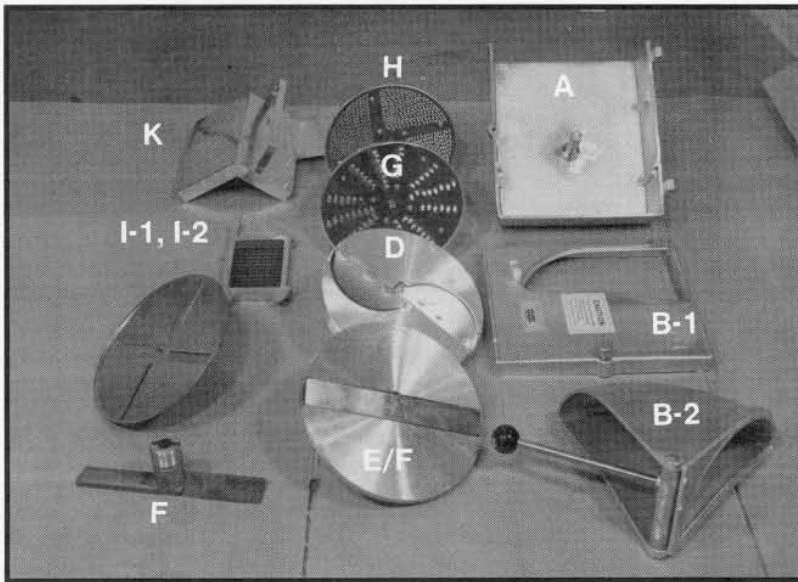
All attachments and accessories should be Hand Washed in a mild detergent and warm water.

DO NOT WASH IN DISHWASHER!

NOTE: Lubrication of the rear housing shaft and bushing with a few drops of light weight oil prior to each use.

NOTE: Knife blade should be coated with vegetable oil after washing to prevent oxidation. Knife blade is made from a high carbon steel and cannot be sharpened.

VARIMIXER SLICER/SHREDDER ATTACHMENTS



1. A – No. 17 Housing Assy. (Rear)
2. B-1 – No. 17 Housing Assy. (Front)
3. B-2 – Trough Assy.
4. E/F – Slicer Knife & Disc. Assy.
- 4a. F – Knife Assy.
5. G – Shredder
6. D – Soft Vegetable Slicer Assy.
7. H – Grater
8. K – Separating skid
9. I-1 – French Fry Grid or Dicer

HOUSING AND DICER GRID INSTALLATION INSTRUCTIONS

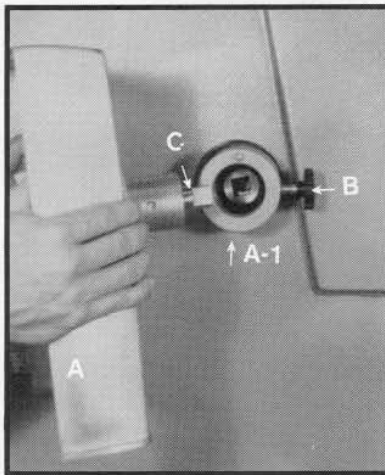


FIGURE 2

STEP 1.

Remove Accessory Drive Dust Cover

STEP 2.

Insert shaft of Housing rear (A) in the Accessory Drive (A1). Ensure that Shaft (C) is aligned with the notch in the rear housing. Rotation of shaft may be necessary to engage drive. Secure by tightening knob [FIGURE 2 (B)]

STEP 3.

Insert Dicer (I1) or French Fry Grid as shown. [FIGURE 3]

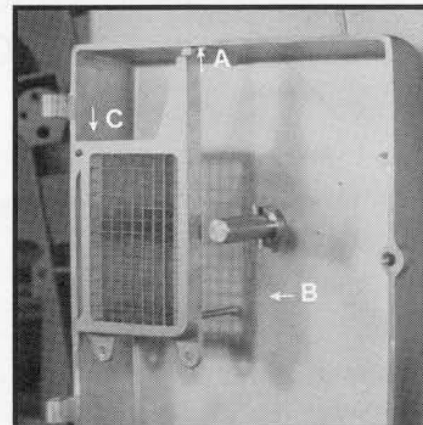


FIGURE 3

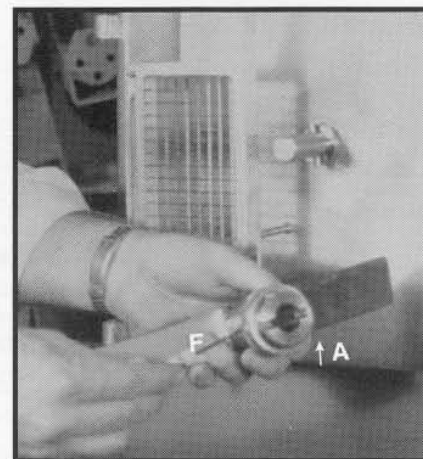


FIGURE 4

STEP 4.

CAUTION: Knife is sharp. Remove F — Knife Assy. from E — Disc by loosening the Nylon Lock Screw and removing the adjustment ring. [Figure 4] [Note: Threads are left hand.] Reinstall adjustment ring onto Knife assy. and SNUG nylon lock screw when proper adjustment is made. [See instructions for knife adjustment later in this brochure.]

Insert Knife Assy. (F) as follows:

1. Loosen nylon lock screw. [Figure 4(A)]
2. Rotate blade adjustment ring counterclockwise until the notch is completely visible on shaft.
3. Snug nylon lock screw (A).

DO NOT OVERTIGHTEN!

4. Insert Knife Assy. (F) onto drive shaft of housing rear as shown. [Figure 5]

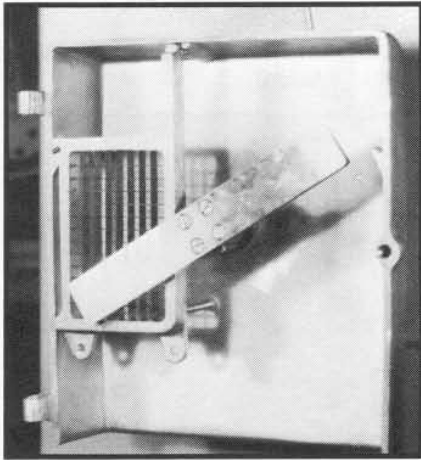


FIGURE 5

STEP 5.

Install separator skid (K) by inserting the 2 pins (shown) into holes on bottom of Cuber (I-2) or French Fry grid. [Figure 6]

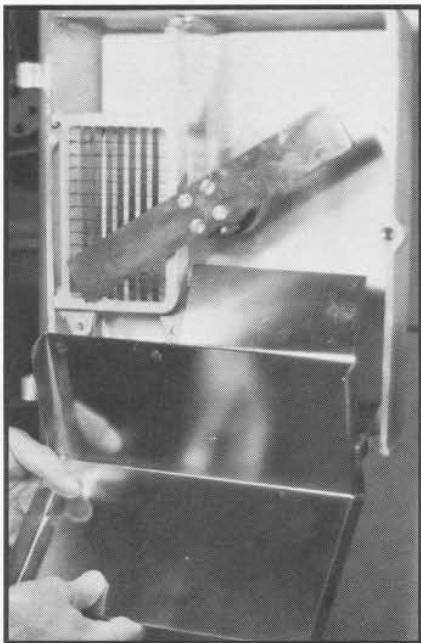


FIGURE 6

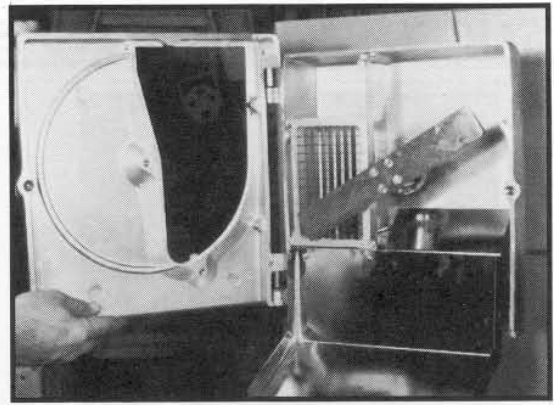


FIGURE 7

STEP 6.

Install housing front or door (B-1) onto hinge pins. Close and fasten with thumb screw.



FIGURE 8

STEP 7.

Install Trough (B-2) as shown. [Figure 8]

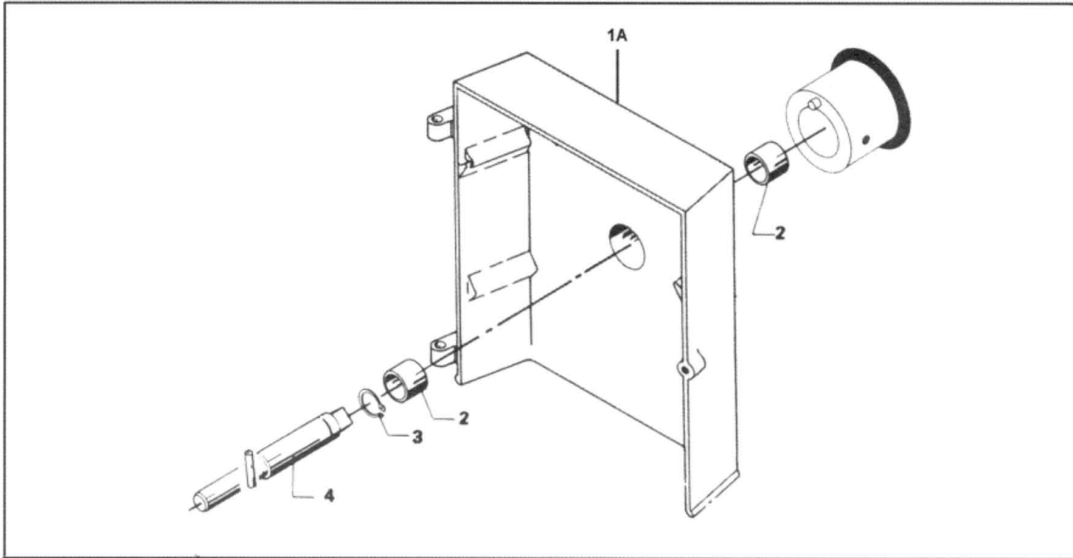
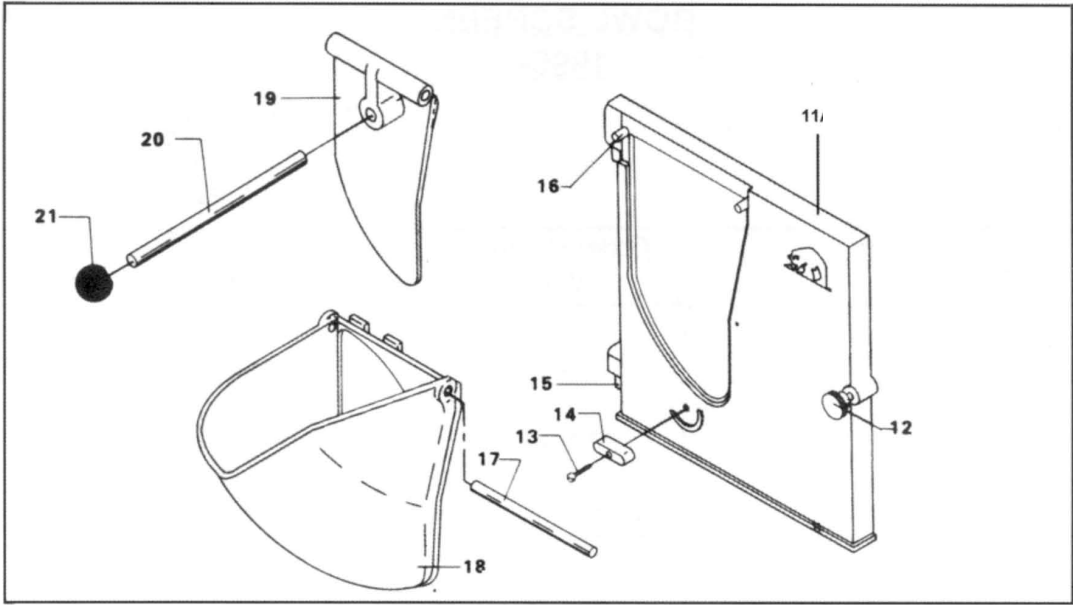


FIGURE 9

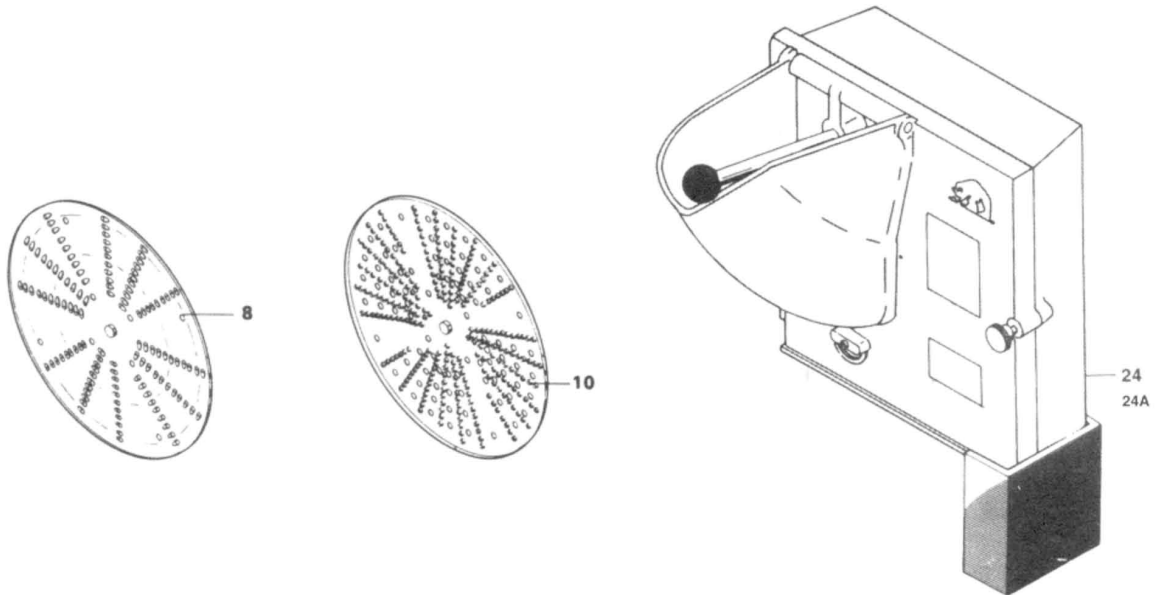
YOU ARE NOW READY TO CUT!

NOTE: Speed control has no effect on accessory attachment drive.

WARNING: Keep clear of moving parts and cutting accessories. Do not operate unit with front housing open.

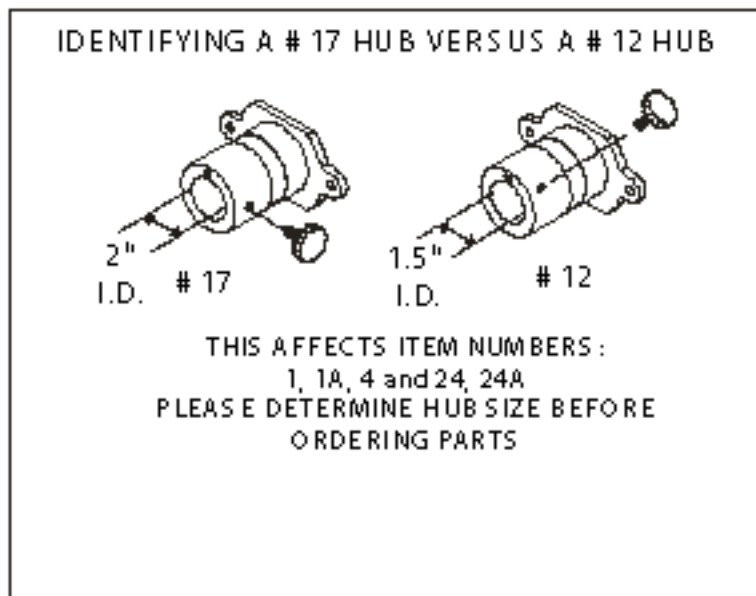


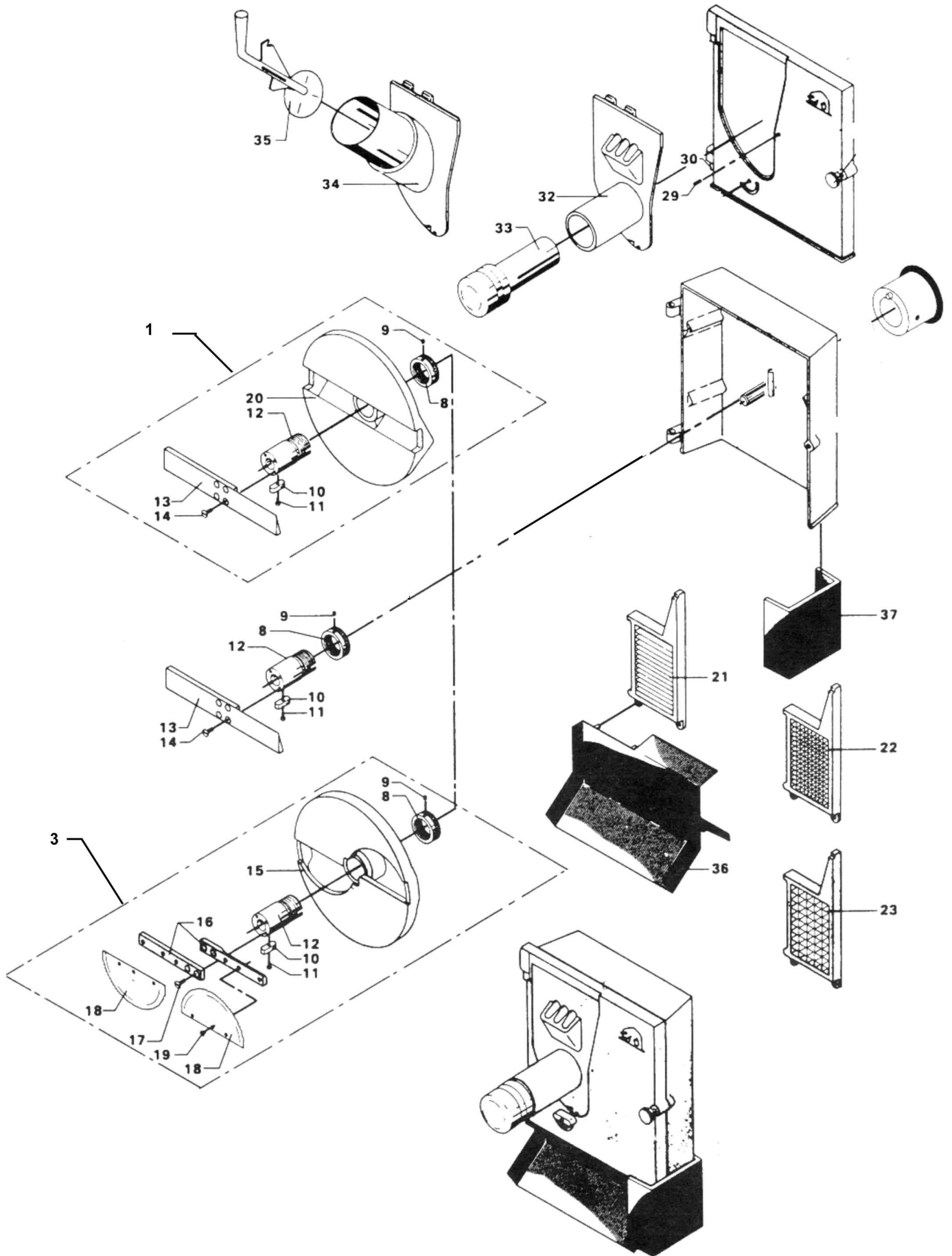
1
1A



VEGETABLE SLICER / CHEESE GRATER

FIG NO.	DESCRIPTION	PART NUMBER
1.	Rear Housing #17	317A
1A.	Rear Housing #12	317AN
2.	Bushing #17 Housing	STA 2537
	Bushing(s) #12 Housing	STA 2538 & STA 2539
3.	Snap Ring	STA 3410
4.	Shaft Assembly #17	17R100M
4A.	Shaft Assembly #12	17R100N
8.	Shredding Disc (1/16")	317G/2
8A.	Shredding Disc (1/8")	317G/3
8B.	Shredding Disc (3/16")	
8C.	Shredding Disc (1/4")	317G/5
10.	Grating Disc	
11.	Front Door Assembly (Items # 11 thru 16)	317G/7
12.	Thumb Screw	
13.	Screw	317H
14.	Fastener	317B1
15.	Pin	17R102
16.	Pin	STA 5155
17.	Shaft for Pressure Lid	17R107
18.	Trough Assembly (Items # 17 thru 21)	STA 6425
18A.	Trough	STA 6426
19.	Pressure Lid	17R130
20.	Lever	317B2
21.	Knob	17R004
24.	Veg. Slicer Assembly #17	17R005
24A.	Veg. Slicer Assembly #12	20-146





VEGETABLE SLICER / CHEESE GRATER ACCESSORIES

FIG NO.	DESCRIPTION	PART NUMBER
1.	Adjustable Knife	317E
3.	Soft Vegetable Knife	317D
8.	Nut	17R104
9.	Screw	STA 5715
10.	Key	17R108
11.	Screw	STA 5009
12.	Knife Hub	17R103
13.	Knife	17R300
14.	Screw	STA 5011
15.	Slicing Disc (Curved)	17R008
16.	Support for Curved Knife	17R106
17.	Screw	STA 5611
18.	Curved Knife	17R301
19.	Screw	STA 5007
20.	Slicing Dics (Straight Knife)	17R007
21.	Grate (French Fries)	317 I2/K
23.	Grate (Cube) 3/8 x 3/8	317I1/K
29.	Screw	STA 5710
30.	Pin	STA 6425
32.	Tubular Front	317L
33.	Stomper	6R351
34.	Diagonal Tube	317C
35.	Stomper	17R020
36.	Separating Skid	317K
37.	Splash Cover	17R318