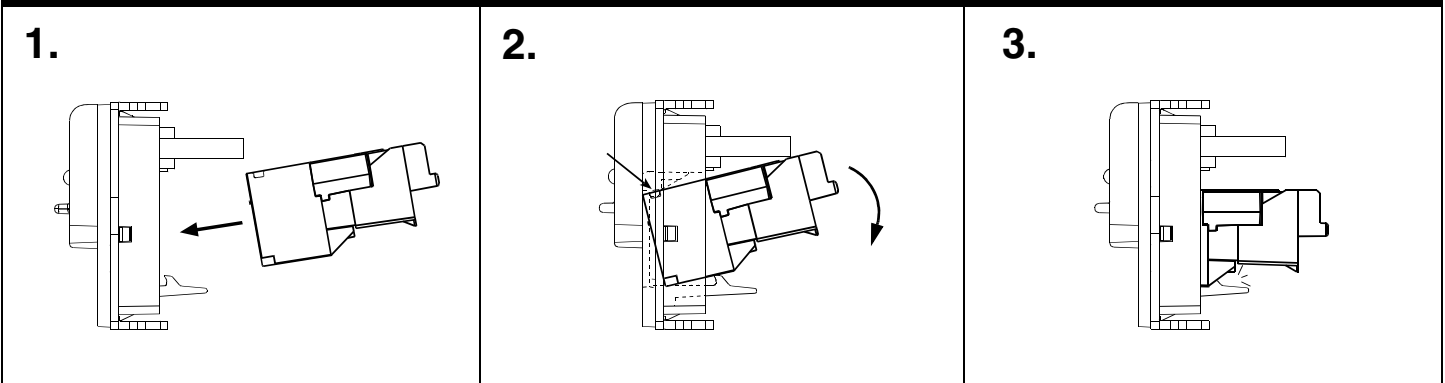
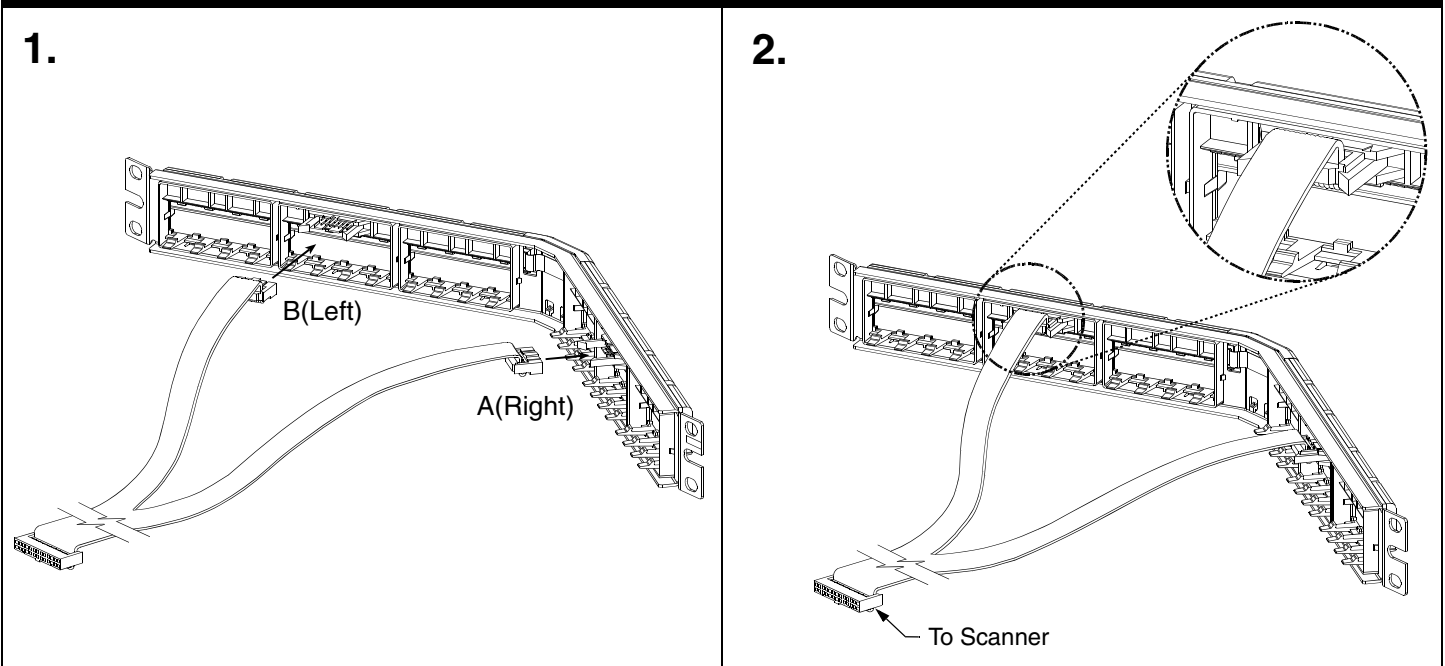


Module Installation

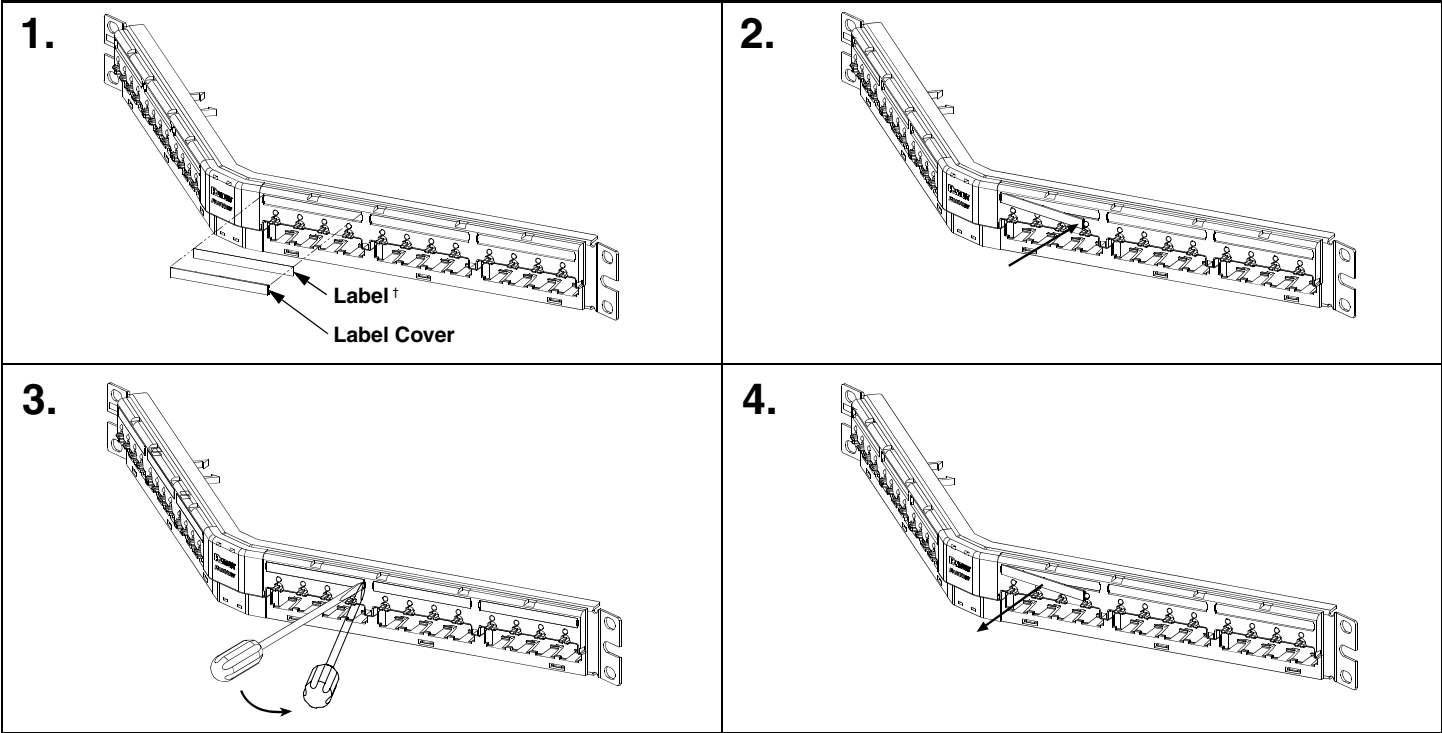


Flat Cable Installation



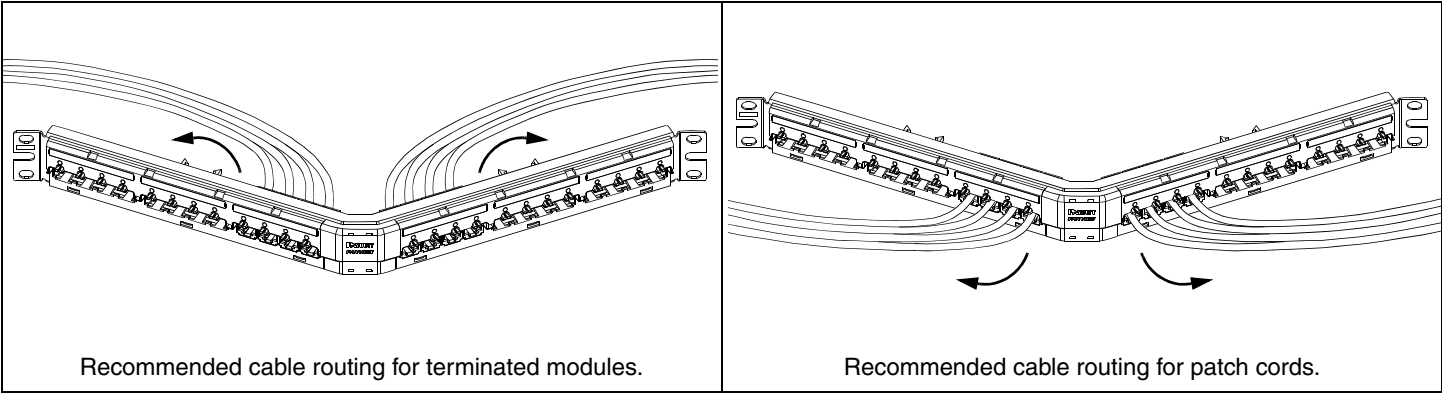
* Part Numbers include 24 *MINI-COM* Series Jack Modules.

Label† / Label Cover Installation & Removal - (screwdriver required)



† Write on labels are not included with these Patch Panels per TIA/EIA-606-A standard which states: "To maximize legibility, all labels shall be printed or generated by a mechanical device, and shall not be written by hand." (Refer to table below for label products)

All cables should flow directly into vertical cable managers on the corresponding side of the Angled Panel.



ULTIMATE ID Label Part Numbers

Label Part #	Height	Length	Color	Std. Pkg. Qty.
Computer Printable Labels				
UILJ4	.236"	2.585"	White	5 sheets
Non-Adhesive Label Cassette (for use with PANACEA LS7 Thermal Transfer Printer)				
*UILS7BW	1/4"	26.2'	Black / White	1

* See PANDUIT LS7 Operations Manual to explain serialized function for label printing and page function for non-serialized label printing.

<p>For Instructions in Local Languages and Technical Support: www.panduit.com/resources/install_maintain.asp</p>	 www.panduit.com	<p>E-mail: cs@panduit.com Fax: (708) 444-6993</p>
--	---	--