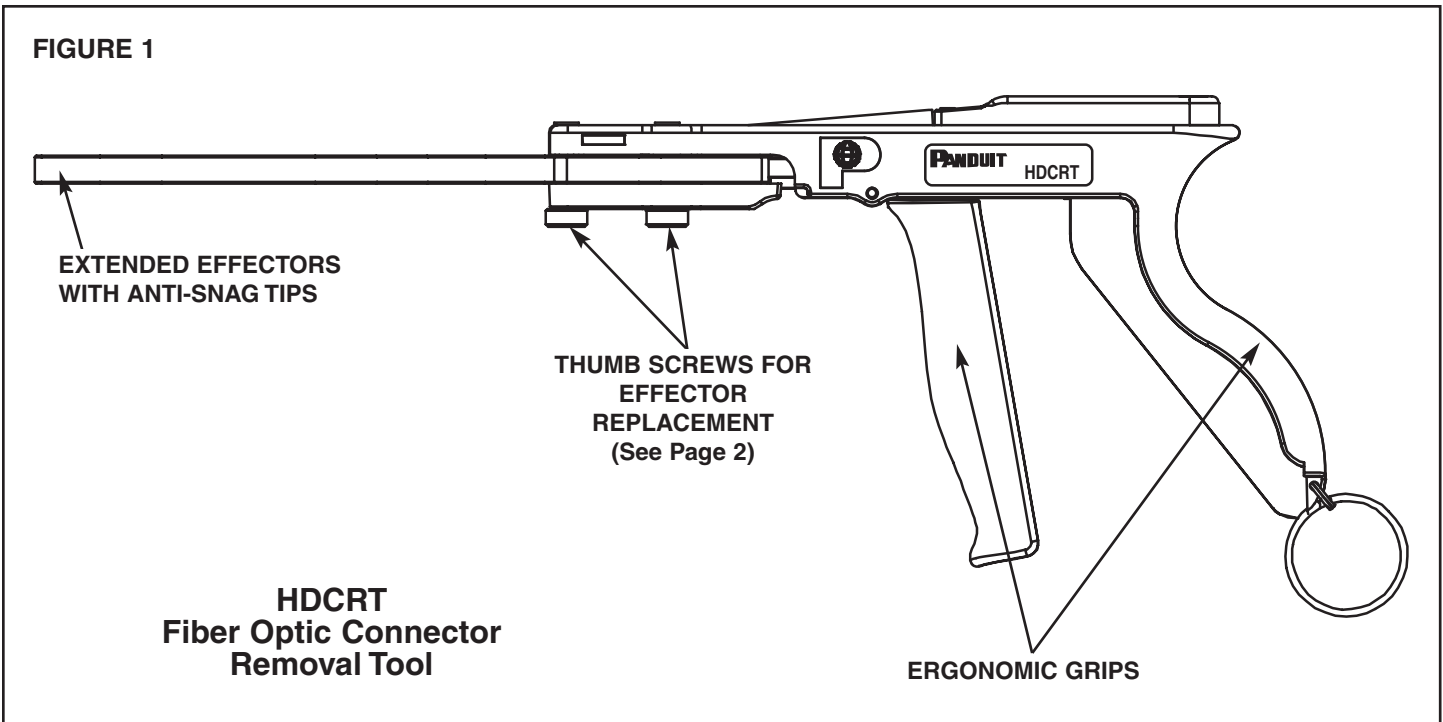


FIBER OPTIC CONNECTOR REMOVAL TOOL OPERATION INSTRUCTIONS

© Panduit Corp. 2005



- HDCRT can be used by either right or left handed operators
 - HDCRT is supplied with LC Effector assembly and is used with LC Fiber Optic Connectors
- (See Page 2 for additional kits (available separately))



WARNING: When using this tool (as with any tool) in a static sensitive area, the operator should use an industry approved, standard grounding wrist strap system.

OPERATION

1. Figure 1 above illustrates the HDCRT Fiber Optic Connector Removal Tool
2. The open effectors allow the operator to pass over fiber optic cabling that interferes with connector accessibility.

Website: www.panduit.com
E-mail: cs@panduit.com



Technical Support:
888-506-5400, ext. 6914
Fax: 708-444-6993

HDCRT FIBER OPTIC CONNECTOR REMOVAL TOOL OPERATION INSTRUCTIONS

FIGURE 2

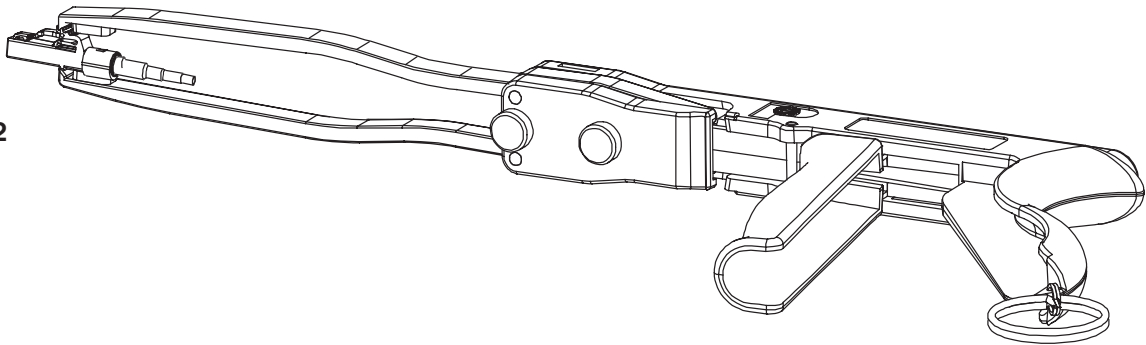
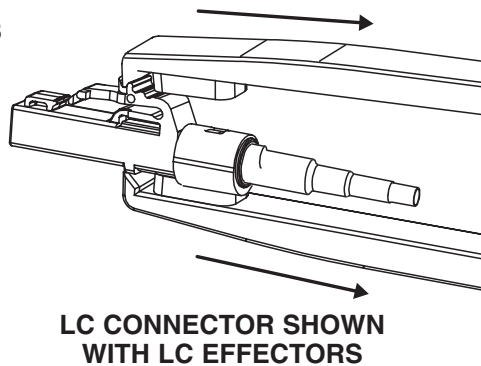


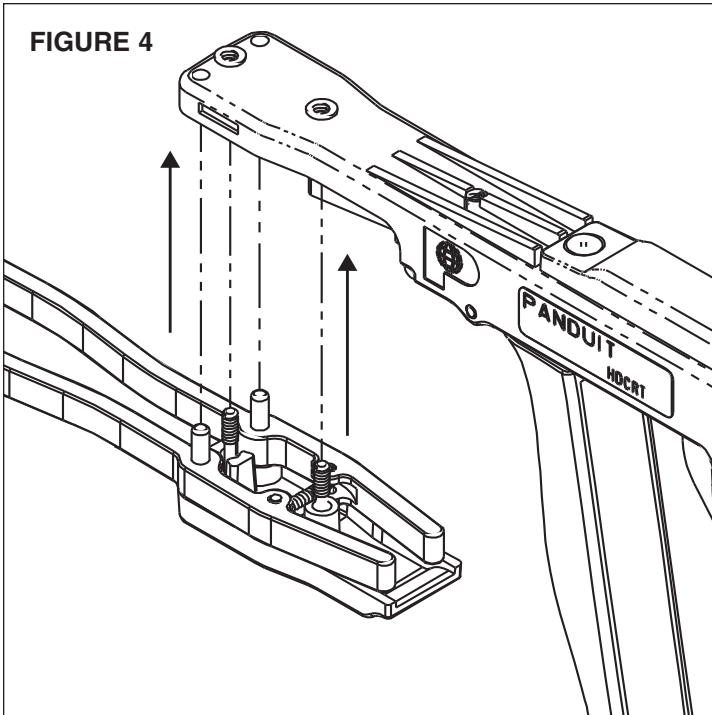
FIGURE 3



3. The effectors are placed on the connector (see Figure 3), and the tool grip is squeezed to obtain a firm grip on the connector.
4. Pulling the tool in a rearward direction will remove the connector from the adapter.
5. To install connectors, place connector in effectors, squeeze grip (tool will hold connector), and push connector into adapter with polarizing tab located properly.

EFFECTOR REPLACEMENT

FIGURE 4



HDCRT REPLACEMENT KITS AND ACCESSORIES: (Sold Separately)

- KHDCRT-LCE - Effector Kit for LC Fiber Optic Connectors
- KHDCRT-SCE - Effector Kit for SC Fiber Optic Connectors
- KHDCRT-FL - Flashlight Kit for HDCRT Fiber Optic Connector Removal Tool