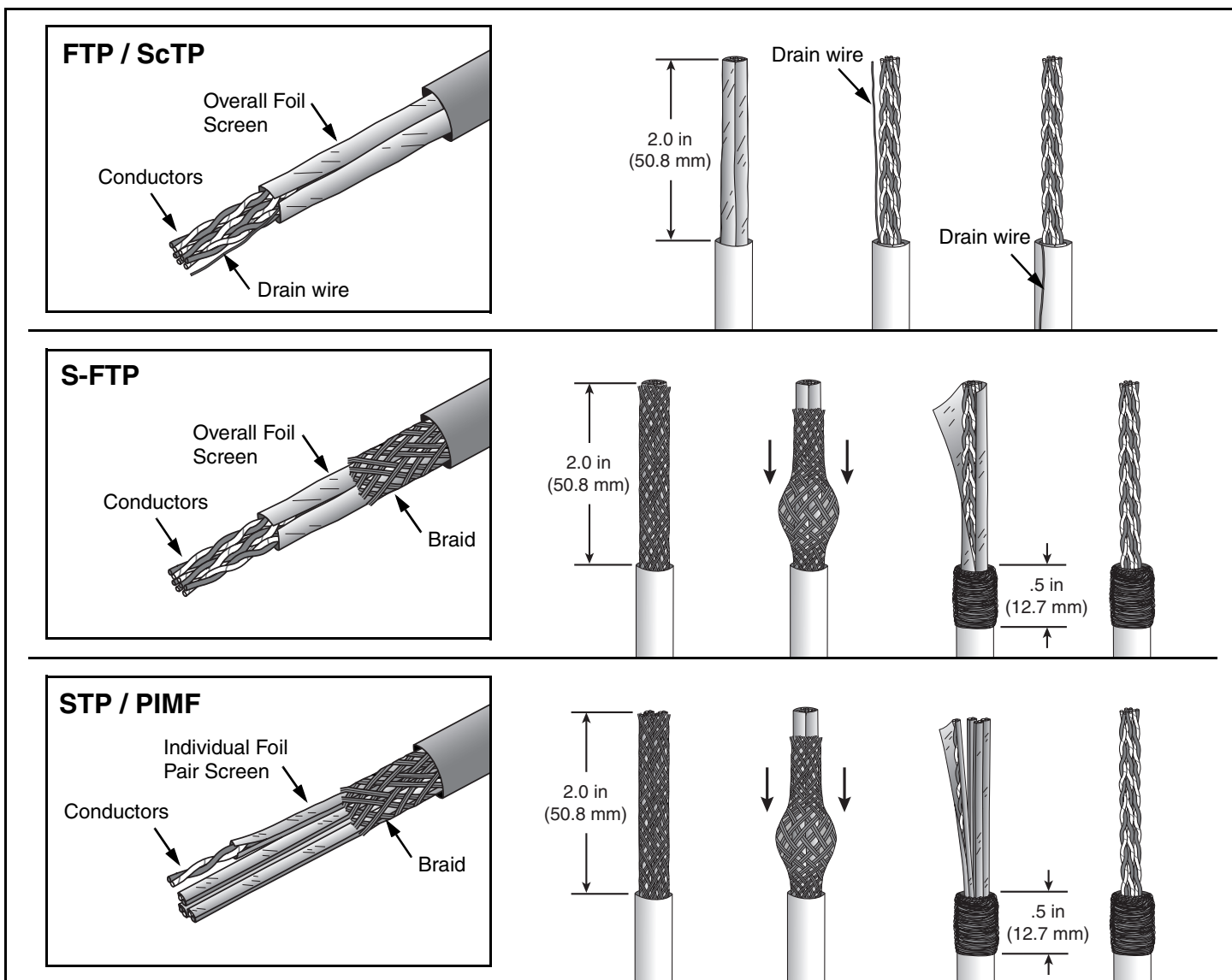
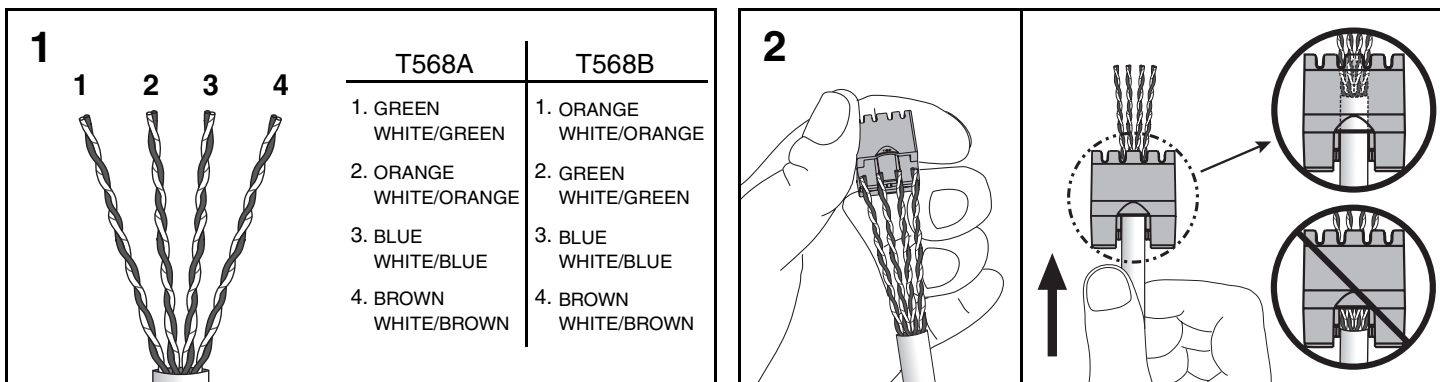


## CABLE PREPARATION



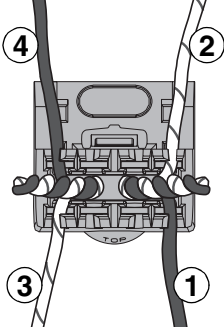
**Note:** May also use S-STP / PIMF cable type (conductors, individual foil pair screen, overall foil screen, and braid).

## TERMINATION



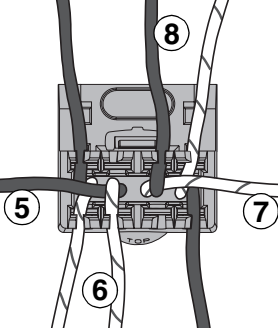
# INSTALLATION INSTRUCTIONS PN347

**3**



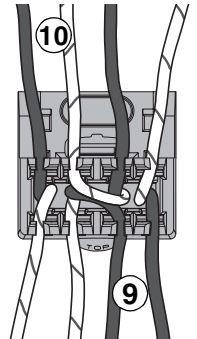
T568A	T568B
1. BROWN	1. BROWN
2. WHITE/BROWN	2. WHITE/BROWN
3. WHITE/GREEN	3. WHITE/ORANGE
4. GREEN	4. ORANGE

**4**



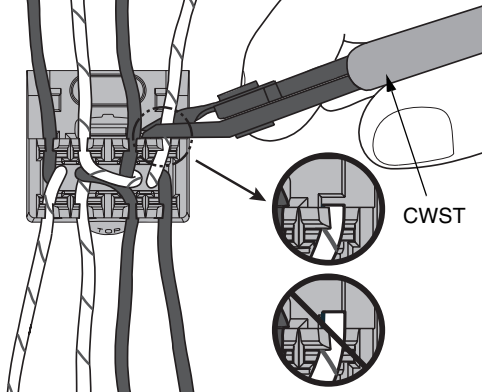
T568A	T568B
5. ORANGE	5. GREEN
6. WHITE/ORANGE	6. WHITE/GREEN
7. WHITE/BLUE	7. WHITE/BLUE
8. BLUE	8. BLUE

**5**



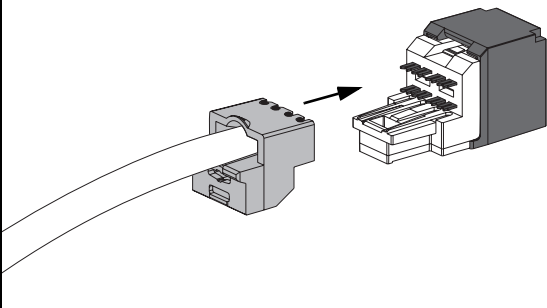
T568A	T568B
9. ORANGE	9. GREEN
10. WHITE/BLUE	10. WHITE/BLUE

**6**

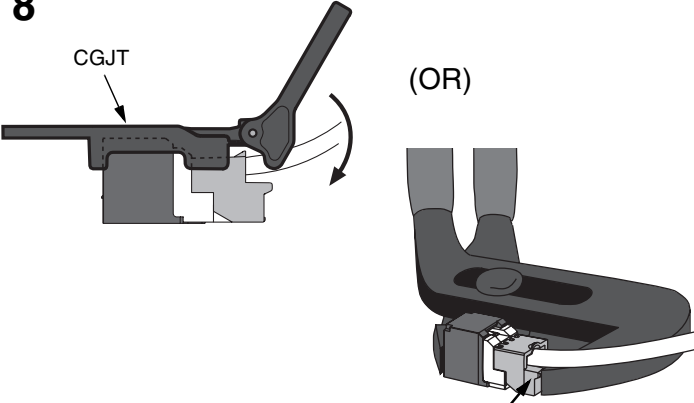


CWST

**7**



**8**

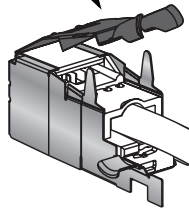


CGJT

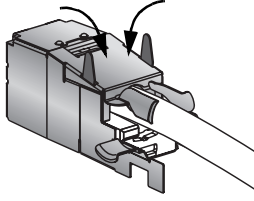
(OR)

## SHIELD INSTALLATION

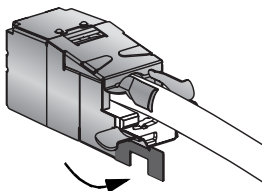
**1**



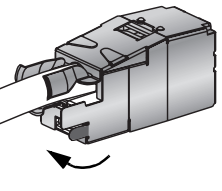
**2**



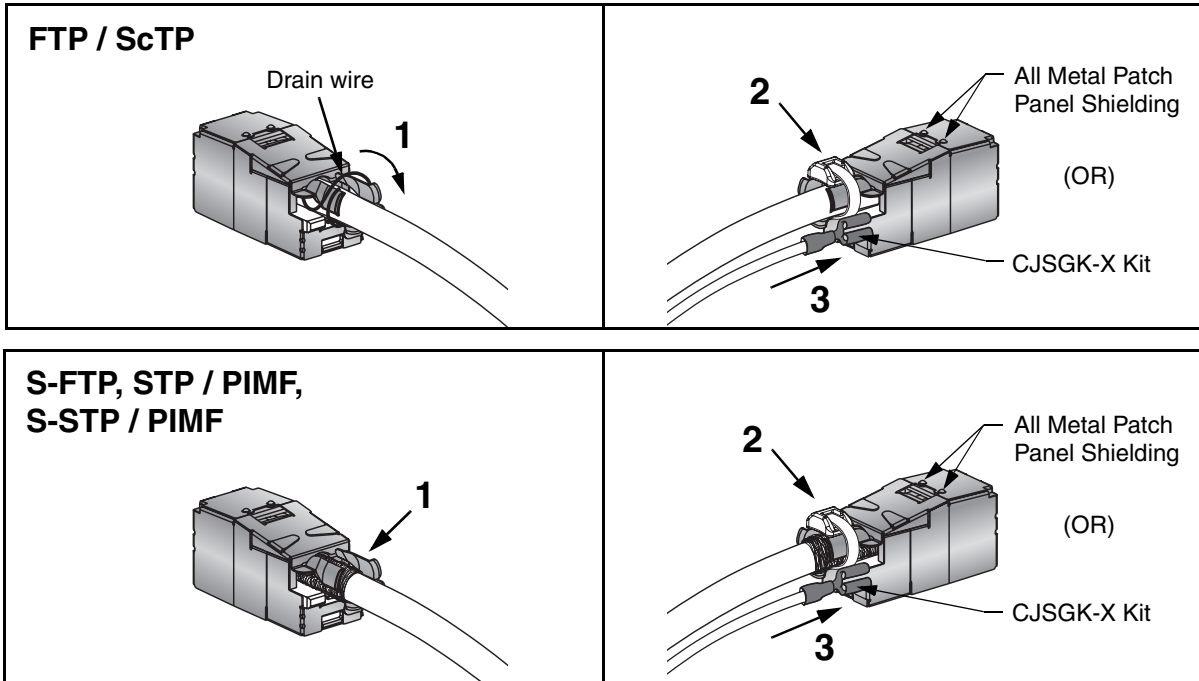
**3**



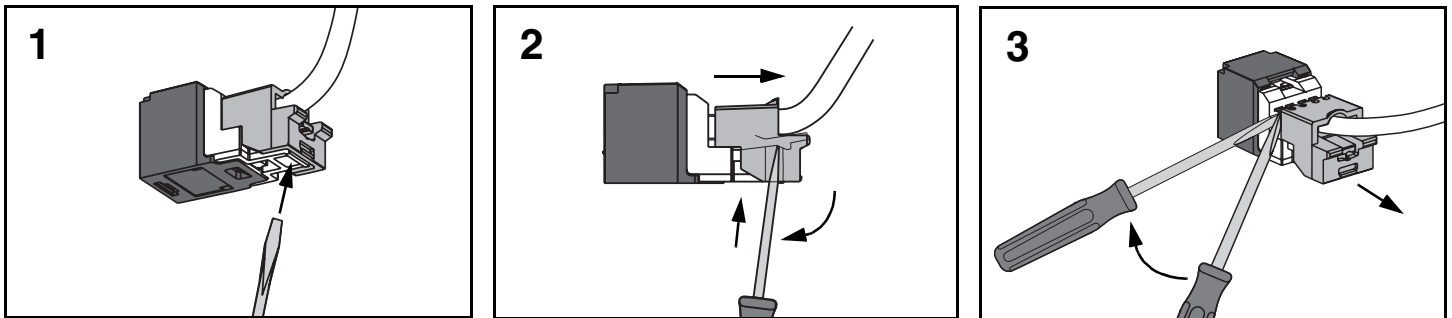
**4**



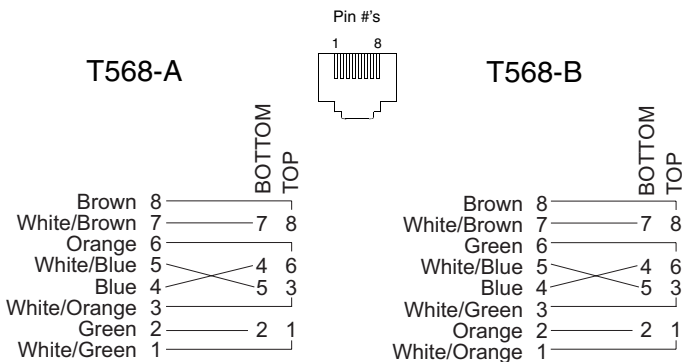
**TELECOMMUNICATION ROOM SHIELDING CONTINUITY**



**TERMINATION CAP REMOVAL**



**GIGA-TX Wiring Sequences**



**Notes:**

1. For specified performance, follow TIA/EIA 568-B installation guidelines.
2. Jack Modules can terminate PVC or Plenum rated 22-24 AWG solid or stranded IWC cable with 0.048 inch (1.2 mm) maximum insulated conductor outside diameter.
3. Jack Modules may be re-terminated a minimum of 10 times.
4. For technical and performance information, consult *PANDUIT* Technical Support.

**As with all Wiring Accessories, the following statements apply:**

1. Never install communications wiring during a lightning storm.
2. Never install communications wiring in wet locations unless the jack is specifically designed for use in wet locations.
3. Never touch uninsulated communications wiring or terminals unless the communication line has been disconnected at the network interface.
4. Use caution when installing or modifying communication wiring.

For Instructions in Local Languages and Technical Support:

[www.panduit.com/resources/install\\_maintain.asp](http://www.panduit.com/resources/install_maintain.asp)



[www.panduit.com](http://www.panduit.com)

E-mail: [cs@panduit.com](mailto:cs@panduit.com)

Fax: (708) 444-6993