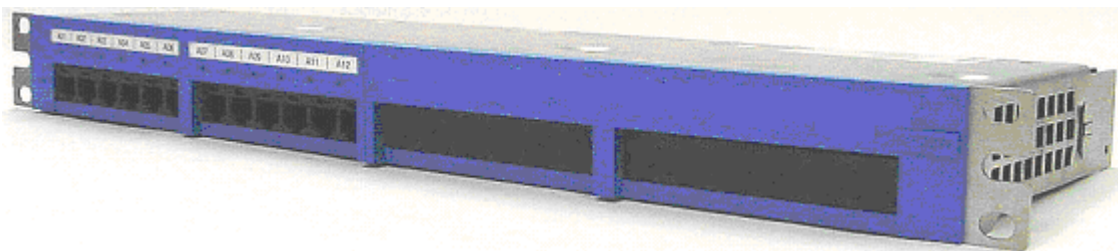
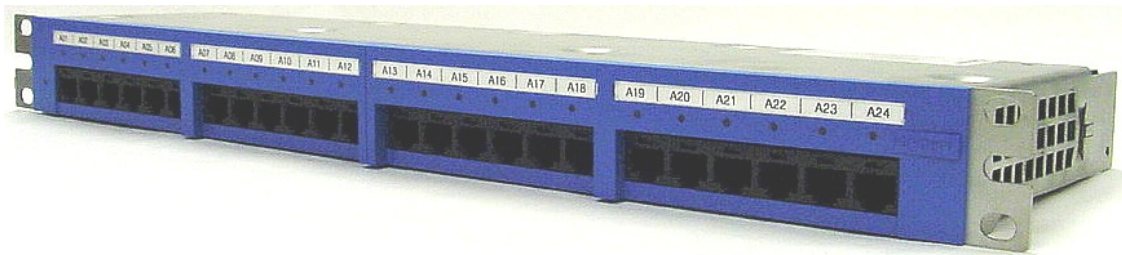


DPOE™ Power Patch Panel User's Guide

Part Numbers: DPOE24U1X, DPOE24U1XY,
DPOE12U1X, DPOE12U1XY, DPOE24S1X,
DPOE24S1XY



Issue 2.2
Part Number: PN378A

August 2006



© 2006 PANDUIT Corp.
All Rights reserved

www.panduit.com

Safety Warning

Always observe standard safety precautions during installation, operation and maintenance of this product. Read the installation instructions before you connect the unit to its power source. This unit must be connected to earth ground, do not bypass the grounding system. To avoid the possibility of electric shock, disconnect the power cord from the power source before removing the cover or performing any repairs. Only a competent technician who is aware of the hazards involved should carry out adjustment maintenance or repairs. The operator or user should perform no adjustment, maintenance or repairs to the opened instrument. There are no user serviceable parts inside the unit. Do not work on the system or connect or disconnect cables during periods of lightning activity. Ultimate disposal of this product should be handled according to all national laws and regulations.

WARRANTY

Unless otherwise specified, all products presented in this user's guide are warranted against defects in material and workmanship for a period of one year from the date of sale to the initial purchaser. *PANDUIT* Corp. warrants that its firmware designed by *PANDUIT* Corp. for use with the product will execute its functions when properly installed in the product for one year from the date of sale to the initial purchaser. *PANDUIT* Corp. does not warrant that the operation of the product or the firmware will be uninterrupted or error-free. During the warranty period *PANDUIT* Corp. will, at its discretion, either repair or replace products that prove to be defective. For warranty service or repair, the product claimed to be defective must be returned to a service facility designated by *PANDUIT* Corp. Buyer shall prepay all the shipping charges to *PANDUIT* Corp. and if, in the opinion of *PANDUIT* Corp., the product is defective, *PANDUIT* Corp. shall pay shipping charges to return the product to Buyer. However, Buyer shall pay all shipping charges, duties and taxes for products returned to *PANDUIT* Corp. from another country.

The foregoing warranty shall not apply to defects resulting from, buyer-supplied firmware or unauthorized interfacing, modification or misuse of the product, operation outside of the environmental specifications for the product, or improper or inadequate site preparation or maintenance by Buyer.

NO OTHER WARRANTY IS EXPRESSED OR IMPLIED. *PANDUIT* CORP. SPECIFICALLY DISCLAIMS THE IMPLIED WARRANTIES OF MERCHANTABILITY AND FITNESS FOR A PARTICULAR PURPOSE.

THE REMEDIES PROVIDED HEREIN ARE BUYER'S SOLE AND EXCLUSIVE REMEDIES. *PANDUIT* CORP. SHALL NOT BE LIABLE FOR ANY DIRECT, INDIRECT, SPECIAL, INCIDENTAL OR CONSEQUENTIAL DAMAGES, WHETHER BASED ON CONTRACT, TORT OR OTHER LEGAL THEORY.

Unless otherwise specified by *PANDUIT* Corp., opening of this product by unauthorized personnel will void this warranty.

TRADEMARKS

DPoE™ is a trademark of *PANDUIT*® Corp. All other trademarks are the property of their respective owners.

TABLE OF CONTENTS

Safety Warning.....	i
WARRANTY.....	i
TRADEMARKS.....	i
OVERVIEW.....	5
Features and Benefits.....	6
INSTALLATION For DPOE24U1X, DPOE24U1XY, DPOE12U1X and DPOE12U1XY (For DPOE24S1X and DPOE24S1XY see Appendix 1).....	8
Package Contents.....	8
Panel Mounting Procedure.....	10
Rack Mounting Instructions.....	10
Grounding Requirements.....	11
Network Connection.....	11
Connecting the Powered Devices.....	11
Power Requirements.....	13
Powering Up the DPoE™ Power Patch Panel.....	14
Basic Troubleshooting.....	15
OPERATION.....	17
LED Indicators.....	17
ELEMENT MANAGER SOFTWARE.....	19
Hardware and Software Requirements.....	19
Installing the Element Manager Software.....	20
Connecting the EM Host Computer to the DPoE™ Power Patch Panel.....	21
Element Manager Operation.....	22
Graphical User Interface.....	23
Additions or Changes to UserName/Password.....	24
Panel Discovery.....	26
Subnetwork Search.....	27
IP Range Search.....	28
Provisioning the Panel.....	29
Administering Port and Panel-level Information.....	33
Edit Panel Information.....	33
– Panel IP Address.....	34
– Panel Attributes.....	34
– SNMP Settings.....	35
– Trap Settings.....	35
Copy/Paste/Delete Panel Information.....	36
Export Panel Information.....	36
View Port Information.....	37
– Edit Port Information.....	38
Export Log.....	40
View Entire Log.....	41
– Filter Log Messages.....	42
– Export Log.....	42
– Clear Log.....	43

Refresh the Network.....	43
Administering E-mail Settings.....	43
Search for Specific Panel(s) or Port(s).....	45
EM Log Messages.....	47
Miscellaneous Settings.....	48
DPoE™ Power Patch Panel Firmware Update.....	49
Detailed Description of the Firmware Update.....	50
Exiting the PANDUIT® Element Manager.....	52
APPENDIX 1 – DPOE24S1X AND DPOE24S1XY INSTALLATION.....	53
Package Contents.....	53
Panel Mounting Procedure.....	55
Rack Mounting Instructions.....	55
Networking The Panels (Optional).....	58
Power Requirements.....	59
Powering Up the DPoE™ Power Patch Panel.....	61
TECHNICAL SPECIFICATIONS.....	62
GLOSSARY.....	63

Figures

Figure 1: DPoE™ Power Patch Panel (Front View).....	5
Figure 2: DPoE™ Power Patch Panel (Rear View).....	6
Figure 3: System-Level Opening Screen.....	23
Figure 4: View Panel Screen.....	33
Figure 5: Edit Panel Screen.....	34
Figure 6: View All Ports Screen.....	38
Figure 7: View Individual Port Screen.....	39
Figure 8: View Message Log Screen.....	41

List of Tables

Table 1: Power Supplies Available from PANDUIT Corp.....	8
Table 2: Package Contents.....	8
Table 3: PANDUIT Corporation Contact Information.....	9
Table 4: Color-Coded Wire Positions for 802.3af-2003 Compliant Devices.....	12
Table 5: Color-Coded Wire Positions for Alternate PoE Devices.....	12
Table 6: DPoE™ Power Patch Panel Power Up Sequence.....	15
Table 7: Basic Troubleshooting Guide.....	16
Table 8: Panel Status LED Indications.....	17
Table 9: Port Status LED Indications.....	17
Table 10: Network Status LED Indications.....	18
Table 11: PC Minimum Requirements for EM.....	19
Table 12: EM Log Messages.....	47
Table 12A: DPoE™ Power Patch Panel Firmware Update LED Status.....	51
Table 13: Power Supplies Available from PANDUIT Corp.....	53

Table 14: Package Contents	53
Table 15: PANDUIT Corp Contact Information.....	54
Table 16: Color-Coded Wire Positions for 802.3af-2003 Compliant Devices	57
Table 17: Color-Coded Wire Positions for Alternate PoE Devices	57
Table 18: DPoE™ Power Patch Panel Power Up Sequence	61

OVERVIEW

The DPoE™ Power Patch Panel provides a reliable and cost-effective solution for Power over Ethernet (PoE) applications, compliant with the IEEE 802.3af-2003 specifications. Each DPoE™ Power Patch Panel allows centralized powering of up to 24 devices, such as Internet Protocol-based (IP) telephones, Network Security Cameras, or Wireless Devices, over the same cabling used to provide the Ethernet connectivity. By eliminating separate power connections to each of the devices, the DPoE™ Power Patch Panel provides a more cost-effective solution, particularly in cases where the devices are numerous or local powering is impractical.

The DPoE™ Power Patch Panel can be used in place of current patch panels to inject PoE power into an existing infrastructure without the need for separate non-powered patch panels (i.e., hub architectures), which decrease reliability while increasing cost and wiring complexity.

While the DPoE™ Power Patch Panel may be used as a standalone device, it can be configured and monitored from a centralized PANDUIT® Element Manager (EM). This management system allows network operators to remotely perform routine maintenance and monitoring of any DPoE™ Power Patch Panels in their network. The EM allows operators to graphically view and monitor power panel status, fault conditions and per-port power consumption. In addition, the EM allows the operator to designate power priority to individual ports within each DPoE™ Power Patch Panel. A higher-level Network Management System (NMS) might then use this pre-configured information to guarantee mission-critical devices remain operational in the event of low-power conditions.

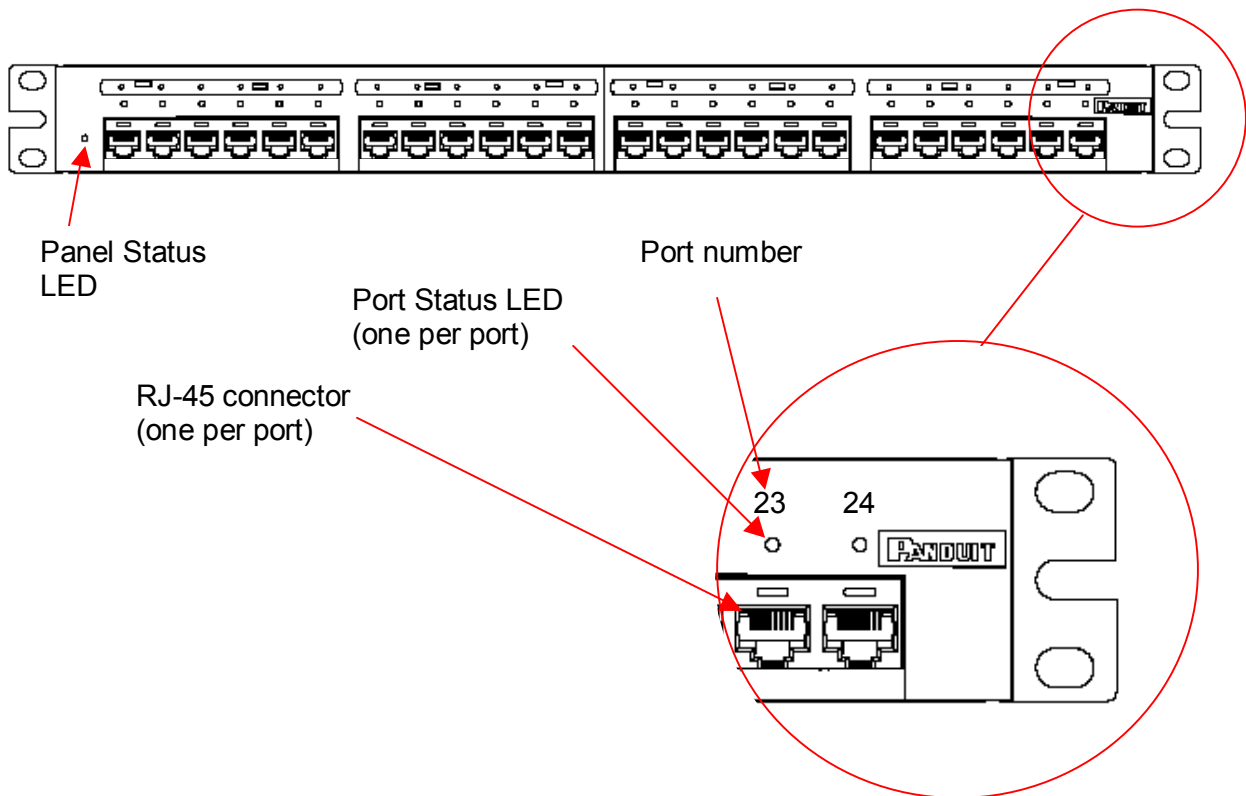


Figure 1: DPoE™ Power Patch Panel (Front View)

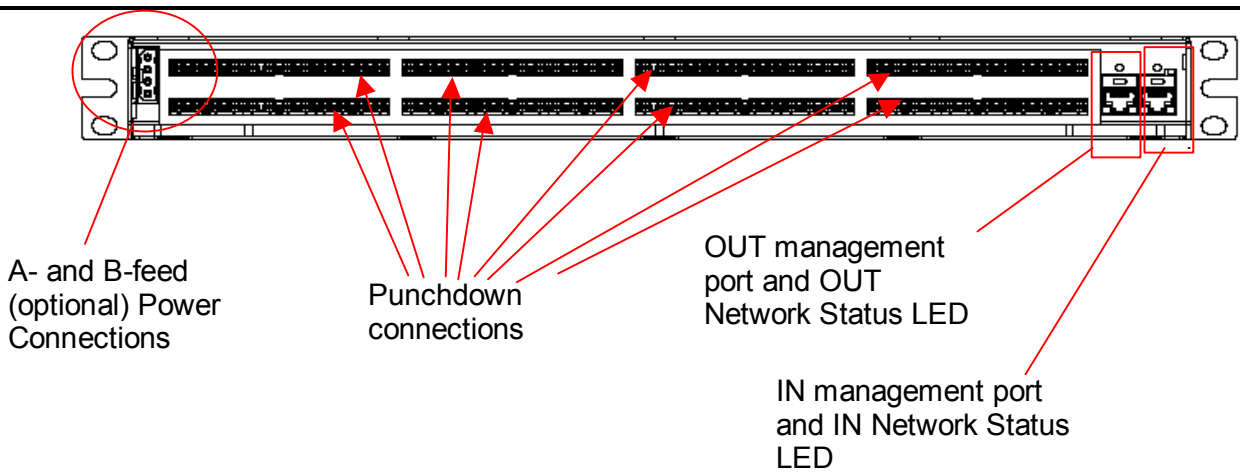


Figure 2: DPoE™ Power Patch Panel (Rear View)

Features and Benefits

The following table highlights some of the capabilities of the DPoE™ Power Patch Panel along with the tangible benefit to the network operator.

DPoE™ Power Patch Panel Feature	Benefit
Powers up to 24 devices from a centralized location	By using PoE, a network operator can more cost-effectively power Ethernet devices up to 100 m (328 ft.) from the PANDUIT® DPoE™ Power Patch Panel. Powering from a centralized location eliminates the need to power each device separately, eliminates the need for separate Uninterruptible Power Supply (UPS) for critical devices, and allows centralized power management by the network operator.
Combining PoE Power with patch panel functionality	Other vendors use a separate “Power Hub” architecture, which doesn’t replace the need for additional non-powered patch panels. PANDUIT® DPoE™ Power Patch Panel combines these two functions into a 1 RU-high package. This reduces needed rack space by at least 50% while providing easier installation without the need for patch cords between the Power Hub and a non-powered patch panel.

DPoE™ Power Patch Panel Feature	Benefit
IEEE 802.3af-2003 Compliant	<p>Many currently available in-line PoE powering options are not standards-based, thus requiring coordination between each device's power needs and the technical capabilities of the in-line powering unit.</p> <p>Any port on the <i>PANDUIT® DPoE™</i> Power Patch Panel can support the 802.3af-2003 standard or the legacy Cisco powering scheme.</p>
Full power to all ports	<p>With all ports on the panel capable of delivering full PoE power, there's no need to load balance across panels, design special wiring schemes or leave ports unused in the panel.</p>
Increased System Reliability	<p>The <i>PANDUIT® DPoE™</i> Power Patch Panel does not use an internal fan. Fans reduce the system reliability. In addition, the eliminated need for separate "midspan" patch panels increases the network availability.</p>
Simultaneous support for the Cisco powering scheme along with the 802.3af-2003 standard	<p>By supporting both methods on each port, the <i>DPoE™</i> Power Patch Panel provides ultimate flexibility without the need for separate panels for each powering scheme and without the need to install separate power modules. In addition, devices that don't require PoE powering may also be mixed in the same panel.</p>
Power Prioritization	<p>In the event of low-power conditions, a NMS, working in conjunction with the <i>DPoE™</i> Power Patch Panels, can use the pre-established port priorities to ensure mission-critical ports on the network of panels continue to receive PoE power as long as possible.</p>
Easier Local Management	<p>Multi-colored LEDs on the <i>DPoE™</i> Power Patch Panel allow technicians to instantly know the status of each port. Additional LEDs reflect management and panel status. Identification labels on the front and rear of the system allow the technician to note the panel number, the port number and wiring scheme information for both the Ethernet and PoE sides of the panel.</p>
Easier Remote Management	<p>The optional EM allows network operators to easily view and manage a network of <i>DPoE™</i> Power Patch Panels using industry-standard Simplified Network Management Protocol (SNMP).</p>

DPoE™ Power Patch Panel Feature	Benefit
Easier Installation	By eliminating the need for separate midspan patch panels and the associated need for patch cord, in a network-ready 1RU high package, The DPoE™ Power Patch Panel is fast and easy to install.

INSTALLATION For DPOE24U1X, DPOE24U1XY, DPOE12U1X and DPOE12U1XY (For DPOE24S1X and DPOE24S1XY see Appendix 1)

The PANDUIT® DPoE™ Power Patch Panel requires a direct connection to a nominal 48VDC supply. An individual power supply may be purchased separately from PANDUIT Corp or other vendors. Installation instructions for the individual power supply are included with that product. PANDUIT Corp provides multiple individual power supply options as listed below.

Table 1: Power Supplies Available from PANDUIT Corp.

<i>PANDUIT</i> Part Number	Description
DPOEPWRB120	120 watt power brick - 48 volt output
DPOEPWRCU	Unmanaged power chassis - supports 3 rectifiers and optional Network Interface Card (NIC)
DPOEPWRR500	500 watt rectifier for use in the DPOEPWRCU chassis
DPOEPWRR1250	1250 watt rectifier for use in the DPOEPWRCU chassis
CORD-A	Power cord for Australia
CORD-E	Power cord for Europe
CORD-S	Power cord for USA
CORD-U	Power cord for the U.K.

Package Contents

Each PANDUIT® DPoE™ Power Patch Panel is shipped in a box, which includes the following:

Table 2: Package Contents

Item	Quantity	Notes
DPoE™ Power Patch Panel	1	DPOE24U1X, DPOE24U1XY, DPOE12U1X or DPOE12U1XY
Wiring Template Label	1	For use on the rear panel of the DPoE™ Power Patch Panel – Supports either EIA/TIA 568A or 568B wire positions.

Item	Quantity	Notes
Quick Installation Instructions	1	PANDUIT Part Number PN370
DPOE™ Installation Worksheet	1	PANDUIT Part Number PN377
Metric and English screws	12	Installation requires six screws. One bag of six metric screws (M6x1.0x16) and one bag of six English screws (12-24x1/2") are included.
8 inch grounding strap	1	
DPoE™ Power Patch Panel Support Tools CD-ROM containing: <ul style="list-style-type: none"> - PANDUIT® Element Manager (EM) software. - DPoE™ Power Patch Panel Users Guide (this document) - Release Notes - Application Notes - Installation Guides 	1	
Power connector housing with wire leads	1	This wiring harness is used to connect the DPoE™ Power Patch Panel to the 48VDC power supply. Not used if the panel is powered by the PANDUIT Power Brick (PANDUIT Part Number DPOEPWRB120 or DPOEPWRB120Y.)
10 Foot Power Harness	1	Used to connect the –48V A-feed to a power supply.
Butt splices	2	Two butt splices may be used to extend the 10 Foot Power Harness. (Do not exceed a total length of 35 feet).

Verify the above contents arrived in good condition. If not, contact PANDUIT Technical Support.

Table 3: PANDUIT Corporation Contact Information

PANDUIT Technical Support	Fax: 1-708-444-6993 E-mail: cs@panduit.com
For Installation Instructions in Local Languages and Technical Support	www.panduit.com/resources/install_maintain.asp
Worldwide Subsidiaries and Sales Offices	www.panduit.com
Latest Software Updates	www.panduit.com/managednetworksolutions

IMPORTANT:	The <i>DPoE™</i> Installation Worksheet should be used to record pertinent information when installing <i>DPoE™</i> Power Patch Panel(s), particularly if the EM is monitoring the network. (See page 29, <i>Provisioning the Panel</i> , for more information on how this information will be entered in the EM.) The installer should complete this worksheet.
-------------------	------------------------------------------------------------------------------------------------------------------------------------------------------------------------------------------------------------------------------------------------------------------------------------------------------------------------------------------------------------------

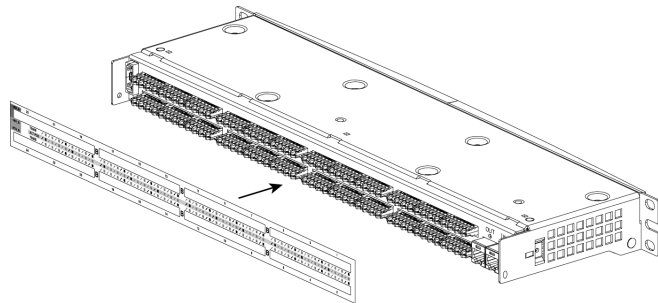
Panel Mounting Procedure

WARNING:	Only trained and qualified service personnel should install or service <i>DPoE™</i> Power Patch Panels
-----------------	--------------------------------------------------------------------------------------------------------

WARNING:	Before installing or servicing <i>DPoE™</i> Power Patch Panels or communication wiring, be aware of the hazards with the associated electrical circuitry.
-----------------	-----------------------------------------------------------------------------------------------------------------------------------------------------------

Rack Mounting Instructions

- Record the MAC address, printed on a sticker on the back of the unit, by writing it in the space provided on the included Installation Worksheet (*PANDUIT* part number PN377).
- Slip the Wiring Template Label over the rows of connectors on the back of the *DPoE™* Power Patch Panel, making sure the proper wiring code is facing out and that the writing is not upside down. One side of the label indicates EIA/TIA 568A wiring, while the other side is EIA/TIA 568B wiring.
- Using a screw from the US standard thread screw set denoted by "01881-38 REV 2," attach the green and yellow striped grounding strap to the panel via the **unthreaded hole nearest the power connector**. Next, install the panel onto a grounded rack using the appropriate screw set provided to ensure proper grounding between the panel and the rack. Finally, attach the loose end of the grounding strap to the rack within the same position as the panel.



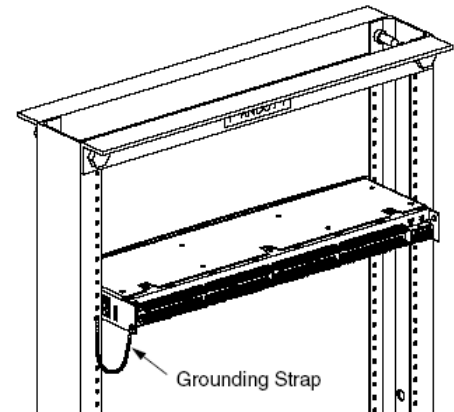
PANDUIT Structured Ground Kits for Data Center Rack Grounding can be used to properly ground *PANDUIT®* NetRack Rack Systems and racks from most other manufacturers.

- Using four of the enclosed metric or English screws, as appropriate, install the *DPoE™* Power Patch Panel into the 19" rack at the planned rack position.

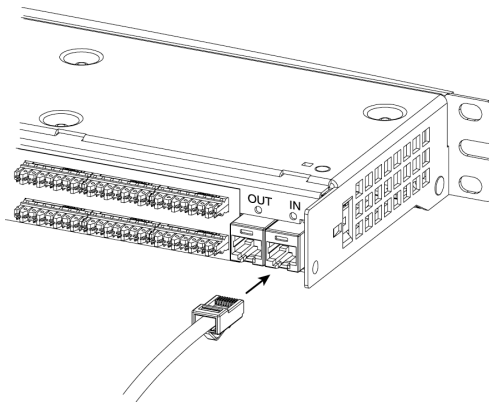
WARNING:	The supplied screws are part of a grounding system to ensure that the <i>DPoE™</i> Power Patch Panel is properly grounded to the rack. USE ONLY THE SUPPLIED SCREWS TO ATTACH THE PANEL TO THE RACK.
-----------------	--------------------------------------------------------------------------------------------------------------------------------------------------------------------------------------------------------------------

Record the rack space position on the Installation Worksheet.

Grounding Requirements

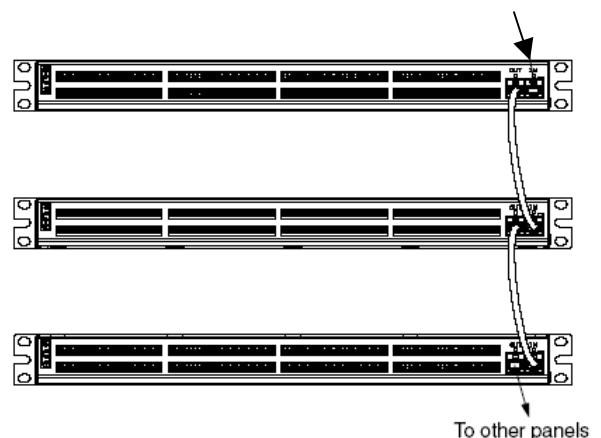


Network Connection



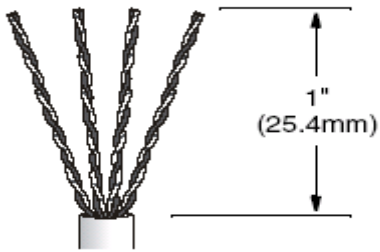
5. If the Element Manager is not being used to remotely manage the network of DPoE™ Power Patch Panels, skip to *Connecting the Powered Devices* below. Otherwise, using a standard patch cord (for example, PANDUIT part number UTPCH3 or UTPSP3), connect the IN management port on the back of the panel to an Ethernet switch. A DHCP Server must be on this network (unless the DPoE™ Power Patch Panel has been configured for Static IP operation). The panel may also be directly connect to a PC with the PANDUIT Element Manager installed, but this PC must be setup as a DHCP Server.”

6. If multiple panels are being used in the network, the OUT management port from one panel may be connected to the IN management port on the next panel in a daisy chain fashion, as shown. Once all of the connections are made, the EM or another Network Manager will be able to communicate with all the panels over this daisy chain of connections. (See page 29, *Provisioning the Panel*, for more information.)



Connecting the Powered Devices

7. Remove 1 inch (25.4 mm) of cable jacket being careful not to damage the conductors.



8. Fan out all four twisted pairs in the specified wiring sequence (see color-coded wiring positions in *Table 4: Color-Coded Wire Positions for 802.3af-2003 Compliant Devices* and *Table 5: Color-Coded Wire Positions for Alternate PoE Devices* below). The colors are also displayed on the Wiring Template Label, already installed on the back of the DPoE™ Power Patch Panel.

NOTE: The DPoE™ Power Patch Panel can terminate most 22-24 AWG solid or stranded IWC wire with a .050" (1.27mm) max o.d. either PVC or Plenum rated.

The DPoE™ Power Patch panel supports standard IEEE 802.3af-2003 devices as well as alternate PoE devices consistent with the Cisco legacy devices.

Table 4: Color-Coded Wire Positions for 802.3af-2003 Compliant Devices

Pin Outs	EIA/TIA 568A
5	WHITE/BLUE
4	BLUE
1	WHITE/GREEN
2	GREEN
3	WHITE/ORANGE
6	ORANGE
7	WHITE/BROWN
8	BROWN

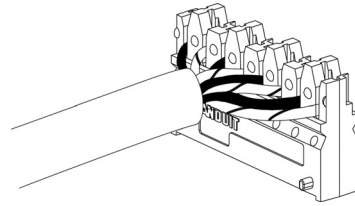
Pin Outs	EIA/TIA 568B
5	WHITE/BLUE
4	BLUE
1	WHITE/ORANGE
2	ORANGE
3	WHITE/GREEN
6	GREEN
7	WHITE/BROWN
8	BROWN

Table 5: Color-Coded Wire Positions for Alternate PoE Devices

Pin Outs	EIA/TIA 568A
5	WHITE/BROWN
4	BROWN
1	WHITE/GREEN
2	GREEN
3	WHITE/ORANGE
6	ORANGE
7	WHITE/BLUE
8	BLUE

Pin Outs	EIA/TIA 568B
5	WHITE/BROWN
4	BROWN
1	WHITE/ORANGE
2	ORANGE
3	WHITE/GREEN
6	GREEN
7	WHITE/BLUE
8	BLUE

9. Lay conductors into the punchdown slots for the specified port using the correct wiring sequence. Cable jacket removal should be minimized to the extent possible. Conductor untwist should be within ½" (12.7 mm) of termination.



WARNING:	NEVER TOUCH UNINSULATED COMMUNICATIONS WIRING OR TERMINALS UNLESS THE COMMUNICATION LINE HAS BEEN DISCONNECTED AT THE NETWORK INTERFACE.
-----------------	------------------------------------------------------------------------------------------------------------------------------------------

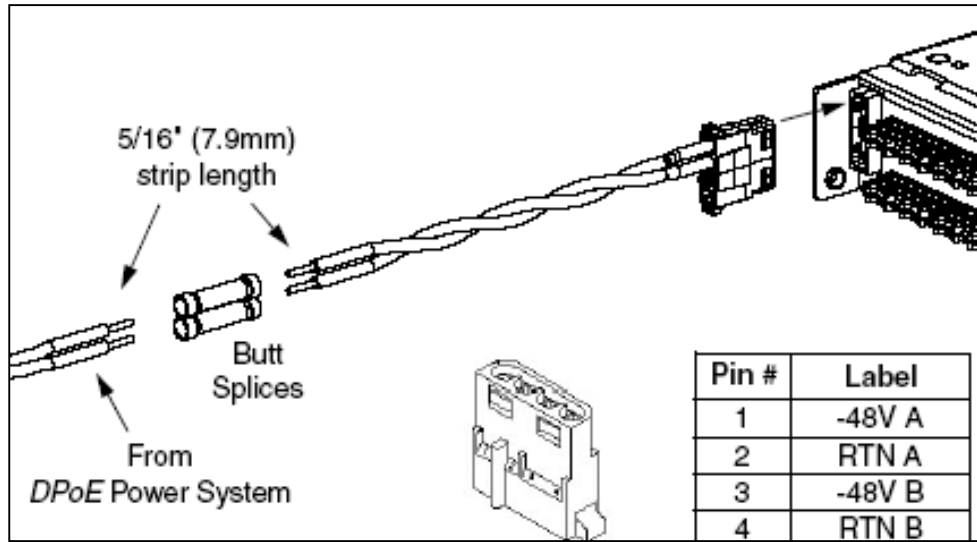
NOTE:	Never install wiring in a slot previously used for a larger gauge wire.
--------------	-------------------------------------------------------------------------

10. Using the punchdown tool (*PANDUIT* part number PDT110), punch down the connector into the punchdown slots on the back of the *DPoE™* Power Patch Panel.



Power Requirements

11. If the panel is being powered by a *PANDUIT® DPoE™* Power Brick (See page 8, *Table 1: Power Supplies Available from PANDUIT Corp* for a list of available powering options), skip to *Powering Up the DPoE™ Power Patch Panel* Section below, since the brick is equipped with a matched keyed power connector that will fit the power connector on the back of the panel.
12. If the *PANDUIT® DPoE™* Power Chassis or a direct 48VDC source is powering the panel, cut the 10-foot power harness to length then strip the ends of the leads to 5/16" (7.9 mm). Connect the stripped ends of the power harness into the *PANDUIT® DPoE™* Power Chassis. If the power harness is not long enough or the 48VDC source requires a specific connector, strip the ends of the wire to the same strip length, being careful not to damage the conductors.
13. Using the two butt splices provided with the panel, and paying attention to the polarity of the supply voltage, crimp the power harness wires to the supply wires. A crimping tool, such as the *PANDUIT* part number CT-100, may be used. The provided butt splices (*PANDUIT* part number BSV14X) support 14-16 AWG solid or stranded wire.



WARNING: The power supply connections are polarized.
The DPoE™ Power Panel will not function if power is wired improperly.
For Maximum power the overall length of the wire between the power supply and the DPoE™ Power Panel must not exceed 35 feet.

NOTE: The included power harness has two wires for the A-feed power only (pins 1 & 2). The DPoE™ Power Patch Panel supports an optional redundant B-feed power option, but the terminals and wire leads are not attached to the power harness.
Contact PANDUIT Technical Support for more information about connecting the redundant B-Feed Power.

- Lightly tug on the butt spliced connections to verify that the butt splices are secure.

Powering Up the DPoE™ Power Patch Panel

- Plug the connector into the back of the DPoE™ Patch Panel.
- Once power is applied to the unit, the DPoE™ Power Patch Panel will go through its power up sequence. The following table describes the behavior of the unit as viewed from the front and the back.

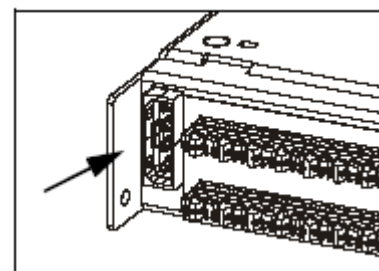


Table 6: DPoE™ Power Patch Panel Power Up Sequence

Behavior as viewed from the back of the unit	Behavior as viewed from the front of the unit
Both network status LEDs will light amber for two seconds	The panel status Light-Emitting Diode (LED) will light red for about 10 seconds. After that, a LED test sequence of the port status LEDs will take place, lighting each port status LED amber. It will appear as if the port status LED is “walking” from port 1 through port 24.
If there is no cable connected to the IN management port (Step 5 above), both network status LEDs will turn off.	If the Patch Panel is configured for Dynamic Host Control Protocol (DHCP) address assignment (default configuration) and a cable is NOT connected to the IN management port on the rear of the panel, the panel status LED will turn green.
If the DPoE™ Power Patch Panel is configured for DHCP address assignment (default factory setting), the network status LED above the IN management port will stay amber and the network status LED above the OUT management port will turn off. This indicates that the panel is actively requesting address information from the network. Once this information is received (this could take up to a minute), the network status LED above the IN management port will turn on or start flashing green as data is transmitted and received.	If the DPoE™ Power Patch Panel is configured for DHCP address assignment (default factory setting), the panel status LED will flash amber. This indicates that the panel is actively requesting address information from the network. Once this information is received (this could take up to a minute), the panel status LED will flash green. (See page 5, <i>Figure 1: DPoE™ Power Patch Panel (Front View)</i> and page 6, <i>Figure 2: DPoE™ Power Patch Panel (Rear View)</i> for a graphical view of the LEDs on the DPoE™ Power Patch Panel.)
If the panel were set to static IP addressing rather than DHCP, the network status LED above the IN management port will immediately turn green.	If the panel were set to static IP addressing rather than DHCP, the panel status LED will flash green and continue flashing as long as power is applied to the unit.

Basic Troubleshooting

Use the following guide to help resolve problems installing the DPoE™ Power Patch Panel. If the problem persists, contact PANDUIT Corp Technical Support or a local sales representative. (See page 9, *Table 3: PANDUIT Corporation Contact Information*, for contact information.)

Table 7: Basic Troubleshooting Guide

Problem	Possible Causes and Solutions
The panel status LED does not light when power is applied to the unit.	<ol style="list-style-type: none"> 1. The power supply fuse may be blown. Check the fuse on the DPoE™ Power Patch Panel power supply. 2. The power connection may be bad. Check the physical connection and make sure the voltage polarity is proper. 3. No power is available at the panel. Make sure the power supply is plugged in and operational. 4. The keyed power connector is not seated properly. Reseat the power connector.
The patch panel status LED is flashing green but no power is being applied to the connected powered device(s). The port status LED over the port(s) where power should be provided is off.	<ol style="list-style-type: none"> 1. The device is not connected properly to the DPoE™ Power Patch Panel. Make sure that the cable to the connected devices is properly terminated on the panel for the type of power needed (IEEE 802.3af-2003 or Alternate PoE)¹. 2. The cable is not punched down securely. Re-punch the 110 connections. 3. The attached power device is not 802.3af-2003 compliant or legacy Cisco compliant. Make sure that the attached device meets either of these standards. Also try to connect the device to another port to see if it powers on. 4. The port Administration Control setting is set to OFF in the EM. The Element Manager must be used to set the port Administration Control to ON. (See page 38, <i>Edit Port Information</i>, for more information.)
The panel status LED stays solid red after power is connected and over 20 seconds has elapsed.	<ol style="list-style-type: none"> 1. The power supply voltage is either less than 46 volts or greater than 57 volts. The panel should be immediately disconnected from power and the input power should be corrected.
The DPoE™ Power Patch Panel is providing power to the end device, but there is no data connection (i.e., the Ethernet connection is not working).	<ol style="list-style-type: none"> 1. The switch is not properly connected to the RJ-45 jacks on the front of the panel or the switch. Check for proper connections and establish the connections or reseat these if required. 2. The switch port may not be active. Check with the local IT person to see if this is the case and correct it. 3. The data pairs (1,2 and 3,6) are not properly terminated on the rear of the DPoE™ Power Patch Panel. Re-punch the port(s) and test the connection again.

¹ If a port is wired as Alternate POE, both IEEE 802.3af-2003 Powered Devices as well as legacy Cisco Powered Devices will be detected and get powered up. If a port is wired as POE, only the IEEE 802.3af-2003 Powered Devices will be detected and get powered up.

OPERATION

LED Indicators

The DPoE™ Power Patch Panel displays system and port status through the use of LEDs on the front and rear of each panel. There is one panel status LED on the front left of the panel, 24 individual port status LEDs above each port, and two network status LEDs on the rear of the unit. These LEDs enable the technician to see at a glance if either the ports or the panel itself is in alarm. (See page 5, *Figure 1: DPoE™ Power Patch Panel (Front View)* and page 6, *Figure 2: DPoE™ Power Patch Panel (Rear View)* for a graphical view of the LEDs on the DPoE™ Power Patch Panel.)

The following tables do not include the LED status during powering up the unit. (See page 15, *Table 6: DPoE™ Power Patch Panel Power Up Sequence*, for more information on the LED indications during power up.

Table 8: Panel Status LED Indications

LED Color	Panel LED Status	Description	Status of Power Ports
Off	Off	No Power is being supplied to the panel.	Power is NOT being delivered to the ports on the panel.
Green	Flashing	System operating normally.	Power may be delivered down the ports on the panel, as configured.
Amber	Solid	Out of voltage range condition. Less than 46VDC or more than 57VDC is being supplied to the panel.	Power is NOT being delivered to any ports on the panel.
Red	Solid	The main processor on the panel is NOT operating properly and power is NOT being delivered to any ports on the panel.	Power may or may NOT be delivered to any ports on the panel, as configured.

Table 9: Port Status LED Indications

LED Color	Port LED Status	Description	Status of Power Ports
Off	Off	No Powered Device (PD) is connected to this particular port on the panel.	Power is NOT being delivered down this port on the panel.
Amber	Solid	The panel is determining the PD's power requirements. This occurs for 5 seconds after the PD is connected.	Power is NOT being delivered down this port on the panel.
Green	Solid	Port is providing power.	Power is being delivered down this port on the panel.

LED Color	Port LED Status	Description	Status of Power Ports
Red	Solid	<p>The system has failed to determine the PD power requirements for this port. Perhaps this PD is not an 802.3af-2003 compliant or Cisco legacy power device. It could also be a port configured for 802.3af-2003 and an alternate PoE device has been connected.</p> <p>Also, pins (4,5) & (7,8) of a connected non-powered device such as a PC may be terminated in such a way that the power patch panel attempts to detect it as a PD. The Element Manager may be used to turn detection off (see Element Manager section) to this port so no further checks occur. The LED will extinguish.</p> <p>This may also be an indication of a short in the wiring. The connections at both ends of the horizontal cabling should be checked to ensure proper wiring has been followed.</p>	Power is NOT being delivered down this port on the panel.

Table 10: Network Status LED Indications

LED Color	Network LED Status	Description	Notes
Off	Off	No connection to the management system.	If the system is otherwise operating normally and an Ethernet 10/100 cable is connected, this could be an issue with the panel's management interface.
Green	Flashing	The management link on the DPoE™ Power Patch Panel is configured correctly and communication messages are currently being processed.	Normal operation.
Green	Solid	The management link on the DPoE™ Power Patch Panel is configured correctly, but no communication messages are currently being processed (i.e., the link is idle).	Normal operation.
Amber	Solid	The panel is currently trying to acquire DHCP address information from the network.	If this persists for more than a minute or two, the daisy chain of connections between multiple panels may be incorrect or there are problems at the DHCP server.

ELEMENT MANAGER SOFTWARE

The optional *PANDUIT*® Element Manager is used to remotely control, configure and monitor the *DPoE*™ Power Patch Panels within the network. Once installed on a shared or dedicated Windows-based Personal Computer (PC), the EM can be used to manage an entire network of *DPoE*™ Power Patch Panels.

The *PANDUIT*® Element Manager is shipped on a CD-ROM included with the *DPoE*™ Power Patch Panel.

NOTE:	The <i>DPoE</i> ™ Power Patch Panel does not require the EM for the panel to operate correctly. An installed <i>DPoE</i> ™ Power Patch Panel will source PoE power without the EM. The EM provides an optional extra level of remote maintenance and monitoring for a network of panels.
--------------	------------------------------------------------------------------------------------------------------------------------------------------------------------------------------------------------------------------------------------------------------------------------------------------

Hardware and Software Requirements

Table 11: PC Minimum Requirements for EM

Hardware	Processor	PC with 90-megahertz (MHz) Pentium®-class processor or equivalent (See note below)
	RAM	128 MB of RAM, 256 MB recommended
	Hard Disk Space	45 MB of available hard disk space
	Network Access	10/100 Ethernet card
	CD-ROM Drive	
Software	Operating System	<u>Any</u> of the following: Windows® XP Professional (Service Pack 1 or later), Windows XP Home Edition (Service Pack 1 or later), Windows 2000 (Service Pack 4 for Windows 2000).
	Support Applications	1. Microsoft .NET Framework 1.1 Redistributable or later (See notes below) 2. Microsoft Data Access Component version 2.7 or later (See notes below)

	<p>Display Settings</p>	<p>For XP Professional or Home Edition: Settings: 1024x768 or larger Color Quality: Medium (16-bit) or higher Advanced: Normal Size Fonts (96dpi) REQUIRED Appearance: Font Size Normal REQUIRED For Windows 2000: 1024x768x32K colors Small Fonts REQUIRED (Normal 96dpi)</p>
--	-------------------------	--------------------------------------------------------------------------------------------------------------------------------------------------------------------------------------------------------------------------------------------------------------------------------------------------------------------------------------------------------------------------------------------------------------------------------------------------------

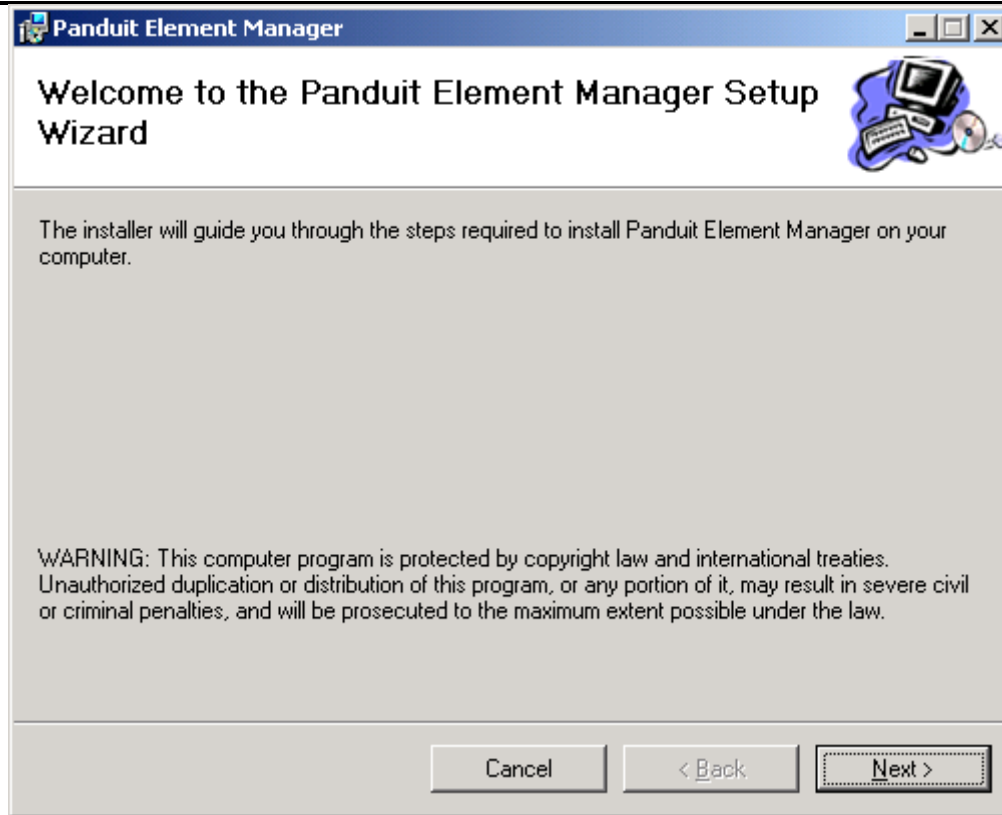
<p>NOTE:</p>	<p>If Microsoft .NET Framework version 1.1 or Microsoft Data Access Components is not currently installed on the PC, the user will be prompted to install these software packages first before installing the EM. The <i>PANDUIT</i>® Element Manager will not operate correctly without these two support applications being installed on the same PC.</p>
---------------------	-------------------------------------------------------------------------------------------------------------------------------------------------------------------------------------------------------------------------------------------------------------------------------------------------------------------------------------------------------------

<p>NOTE:</p>	<p>Microsoft .NET Framework cannot currently be installed on 64-bit computers.</p>
---------------------	------------------------------------------------------------------------------------

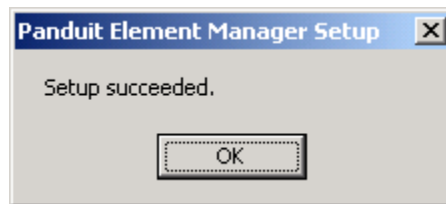
Installing the Element Manager Software

The *PANDUIT*® Element Manager is installed (or upgraded to a later version) by running the setup program on the *DPoE*™ Power Patch Panel Support Tools CD-ROM, included with the *DPoE*™ Power Patch Panel. Once the CD-ROM is placed in the personal computer's CD-ROM drive, the setup program will automatically run and will give the user the choice to install the EM software or choose from other selections. When selected, the installation software will first verify the necessary support software is available on the computer or will prompt the user to determine whether these packages should be installed along with the EM. (See page 19, Table 11: PC Minimum Requirements, for more information.)

Once all required support software is installed, the *PANDUIT*® Element Manager installation screen will be displayed (see below).



For security purposes, the network operator will then be given the opportunity to restrict the Element Manager to the **administrator** UserName only (default) or whether other users of this PC can access it. Once this selection is made, the installation process completes in only a few minutes.



Remove the CD-ROM from the CD-ROM drive and store it in a safe place.

NOTE:	The DPoE™ Power Patch Panel Support Tools CD-ROM also includes the option to uninstall the PANDUIT® Element Manager.
--------------	----------------------------------------------------------------------------------------------------------------------

NOTE:	Critical updates to the support programs may occasionally come from Microsoft Corporation. The Windows Update option from the PC's START Menu can be used to periodically check for such updates.
--------------	---------------------------------------------------------------------------------------------------------------------------------------------------------------------------------------------------

Connecting the EM Host Computer to the DPoE™ Power Patch Panel

The computer that hosts the EM can either be directly connected to the DPoE™ Power Patch Panel or connected through the Ethernet network. If the PC is directly connected to the DPoE™ Power Patch

Panel, the PC must either be setup as a DHCP Server or the panel but be setup for a static IP address. If the PC is connected to the DPoE™ Power Patch Panel through an Ethernet network, the network must have a DHCP Server on it or the panel must be setup for a static IP address. Once the PC is logically connected to the first DPoE™ Power Patch Panel, successive panels may be daisy chained to the previous panel by connecting the OUT management port on that panel to the IN port on the next panel. These connections are made via a RJ-45 standard patch cord. (See page 8, *INSTALLATION*, for more information on daisy chaining the panels together.)

NOTE:	There is no need to connect the OUT management port on the last DPoE™ Power Patch Panel in the daisy chain to anything.
--------------	-------------------------------------------------------------------------------------------------------------------------

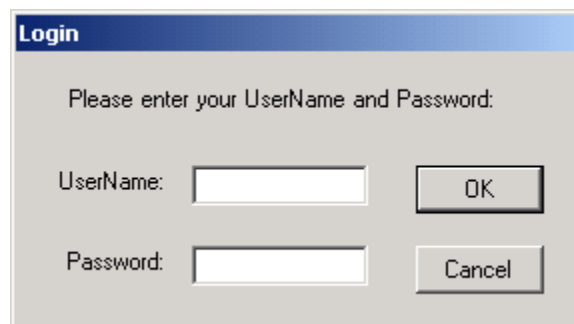
IMPORTANT:	<p>Directly connecting a PC to the panel will either require the PC to be setup as a DHCP Server or require the DPoE™ Power Patch Panel to be setup for static IP addressing. The panel factory default setting is DHCP addressing.</p> <p>If a panel is changed to static IP addressing, make sure the static IP address is recorded; no communication to the DPoE™ Power Patch Panel can be done without this address.</p> <p>Never connect a PC setup as a DHCP Server to an Ethernet network that already has a DHCP Server on it.</p>
-------------------	--------------------------------------------------------------------------------------------------------------------------------------------------------------------------------------------------------------------------------------------------------------------------------------------------------------------------------------------------------------------------------------------------------------------------------------------------------------------------------------------------------------------------------------------

Element Manager Operation

Once the EM is successfully installed, access the program using the shortcut installed on the desktop by the EM installation software. (The program is stored in the Panduit directory under the programs directory and can also be accessed through the START menu.)

After displaying the version number of the EM, the user is prompted for a UserName and password.

NOTE:	<p>When the management system is first installed, the default UserName is administrator with a password of Panduit (notice the capital "P").</p> <p>Passwords are case-sensitive.</p> <p>This default UserName and Password should be changed once the user is familiar with the EM software. (See page 24, <i>Additions or Changes to UserName/Password</i>, for more information.)</p>
--------------	--------------------------------------------------------------------------------------------------------------------------------------------------------------------------------------------------------------------------------------------------------------------------------------------------------------------------------------------------------------------------------------------------------



Some of the screen shots in this section may look different on the PC running the EM. The updated EM presents a slightly different look to the screen shots. In some cases, additional features have been added (refer to the same sections in the DPoE™ 8 Port Power Hub User's Guide for more details on the added features).

Graphical User Interface

The PANDUIT® Element Manager has an easy-to-use graphical user interface with pull-down menus and tool bars, which make configuring and provisioning the network easy. When the Element Manager software is opened, the following system-level opening screen appears.

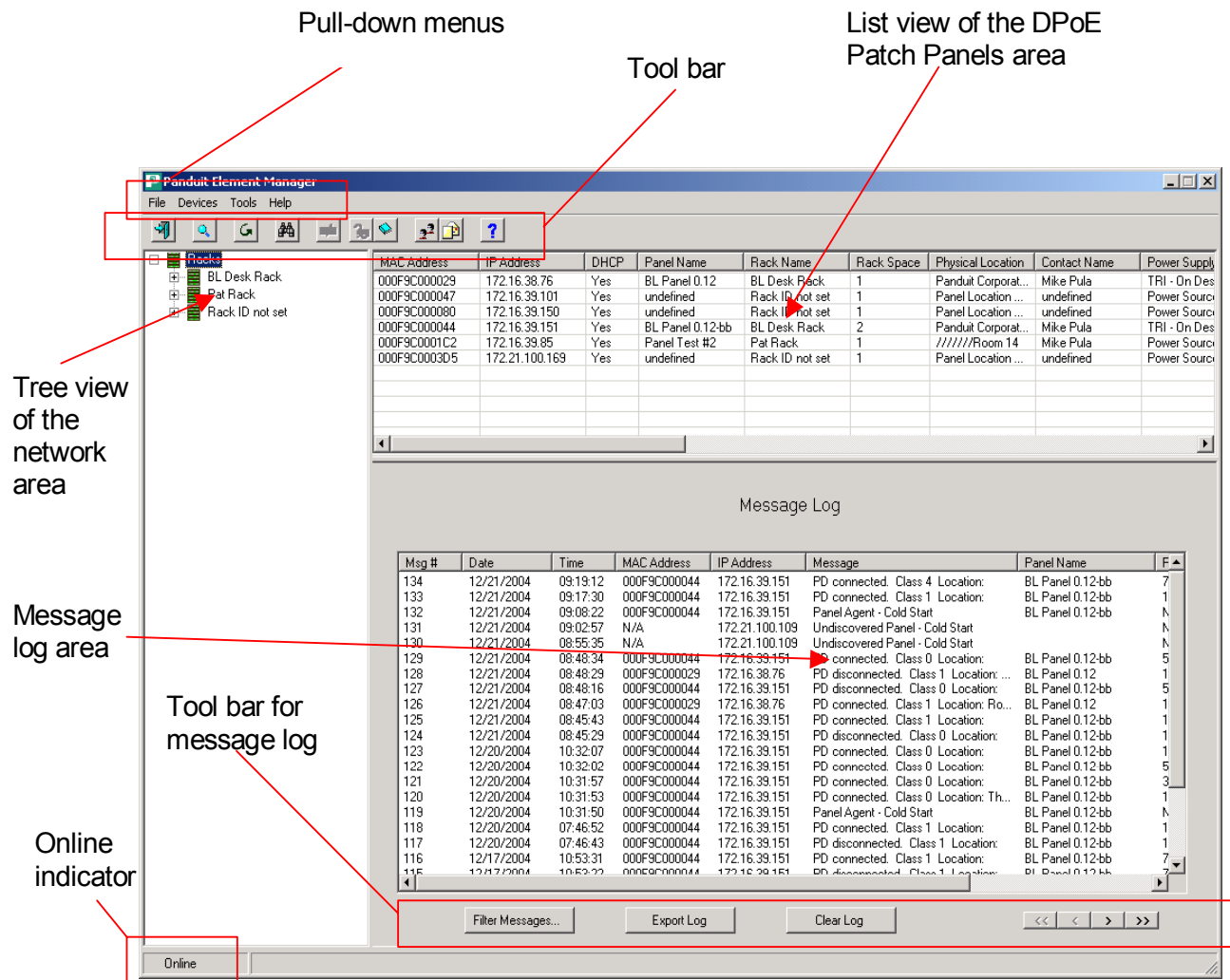


Figure 3: System-Level Opening Screen

The system-level opening screen is broken into three areas: the Tree View of the Network area, the List View of the DPoE™ Power Patch Panels and the Message Log area. By working in each of these three areas, the network operator can easily monitor the overall status of the DPoE™ Power Patch Panel network, the status of individual patch panels, or the status of individual ports on individual panels. Likewise, configuration changes can be made at the network, panel or port level.

The Tree View of the Network area provides a hierarchical display of each patch panel within the network using the configurable names assigned by the network operator. Multiple patch panels physically wired into a single rack are grouped on the screen under the configurable name of that rack. Using the computer mouse, the operator can select a specific rack, and the display will expand to show the individual panels within that rack.

When the operator selects an individual rack, the EM automatically displays the information for each DPoE™ Power Patch Panel within that rack in the List View area (top right). Likewise, all log messages relating to that rack are automatically displayed in the Message Log area (bottom right). These messages indicate any conditions with the rack itself, the DPoE™ Power Patch Panels on that rack or individual ports on individual panels within that rack.

If the operator selects an individual panel from the Tree View of the network area, a second screen, which overlays the Message Log and List View areas, allows the operator to configure and monitor a specific DPoE™ Power Patch Panel. (See page 33, *Figure 4: View Panel Screen*, for more information.)


In addition to the three areas on the system-level opening screen, the EM provides the following conveniences on this system-level opening screen.

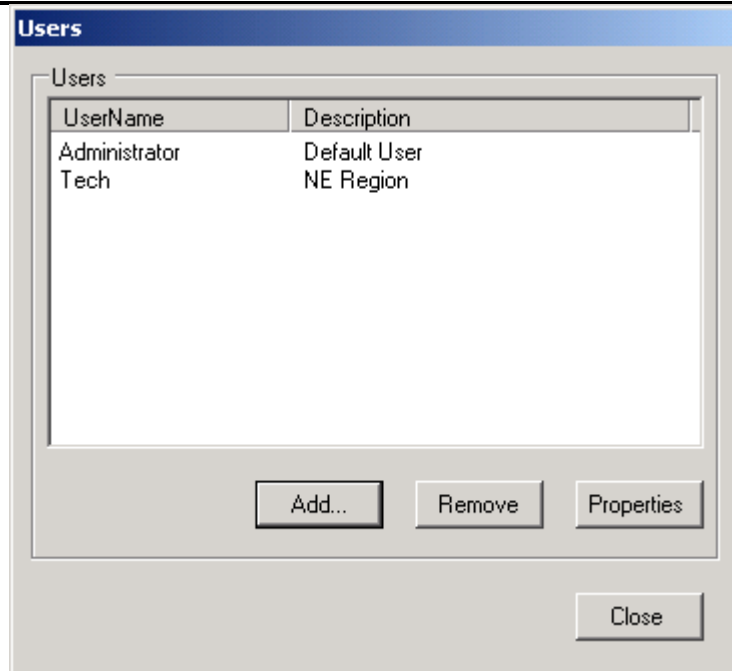
- ✓ Tool Bars – The most frequently performed actions are assigned buttons on the two tool bars to speed with assigning ports and panels, adding users to the management system, filtering incoming messages for trouble isolation etc.
- ✓ Pull-Down Menus – All functions available through the tool bars are also available through the pull-down menus, but, in addition, network-wide functions, such as copying panel information from an existing panel to a new panel is also available.
- ✓ Online Indicator – This real-time display indicates the communication status between the EM and the DPoE™ Power Patch Panels.

The following sections discuss the actions to perform various common tasks within the Element Manager.

Additions or Changes to UserName/Password

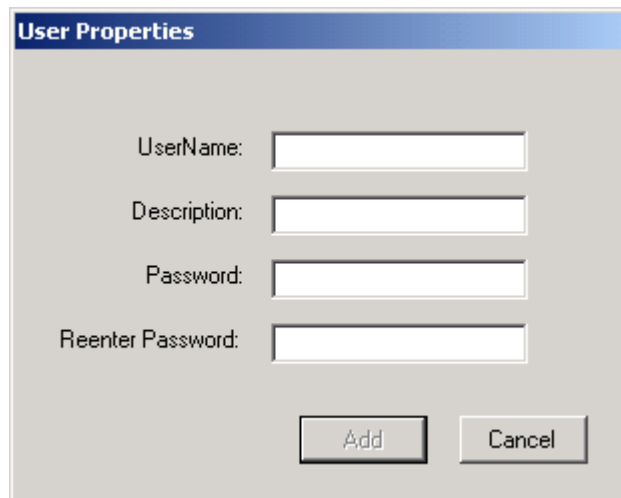
By adding additional UserNames to the EM, the network operator can allow access to the system by other users without the need for sharing a single UserName/Password among multiple users.

The Users option under the Tools pull-down menu provides an easy mechanism to add new or modify UserNames. There is also a button () on the top tool bar on the system-level opening screen to perform this task.



By clicking on the **Add** button, the network operator can create new UserNames and Passwords for use the system. A free-form Description field is also available.

Maintenance of UserNames is done by first clicking an existing Username, then clicking on either the **Remove** button to delete that Username or the **Properties** button to have the following screen appear.



After any changes are made, use the **Close** button to return to the system-level opening screen.


NOTE:	Passwords are case-sensitive. Users must enter the password exactly as the network operator assigned it.
--------------	----------------------------------------------------------------------------------------------------------

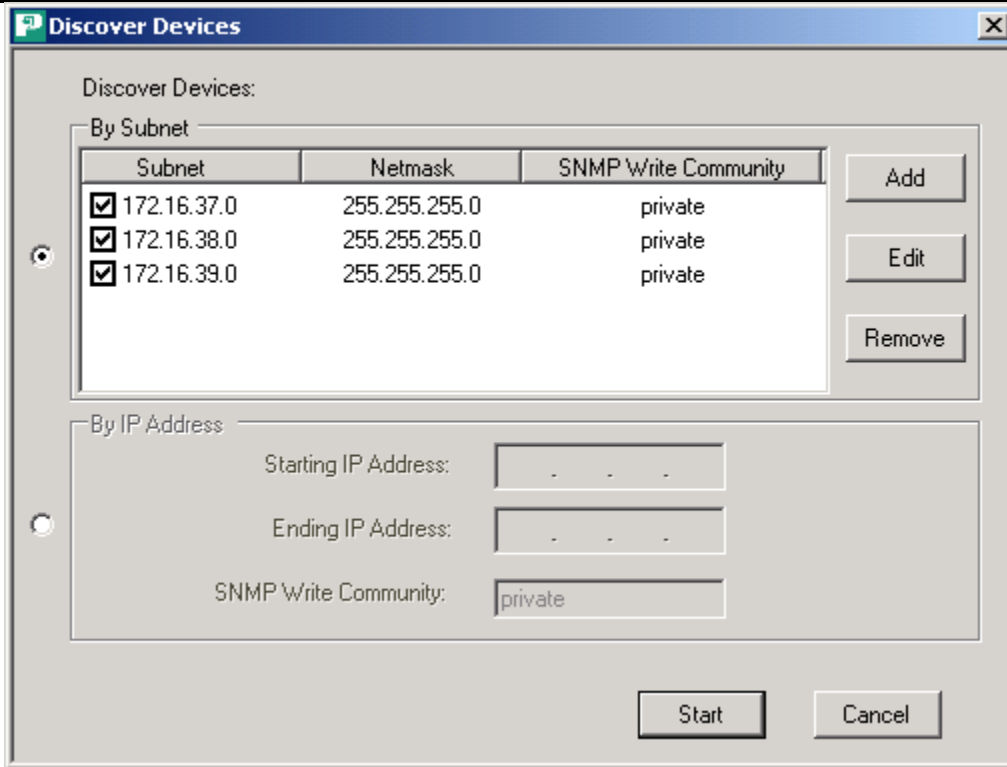
NOTE:	A user cannot delete a currently active UserName.
--------------	---------------------------------------------------

Panel Discovery

Once the EM is connected into the network, the Discover capability can be used to "find" the deployed DPoE™ Power Patch Panels. (See page 21, *Connecting the EM Host Computer to the DPoE™ Power Patch Panel*, for more information.) The EM initiates messages into the control network and requests responses from any panels that see this message.

NOTE:	<p>Unless the DPoE™ Power Patch Panel has been configured during installation using the EM, this Discover capability will only receive the configuration and existence of the DPoE™ Power Patch panels themselves. The network operator will still need to enter port and rack information, such as which racks the panels are wired into and where in each rack the panel is physically mounted. (This information can be collected by using the included <i>PANDUIT® DPoE™ Power Patch Panel Installation Worksheet</i> during installation.)</p> <p>When installing multiple panels simultaneously, it is very important to record the MAC address for each panel. Since multiple panels will return the same factory default settings to the Discover capability, the MAC address, which is written on a sticker on the back of each DPoE™ Power Patch Panel, is unique and will allow the network operator to distinguish one panel from another. (See page 8, <i>INSTALLATION</i>, for more information on installing the DPoE™ Power Patch Panels.)</p>
--------------	----------------------------------------------------------------------------------------------------------------------------------------------------------------------------------------------------------------------------------------------------------------------------------------------------------------------------------------------------------------------------------------------------------------------------------------------------------------------------------------------------------------------------------------------------------------------------------------------------------------------------------------------------------------------------------------------------------------------------------------------------------------------------------------------------------------------------------------------------------------------------------------------------------------------------------------------------------------------------------------------------------------------------------------------------------------

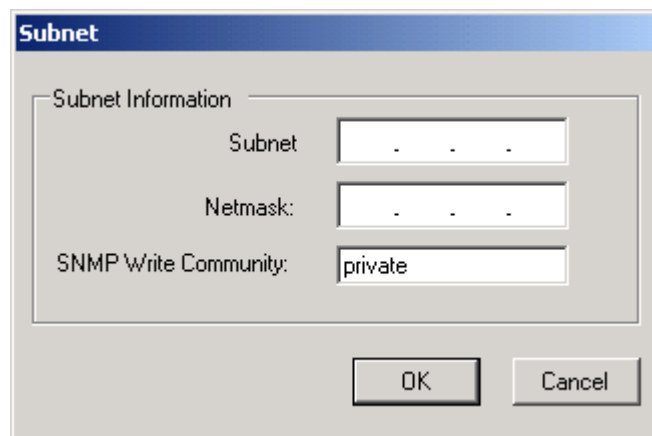
The Discover option under the Devices pull-down menu will perform this task or click the button () on the top tool bar on the system-level opening screen.



The network operator can set the Discover capability to search a specific subnetwork for panels or search across a range of IP addresses. The two leftmost buttons on this Discover Devices window are used to select which type of Discover to initiate. By selecting the top button, the top half of the screen is then used to request a subnetwork search.

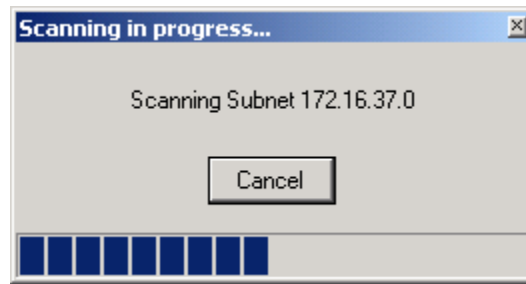
Subnetwork Search

After selecting a subnetwork option, the **Add**, **Edit**, and **Remove** buttons become active and give the network operator a chance to enter or modify the subnetwork information in the EM prior to starting the subnetwork search.



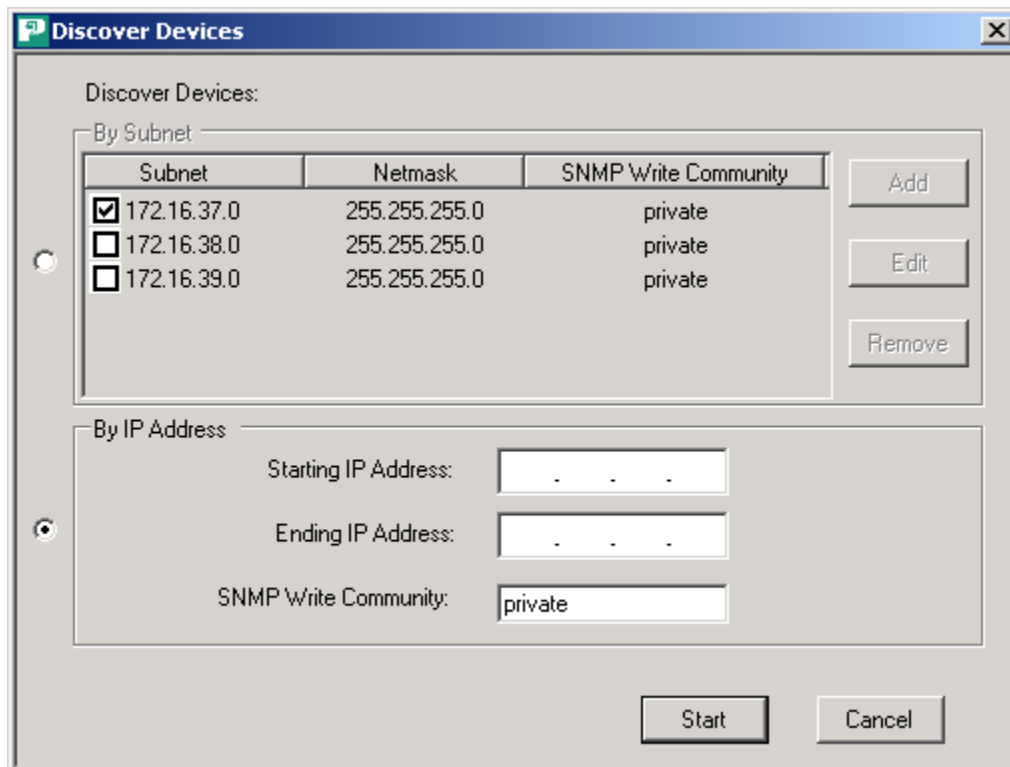
IMPORTANT:	<p>The SNMP Community fields are case-sensitive and allow SNMP messages to be exchanged between the EM and the DPoE™ Power Patch Panels.</p> <p>FOR SECURITY REASONS, THESE FIELDS SHOULD BE CHANGED FROM THEIR DEFAULTS.</p>
-------------------	--------------------------------------------------------------------------------------------------------------------------------------------------------------------------------------------------------------------------------------

Once any subnetwork changes are entered (if necessary), check () those subnetworks to be searched and click the **Start** button.

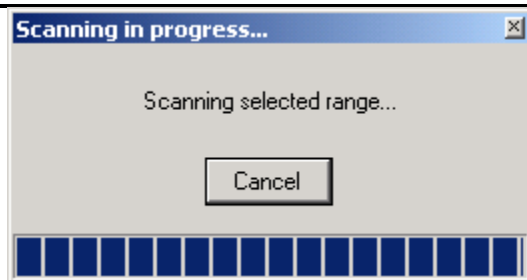


IP Range Search

By selecting the bottom button on the Discover Devices screen, the bottom half of the screen is then used to request a IP range search as part of the Discover Capability.



After entering the Starting IP Address, Ending IP Address, and SNMP Write Community, the **Start** button will initiate the Discover capability.



Whether a subnetwork search or an IP range search was conducted, the discovered DPoE™ Power Patch Panel information will be populated in the Element Manager.

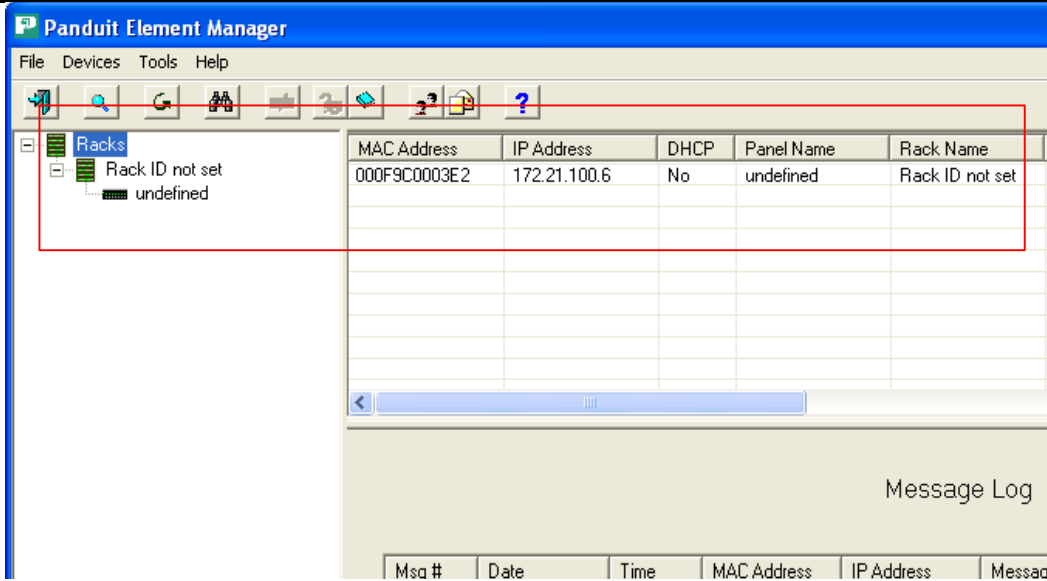
TIP: In addition to the Discover capability, the Element Manager also supports a Refresh capability, which collects the information stored in each Patch Panel and verifies it's consistent with the information in the EM. (See page 43, *Refresh the Network*, for more information.)

Provisioning the Panel

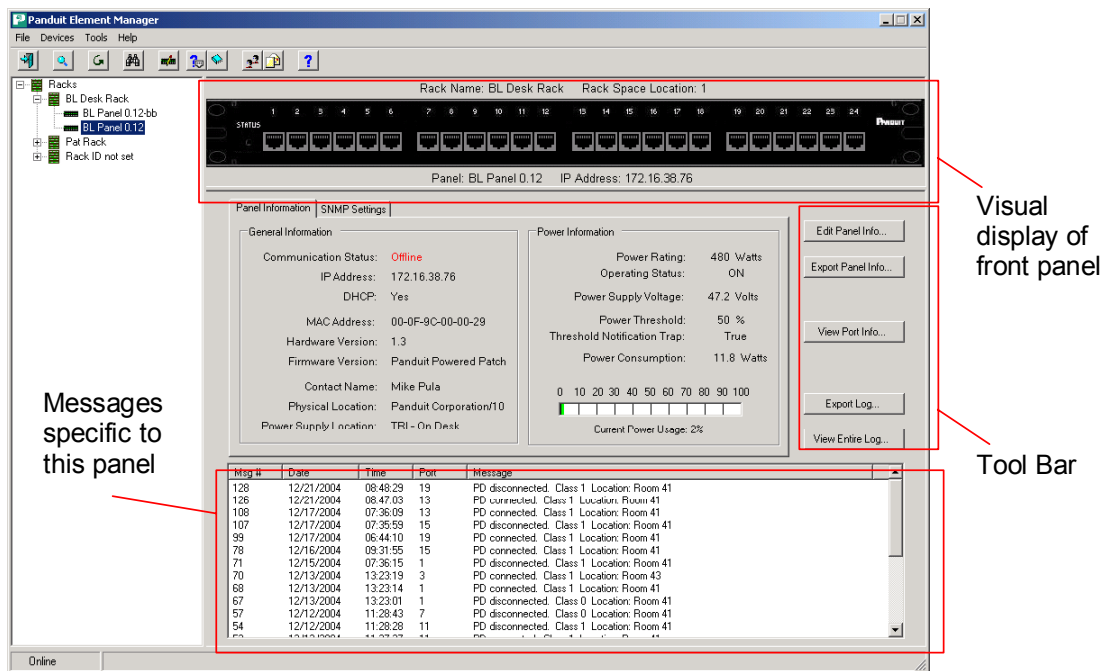
The Element Manager has the capability to discover all of the DPoE™ Power Patch Panels in the network and display them in a format where the panels are grouped by their host racks based on the information entered into the panels during the provisioning process. These are called the Panel Attributes.

Identifying each panel individually and entering these attributes are a key part of the provisioning activity that allows the Element Manager and other Network Management Systems to be used in an easy and effective manner. It is highly recommended that the following procedure be used to provision the panel properly:

1. During the installation of each DPoE™ Power Patch Panel, it is important to record the MAC address of the panel. This is needed since this is the only unique identification of the panels once they are placed into your network. An installation worksheet is provided to record this and other important information. A bar code of the MAC is also provided that allows a bar code reader to record this information automatically. The MAC and bar code for the MAC are found on the rear of the panel near the management ports.
2. Once the DPoE™ Power Patch Panel is connected to the network and power is applied, the panel will obtain an IP address via DHCP. This will take 1-2 minutes depending on your network and DHCP server settings.
3. Using the Discover capability of the Element Manager, search the subnet where the panels have been installed for the panels.
4. When the panels are discovered they will appear in a table as shown below:



- The table contains the MAC and IP address of the all of the panels. The message log will include the MAC and IP address of the newly discovered panel(s). The MAC Address can now be used to associate the discovered panel with the information contained on the installation worksheet, and the Panel Attributes can now be entered.
- Double-click on the row in the table containing the first newly discovered panel. After the panel information is gathered from the panel, the View Panel Screen will open and will look like this:



- Select the Edit Panel Info and the following form will open. This is where the Panel Attributes can be entered.

BL Panel 0.12-bb

Panel IP Address:
 DHCP IP Address: 172.16.39.151
 Static Subnet Mask: 255.255.252.0
 Gateway: 172.16.36.40

SNMP Settings:
 Panel Settings:
 SNMP Read Community: public SNMP Write Community: private

Panel Attributes:
 Panel Name: BL Panel 0.12-bb
 Rack Name: BL Desk Rack
 Rack Space Position: 2
 Contact Name: Joe Q. Public
 Panel Physical Location: Panduit Corporation/1050
 Power Supply Location: TRI - On Desk
 Power Threshold: 80 % Enable Trap

Trap Settings:

	Enable	IP Address	Community String	SNMP	Critical	Major	Minor	Advisory
SNMP Trap 1:	<input checked="" type="checkbox"/>	172.16.39.15	public	v2C	<input checked="" type="checkbox"/>	<input checked="" type="checkbox"/>	<input checked="" type="checkbox"/>	<input checked="" type="checkbox"/>
SNMP Trap 2:	<input checked="" type="checkbox"/>	172.16.37.227	public	v2C	<input checked="" type="checkbox"/>	<input checked="" type="checkbox"/>	<input checked="" type="checkbox"/>	<input checked="" type="checkbox"/>
SNMP Trap 3:	<input type="checkbox"/>	0.0.0.0	public	v2C	<input checked="" type="checkbox"/>	<input type="checkbox"/>	<input type="checkbox"/>	<input type="checkbox"/>

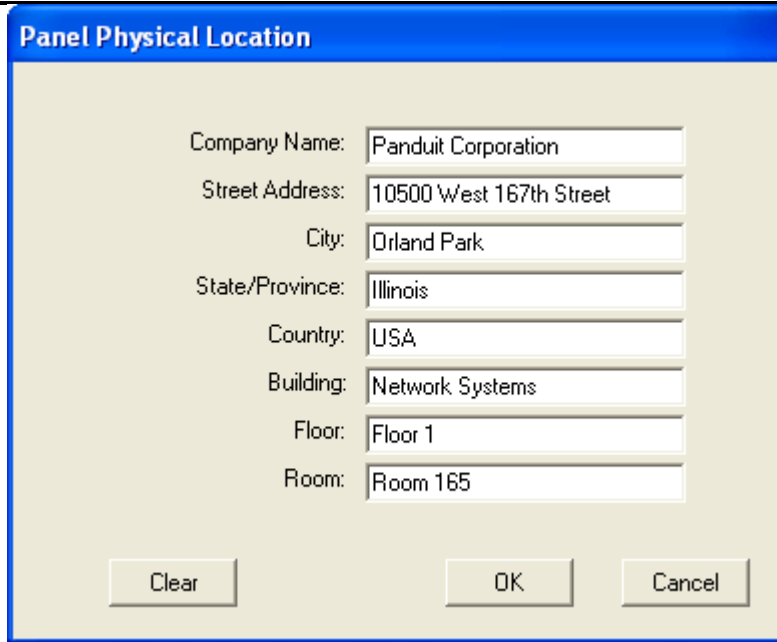
Refresh Save Cancel

Panel Attributes

Panel Name: BL Panel 0.12-bb
 Rack Name: BL Desk Rack
 Rack Space Position: 2
 Contact Name: Joe Q. Public
 Panel Physical Location: Panduit Corporation/1050
 Power Supply Location: TRI - On Desk
 Power Threshold: 80 % Enable Trap

The panel name, rack name, rack space position, and contact name should be entered here as shown above. The Element Manager will create a rack with that name, and any panel that has the same rack name will be grouped under that rack. This screen also includes a place to record the name and location information of the power system for this DPoE™ Power Patch Panel.

Note that the Panel Physical entry allows a large amount of information to be entered, which includes additional physical and geographic information for this panel. This should also be filled out per the example below:



Panel Physical Location

Company Name: Panduit Corporation

Street Address: 10500 West 167th Street

City: Orland Park

State/Province: Illinois

Country: USA

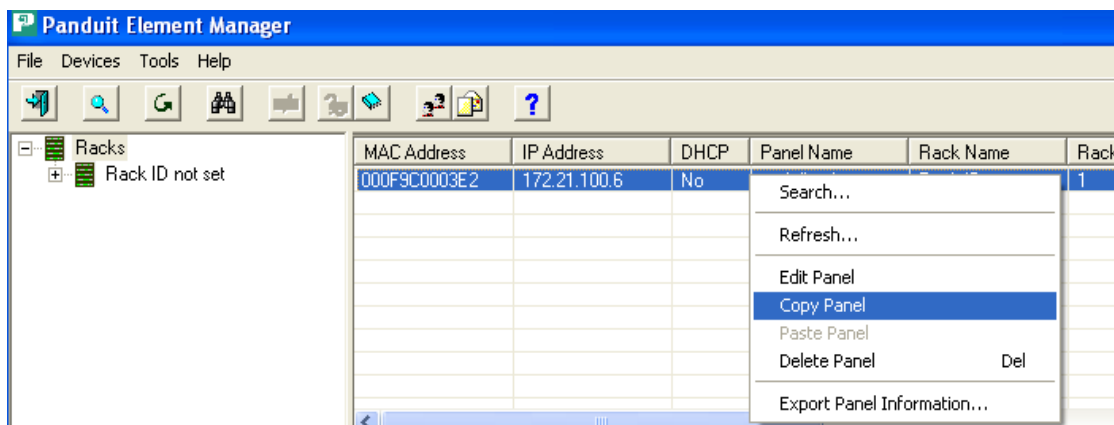
Building: Network Systems

Floor: Floor 1

Room: Room 165

Buttons: Clear, OK, Cancel

8. Once all of the information is entered, click the **Save** button and this information will be saved to the panel and the graphic for the rack will be shown in the Element Manager Tree View of the Network area along with a graphical representation of the panel with the proper name. (See page 23, *Figure 3: System-Level Opening Screen*, for more information.)
9. Other newly discovered panels can be easily provisioned by copying the Panel Attributes from this panel, and making changes where needed for the new rack names, rack positions, panel name, etc. This can be done by selecting the table row with the last provisioned panel, right-clicking, and choosing "Copy Panel". Select the next panel to be provisioned by highlighting the row of the panel, right clicking, and choosing "Paste Panel." All of the Panel Attributes will be applied to the new panel. Select "Edit Panel" and edit Panel Attributes and make the appropriate modifications.



10. The previous step should be repeated for each panel in the network until all the panels have been provisioned. Once this is done, the Element Manager can easily manage all of the powered devices using the more intuitive physical location information that is stored in each panel.

Administering Port and Panel-level Information

The PANDUIT® Element Manager makes it easy to administer the deployed network of DPoE™ Power Patch Panels. When a specific panel is selected in the Tree Level View of the Network on the system-level opening screen, the EM automatically retrieves the latest power and LED information from the selected panel and displays on the View Panel Screen. (See pages 17 & 18, *Table 8: Panel Status LED Indications*, *Table 9: Port Status LED Indications* and *Table 10: Network Status LED Indications* for information on the LED Indicators.

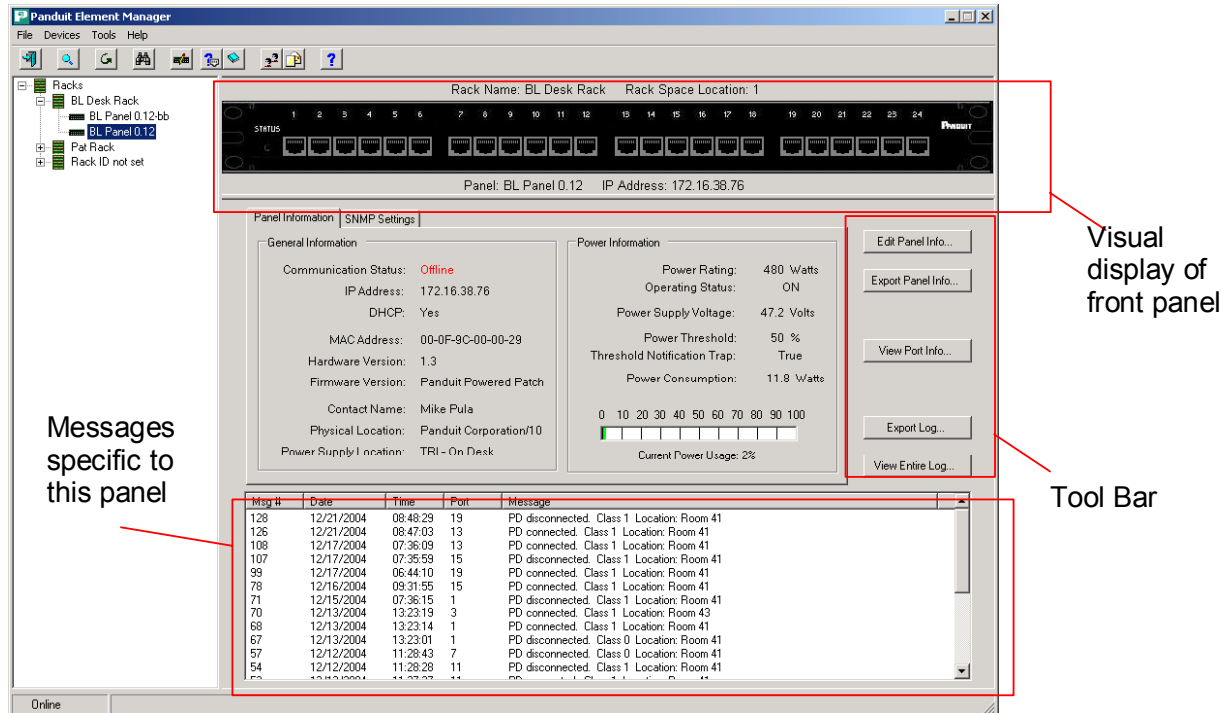


Figure 4: View Panel Screen

The top portion of the panel-level opening window provides a view of the DPoE™ Power Patch Panel, complete with the current LED status, IP address, rack name and rack location.

There is also a second tab on this screen to view the current SNMP information currently set on this panel. This screen cannot be used to modify the configuration SNMP information.

The left center area of the above screen shows the current information provisioned in the panel. It includes network information, configuration information, power consumption information.

The bottom portion shows the log messages for this specific panel.

The right center of the above screen provides a tool bar to more quickly perform the tasks associated with this specific panel.

Edit Panel Information

In addition to the Edit Panel Info button on the tool bar, the Edit Panel option under the Devices pull-down menu provides an easy mechanism to perform this task.

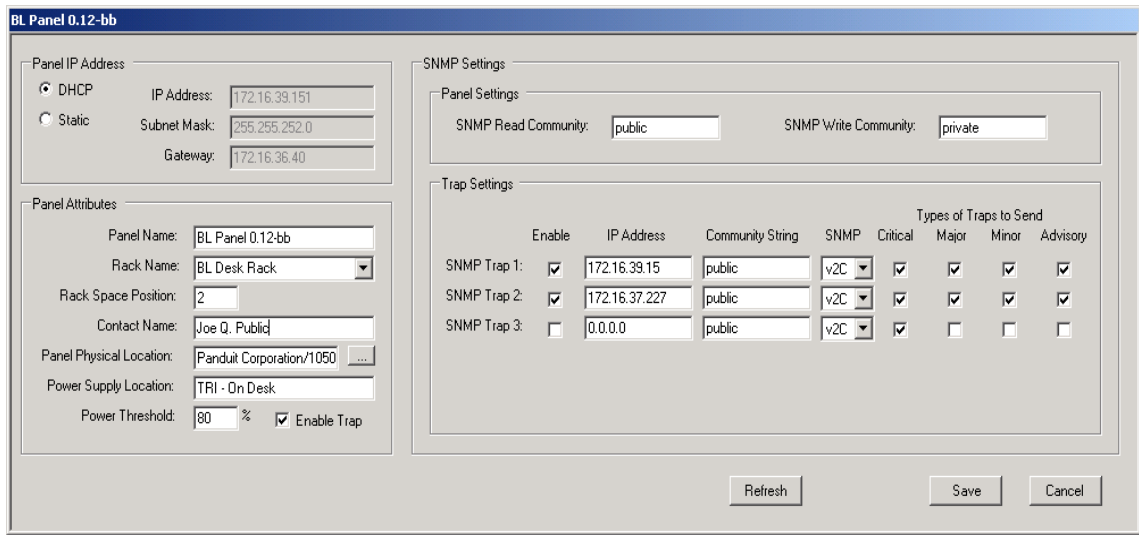


Figure 5: Edit Panel Screen

TIP: Prior to modifying any entries on this screen, click on the **Refresh** button to retrieve the latest information stored in the specific panel.

This screen will allow the network operator to change the panel IP address, the panel attributes, the SNMP setting, or the trap settings.

After any changes are made, be sure to click on the **Save** button to store the information and transmit it to the DPoE™ Power Patch Panel.

– **Panel IP Address**

The DPoE™ Power Patch Panels come with a factory setting of DHCP address assignment. After the panel is connected to the EM, the network administrator may change this setting by adding an IP address & Subnet Mask, if desired, to be consistent with the rest of his/her network. The Gateway field is the IP address of a gateway. If the EM and the DPoE™ Power Patch Panels are on different networks or if the SMTP server is on a different network from the panel, the panel will send those messages to the gateway IP address specified.

NOTE: The DPoE™ Power Patch Panel supports either static IP addressing or DHCP address selection. If the panel is set for DHCP, no other information is required in this section.

– **Panel Attributes**

This portion of the screen can be used to set the Panel Name, Rack Name, Rack Space Position, Panel Physical Location, and Power Supply Location. These fields are freeform and, while these fields will not change the operation of the EM, they allow the EM to present the panel and rack information in a user-friendly format. For example, with these fields set, panels in the same rack will be grouped together in the Tree View of the Network area on the system-level opening screen. Likewise,

panels wired in a single rack will be displayed consistent with the value in the Rack Space Position field. (See page 29, *Provisioning the Panel*, for more information.)

Once these values are set in the EM, this information will be transmitted and stored in the DPoE™ Power Patch Panels.

Two additional fields are available on this screen and affect the operation of the panel. The first field, the Power Threshold, allows the network operator to configure the available power for this panel as a percentage of the maximum power the panel can support. For example, although the panel can support 480 watts, panels that use external power supplies, rather than a direct 48-volt input, are not normally capable of supplying 480 watts of power. Therefore, the Power Threshold for this panel might be set at 30%. And the Power Warning Threshold, which tells the panel when to send an alarm messages, might be set at 10%, so that the panel starts alarming when it reaches 90% of this particular panel's maximum. (See page 47, *EM Log Messages*, for more information on Power Warning Threshold.)

The Enable Trap is a checkbox () to quickly turn on/off an individual panel's reporting of threshold power alarms.

– SNMP Settings

The system defaults to public for the SNMP Read Community and private for the SNMP Write Community.

IMPORTANT:	<p>The SNMP Community fields are case-sensitive and allow SNMP messages to be exchanged between the EM and the DPoE™ Power Patch Panels.</p> <p>FOR SECURITY REASONS, THESE FIELDS SHOULD BE CHANGED FROM THEIR DEFAULTS.</p>
-------------------	--------------------------------------------------------------------------------------------------------------------------------------------------------------------------------------------------------------------------------------

– Trap Settings

The Trap Setting section allows the network operator to configure the DPoE™ Power Patch Panel to send configuration and alarm messages to up to three different IP addresses.

IMPORTANT:	<p>One of the Traps must be configured and set to the IP address of the computer running the EM in order for the EM to receive configuration and alarm messages from the panel.</p> <p>The computer running the EM should not have any other programs running that receive trap information.</p>
-------------------	--------------------------------------------------------------------------------------------------------------------------------------------------------------------------------------------------------------------------------------------------------------------------------------------------

The IP Address, SNMP Community String and SNMP version (normally SNMP V2C) are set according to the destination device for these outgoing messages. The Enable provides an easy on/off button for the traps without having the delete the above-entered information.

The other fields, Critical, Major, Minor, Advisory, refer to the priority of the messages and allow the network operator to designate which message should be sent to each trap. (See page 47, *EM Log Messages*, for more information.)

Copy/Paste/Delete Panel Information

The EM also provides a unique feature that will allow the network operator to more efficiently configure the network by allowing all panel-level information to be copied from one panel to another. The Copy Panel and Paste Panel options under the Tools pull-down menu provide an easy mechanism to perform this task.

Once a panel is highlighted in the Tree View of the Network area on the system-level opening screen, the View Panel Screen for that panel will appear. Using the Copy Panel capability, will copy all panel-level information into a buffer. By then selecting another panel on the Tree View of the Network, perhaps a newly added panel, the paste panel capability is used to paste the panel-level information (Panel Attributes, SNMP Settings and Trap Settings) from the first panel to this second one. The paste panel capability can continue by selecting another panel and selecting the Paste Panel option again.

NOTE:	The <u>Paste Panel</u> option does not overwrite the IP Addressing information for the panels. (See page 33, <i>Edit Panel Information</i> , for more information.)
--------------	---------------------------------------------------------------------------------------------------------------------------------------------------------------------

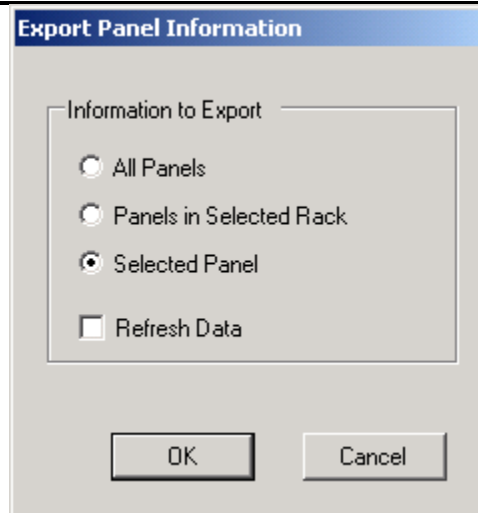
The Delete Panel option under the Tools pull-down menu provide an easy mechanism to delete a panel from the EM. This may be required if panels are being pulled from the network. Once a panel is highlighted in the Tree View of the Network area on the system-level opening screen, the View Panel Screen for that panel will appear. Using the Delete Panel capability will erase all panel-level information in the EM for this panel.

NOTE:	Since the master copy of all Panel information is stored in the panel itself, the Discover capability to find the panel in the network and restore the information if it was erroneously deleted.
--------------	---------------------------------------------------------------------------------------------------------------------------------------------------------------------------------------------------

Export Panel Information

This capability allows the network operator to copy the configuration data associated with a given panel or group of DPoE™ Power Patch Panels into an Excel Spreadsheet (csv file format) or a flat file.

In addition to the Export Port Info button on the tool bar, the Export Panel option under the Tools pull-down menu provides an easy mechanism to perform this task.



If the Refresh Data option is checked, the EM will retrieve the latest information from the selected panels and before prompting the network operator to enter a filename and location where the information can be stored on the PC. After the panel-level information is saved, the operator is prompted as to whether port-level information should be stored in a separate file.

View Port Information

In addition to the View Port Info button on the tool bar, which will display configuration information for all ports on the specified panel, the operator may double-click any port on the Visual Display of the Front Panel portion on the View Panel Screen to view the information for that port only.

Clicking the View Port Info button will display the following screen and allow the network operator to administer the ports on a given DPoE™ Power Patch Panel.

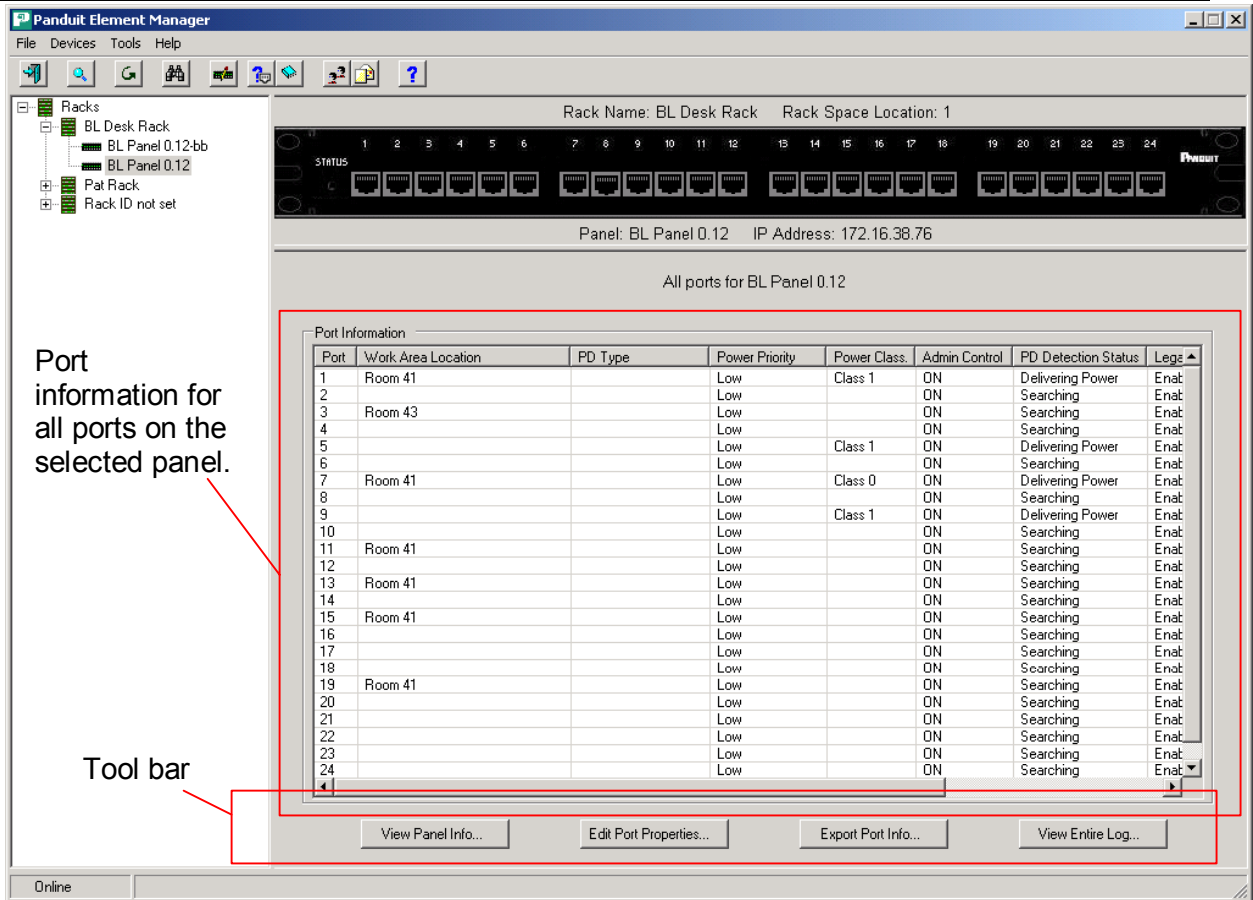


Figure 6: View All Ports Screen

– Edit Port Information

Clicking any row on the port information section of this screen will bring up the configuration information for that individual port. This is the same screen that will appear by double-clicking an individual port on the Visual Display of the Front Panel portion on the View Panel Screen.

TIP: By holding down the <ctrl> key, the network operator can select multiple ports on the same Power Patch Panel. Then, by selecting the Edit Port Properties button on the Tool Bar, he/she can configure multiple ports simultaneously. Any fields not specifically overwritten with new values will be left unchanged.

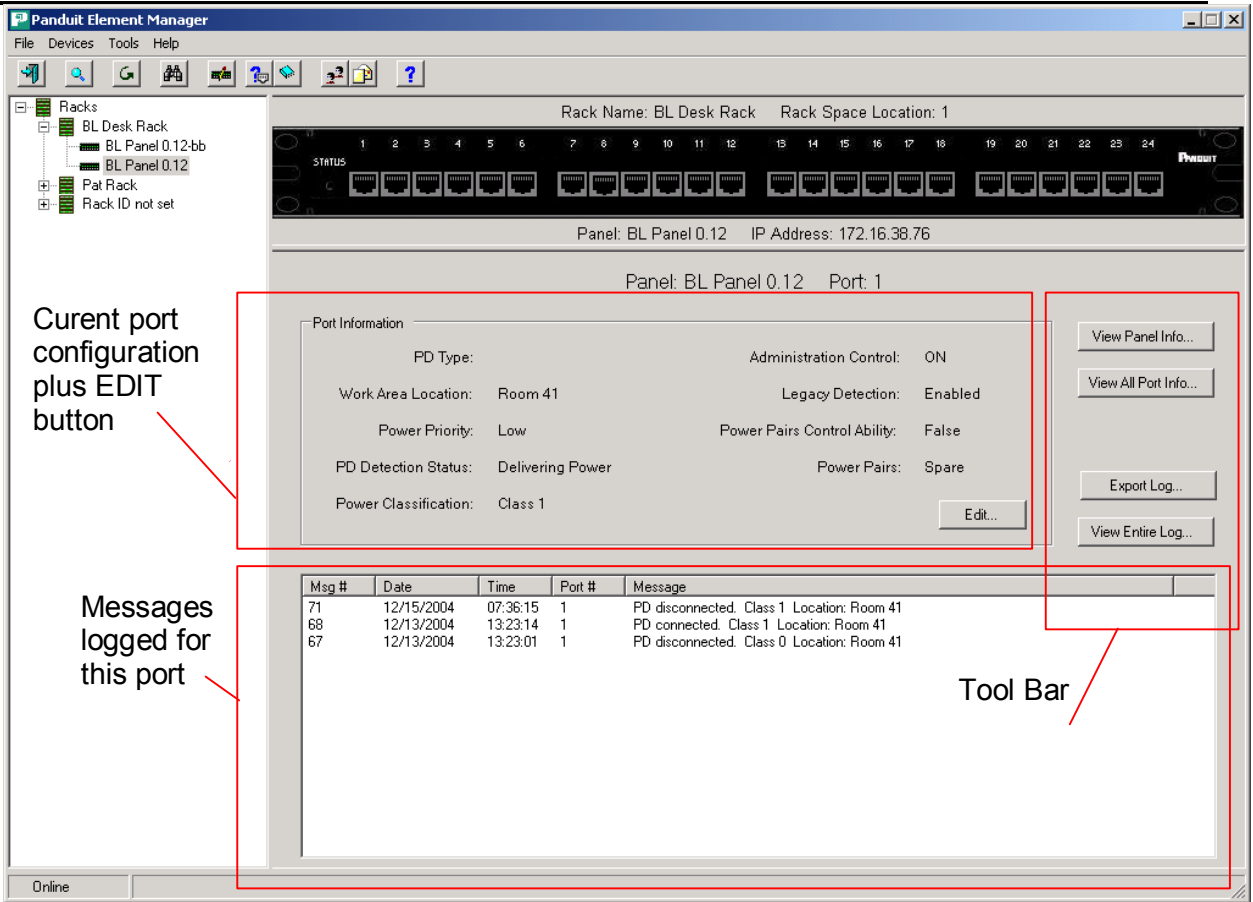
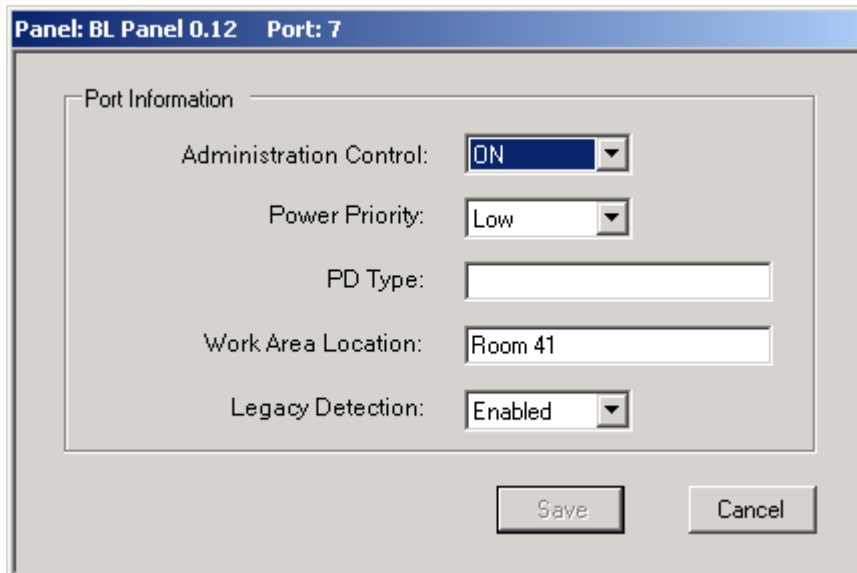
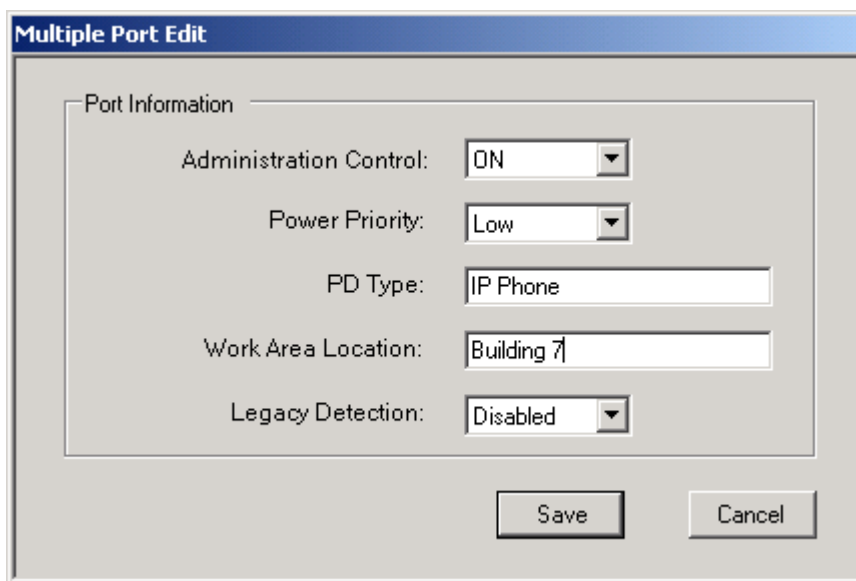


Figure 7: View Individual Port Screen

Clicking on the **Edit** button will bring up the screen to edit individual ports on a DPoE™ Power Patch Panel.



If the network operator were simultaneously configuring multiple ports, the following screen would instead appear and any values not overwritten would be left unchanged.



Administration Control - This setting {on/off} allows the network operator to control whether each individual port is sourcing PoE power. If this field is set to off, the port acts like any port on a non-powered patch panel rather than a PoE port. This enables the network operator to mix non-powered or locally powered devices in the same panel as PoE devices. The factory default setting for this field is ON.

Power Priority - This setting {low, high, critical} indicates whether the importance of maintaining PoE power to this port in low-power situations. This field is used in coordination with a higher-level Network Management System (if available).

PD Type - This free-form field allows the network operator to enter information on the Powered Device (PD), such as the type of device (IP-phone, camera etc.).

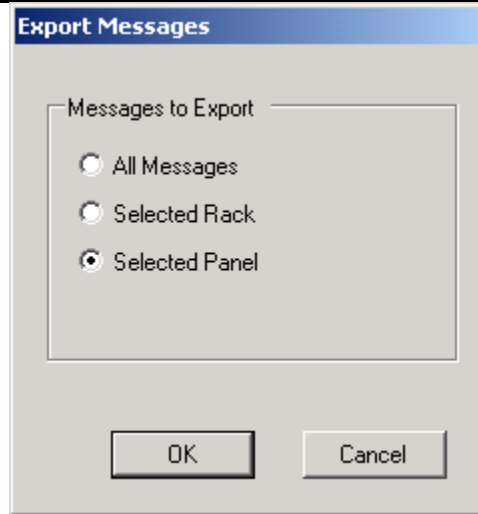
Work Area Location - These free-form fields allows the network operator to enter information such as the location where the device is located.

Legacy Detection - This setting {enabled, disabled} allows the network operator to specify whether this port is connected to a Cisco legacy PoE device. If this field is set to enabled, the DPoE™ Power Patch Panel port will transmit Cisco-standard power rather than the IEEE 802.3af-2003 compliant power.

Export Log

This task, like the Export Panel Information capability, allows the network operator to copy the Log Messages from the currently selected port, rack or the entire network of DPoE™ Power Patch Panels to an external file.

The Export Log button on the tool bar on the View Panel Screen provides an easy mechanism to perform this task.



View Entire Log

The **View Entire Log** button on the tool bar on the View Panel Screen can be used to perform this task. Viewing the message logs can also be activated from most points within the EM using the button on the top tool bar.

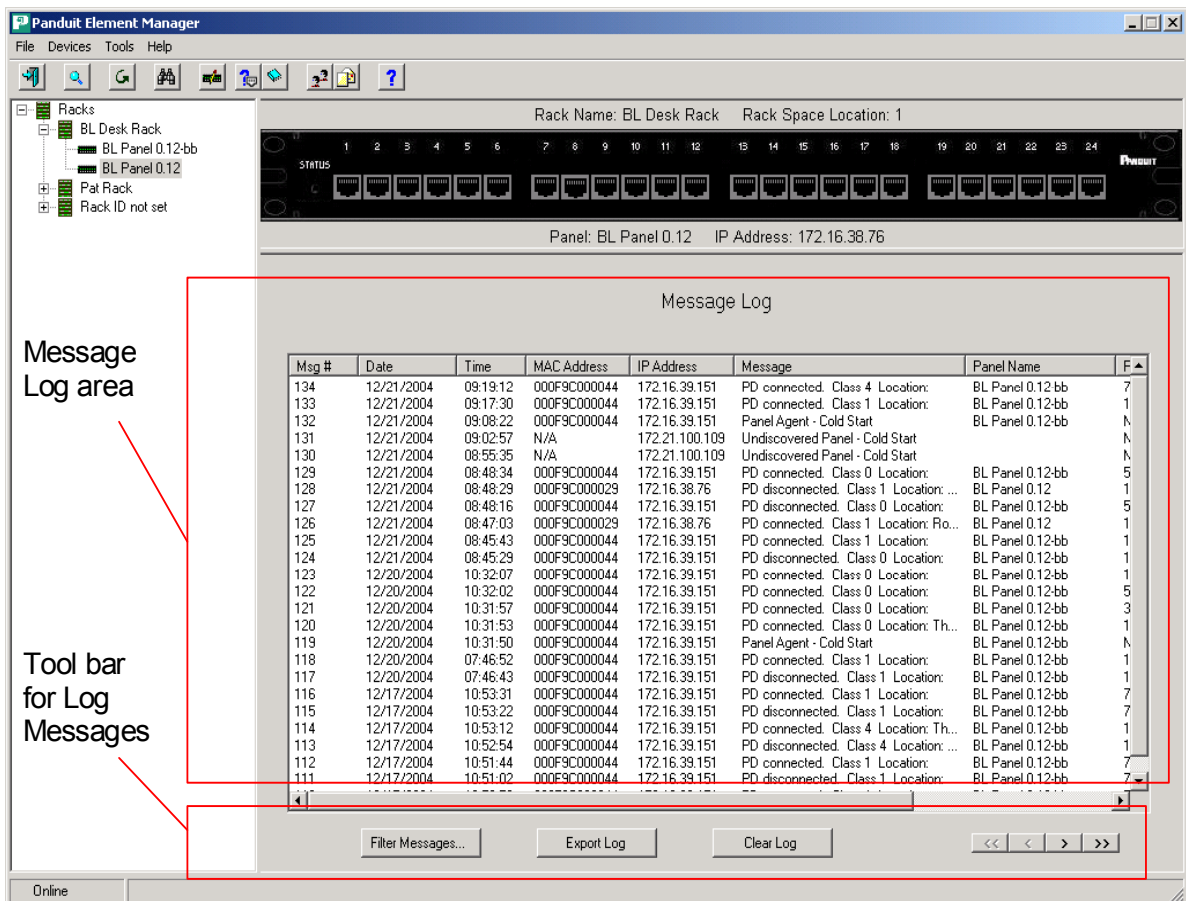


Figure 8: View Message Log Screen

The View Message Log area provides a sequential listing of all messages received by the EM, displaying them in a first-in, first-out manner. That is, the most recently received messages are listed at the top of the window and the older messages are pushed down toward the bottom of the window. The “rewind” and “fast-forward” buttons in the right half of the tool bar for the Message Log area are used to navigate through the message logs should it grow beyond the viewable area.

– Filter Log Messages

By clicking on the [Filter Messages](#) button, the operator can selectively view and/or export a subset of the log messages.

The screenshot shows the 'Message Log Filter Parameters' dialog box. It is titled 'Message Log' in the window title bar. The main content area is titled 'Message Log Filter Parameters'. There are eight filter sections, each with a 'Show All' radio button and a 'Show Only' radio button. The sections are: 1. Date Range (Start Date: 12/21/2004, End Date: 12/21/2004); 2. Rack Name (From: , To:); 3. Rack Space Location (From: , To:); 4. IP Address (From: , To:); 5. MAC Address (From: , To:); 6. Panel Name (From: , To:); 7. Port Number (From: , To:); 8. Messages (checkboxes for various event types). At the bottom right are 'Show Results' and 'Close' buttons.

He/She can sort through and view this subset by any combination of:

- date range,
- by rack number or range of rack numbers,
- by rack space location or range of rack space locations,
- by IP address or range of IP addresses,
- by MAC address or range of MAC addresses,
- by panel name or range of panel names,
- by port number or range of port numbers and,
- by any of the specific message types

– Export Log


By clicking on the [Export Log](#) button, the operator is given the option of exporting the log file related to particular panel, rack or the entire log to a file.

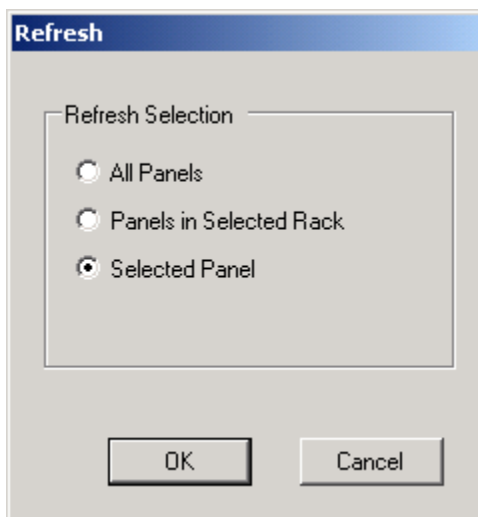
– Clear Log

By clicking on the Clear Log button, the operator will be given the opportunity to export the log before erasing the entire log.

NOTE:	Clearing the log will clear the <u>entire</u> message log in the EM. It cannot be used to selectively clear a portion of the log.
--------------	-----------------------------------------------------------------------------------------------------------------------------------

Refresh the Network


The Refresh option under the Devices pull-down menu or the button () on the top tool bar provides an easy mechanism to make sure that the configuration and status information in a deployed network of DPoE™ Power Patch Panels is consistent with the EM. Changes in network status or configuration changes made by a different EM operating within the same network of panels are two reasons why panels may have different information than the EM.



The Refresh capability will allow a Refresh of the entire network, all the racks in a panel, or a single panel within a rack.

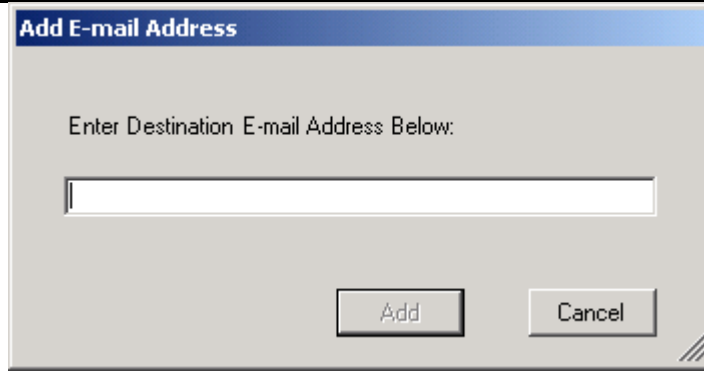
Administering E-mail Settings

By using the E-mail mechanism, the network operator can assign specific e-mail addresses to be notified of network events. For example, the EM can be configured to send e-mail messages to one or more e-mail addresses in the event of configuration changes, incoming alarms or other events within the network of DPoE™ Power Patch Panels. There are 16 categories of messages, alarms and events, which can be flexibly assigned to any of the e-mail addresses.

The E-Mail Settings option under the Tools pull-down menu provides an easy mechanism to add new e-mail addresses to the system or administer which events trigger messages to which e-mail accounts. There is also a button () on the top tool bar on the system-level opening screen to perform this task.

<p>NOTE:</p>	<p>Before any e-mail messages can be sent from the system, the <u>SMTP Server</u> and <u>Source E-mail Address</u> fields must be entered.</p> <p>The <u>Source E-mail Address</u> will be used as the "from" address on all e-mails sent from the Element Manager.</p> <p>Once this information is added, check the <u>E-mail Enabled</u> box and store the settings using the <u>Save</u> button.</p>
---------------------	---------------------------------------------------------------------------------------------------------------------------------------------------------------------------------------------------------------------------------------------------------------------------------------------------------------------------------------------------------------------------------------------------------

By clicking on the Add button, the network operator can enter a destination e-mail address that will receive notification e-mails when network events occur.



Once the e-mail addresses are entered into the system and a specific e-mail address is selected on the left panel of the E-mail Settings, the right panel is used to select which message categories will be sent to that e-mail address. (See page 47, *EM Log Messages*, for more information on each of these message types.)

NOTE:	The same category of events may be selected for multiple destination e-mail addresses.
--------------	----------------------------------------------------------------------------------------

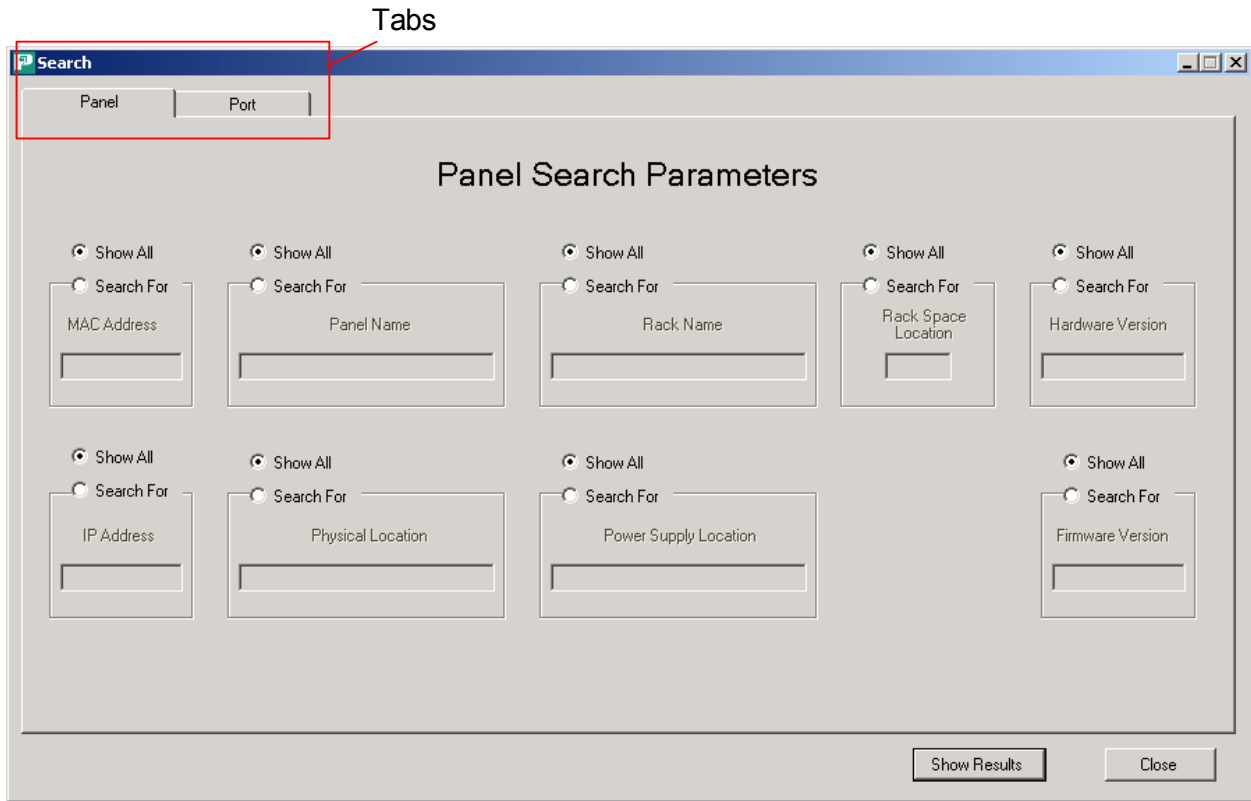
The Edit button is used to change the e-mail address of an already assigned e-mail address without the need to delete and reenter the selection criteria.

Search for Specific Panel(s) or Port(s)

The Search option under the Tools pull-down menu or the button (🔍) on the top tool bar provides an easy mechanism to search the EM for specific panel(s) or port(s).

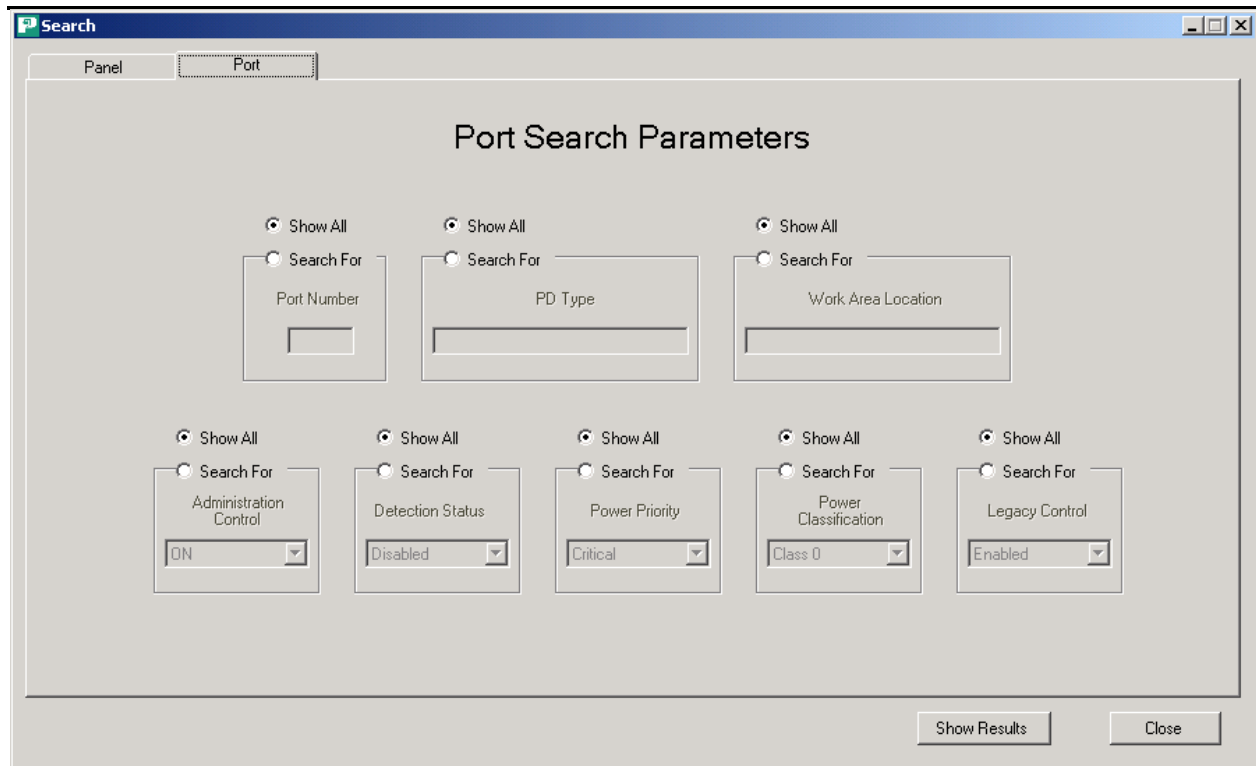
NOTE:	The * character may be used to perform wildcard searches.
--------------	-----------------------------------------------------------

The first screen to appear is the Panel Search option. An alternate tab can be selected to perform a search for a specific port.



Panel level searches can be conducted by any combination of:

- MAC address,
- Panel Name,
- Rack Name,
- Rack Space Location
- Hardware Version,
- IP Address,
- Physical Location,
- Power Supply Location,
- Firmware Version.



Port level searches can be conducted by any combination of:

- Port Number,
- PD Type,
- Work Area Location
- Administration Control,
- Detection Status,
- Power Priority,
- Power Classification,
- Legacy Control.

EM Log Messages

The following types of messages are generated within the DPoE™ Power Patch Panel network and are displayed in the EM logs. While most of these messages are generated by a DPoE™ Power Patch Panel in the network, several of these messages originate within the EM when, for example, it loses communication with one of the panels in the network.

Table 12: EM Log Messages

Message Category	Priority Level	Description
Undiscovered Panel – Cold Start	Advisory	The main software process (i.e., the panel agent) in a previously unknown panel is now up and running.

Message Category	Priority Level	Description
Panel Agent – Cold Start	Advisory	The main software process (i.e., the panel agent) in a previously known panel is now up and running. The process likely reset itself
New Panel Discovered	Advisory	The Discover capability has found a new panel.
PD Connected	Minor	A new Powered Device has been detected at the panel.
PD Disconnected	Minor	A Powered Device has been disconnected.
Panel Power Above Threshold	Major	The power consumption at the panel has risen above the Power Warning Threshold.
Panel Power Below Threshold	Major	The power consumption at the panel has fallen below the Power Warning Threshold.
Panel Failure	Critical	The fuse has blown on the power-forwarding portion of a patch panel.
Port Physical Location Changed	Advisory	Location information of one of the ports has changed using the EM.
Trap Recipient Changed	Advisory	One of the traps associated with a particular panel was changed using the EM.
PD Detection Failure	Major	Panel detected failure with one of the Powered Devices.
Panel Agent Lost Communication	Critical	EM cannot communicate with the specified panel.
IP Address Changed	Advisory	The IP address at one of the panels has changed using the EM.

Miscellaneous Settings

Several miscellaneous settings must be configured for the *PANDUIT*® Element Manager to communicate properly with a deployed network of Power Patch panels.

The Settings option under the Tools pull-down menu provides an easy mechanism to administer these settings.

If the Online indicator is not checked () , the EM assumes it is in the offline mode and will not attempt to connect to the deployed Patch Panel Network. Changes made within the EM will not be updated in the panels.

When the power consumed on any given panel reaches the Power Warning Threshold below the maximum power level *for that particular panel*, the panel will issue a warning alarm and display that the panel is in the warning range.

NOTE:	This above setting is a system-wide power warning threshold, but it used as a percentage below maximum for each individual panel. Some panels in the network might have their maximum panel power set at different levels and therefore would alarm at different points. (See page 33, <i>Edit Panel Information</i> , for more information on the <u>Power Threshold</u> field.)
--------------	-----------------------------------------------------------------------------------------------------------------------------------------------------------------------------------------------------------------------------------------------------------------------------------------------------------------------------------------------------------------------------------

Rack Space Numbering is a system-wide field {ascending, descending} that enables the EM to display the panels in the racks in the same fashion as they are wired in the network racks. Either the rack slots are numbered from with the highest rack positions at the top (descending) or the highest rack positions at the bottom (ascending). By setting this parameter appropriately, the rack-level displays presented by the EM will show the DPoE™ Power Patch Panels in their installed top-to-bottom order.

The SNMP Timeout Value is a configurable threshold. If more than this number of seconds has expired and the system hasn't yet received an answer to a previously transmitted SNMP message, the system will assume there is a communications problem.

DPoE™ Power Patch Panel Firmware Update

The DPoE™ Power Patch Panel has the ability to have its firmware programmed remotely. A Trivial File Transfer Protocol (TFTP) operation can be initiated using the Element Manager (EM). The Firmware Update option under the Tools pull-down menu provides a method to perform the update.

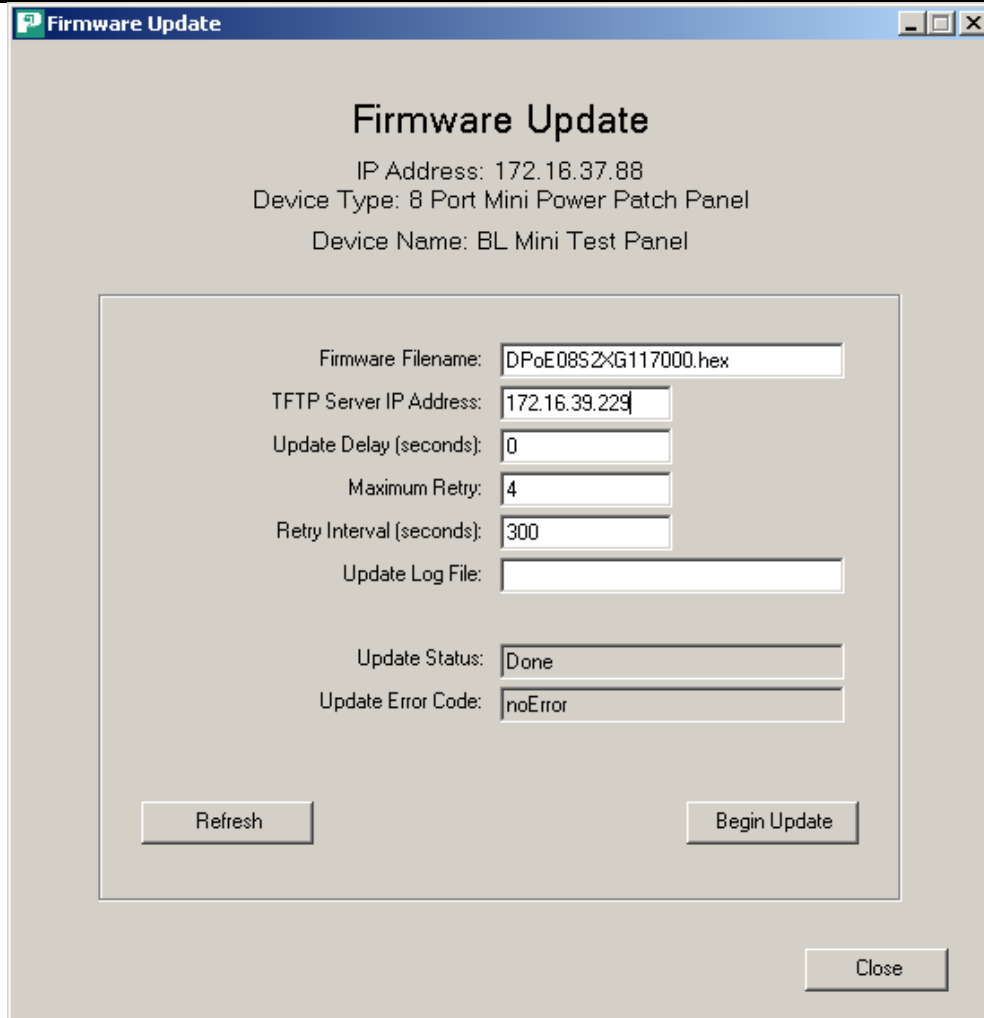
NOTE:	The latest version of firmware may be downloaded after product registration at www.panduit.com/ManagedNetworkSolutions The panduit.com website will allow users to download firmware updates to their own TFTP server.
--------------	----------------------------------------------------------------------------------------------------------------------------------------------------------------------------------------------------------------------------------------------------------------------------------------

NOTE:	An important feature of the DPoE™ Power Patch Panel is its ability to continue supplying Power over Ethernet during firmware updates. All IEEE 802.3af and Cisco In-Line protocol legacy powered devices connected to the Panel will remain powered during a firmware update. Cisco In-Line protocol legacy new powered device detection may experience an interruption during a firmware update.
--------------	---------------------------------------------------------------------------------------------------------------------------------------------------------------------------------------------------------------------------------------------------------------------------------------------------------------------------------------------------------------------------------------------------

Insure that the DPoE™ device is connected to a Network with the PC that has the Element Manager application running and has the device to be programmed discovered (see Device Discovery Section).

Detailed Description of the Firmware Update

1. Download the new DPoE™ product file from www.panduit.com/ManagedNetworkSolutions to a directory location on your intranet (internal network).
2. Start a local TFTP server. This may require downloading and configuring TFTP server freeware or shareware from the Internet (refer to the TFTP Server Install Document). Note: When configuring your TFTP Server, the TPTF root directory must point to the directory where the new DPoE™ product file is stored.
3. The *Firmware Update* option under the *Tools* pull-down menu opens a window that identifies the IP address, device type and device name. The window as shown in the EM Firmware Update Screen can then be used to initiate the TFTP firmware update by the user entering the firmware filename and IP address of the TFTP server.




4. Enter the TFTP information in the EM screen and then click on the **Begin Update** button.
5. Observe the System status LED begins flashing red on the DPoE™ Power Patch Panel. See Table 12A: DPoE™ Power Patch Panel Firmware Update LED status for the LED activity during the Firmware update.
6. Allow sufficient time for the Firmware Update to complete. (Approximately 10 minutes)
7. When the Firmware Update is complete the System status LED resumes flashing green.

Table 13A: DPoE™ Power Patch Panel Firmware Update LED Status

System LED Color and activity	Network LED Color and activity	State Description	Elapsed Time
Red Solid	Off	Ethernet Switch Initialization	00 – 01 seconds
	Amber Solid	DHCP Initialization	01 – 100 seconds
	Green Blink	DHCP complete	

System LED Color and activity	Network LED Color and activity	State Description	Elapsed Time
Red rapid Blink	Green Blink	Image transfer and update in progress	5 - 7 minutes
Red slow Blink		CRC code	4 seconds
Red Solid		Image update complete	END
Green Slow Blink		Application Running	

Exiting the PANDUIT® Element Manager

The Exit option under the File pull-down menu or the button () will exit the EM.

APPENDIX 1 – DPOE24S1X AND DPOE24S1XY INSTALLATION

The PANDUIT® DPoE™ Shielded Power Patch Panel requires a direct connection to a nominal 48VDC supply. An individual power supply may be purchased separately from PANDUIT Corp or other vendors. Installation instructions for the individual power supply are included with that product. PANDUIT Corp provides multiple individual power supply options as listed below.

Table 14: Power Supplies Available from PANDUIT Corp.

PANDUIT Part Number	Description
DPOEPWRB120	120 watt power brick - 48 volt output
DPOEPWRCU	Unmanaged power chassis - supports 3 rectifiers and optional Network Interface Card (NIC)
DPOEPWRR500	500 watt rectifier for use in the DPOEPWRCU chassis
DPOEPWRR1250	1250 watt rectifier for use in the DPOEPWRCU chassis
CORD-A	Power cord for Australia
CORD-E	Power cord for Europe
CORD-S	Power cord for USA
CORD-U	Power cord for the U.K.

Package Contents

Each PANDUIT® DPoE™ Shielded Power Patch Panel is shipped in a box that includes the following:

Table 15: Package Contents

Item	Quantity	Notes
DPOE24S1X or DPOE24S1XY Power Patch Panel	1	The shielded version of the DPOE24U1X or DPOE24U1XY.
Rear shields	2	Top and bottom rear shields.
Wiring Template Label	1	For use on the rear panel of the DPOE24S1X or DPOE24S1XY – Supports either EIA/TIA 568A or 568B wire positions.
Quick Installation Instructions	1	PANDUIT Part Number PN404
DPOE™ Power Patch Panel Installation Worksheet	1	PANDUIT Part Number PN377

Item	Quantity	Notes
Metric and English screws	13	Installation requires six screws. One bag of six metric screws (M6x1.0x16), one bag of six English screws (12-24x1/2"), and an additional screw for the rear shield are included.
8 inch grounding strap	1	Used to ground the panel to the frame.
DPoE™ Power Patch Panel Support Tools CD-ROM containing: <ul style="list-style-type: none"> - PANDUIT Element Manager (EM) software. - DPoE™ Power Patch Panel Users Guide (this document) 	1	
Power connector housing with wire leads	1	This wiring harness is used to connect the DPoE™ Power Patch Panel to the 48VDC power supply. (Not used if the panel is powered by an individual power supply.)
10 Foot Power Harness	1	Used to connect the –48V A-feed to a power supply.
Butt splices	2	Two butt splices may be used to extend the 10 Foot Power Harness. (Do not exceed a total length of 35 feet).
Copper Tape	4	This tape is used to wrap around the shielded cable foil or braid.
PAN-TY'S	30	The PAN-TY'S are used to secure the shielded cable to the rear shield, and secure the shield.

Verify the above contents arrived in good condition. If not, contact PANDUIT Technical Support.

Table 16: PANDUIT Corp Contact Information

PANDUIT Technical Support	Fax: 1-708-444-6993 E-mail: cs@panduit.com
For Installation Instructions in Local Languages and Technical Support	www.panduit.com/resources/install_maintain.asp
Worldwide Subsidiaries and Sales Offices	www.panduit.com
Latest Software Updates	www.panduit.com/managednetworksolutions

IMPORTANT:	The DPoE™ Power Patch Panel Installation Worksheet should be used to record pertinent information when installing DPoE™ Power Patch Panel(s), particularly if the PANDUIT® Element Manager is monitoring the network. (See page 29, <i>Provisioning the Panel</i> , for more information on how this information will be entered in the EM.) The installer should complete this worksheet.
-------------------	--------------------------------------------------------------------------------------------------------------------------------------------------------------------------------------------------------------------------------------------------------------------------------------------------------------------------------------------------------------------------------------------

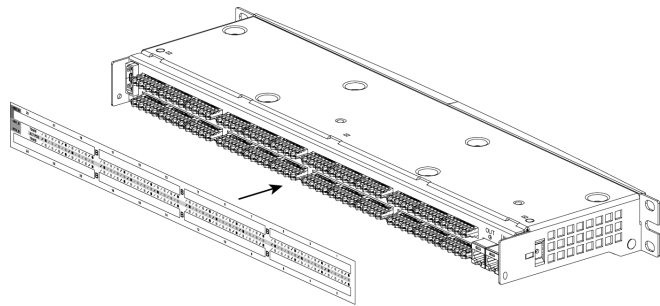
Panel Mounting Procedure

WARNING:	Only trained and qualified service personnel should install or service DPoE™ Power Patch Panels
-----------------	-------------------------------------------------------------------------------------------------

WARNING:	Before installing or servicing DPoE™ Power Patch Panels or communication wiring, be aware of the hazards with the associated electrical circuitry.
-----------------	----------------------------------------------------------------------------------------------------------------------------------------------------

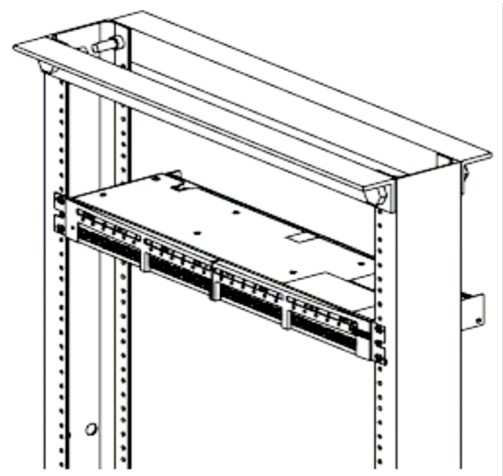
Rack Mounting Instructions

- Record the MAC address, printed on a sticker on the back of the unit, by writing it in the space provided on the included Installation Worksheet (PANDUIT part number PN377).
- Slip the Wiring Template Label over the rows of connectors on the back of the DPoE™ Power Patch Panel, making sure the proper wiring color code is facing out and that the writing is not upside down. One side of the label indicates EIA/TIA 568A wiring, while the other side is EIA/TIA 568B.
- Using four of the enclosed metric screws, install the PANDUIT® DPoE™ Shielded Power Patch Panel into the 19" rack at the planned rack position.

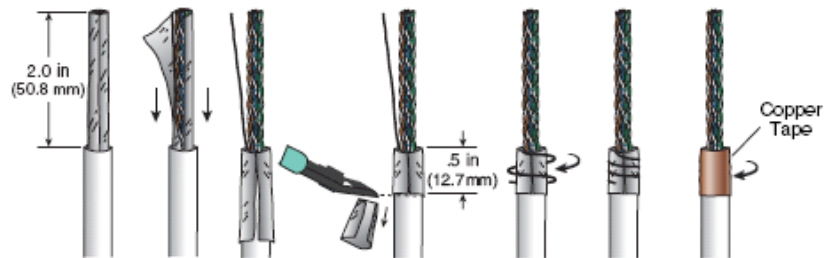
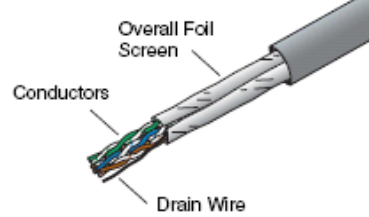


WARNING:	The supplied screws are part of a grounding system to ensure that the DPoE™ Power Patch Panel is properly grounded to the rack. USE ONLY THE SUPPLIED SCREWS TO ATTACH THE PANEL TO THE RACK.
-----------------	-------------------------------------------------------------------------------------------------------------------------------------------------------------------------------------------------------------

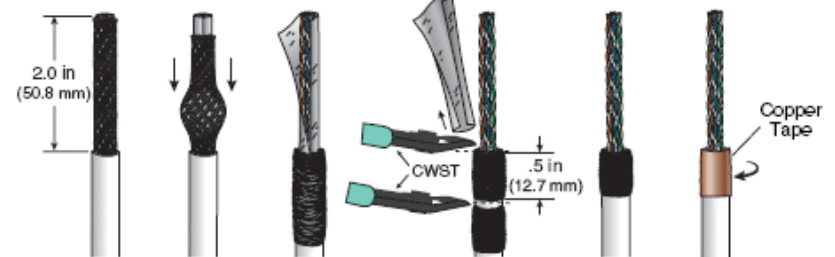
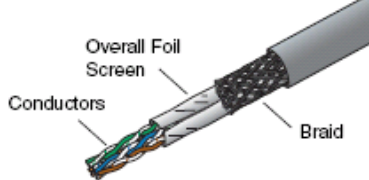
4. Record the rack space position on the Installation Worksheet.
5. Prepare the shielded cables for termination using the figures appropriate for the type of cable used.
Caution: Do not damage conductors. To ensure the highest shielding effectiveness, cut 1.5" (38.1 mm) of copper tape, included in 4 strips inside the Power Patch Panel Installation Kit, and wrap it around the cable foil or braid. Refer directly to the Installation Instructions or the diagrams below for proper cable termination depending on the type of shielded cable being used:



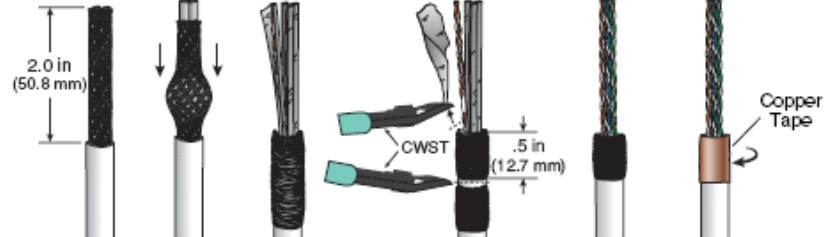
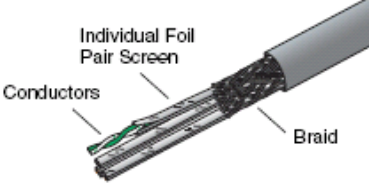
FTP / ScTP



S-FTP



STP / PIMF



Connecting the Powered Devices

6. After the cables are properly terminated, place conductors into the punchdown slots in the appropriate wiring sequence. In order to support pre-standard powered devices utilizing Cisco Inline Power, the ALT POE "A" or ALT POE "B", corresponding to a EIA/TIA 568A or EIA/TIA 568B configured data pairs, wiring sequence must be used.

NOTE:	The DPoE™ Power Patch Panel can terminate most 22-24 AWG solid or stranded IWC wire with a .050" (1.27mm) max o.d. either PVC or Plenum rated.
--------------	------------------------------------------------------------------------------------------------------------------------------------------------

Table 17: Color-Coded Wire Positions for 802.3af-2003 Compliant Devices

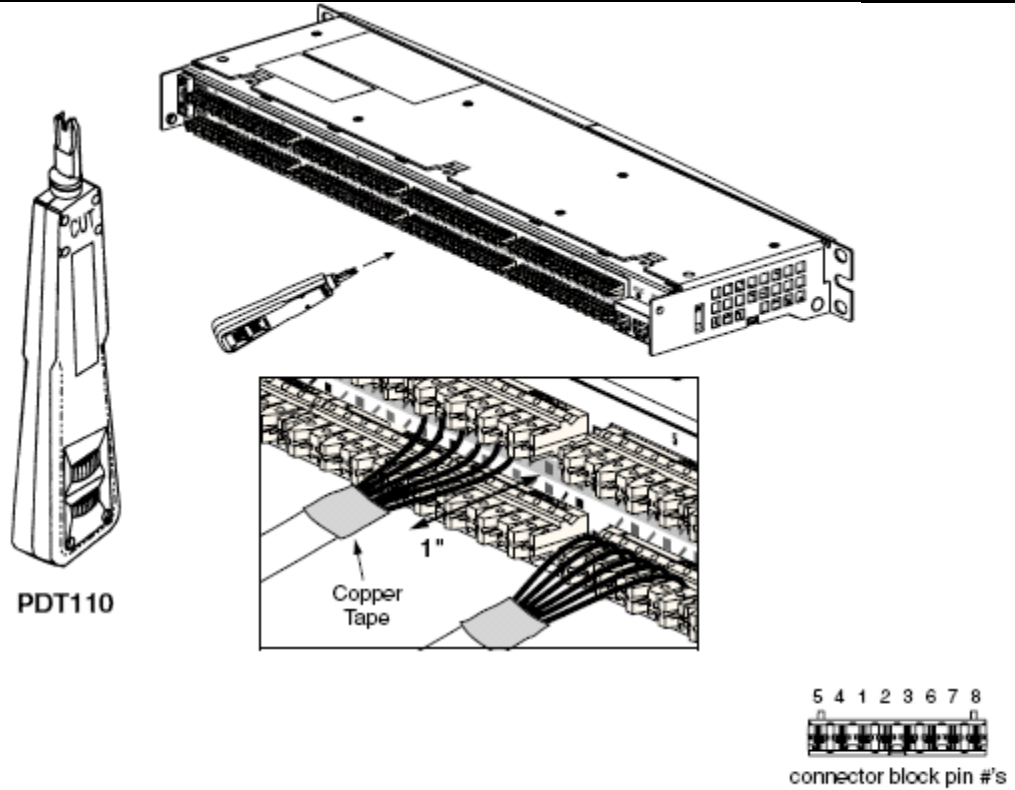
Pin Outs	EIA/TIA 568A	Pin Outs	EIA/TIA 568B
5	WHITE/BLUE	5	WHITE/BLUE
4	BLUE	4	BLUE
1	WHITE/GREEN	1	WHITE/ORANGE
2	GREEN	2	ORANGE
3	WHITE/ORANGE	3	WHITE/GREEN
6	ORANGE	6	GREEN
7	WHITE/BROWN	7	WHITE/BROWN
8	BROWN	8	BROWN

The DPoE™ Power Patch panel supports standard IEEE 802.3af-2003 devices as well as alternate PoE devices consistent with the Cisco legacy devices.

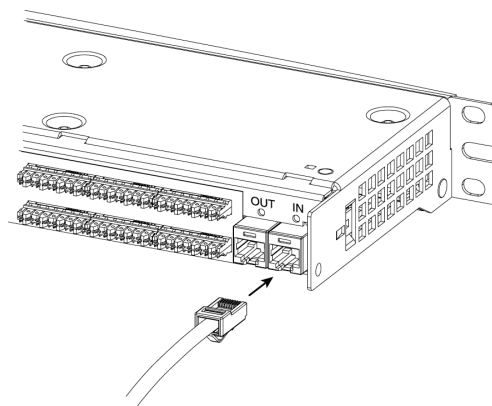
Table 18: Color-Coded Wire Positions for Alternate PoE Devices

Pin Outs	EIA/TIA 568A	Pin Outs	EIA/TIA 568B
5	WHITE/BROWN	5	WHITE/BROWN
4	BROWN	4	BROWN
1	WHITE/GREEN	1	WHITE/ORANGE
2	GREEN	2	ORANGE
3	WHITE/ORANGE	3	WHITE/GREEN
6	ORANGE	6	GREEN
7	WHITE/BLUE	7	WHITE/BLUE
8	BLUE	8	BLUE

- For best performance, the cable pair twists should be maintained as close as possible to the point of termination. Punchdown the conductors with a 110 Punchdown tool (PANDUIT part no. PDT110). Record port information on the PANDUIT DPoE™ Power Patch Panel Installation Worksheet (PANDUIT part no. PN377*). To ensure proper shielding, there must be approximately 1" (25.4 mm) between the cable foil or braid covered with copper tape and the punchdown connector.



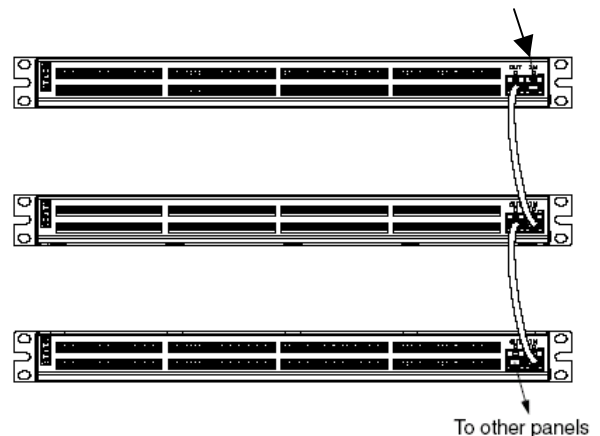
Networking The Panels (Optional)



directly connect to a PC with the PANDUIT Element Manager installed, but this PC must be setup as a DHCP Server.

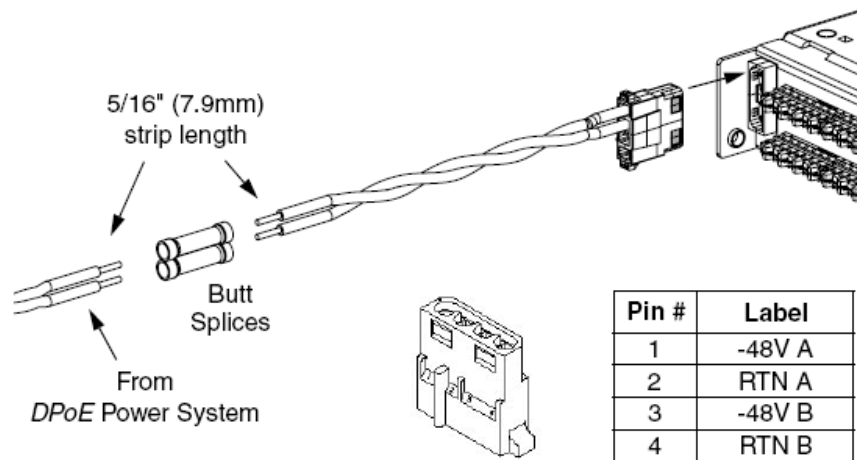
8. If the Element Manager is not being used to remotely manage the network of DPoE™ Power Patch Panels, skip to *Power Requirements*. Otherwise, using a standard patch cord (for example, PANDUIT part number UTPCH3 or UTPSP3), connect the IN management port on the back of the panel to an Ethernet switch. A DHCP Server must be on this network (unless the DPoE™ Power Patch Panel has been configured for Static IP operation). The panel may also be

9. If multiple panels are being used in the network, the OUT management port from one panel can be connected to the IN management port on the next panel in a daisy chain fashion, as shown. Once all of the connections are made, the EM or another Network Manager will be able to communicate with all the panels over this daisy chain of connections. (See page 29, *Provisioning the Panel*, for more information.)



Power Requirements

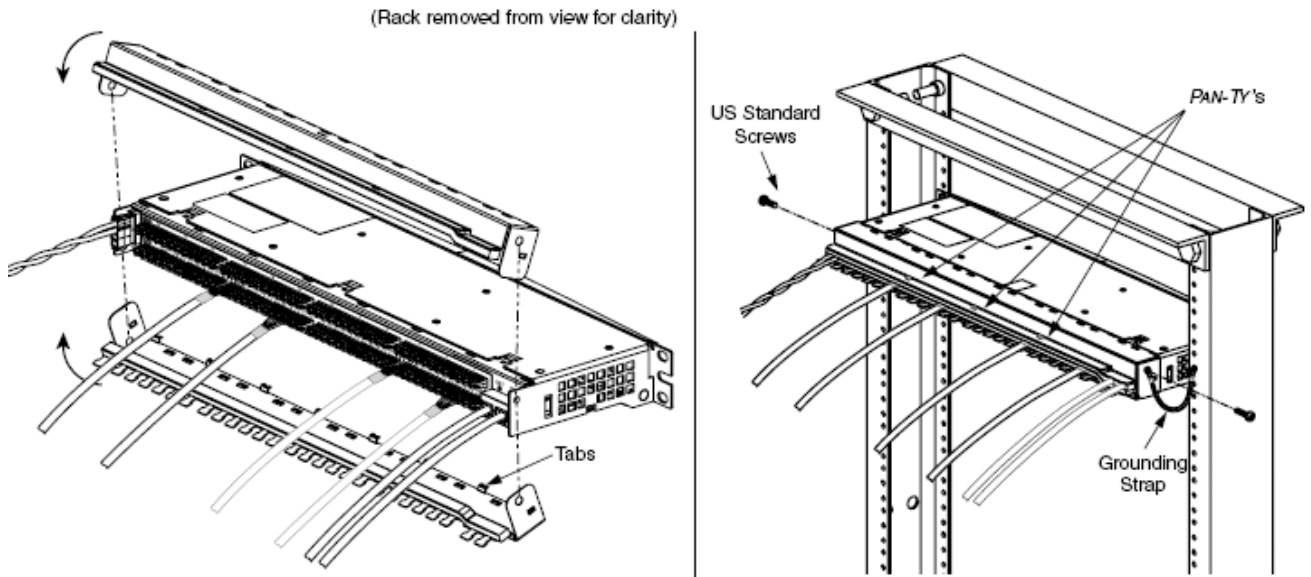
10. If the panel is being powered by an individual power supply, such as a PANDUIT® DPoE™ Power Patch Panel Power Supply (See page 8, *Table 1: Power Supplies Available from PANDUIT Corp* for a list of available powering options), skip to Powering Up The DPoE™ Power Patch Panel below, since the individual power supply is normally equipped with a matched keyed power connector that will fit the power connector on the back of the panel.
11. If the panel is being powered by a direct 48VDC source, strip the power leads on the included keyed power connector housing to 5/16" (7.9 mm). Strip the 48VDC supply wires to the same strip length, being careful not to damage the conductors.
12. Using the two butt splices provided with the panel, and paying attention to the polarity of the supply voltage, crimp the power harness wires to the supply wires. A crimping tool, such as the PANDUIT part number CT-100, can be used. The provided butt splices (PANDUIT part number BSV14X) support 14-16 AWG solid or stranded wire.



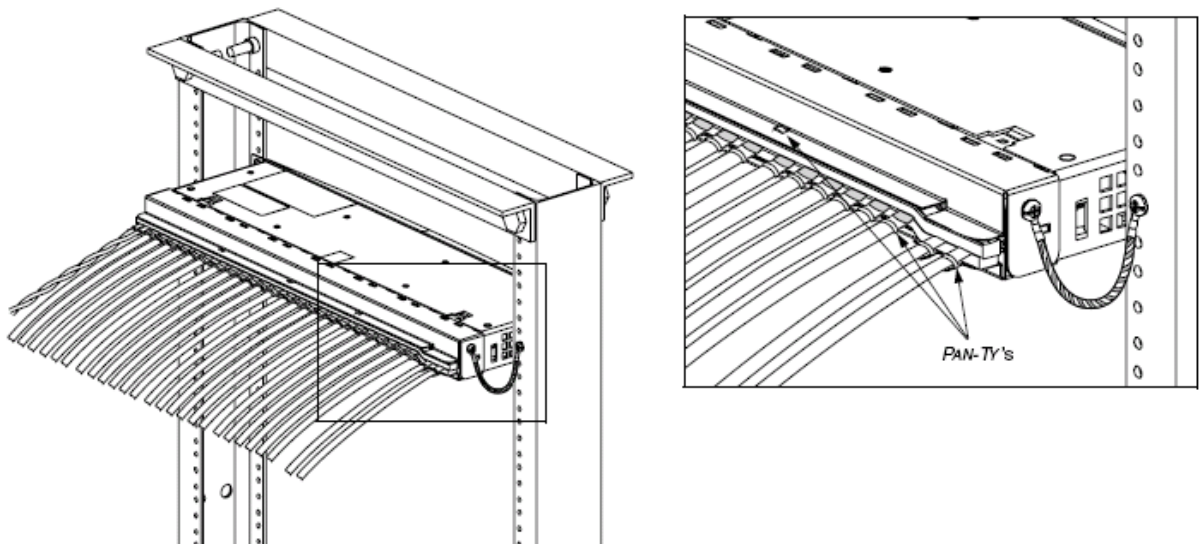
WARNING:	<p>The power supply connections are polarized.</p> <p>The DPoE™ Power Panel will not function if power is wired improperly.</p>
-----------------	---------------------------------------------------------------------------------------------------------------------------------

NOTE:	<p>The included power harness has two wires for the A-feed power only (pins 1 & 2). The DPoE™ Power Patch Panel supports an optional redundant B-feed power option, but the terminals and wire leads are not attached to the power harness.</p> <p>Contact PANDUIT Technical Support for more information about connecting the redundant B-Feed Power.</p>
--------------	----------------------------------------------------------------------------------------------------------------------------------------------------------------------------------------------------------------------------------------------------------------------------------------------------------------------------------------------------------------

13. Lightly tug on the butt spliced connections to verify that the butt splices are secure.
14. Plug the connector into the back of the DPoE™ Patch Panel.



15. Attach the top and bottom rear shields to the panel using the tabs on the shields. Be sure that the compliant conductive foam on the shields is in contact with the copper tape applied to the cables. Close the shields together over the cables and secure with *PAN-TY's* (*PANDUIT* part no. PLT1.5I-M). Fasten the shields together using US standard screws with the grounding strap in-between the screw and the shields.



16. Secure the cables to the shield tabs with the remaining *PAN-TY's*.

Powering Up the DPoE™ Power Patch Panel

17. Apply power the panel. Once power is applied to the unit, the DPoE™ Power Patch Panel will go through its power up sequence. The following table describes the behavior of the unit as viewed from the front and the back.

Table 19: DPoE™ Power Patch Panel Power Up Sequence

Behavior as viewed from the back of the unit	Behavior as viewed from the front of the unit
Both network status LEDs will light amber for two seconds	The panel status Light-Emitting Diode (LED) will light red for about 10 seconds. After that, a LED test sequence of the port status LEDs will take place, lighting each port status LED amber. It will appear as if the port status LED is “walking” from port 1 through port 24.
If there is no cable connected to the IN management port (Step 9 above), both network status LEDs will turn ff.	If the Patch Panel is configured for Dynamic Host Control Protocol (DHCP) address assignment and a cable is NOT connected to the IN management port on the rear of the panel, the panel status LED will blink green.
If the DPoE™ Power Patch Panel is configured for DHCP address assignment (default factory setting), the network status LED above the IN management port will stay amber and the network status LED above the OUT management port will turn off. This indicates that the panel is actively requesting addressing information from the network. Once this information is received (this could take up to a minute), the network status LED above the IN management port will turn green.	If the DPoE™ Power Patch Panel is configured for DHCP address assignment (default factory setting), the panel status LED will flash amber. This indicates that the panel is actively requesting addressing information from the network. Once this information is received (this could take up to a minute), the panel status LED will flash green as power is applied to the unit. (See page 5, <i>Figure 1: DPoE™ Power Patch Panel (Front View)</i> and page 6, <i>Figure 2: DPoE™ Power Patch Panel (Rear View)</i> for a graphical view of the LEDs on the DPoE™ Power Patch Panel.)
If the panel were set to static IP addressing rather than DHCP, the network status LED above the IN management port will immediately turn green.	If the panel were set to static IP addressing rather than DHCP, the panel status LED will flash green and continue flashing as long as power is applied to the unit.

TECHNICAL SPECIFICATIONS

Dimensions:	24 port 1.72"H x 19.0"W x 5.08"D (43.7mm x 482.6mm x 129.0mm) 1RU
Input Voltage Range:	46VDC to 57VDC
Typical per port power output	IEEE 802.3af-2003 compliant power, 16.1 watts/port (46V _{OUT} DC @ 350mA)
Maximum overall power consumption	490 Watts (57V _{IN} DC @ 8.6 A)
Mounting Option:	Mounts to standard EIA 19" rack or 23" rack when used with panel extender brackets (<i>PANDUIT</i> part number PEB1). Extender brackets are <u>not included</u> with the DPoE™ Power Patch Panel.
Packaging	See page 8, <i>Table 2: Package Contents</i>

GLOSSARY

AWG	American Wire Gauge
DHCP	Dynamic Host Configuration Protocol
EM	Element Manager
IEEE	Institute of Electrical and Electronic Engineers
IP	Internet Protocol
LED	Light-Emitting Diode
MAC	Media Access Control
MHz	Megahertz
NMS	Network Management System
o.d.	Outside Diameter
PC	Personal Computer
PD	Powered Device
PoE	Power Over Ethernet
SNMP	Simplified Network Management Protocol
UPS	Uninterruptible Power Supply
V2C	SNMP Version 2 Communications
VDC	Volts – Direct Current
