

EG21 and EGS21 Series Electric Gage and Swichgage® Installation for Pressure, Temperature, Fuel Level, Voltmeter and Ammeter

IMPORTANT NOTICE FOR ALL EG21 ELECTRIC GAGES AND EGS21 ELECTRIC SWICHGAGES FOR 24VDC AND 32VDC APPLICATIONS

A change in the dial illumination circuit has made it necessary to change the external wiring harness. If you use the incorrect wiring harness, irreparable damage will occur to the gage mechanism.

The table below lists correct wire harness assemblies for units by manufacturing date. For date code R1 (January 1996) or earlier (Q12, Q11, etc.) the wire harness can be identified by P/N and by BLACK shrink tubing on the YELLOW wire. For date code R1 (February 1996) and later (R3, R4, etc.) the wire harness can be identified by P/N and by RED shrink tubing on the YELLOW wire.

Date Code R1 or Earlier	Date Code R2 or Later
05004546	05006166
05004547	05006167
05004548	05006168
05004549	05006169
05004550	05006170
05004551	05006171
05004552	05006172

If dial illumination is NOT required, either wire harness can be used on any date code, if the YELLOW wire is NOT connected.

Wire/Connector Assembly

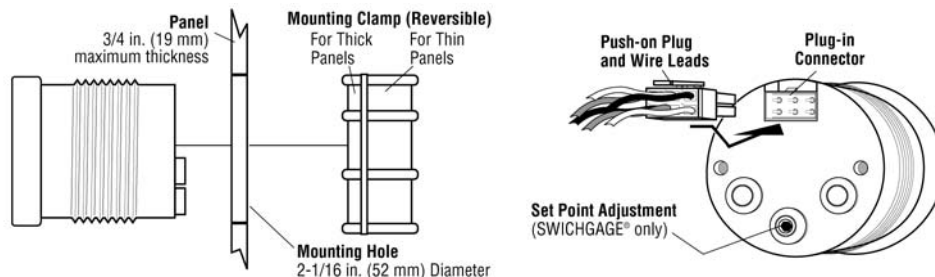
NOTE: EG21 Series gage and EGS21 Series Swichgage movement and illumination require 12VDC to function. For 24 or 32 volt systems, voltage converters are built into the electrical wire/connector assembly and supplied with instrument.

Listed below are replacement part numbers for all wire/connector assemblies. Voltage converter included for 24 and 32 volt. Specify part number when ordering.

	12 VDC	24 VDC	32 VDC
EG21P / T / F	05004506	05006166 (05004546)*	05006167 (05004547)*
EGS21P / T / F	05004507	05006168 (05004548)*	05006169 (05004549)*
EG21AM	05004505	05006170 (05004550)*	05006171 (05004551)*
EGS21AM	05004504	05006172 (05004552)*	—
EG21VM	05004508	05004508	—
EGS21VM	05004504	05004504	—

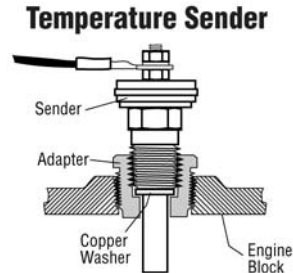
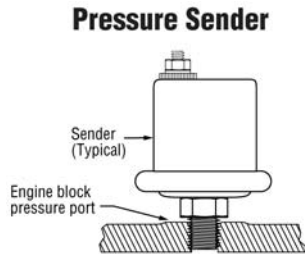
* For gages with date code R1 (January 1996) or earlier (Q12, Q11, etc.,) specify part number shown in parenthesis.

Gage Installation

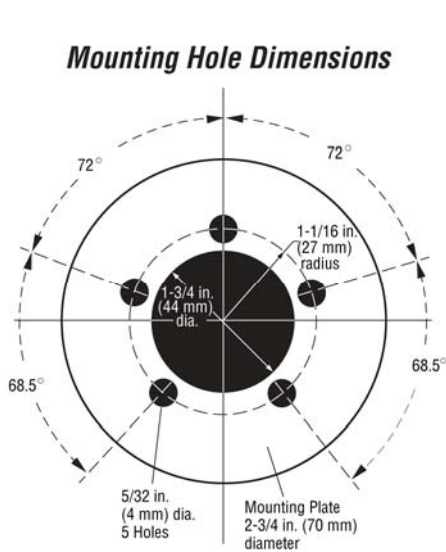


Sender Installation

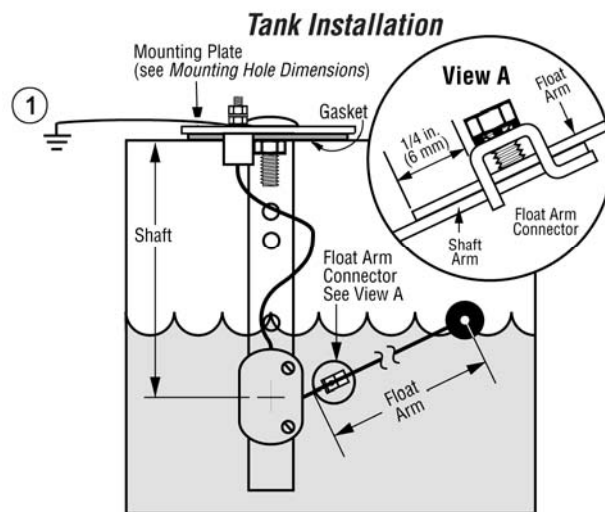
CAUTION: Do not use sender body to tighten.
If sealant tape or pipe dope is used on the pressure sender, be sure that the tape or dope does not plug the sender's orifice.



CAUTION: Extreme caution must be used in handling or working on or around the fuel tank. It must be worked on only in a **WELL VENTILATED** area. Keep all flame and hot materials away from it. Do not smoke while working on or around the tank. Avoid sliding or dragging the tank, or other actions which may cause a spark.



Fuel Level Sender



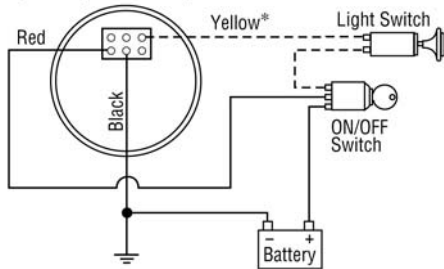
NOTE: When installing the fuel sender in a non-metallic tank using a single wire sender, another wire must be added from one of the sender mounting bolts to the battery ground (negative post). See ① in the 'Tank Installation' illustration above.

Warranty - A limited warranty on materials and workmanship is given with this FW Murphy product. A copy of the warranty may be viewed or printed by going to www.fwmurphy.com/support/warranty.htm

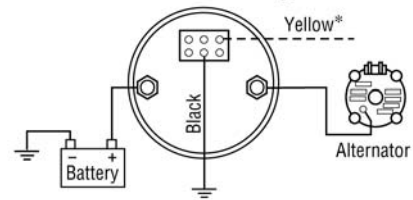
Basic Wiring

WARNING: Disconnect battery negative cable before wiring or service.

Pressure, Temperature, Fuel Level and Voltmeter Gage



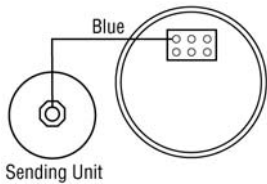
Ammeter Gage



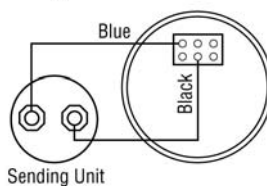
*Yellow wire is optional for gage illumination and does not need to be connected for gage to operate.

Sender Wiring

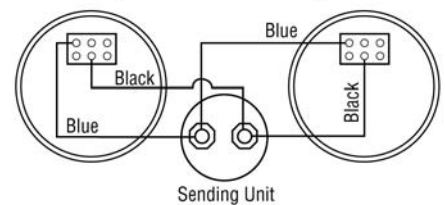
Grounded Sender



Ungrounded Sender



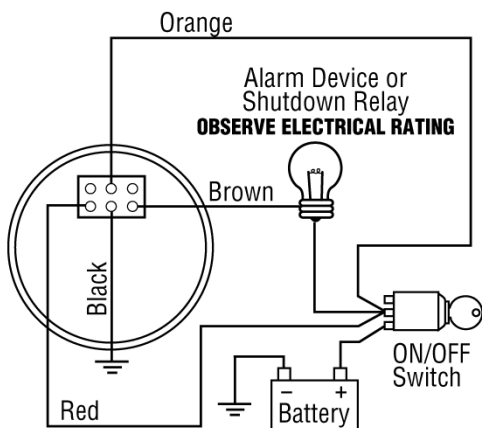
Dual Gages with Dual Gage Sender



Swichgage Wiring

WARNING: DISCONNECT BATTERY NEGATIVE CABLE BEFORE WIRING OR SERVICE.

CAUTION: Connecting full Battery potential to the brown wire can damage the Swichgage. Shutdown circuit is rated for 300 mA continuous, 900 mA inrush. Circuit rounds out at set point.

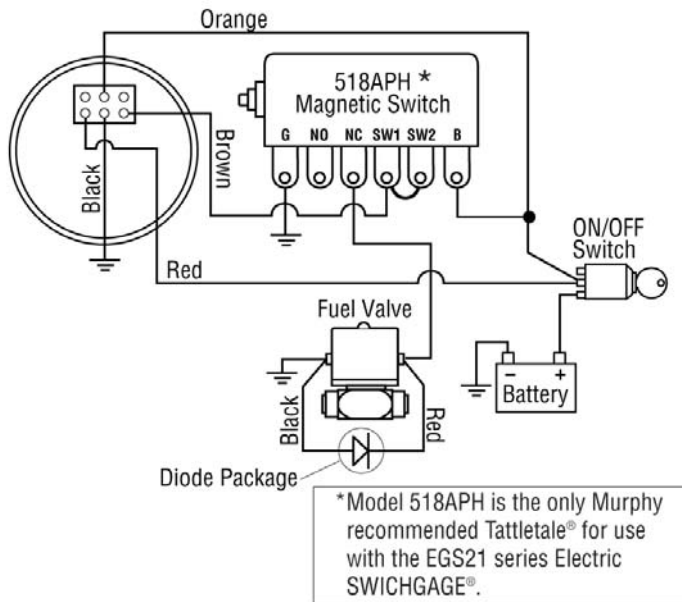


Warranty - A limited warranty on materials and workmanship is given with this FW Murphy product. A copy of the warranty may be viewed or printed by going to www.fwmurphy.com/support/warranty.htm

CAUTION: Devices containing solid state components can be damaged or caused to malfunction when used in systems which incorporate inductive loads (e.g. relays, solenoids, etc.) that can generate voltage spikes.

To reduce the potential for this type of damage, install a flyback or clamping diode across all inductive loads (see wiring diagram below).

Use Murphy diode package 65-00-0343 or equivalent. A typical diode is 1N4005 which is readily available from commercial sources. Failures of this type are not covered by our Limited Warranty.



FW MURPHY
P.O. Box 470248
Tulsa, Oklahoma 74147 USA
+1 918 317 4100 Fax: +1 918 317 4266
E-mail: sales@fwmurphy.com

INDUSTRIAL PANEL DIVISION
Fax: +1 918 317 4124
E-mail: ipdsales@fwmurphy.com

MURPHY POWER IGNITION
Web site: www.murphy-pi.com

www.fwmurphy.com

CONTROL SYSTEMS & SERVICES DIVISION
P.O. Box 1819
Rosenberg, Texas 77471 USA
Phone: +1 281 633 4500 Fax: +1 281 633 4588
E-mail: sales@fwmurphy.com

FRANK W. MURPHY, LTD
Church Rd Laverstock
Salisbury SP1 1QZ UK
Phone: +44 172 241 0055 Fax: +44 172 241 0088
E-mail: sales@fwmurphy.co.uk
Web site: www.fwmurphy.co.uk

COMPUTRONIC CONTROLS, LTD
41 - 43 Railway Terrace Nechells
Birmingham B7 5NG UK
Phone: +44 121 327 8500 Fax: +44 121 327 8501
E-mail: info@computroniccontrols.com
Web site: www.computroniccontrols.com

FW MURPHY INSTRUMENTS (HANGZHOU) CO. LTD
77 23rd Street
Hangzhou Economic & Technological Development Area
Hangzhou, Zhejiang 310018 China
Phone: +86 571 8788 6060 Fax: +86 571 8684 8878



Printed in U.S.A.

Warranty - A limited warranty on materials and workmanship is given with this FW Murphy product. A copy of the warranty may be viewed or printed by going to www.fwmurphy.com/support/warranty.htm