


Passport 4430, 4450 and 4455 Installation Instructions for the Release 4.0, 16 MB Flash Memory

This instruction sheet will guide you through installing the Release 4.0, 16 MB Flash Memory SIMM in the Ethernet Base Module (EBM), of the Passport 4430, 4450 and 4455. This SIMM includes the Release 4.0 boot code.

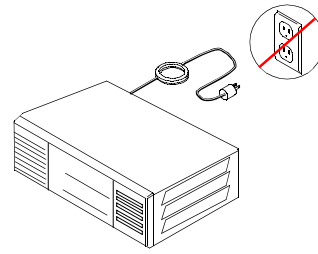
There are two SIMMs that can be used to upgrade the Passport:

- 16 MB Flash SIMM (NTJ778AA) - used in the Passport 4430/4450
- 16 MB Flash SIMM (NTJ779AA) - used in the Passport 4455

Note: Both SIMMs are identical in appearance; be sure to check the PEC number (NTJxxxAA) that is printed on the label to ensure you have the correct SIMM for the EBM you are using. If the incorrect SIMM is used, the system will not work.

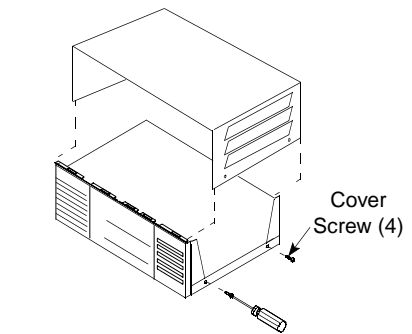
	Caution: The Passport contains electrostatic sensitive components which may suffer damage due to static discharge. Either wear a grounded wrist strap or ground yourself by touching the chassis.
---	--

1. Remove the power from the unit.

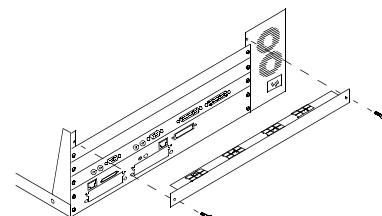


2. Remove the four (4) cover screws (two (2) on each side of the unit).

3. Slide the cover toward the rear of the unit and lift off.

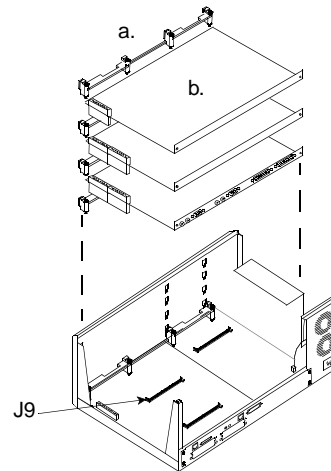


4. Disconnect any external cables that may be connected to the unit, and remove any expansion module rear panels and blank panels (if no expansion modules are present, proceed with step 6).



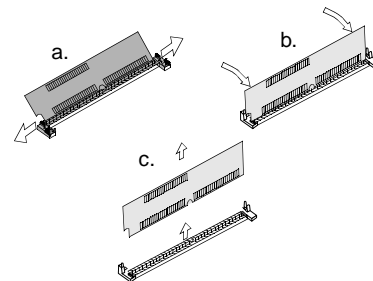
5. Remove the expansion modules by following this procedure:

- a. Take out the top plastic retainer from the chassis by lifting up and then pulling out. (Units with the redundant power supply will require loosening of the front panel "L" brackets in order to remove the top retainer.)
- b. Carefully lift the expansion module up and out (avoid excessive bending). Repeat a. and b. for each expansion module.



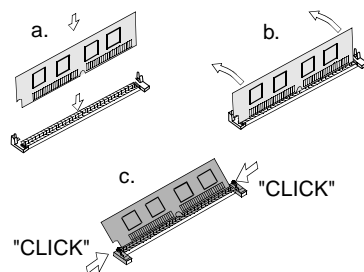
6. Remove a SIMM by following this procedure (from the front of the unit):

- a. Gently push out the connector locking flanges located at each side. (Refer to the figure in step 5 for location of J9 on the EBM.)
- b. Move the SIMM to a vertical position.
- c. Lift up the SIMM.



7. Install the 16 MB Flash SIMM in the J9 connector (refer to the figure in step 5 for location on the EBM) by following this procedure:

- a. Insert the SIMM into the connector.
- b. Gently push down and then back on the SIMM.
- c. The SIMM will "click" into the connector locking flanges.



8. Reassemble the unit by reversing steps 1 through 5.