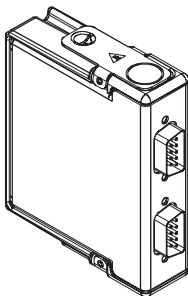


# OPERATING INSTRUCTIONS

## NI 9852

### 2-Port, Low-Speed/Fault-Tolerant CAN Module



These operating instructions describe how to use the National Instruments (NI) 9852 module. For information about installing, configuring, and programming your system, refer to your system documentation. The NI 9852 module requires the NI 985x software (version 1.2 or higher) to be installed. The latest version of the NI 985x software is located at [ni.com/downloads](http://ni.com/downloads).



**Note** The safety guidelines and specifications in this document are specific to the NI 9852. The other components in your system may not meet the same safety ratings and specifications. Refer to the documentation for each component in your system to determine the safety ratings and specifications for the entire system.

## Safety Guidelines

---

Operate the NI 9852 only as described in these operating instructions.



**Hot Surface** This icon denotes that the component may be hot. Touching this component may result in bodily injury.

## Safety Guidelines for Hazardous Locations

The NI 9852 is suitable for use in Class I, Division 2, Groups A, B, C, D, and T4 hazardous locations; Class 1, Zone 2, AEx nA II T4 and Ex nA II T4 hazardous locations; and nonhazardous locations only. Follow these guidelines if you are installing the NI 9852 in a potentially explosive environment. Not following these guidelines may result in serious injury or death.



**Caution** Do *not* disconnect I/O-side wires or connectors unless power has been switched off or the area is known to be nonhazardous.



**Caution** Do *not* remove modules unless power has been switched off or the area is known to be nonhazardous.



**Caution** Substitution of components may impair suitability for Class I, Division 2.



**Caution** For Zone 2 applications, install the CompactRIO system in an enclosure rated to at least IP 54 as defined by IEC 60529 and EN 60529.



**Caution** For Zone 2 applications, install a protection device between the CAN signals and the NI 9852 CAN pins. The device must prevent the CAN Port-to-COM voltage from exceeding 55 V if there is a transient overvoltage condition.

## Special Conditions for Hazardous Locations Use in Europe

This equipment has been evaluated as EEx nA II T4 equipment under DEMKO Certificate No. 03 ATEX 0324020X. Each module is marked  $\text{Ex}$  II 3G and is suitable for use in Zone 2 hazardous locations.

## Wiring the NI 9852

---

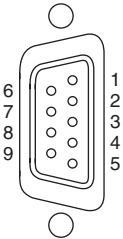
The NI 9852 has two 9-pin male D-Sub connectors that provide connections to a CAN bus. Each port on the NI 9852 has pins for CAN\_H and CAN\_L, to which you connect the CAN bus signals. These signals should be connected using twisted-pair cable.

Each port has two isolated common pins (COM) that are internally connected to the isolated reference of the module and serve as the reference ground for CAN\_H and CAN\_L. Connect the CAN bus reference ground (sometimes referred to as CAN\_V-) to the COM pin. Each port also has an optional shield pin, SHLD, that can be connected to a shielded CAN cable. Connecting SHLD may improve signal integrity and EMC performance in a noisy environment.

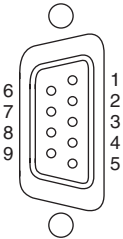
Both of the ports on the NI 9852 require an external power supply of +8 V to +36 V to operate. Supply power from the CAN bus to the  $V_{SUP0}$  pin on CAN0, and the  $V_{SUP1}$  pin on CAN1.

Pinouts for CAN0 and CAN1 of the NI 9852 are listed in Table 1 and Table 2.

**Table 1.** Pin Assignments for CAN0

<b>Connector</b>	<b>Pin</b>	<b>Signal</b>
	1	No Connection (NC)
	2	CAN_L
	3	COM0
	4	NC
	5	SHLD
	6	COM0
	7	CAN_H
	8	NC
	9	$V_{SUP0}$

**Table 2.** Pin Assignments for CAN1

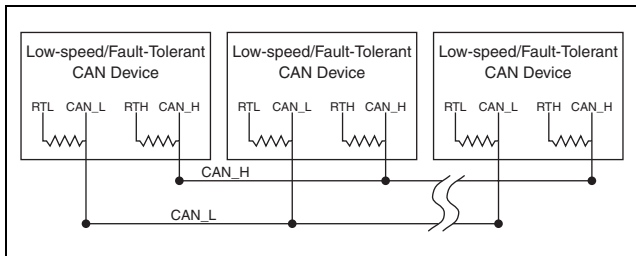
<b>Connector</b>	<b>Pin</b>	<b>Signal</b>
	1	No Connection (NC)
	2	CAN_L
	3	COM1
	4	NC
	5	SHLD
	6	COM1
	7	CAN_H
	8	NC
	9	V <sub>SUP1</sub>

## CAN Bus Topology and Termination

A CAN bus consists of two or more CAN nodes cabled together. The CAN\_H and CAN\_L pins of each node are connected to the main CAN bus cable through a short connection known as a “stub.” The pair of signal wires, CAN\_H and CAN\_L constitutes a transmission line. Every device on a low-speed/fault-tolerant CAN network requires a termination resistor for each CAN data line:  $R_{RTH}$  for CAN\_H and  $R_{RTL}$  for CAN\_L.

Figure 1 shows a simplified diagram of a low-speed/fault-tolerant CAN bus with termination resistor placements.

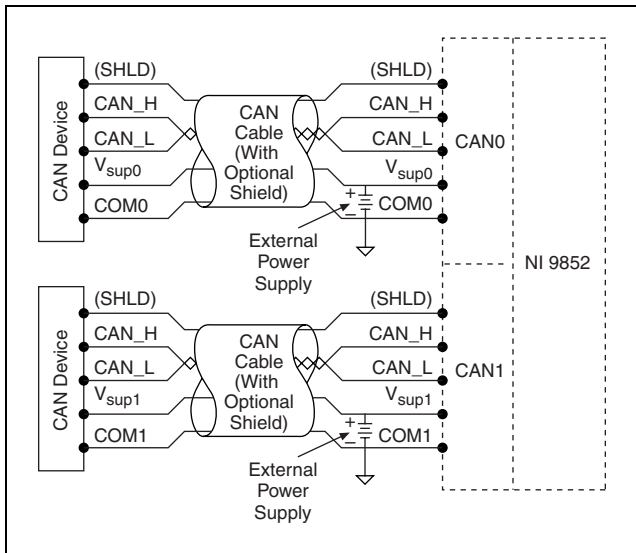




**Figure 1.** CAN Bus Topology and Termination Resistor Locations

## Connecting a CAN Bus to the NI 9852

Each port of the NI 9852 can be connected to any location on a CAN bus. Figure 2 shows one example of the connection of CAN0 of the NI 9852 directly to one CAN node, and CAN1 directly to another CAN node. CAN0 and CAN1 require an external power supply on the CAN bus.



**Figure 2.** Connecting Both Ports of the NI 9852 to CAN Buses

# Cabling Requirements for NI 9852

---

This section deals with cabling specifications, termination resistors, cable lengths, and the number of CAN nodes that can exist in a system.

## Cable Specifications

Cables should meet the physical medium requirements specified in ISO 11898, shown in Table 3. Belden cable (3084A) meets all of those requirements, and should be suitable for most applications.

**Table 3.** Specifications for Characteristics of a CAN\_H and CAN\_L Pair of Wires

Characteristic	Value
Length-related resistance	90 m $\Omega$ /m nominal
Length-related capacitance: CAN_L and ground, CAN_H and ground, CAN_L and CAN_H	30 pF/m nominal

## Determining the Necessary Termination Resistance for the Board

Unlike High-Speed CAN, Low-Speed/Fault-Tolerant CAN requires termination at the Low-Speed/Fault-Tolerant CAN transceiver instead of on the cable itself. Termination requires two resistors, RTH for CAN\_H and RTL for CAN\_L. This configuration allows the Philips Fault-Tolerant CAN transceiver to detect and recover from bus faults. It is important to determine the overall termination of the existing network, or the termination of the individual device, before connecting it to a Low-Speed/Fault-Tolerant port. Philips recommends an overall RTH and RTL termination of 100 to 500  $\Omega$  (each) for a properly terminated low-speed network.

Termination on the low-speed/fault-tolerant ports of the NI 9852 is set through the NI 985x software to either 1 k $\Omega$  or 5 k $\Omega$ .

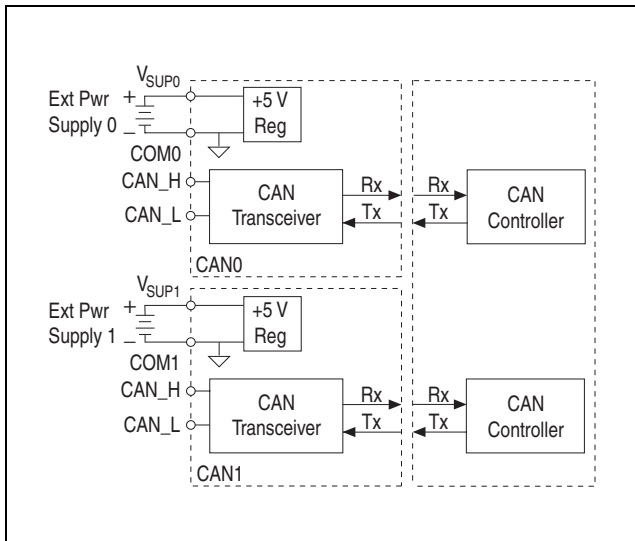
## Number of CAN Nodes

The maximum number of nodes depends on the electrical characteristics of the nodes on the network. If all of the nodes meet the requirements of Low-Speed/Fault-Tolerant CAN, up to 32 nodes may be connected to the bus.

## NI 9852 Hardware Overview

---

The NI 9852 has two full-featured, independent CAN ports that are isolated from each other, and from the other modules in the system. Each port of the NI 9852 has a Philips SJA1000 CAN controller that is CAN 2.0B-compatible and fully supports both 11-bit and 29-bit identifiers. Each port also has a Philips TJA1054A Low-Speed/Fault-Tolerant CAN that is fully compatible with the ISO 11898 standard and supports baud rates up to 125 Kbps.



**Figure 3.** NI 9852 Hardware Overview

## Sleep Mode (CompactRIO Only)

You can enable sleep mode for the CompactRIO system in software. In sleep mode, the system consumes less power and may dissipate less heat. Typically, when a system is in sleep mode, you cannot communicate with the modules. Refer to the [Specifications](#) section for more information about power consumption and thermal dissipation.

This system sleep mode should not be confused with the NI 9852 Transceiver Mode Sleep property, which sets only the CAN port to sleep mode. Refer to the *FPGA Module* topic in *LabVIEW Help* for more information on the Transceiver Mode property.

# Specifications

---

The following specifications are typical for the range  $-40$  to  $70$  °C unless otherwise noted.

## Low-Speed/Fault-Tolerant CAN Characteristics

Transceiver.....	Philips TJA1054A
Max baud rate .....	125 Kbps
CAN_H, CAN_L bus lines	
voltage.....	$-27$ to $+40$ VDC
Supply voltage range ( $V_{SUP0}/V_{SUP1}$ )	
CAN0 .....	$+8$ to $+36$ VDC
CAN1 .....	$+8$ to $+36$ VDC
$R_{RTH}$ .....	$1.11\text{ k}\Omega \pm 0.5\%$ or $4.99\text{ k}\Omega \pm 0.5\%$
$R_{RTL}$ .....	$1.11\text{ k}\Omega \pm 0.5\%$ or $4.99\text{ k}\Omega \pm 0.5\%$
MTBF .....	1,052,836 hours at $25$ °C; Bellcore Issue 6, Method 1, Case 3, Limited Part Stress Method





**Note** Contact NI for Bellcore MTBF specifications at other temperatures or for MIL-HDBK-217F specifications.

## Power Requirements

Power consumption from chassis

Active mode

Transmitting..... 400 mW max

Receiving ..... 400 mW max

Sleep mode ..... 25  $\mu$ W max

Thermal dissipation (at 70 °C)

Active mode ..... 1.5 W max

Sleep mode ..... 1.2 W max

## Physical Characteristics

If you need to clean the module, wipe it with a dry towel.

Weight..... Approx. 144 g (5.0 oz)

# Safety

## Maximum Voltage<sup>1</sup>

Connect only voltages that are within these limits.

Port-to-COM..... –27 to +40 VDC max,  
Measurement Category I

Measurement Category I is for measurements performed on circuits not directly connected to the electrical distribution system referred to as *MAINS* voltage. *MAINS* is a hazardous live electrical supply system that powers equipment. This category is for measurements of voltages from specially protected secondary circuits. Such voltage measurements include signal levels, special equipment, limited-energy parts of equipment, circuits powered by regulated low-voltage sources, and electronics.



**Caution** Do not connect to signals or use for measurements within Measurement Categories II, III, or IV.

---

<sup>1</sup> The maximum voltage that can be applied or output between any port or  $V_{SUP}$  terminal and a COM terminal without creating a safety hazard.

## Isolation Voltages

### Port-to-port

Withstand.....	500 V <sub>rms</sub> , 5 s
Continuous .....	60 VDC, Measurement Category I

### Port-to-earth ground

Withstand.....	500 V <sub>rms</sub> , 5 s
Continuous .....	60 VDC, Measurement Category I

## Safety Standards

The NI 9852 is designed to meet the requirements of the following standards of safety for electrical equipment for measurement, control, and laboratory use:

- IEC 61010-1, EN 61010-1
- UL 61010-1, CSA 61010-1



**Note** For UL and other safety certifications, refer to the product label, or visit [ni.com/certification](http://ni.com/certification), search by model number or product line, and click the appropriate link in the Certification column.

## Hazardous Locations

U.S. (UL) .....	Class I, Division 2, Groups A, B, C, D, T4; Class I, Zone 2, AEx nA II T4
Canada (C-UL) .....	Class I, Division 2, Groups A, B, C, D, T4; Class I, Zone 2, Ex nA II T4
Europe (DEMKO).....	EEx nA II T4

## Environmental

CompactRIO modules are intended for indoor use only. For outdoor use, mount the CompactRIO system in a suitably rated enclosure. Refer to the installation instructions for the chassis you are using for more information about meeting these specifications.

Operating temperature .....	-40 to 70 °C
Storage temperature .....	-40 to 85 °C
Ingress protection.....	IP 40
Operating humidity .....	10 to 90% RH, noncondensing

Storage humidity.....	5 to 95% RH, noncondensing
Maximum altitude.....	2,000 m
Pollution Degree (IEC 60664).....	2

## Shock and Vibration

To meet these specifications, you must panel mount the CompactRIO system.

Operating vibration,  
random (IEC 60068-2-64) ..... 5 g<sub>rms</sub>, 10 to 500 Hz

Operating shock  
(IEC 60068-2-27)..... 30 g, 11 ms half sine,  
50 g, 3 ms half sine,  
18 shocks at 6 orientations

Operating vibration,  
sinusoidal (IEC 60068-2-6) ..... 5 g, 10 to 500 Hz

## Electromagnetic Compatibility

This product is designed to meet the requirements of the following standards of EMC for electrical equipment for measurement, control, and laboratory use:

- EN 61326 EMC requirements; Minimum Immunity
- EN 55011 Emissions; Group 1, Class A
- CE, C-Tick, ICES, and FCC Part 15 Emissions; Class A



**Note** For EMC compliance, operate this device according to product documentation.

## CE Compliance

This product meets the essential requirements of applicable European Directives, as amended for CE marking, as follows:

- 2006/95/EC; Low-Voltage Directive (safety)
- 2004/108/EC; Electromagnetic Compatibility Directive (EMC)



**Note** Refer to the Declaration of Conformity (DoC) for this product for any additional regulatory compliance information. To obtain the DoC for this product, visit [ni.com/certification](http://ni.com/certification), search by model number or product line, and click the appropriate link in the Certification column.

## Environmental Management

National Instruments is committed to designing and manufacturing products in an environmentally responsible manner. NI recognizes that eliminating certain hazardous substances from our products is beneficial not only to the environment but also to NI customers.

For additional environmental information, refer to the *NI and the Environment* Web page at [ni.com/environment](http://ni.com/environment). This page contains the environmental regulations and directives with which NI complies, as well as other environmental information not included in this document.

# Waste Electrical and Electronic Equipment (WEEE)



**EU Customers** At the end of their life cycle, all products *must* be sent to a WEEE recycling center. For more information about WEEE recycling centers and National Instruments WEEE initiatives, visit [ni.com/environment/weee.htm](http://ni.com/environment/weee.htm).

## 电子信息产品污染控制管理办法（中国 RoHS）



**中国客户** National Instruments 符合中国电子信息产品中限制使用某些有害物质指令 (RoHS)。关于 National Instruments 中国 RoHS 合规性信息，请登录 [ni.com/environment/rohs\\_china](http://ni.com/environment/rohs_china)。(For information about China RoHS compliance, go to [ni.com/environment/rohs\\_china](http://ni.com/environment/rohs_china).)



## National Instruments Contact Information

---

National Instruments corporate headquarters is located at 11500 North Mopac Expressway, Austin, Texas, 78759-3504. National Instruments also has offices located around the world to help address your support needs. For telephone support in the United States, create your service request at [ni.com/support](http://ni.com/support) and follow the calling instructions or dial 512 795 8248. For telephone support outside the United States, contact your local branch office:

Australia 1800 300 800, Austria 43 662 457990-0,  
Belgium 32 (0) 2 757 0020, Brazil 55 11 3262 3599,  
Canada 800 433 3488, China 86 21 5050 9800,  
Czech Republic 420 224 235 774, Denmark 45 45 76 26 00,  
Finland 358 (0) 9 725 72511, France 01 57 66 24 24,  
Germany 49 89 7413130, India 91 80 41190000,  
Israel 972 3 6393737, Italy 39 02 41309277, Japan 0120-527196,  
Korea 82 02 3451 3400, Lebanon 961 (0) 1 33 28 28,  
Malaysia 1800 887710, Mexico 01 800 010 0793,  
Netherlands 31 (0) 348 433 466, New Zealand 0800 553 322,  
Norway 47 (0) 66 90 76 60, Poland 48 22 3390150,  
Portugal 351 210 311 210, Russia 7 495 783 6851,  
Singapore 1800 226 5886, Slovenia 386 3 425 42 00,

South Africa 27 0 11 805 8197, Spain 34 91 640 0085,  
Sweden 46 (0) 8 587 895 00, Switzerland 41 56 2005151,  
Taiwan 886 02 2377 2222, Thailand 662 278 6777,  
Turkey 90 212 279 3031, United Kingdom 44 (0) 1635 523545

National Instruments, NI, ni.com, and LabVIEW are trademarks of National Instruments Corporation. Refer to the *Terms of Use* section on [ni.com/legal](http://ni.com/legal) for more information about National Instruments trademarks. Other product and company names mentioned herein are trademarks or trade names of their respective companies. For patents covering National Instruments products, refer to the appropriate location: **Help » Patents** in your software, the `patents.txt` file on your media, or [ni.com/patents](http://ni.com/patents).

© 2006–2008 National Instruments Corp. All rights reserved.