

# *User Guide*

## *VT1000 Series Voice Terminal*



### **Important**

This guide contains information related to product warranty, regulatory matters, and software licenses.



## Safety and Regulatory Information

**WARNING:** TO PREVENT FIRE OR SHOCK HAZARD, DO NOT EXPOSE THIS DEVICE TO RAIN OR MOISTURE. THE DEVICE SHALL NOT BE EXPOSED TO DRIPPING OR SPLASHING AND NO OBJECTS FILLED WITH LIQUIDS, SUCH AS VASES, SHALL BE PLACED ON THE DEVICE.

**CAUTION:** TO ENSURE REGULATORY AND SAFETY COMPLIANCE, USE ONLY THE PROVIDED POWER AND INTERFACE CABLES. TO PREVENT ELECTRICAL SHOCK, DO NOT USE THIS PLUG WITH AN EXTENSION CORD, RECEPTACLE, OR OTHER OUTLET UNLESS THE BLADES CAN BE FULLY INSERTED TO PREVENT BLADE EXPOSURE.

**CAUTION:** DO NOT OPEN THE UNIT. DO NOT PERFORM ANY SERVICING OTHER THAN THAT CONTAINED IN THE INSTALLATION AND TROUBLESHOOTING INSTRUCTIONS UNLESS YOU ARE QUALIFIED TO DO SO. REFER ALL SERVICING TO QUALIFIED SERVICE PERSONNEL.

It is recommended that the customer install an AC surge arrester in the AC outlet to which this device is connected. This is to avoid damaging the equipment by local lightning strikes and other electrical surges.



This product was qualified under test conditions that included the use of the supplied cable between system components. To be in compliance with regulations, the user must use this cable and install it properly.



*Different types of cord sets may be used for connections to the main supply circuit. Use only a main line cord that complies with all applicable product safety requirements of the country of use.*

Installation of this product must be in accordance with national wiring codes.

To prevent overheating, do not block the ventilation holes on the sides of the Motorola voice terminal.

Wipe the Motorola voice terminal with a clean, dry cloth. Never use cleaning fluid or similar chemicals. Do not spray cleaners directly on the unit or use forced air to remove dust.

### Important VoIP Service Information

Any services provided through this equipment:

- Are not intended to replace or be a substitute for primary line voice services or Plain Old Telephone Service (POTS)
- Are not meant to provide guaranteed 911 or E911 services or to permit access to 411 directory assistance services

Your service provider, not Motorola, is responsible for the provision of VoIP telephony services through this equipment. Motorola shall not be liable for, and expressly disclaims, any direct or indirect liabilities, damages, losses, claims, demands, actions, causes of action, risks or harms arising from or related to the services provided through this equipment.

**IMPORTANT:** You CANNOT make any calls using this VoIP device if your broadband connection is not functioning properly or if you lose electrical power.

### FCC Compliance

This equipment has been tested and found to comply with the limits for a Class B digital device, pursuant to Part 15 of the FCC Rules. These limits are designed to provide reasonable protection against harmful interference when the equipment is operated in a residential environment. This equipment generates, uses, and can radiate radio frequency energy and, if not installed and used in accordance with the instructions, may cause harmful interference to radio communications. However, there is no guarantee that interference will not occur in a particular installation. If this equipment does cause harmful interference to radio or television reception, which can be determined by turning the equipment off and on, the user is encouraged to try to correct the interference by one of the following measures:

- Re-orient or relocate the receiving antenna
- Increase the separation between the equipment and receiver
- Connect the equipment into an outlet on a circuit different from that to which the receiver is connected.
- Consult the dealer or an experienced radio/TV technician for help.

Changes or modification not expressly approved by the party responsible for compliance could void the user's authority to operate the equipment.

### Canadian Compliance

This Class B digital device complies with Canadian ICES-003. Cet appareil numérique de la classe B est conforme à la norme NMB-003 du Canada.



## FCC Declaration of Conformity

According to 47CFR, Parts 2 and 15 for Class B Personal Computers and Peripherals; and/or CPU Boards and Power Supplies used with Class B Personal Computers, Motorola BCS, 101 Tournament Drive, Horsham, PA 19044, 1-215-323-1000, declares under sole responsibility that the product identifies with 47CFR Part 2 and 15 of the FCC Rules as a Class B digital device. Each product marketed is identical to the representative unit tested and found to be compliant with the standards. Records maintained continue to reflect the equipment being produced can be expected to be within the variation accepted, due to quantity production and testing on a statistical basis as required by 47CFR 2.909. Operation is subject to the following condition: This device must accept any interference received, including interference that may cause undesired operation. The above named party is responsible for ensuring that the equipment complies with the standards of 47CFR, Paragraph 15.101 to 15.109.

## International Declaration of Conformity

We, Motorola, Inc. Broadband Communications Sector  
101 Tournament Drive  
Horsham, PA, U.S.A.

declare under our sole responsibility that the:

Motorola VT1003, VT1005, VT1003v, and VT1005v voice terminals

to which this declaration relates is in conformity with one or more of the following standards:

EN55022	EN55024	CISPR-22	CISPR-24	ETSI EN300 386
EN60950	EN61000-3-2	EN61000-3-3	IEC 60950	

the following provisions of the Directive(s) of the Council of the European Union:

EMC Directive 89/336/EEC	Low Voltage Directive 73/23/EEC	Directive 93/68/EEC
--------------------------	---------------------------------	---------------------

Copyright © 2005 by Motorola, Inc.

All rights reserved. No part of this publication may be reproduced in any form or by any means or used to make any derivative work (such as translation, transformation or adaptation) without written permission from Motorola, Inc.

Motorola reserves the right to revise this publication and to make changes in content from time to time without obligation on the part of Motorola to provide notification of such revision or change. Motorola provides this guide without warranty of any kind, either implied or expressed, including, but not limited to, the implied warranties of merchantability and fitness for a particular purpose. Motorola may make improvements or changes in the product(s) described in this manual at any time.

MOTOROLA, the Stylized M Logo, and SURFboard are registered in the US Patent & Trademark Office. Microsoft and Windows are registered trademarks of Microsoft Corporation. Macintosh is a registered trademark of Apple Computer, Inc. Netscape Navigator is a registered trademark of Netscape Communications Corporation. UNIX is a registered trademark of the Open Group in the United States and other countries. DOCSIS is a registered trademark of Cable Television Laboratories, Inc. All other product or service names are the property of their respective owners. © Motorola, Inc. 2005.

# Contents

<b>Introduction</b> .....	<b>1</b>
Sample Configuration Without A Home Network .....	2
Sample Wired Network With Calls Prioritized .....	3
Sample Wireless Network With Calls Prioritized .....	4
Sample Wired Network Without Calls Prioritized .....	5
Sample Wireless Network Without Calls Prioritized .....	6
Front Panel .....	7
Rear Panel .....	8
<b>Before You Begin</b> .....	<b>9</b>
Precautions .....	10
Signing Up for Service .....	10
<b>Installation</b> .....	<b>11</b>
Installation With A Single Computer .....	12
Network Installation With Calls Prioritized .....	14
Network Installation With Calls Not Prioritized .....	16
Connecting a Computer to Display the Configuration Pages .....	18
Basic Configuration .....	19
Advanced Configuration .....	22
Status .....	24
Help .....	25
<b>Troubleshooting</b> .....	<b>26</b>

<b>Frequently-Asked Questions .....</b>	<b>27</b>
<b>Glossary .....</b>	<b>30</b>
<b>Software License and Warranty .....</b>	<b>34</b>



### Introduction

A Motorola voice terminal (digital phone adapter) adds Voice over Internet Protocol (VoIP) connections for one or two telephones to any broadband Internet connection. The connection can be through either:

- A cable modem high-speed data service from a cable television company
- A digital subscriber line (DSL) service from a telephone company
- Other high-speed Internet connection

The VT1000 Series includes the following models, which collectively are referred to as a “Motorola voice terminal” in this guide:

**VT1003** Provide one telephone line

**VT1003v**

**VT1005** Provide two telephone lines

**VT1005v**

You can use a Motorola voice terminal with almost any:

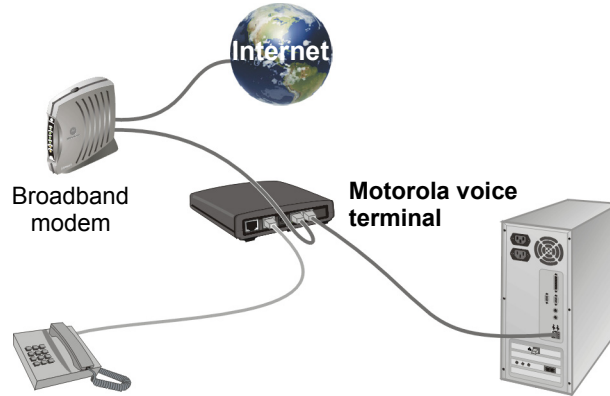
- Cable modem or DSL modem (broadband modem)
- Microsoft Windows<sup>®</sup>, Macintosh<sup>®</sup>, or UNIX<sup>®</sup> computer with a 10Base-T or 10/100Base-T Ethernet adapter
- Ethernet router or wireless access point

As shown in the illustrations on page 2 to page 6, the Motorola voice terminal can prioritize calls only if you connect it directly to your broadband modem.

### Sample Configuration Without A Home Network

You can connect a Motorola voice terminal to any cable modem or DSL modem. *Because the Motorola voice terminal is directly connected to your broadband modem, the Motorola voice terminal can prioritize voice calls over data traffic.* This helps ensure high-quality phone service:

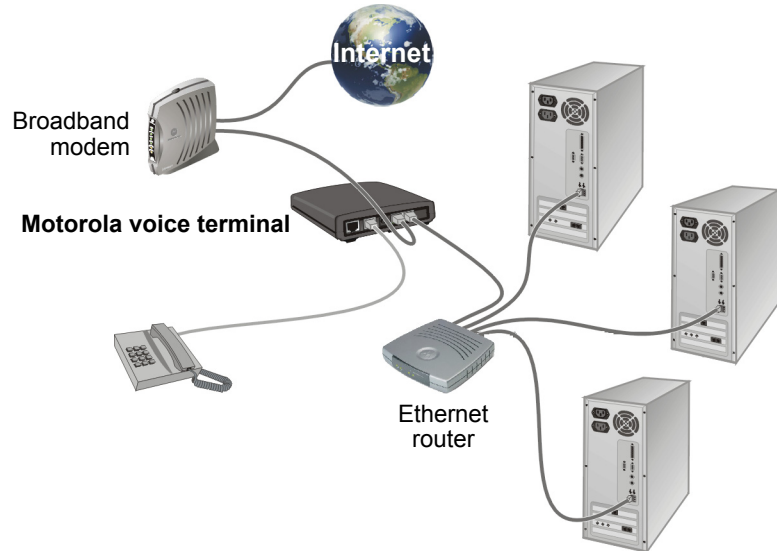
*For simplicity, not all cables are shown.*





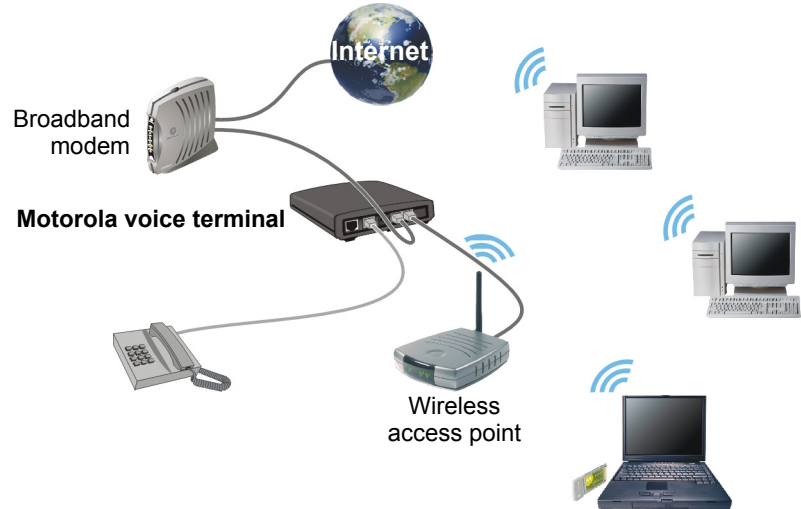
## Sample Wired Network With Calls Prioritized

You can connect any Ethernet router to your Motorola voice terminal. *Because the Motorola voice terminal is directly connected to your broadband modem, the Motorola voice terminal can prioritize voice calls over data traffic.* This helps ensure high-quality phone service:



## Sample Wireless Network With Calls Prioritized

You can connect any wireless router (access point) to your Motorola voice terminal. *Because the Motorola voice terminal is directly connected to your broadband modem, the Motorola voice terminal can prioritize voice calls over data traffic.* This helps ensure high-quality phone service:

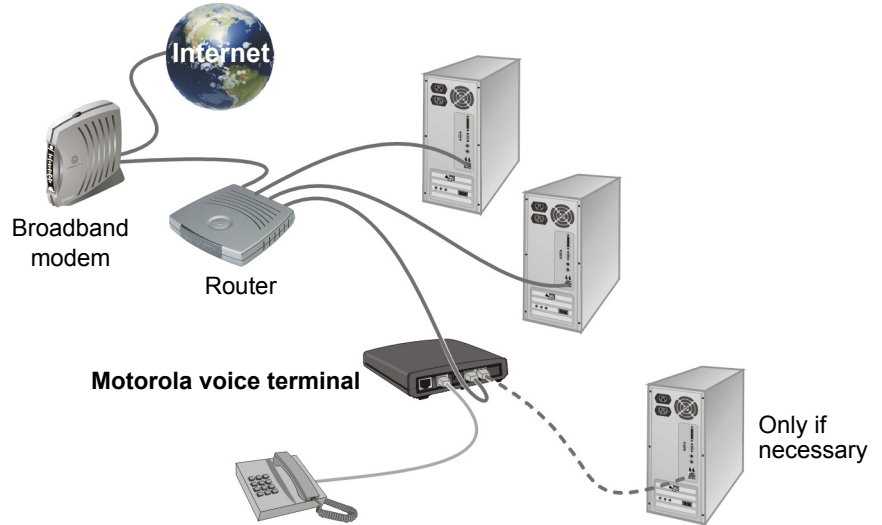


### Sample Wired Network Without Calls Prioritized

You can connect a Motorola voice terminal to any Ethernet router on a network having a high-speed Internet connection. *Because the Motorola voice terminal is not directly connected to your broadband modem, the Motorola voice terminal cannot prioritize voice calls over data traffic:*

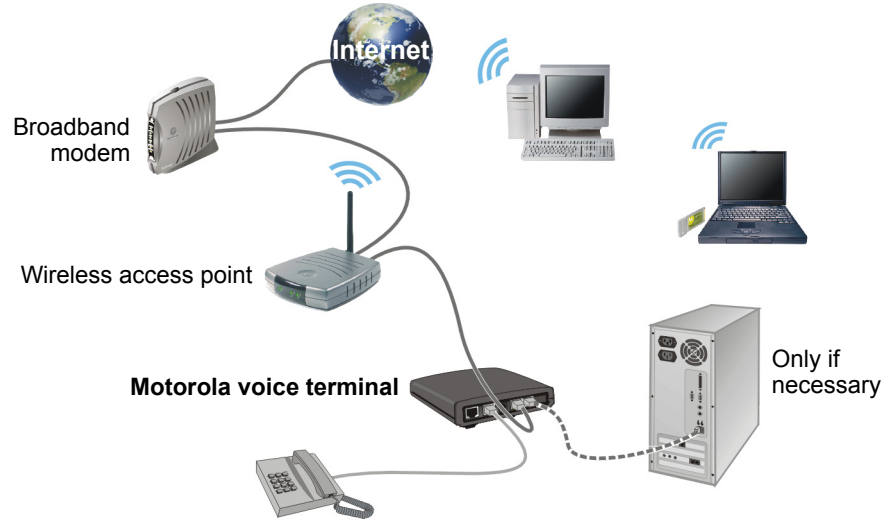
You may prefer this configuration if you already have a home network.

You may need to connect a computer to the Motorola voice terminal rear panel to configure the Motorola voice terminal. See [“Connecting a Computer to Display the Configuration Pages”](#) on page 18.



## Sample Wireless Network Without Calls Prioritized

You can connect a Motorola voice terminal to any wireless access point on a network having a high-speed Internet connection. *Because the Motorola voice terminal is not directly connected to your broadband modem, the Motorola voice terminal cannot prioritize voice calls over data traffic:*



You may prefer this configuration if you already have a wireless LAN.

You may need to connect a computer to the Motorola voice terminal rear panel to configure the Motorola voice terminal. See [“Connecting a Computer to Display the Configuration Pages”](#) on page 18.



### Front Panel

When your Motorola voice terminal is plugged in and operating normally, the POWER light on the front panel lights solid green.

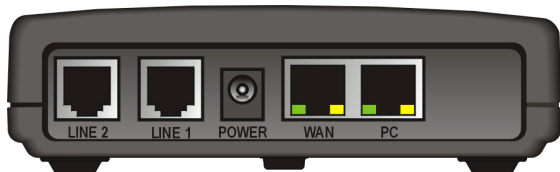
During start-up and image upgrades, as a [Troubleshooting](#) aid, the POWER light blinks:

<b>Blinks</b>	<b>Voice Terminal is</b>
<b>Once</b>	Performing its initial boot sequence
<b>Two</b>	Acquiring its network address
<b>Three</b>	Downloading its configuration profile from your VoIP provider
<b>Four</b>	Registering with your VoIP provider server
<b>Continuous Fast</b>	Downloading an image upgrade initiated by your VoIP provider

### Caution!



*Never unplug your Motorola voice terminal while its light is blinking continuously. Instead, allow the image upgrade to finish. If you unplug the Motorola voice terminal during an image upgrade, it may become inoperable.*



*Your Motorola voice terminal may appear slightly different than in the illustrations in this guide. Some models do not have every connector illustrated.*

## Rear Panel

The rear panel provides the following connectors:




Item	Type	Connects To
<b>LINE 2</b>	RJ-11	Telephone line two (on the VT1005 or VT1005v <i>only</i> )
<b>LINE 1</b>	RJ-11	Telephone line one
<b>POWER</b>	12 V	An adapter that you plug into an AC power outlet
<b>WAN</b>	RJ-45	Ethernet connector to your broadband modem, router, switch, or hub. (“WAN” means “wide area network”)
<b>PC</b>	RJ-45	Ethernet connector to a computer

The WAN and PC connectors each have two adjacent lights:

- The green light is on when the Ethernet connection is available. It blinks during data transfer over the port.
- The yellow light is on if there is a 100Base-T link and off for a 10Base-T link.

## Before You Begin

Before you begin the installation, check that you received the following items with your Motorola voice terminal:

<b>Item</b>		<b>Description</b>
<b>AC adapter and line cord</b>		Connects the Motorola voice terminal to an AC electrical outlet
<b>Ethernet cable</b>		Connects the WAN port on the Motorola voice terminal to a broadband modem (cable or DSL), router, or wireless access point Connects the LAN port on the Motorola voice terminal to a computer, router, or wireless access point

You also need:

- DSL, cable modem, broadband gateway, or other high-speed Internet connection
- One or two touch-tone telephones

You may need an additional 10/100Base-T category 3 or better straight-through Ethernet cable with RJ-45 terminators.

## Precautions

### Caution!



Contact your VoIP provider before connecting your Motorola voice terminal to your existing telephone wiring. Connect each LINE port to a telephone *only*; never to a traditional telephone service.

Postpone installation until there is no risk of thunderstorm or lightning activity in the area.

To prevent overheating the Motorola voice terminal, do not block the ventilation holes on its sides.

Do not open the Motorola voice terminal. *Refer all service to your VoIP provider.*

Wipe the Motorola voice terminal with a clean, dry cloth. Never use cleaning fluid or similar chemicals. Do not spray cleaners directly on the unit or use forced air to remove dust.

## Signing Up for Service

*To activate voice service, you need to provide the MAC address printed on the bar code label marked **MTA MAC ID** on the bottom of the Motorola voice terminal to your VoIP provider.*

*If you have a DSL modem, you need to obtain the Service Name, User Name, and Password from your DSL provider.*



## Installation

Depending on whether you have a single computer or a home network with multiple computers and a router or wireless access point, perform *one* of:

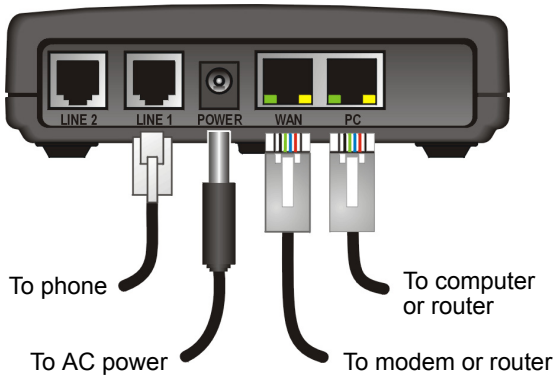
- [Installation With A Single Computer](#)
- [Network Installation With Calls Prioritized](#)
- [Network Installation With Calls Not Prioritized](#)

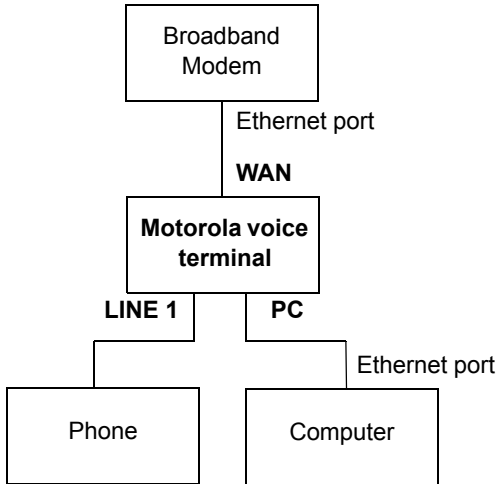
### Caution!



Contact your VoIP provider before connecting your Motorola voice terminal to existing phone wiring. Connect each LINE port to a telephone *only*; never to a traditional telephone service.

Be sure the LINE connectors are neither connected together nor connected to wall jacks on the same network.





## Installation With A Single Computer

To connect your Motorola voice terminal as shown in “[Sample Configuration Without A Home Network](#)” on page 2:

- 1** Be sure the Motorola voice terminal is unplugged. Be sure power is off to your broadband modem (cable or DSL) and computer.
- 2** Connect one end of an Ethernet cable (RJ-45) to the Ethernet connector on your broadband modem. Connect the other end of this Ethernet cable to the **WAN** connector on the Motorola voice terminal.
- 3** Connect one end of another Ethernet cable to the **PC** connector on the Motorola voice terminal. Connect the other end of this Ethernet cable to the Ethernet connector on the computer.
- 4** Connect a telephone to the **LINE 1** connector using a phone wire (RJ-11). For a VT1005 or VT1005v *only*, you can connect a second telephone to the **LINE 2** connector.
- 5** Power on the broadband modem, following the instructions provided with your modem. Wait about two minutes for it to start up.
- 6** Plug the AC power adapter to the **POWER** connector on your Motorola voice terminal and the electrical outlet. *This turns your Motorola voice terminal on. You do not need to unplug it when not in use.*

Wait about two minutes for the Motorola voice terminal to start up. The POWER light blinks as described in “[Front Panel](#)” on page 7.

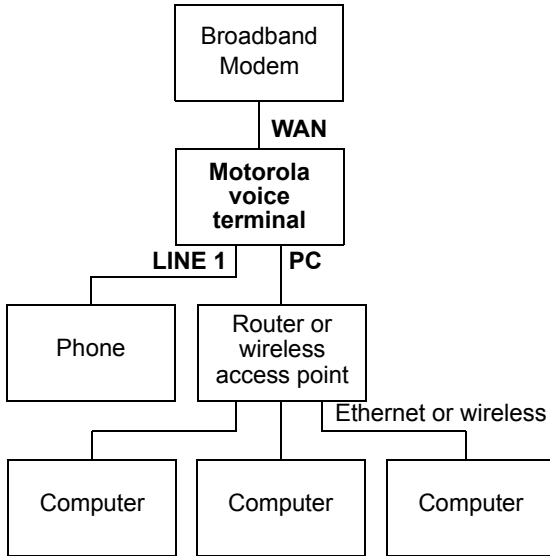
- 7** After the POWER light on your Motorola voice terminal turns on solid green, power up your computer. If your broadband Internet service does not work as it did before you installed your Motorola voice terminal, please refer to "[Troubleshooting](#)" on page 26.

If you have a cable modem, skip to step 9.

- 8** If you have a DSL modem, enable PPPoE on your Motorola voice terminal as described in "[Basic Configuration](#)" on page 19.

- 9** Pick up your telephone hand set and listen for a dial tone. If you hear a dial tone, you can now call anyone as you would with any telephone.

If you have any problems, please refer to "[Troubleshooting](#)" on page 26 or call your VoIP provider.



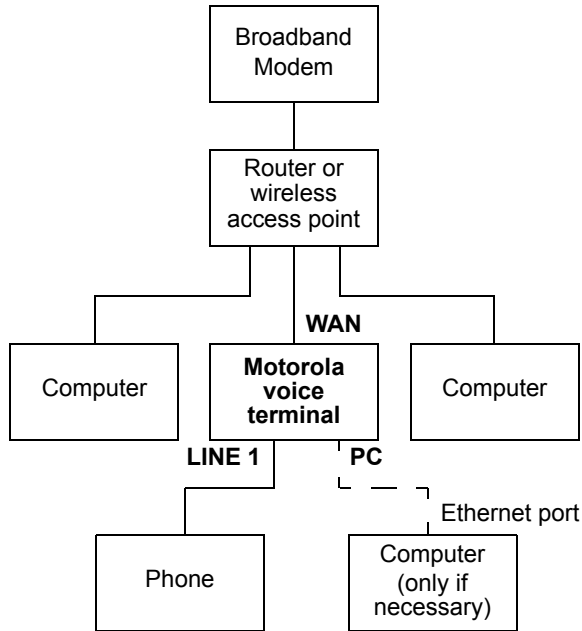
## Network Installation With Calls Prioritized

To connect your Motorola voice terminal directly to your broadband router, as shown on page 3 or page 4:

- 1 Be sure your Motorola voice terminal is unplugged. Be sure power is off to your broadband modem (cable or DSL) and router.
- 2 Connect one end of an Ethernet cable (RJ-45) to an open Ethernet LAN port on your broadband modem. Follow the instructions provided with the modem. Connect the other end of this Ethernet cable to the **WAN** connector on your Motorola voice terminal.
- 3 Connect a telephone to your **LINE 1** connector using a phone wire (RJ-11). For a VT1005 or VT1005v *only*, you can connect a second telephone to the **LINE 2** connector.
- 4 Connect your router or wireless access point, following the instructions provided with the router or access point.
- 5 Power on your broadband modem, following the instructions provided with the modem. Wait about two minutes for it to start up.
- 6 Plug the AC power adapter to the **POWER** connector on your Motorola voice terminal and the electrical outlet. *This turns your Motorola voice terminal on. You do not need to unplug it when not in use.*

Wait about two minutes for the Motorola voice terminal to start up. The POWER light blinks as described in “[Front Panel](#)” on page 7.

- 7** After the POWER light on your Motorola voice terminal turns on solid green, pick up the telephone hand set and listen for a dial tone
  - If you hear a dial tone, you can now call anyone as you normally would on any telephone.
  - If you do not hear a dial tone, check that all connections described in this procedure are correct. If you still do not hear a dial tone, you may need to connect a computer to your Motorola voice terminal and perform [Basic Configuration](#) (see page 19). If after performing Basic Configuration, you still do not hear a dial tone, see [“Troubleshooting”](#) on page 26 or call your VoIP provider.
- 8** Power on your router or wireless access point. Wait about two minutes for it to start up.
- 9** Configure your home network, following the instructions provided with the router or access point.



See [“Connecting a Computer to Display the Configuration Pages”](#)

## Network Installation With Calls Not Prioritized

If you already have a home network, you can connect your Motorola voice terminal to your router or wireless access point, as shown on page 5 or page 6:

- 1 Be sure your Motorola voice terminal is unplugged. Be sure power is off to your broadband modem (cable or DSL) and router.
- 2 If necessary, connect your router or wireless access point to your modem, following the instructions provided with the router or access point.
- 3 Connect one end of an Ethernet cable (RJ-45) to an open Ethernet LAN port on your router or wireless access point. Follow the instructions provided with the device. Connect the other end of this Ethernet cable to the **WAN** connector on your Motorola voice terminal.
- 4 Connect a telephone to your **LINE 1** connector using a phone wire (RJ-11). For a VT1005 or VT1005v *only*, you can connect a second telephone to the **LINE 2** connector.
- 5 Power on your broadband modem, following the instructions provided with the modem. Wait about two minutes for it to start up.
- 6 Power on your router, following the instructions provided with the router. Wait about two minutes for it to start up.
- 7 Plug the AC power adapter to the **POWER** connector on your Motorola voice terminal and the electrical outlet. *This turns your Motorola voice terminal on. You do not need to unplug it when not in use.*

Wait about two minutes for the Motorola voice terminal to start up. The POWER light blinks as described in [“Front Panel”](#) on page 7.

- 8 After the POWER light on your Motorola voice terminal turns on solid green, pick up the telephone hand set and listen for a dial tone
  - If you hear a dial tone, you can now call anyone as you normally would on any telephone.
  - If you do not hear a dial tone, check that all connections described in this procedure are correct. If you still do not hear a dial tone, you may need to connect a computer to your Motorola voice terminal and perform [Basic Configuration](#) (see page 19). If after performing Basic Configuration, you still do not hear a dial tone, see [“Troubleshooting”](#) on page 26 or call your VoIP provider.

## Connecting a Computer to Display the Configuration Pages

For a [Network Installation With Calls Not Prioritized](#) *only*, you need to connect a computer with DHCP enabled to the Motorola voice terminal to display the configuration pages. For information about enabling DHCP, refer to your operating system documentation.

If you performed an [Installation With A Single Computer](#) or a [Network Installation With Calls Prioritized](#), a computer is already connected to the Motorola voice terminal.

To connect a computer to the back of the Motorola voice terminal:

- 1 Connect one end of an Ethernet cable to the **PC** connector on the Motorola voice terminal.
- 2 Connect the other end of the Ethernet cable to the Ethernet connector on a computer.
- 3 Power up the computer.



## Basic Configuration

To perform basic configuration:

- 1 On a computer connected to the voice terminal **PC** port or a router, start a Web browser such as Microsoft® Internet Explorer or Netscape Navigator®.
- 2 In the **Address** or **Location** field, type **http://192.168.102.1** and press **ENTER** to display the [Status](#) page, which displays the Motorola voice terminal settings.
- 3 Click **Basic Configuration** to display the Basic Configuration window. Its fields are:

### Obtain IP Address Dynamically

This setting is enabled by default. *If either of the following is true, no configuration on this page is required:*

- If you have a cable modem with no router and your cable provider assigns IP addresses dynamically, the Motorola voice terminal obtains its IP address dynamically from your cable provider.
- If you have a router with DHCP enabled, the Motorola voice terminal obtains its IP address dynamically from your router.

### Specify Static IP Address

If your broadband provider requires a static IP address, enable Specify Static IP Address. Type the **Static IP Address** and IP addresses for the **Subnet Mask**, **Default Gateway** they provide.

### Enable PPPoE

If you have a DSL modem and no router, enable PPPoE and type the **Service Name**, **User Name**, and **Password** provided by your DSL provider.

**Specify DNS Servers**

Enables you to specify Domain Name System (DNS) servers, if necessary:

- If Obtain IP Address Dynamically or Enable PPPoE are selected, Specify DNS Servers is off by default. If required by your broadband provider *only*, select **Specify DNS Servers** and type the DNS server IP addresses provided by your broadband provider.
- If Specify Static IP Address is selected, Specify DNS Servers is selected by default. Because no DNS server is automatically assigned, you need to type the **DNS server IP addresses** provided by your broadband provider.

- 4** Verify that all fields are correctly filled in and click **Save Changes**. The message `This will require a reboot of the unit. Are you sure?` is displayed.
- 5** Click **OK**. Wait about one minute. You cannot display the configuration pages while the Motorola voice terminal starts up. After the Motorola voice terminal restarts, click the Web browser **Refresh** button to display the configuration pages.
- 6** Pick up the telephone hand set and listen for a dial tone. If you hear a dial tone, you can now place a phone call as you would with any telephone.

If you cannot hear a dial tone, try the following:

- Check that all cabling is correctly connected as described in “[Installation](#)” on page 11.
- Repeat this Basic Configuration procedure. Be sure you enter the correct information for your service.
- Refer to “[Troubleshooting](#)” on page 26.
- Contact your VoIP provider.

## Advanced Configuration

Do not change these settings unless you have the necessary expertise and the need to do so.

VT1000

Status Basic Configuration Advanced Configuration Help

Advanced Configuration


Enable DHCP/NAT on LAN Port
 

Virtual Servers		
IP	Port	Transport
192.168.102.0	0	Disabled
192.168.102.0	0	Disabled
192.168.102.0	0	Disabled

NOTE -- Ports 5060 and 20000 thru 20011 are currently assigned to the voice functions of the VT1000v. Defining any of these ports as virtual servers may disrupt your voice service.

Enable DMZ  
 DMZ Host Address   
 Host Name

**MAC Address Override**  
 :  :  :  :  :   
You may enter an alternate MAC Address to override the actual VT1000 MAC Address.  
  
Clicking the "Restore MAC Address" button will restore the VT1000 MAC Address to its original value.

Status | Basic | Configuration | Help  
 **MOTOROLA**

### Field or Button Description

#### Enable DHCP/NAT on LAN Port

If this is enabled, the Motorola voice terminal automatically distributes an IP address to a computer connected to its PC port. It is enabled by default.

#### Virtual Servers


Configures logical data ports for applications requiring multiple data ports. Because NAT assumes that data sent through one port will return to the same port, you may need to configure virtual servers to run certain applications:

- **IP** is the IP address of the computer connected to the Motorola voice terminal
- **Port** sets the port to open. *The ports assigned to Motorola voice terminal voice functions are displayed. If you forward any of these ports, you may disrupt your voice service. The ports shown in the illustration are examples only.*
- **Transport** sets the protocol — Disabled, TCP, IP, or UDP.

<b>Field or Button</b>	<b>Description</b>
<b>Enable DMZ</b>	Select Enable DMZ to enable the computer having the DMZ Host Address to be the de-militarized zone (DMZ). <i>Use this setting with extreme caution because a DMZ host can be accessed by any computer on the Internet and is completely open to Internet hackers.</i>
<b>DMZ Host Address</b>	Type the last octet of the IP address of the device you want to designate as the DMZ host.
<b>Host Name</b>	Type the host <i>name</i> , if required by your broadband provider.
<b>MAC Address Override</b>	<p>If your broadband provider associates a particular service to a specific device, such as your computer, type its MAC address here to use instead of the Motorola voice terminal MAC address.</p> <p>By default, the MAC address printed on the Motorola voice terminal is displayed in this field.</p>
<b>Restore MAC Address</b>	If you type a value in the MAC Address Override field, click to use the actual Motorola voice terminal MAC address instead.
<b>Save Changes</b>	After verifying that all fields are correctly filled in, click to save your changes. The message <i>This will require a reboot of the unit. Are you sure?</i> is displayed. Click <b>OK</b> .
<b>Reboot</b>	Click to restart the Motorola voice terminal. Rebooting takes about one minute.

VT 1000	
Status    Basic Configuration    Advanced Configuration    Help	
Parameter	Status
WAN IP Address Assignment	Dynamic
IP Address	192.168.20.7
Subnet Mask	255.255.255.0
Default Gateway	192.168.20.1
DNS Servers	xxx.xxx.xxx.xxx xx.xxx.xxx.xx xxx.xxx.xxx.x
DHCP Server/NAT	Enabled
WAN MAC Address	00:0C:ES:89:BA:DA
Phone Number Line 1	xxxxxxxxxxx
Phone Number Line 2	xxxxxxxxxxx

Status | Basic | Configuration | Help

 **MOTOROLA**

## Status

The Status window displays the Motorola voice terminal configuration.

### Field

### Description

#### WAN IP Address Assignment

Displays the method chosen on the [Basic Configuration](#) page — Dynamic, Static, or PPPoE.

#### IP Address Subnet Mask Default Gateway

These fields display the Motorola voice terminal IP address, subnet mask, and default gateway IP address:

- For a cable modem with no router where the cable provider assigns IP addresses dynamically, these are obtained dynamically from the cable provider.
- For static assignment, these are defined on the Basic Configuration page.

#### DNS Servers

Displays the DNS servers assigned to your computer.

#### DHCP Server/NAT

Displays whether Enable DHCP/NAT on LAN Port is enabled on the [Advanced Configuration](#) page.

**Field Description**

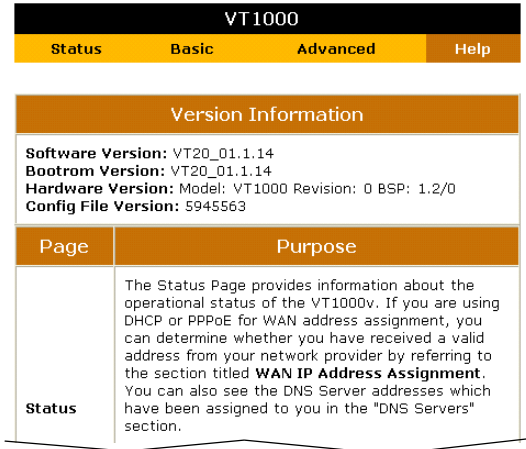
**WAN MAC Address** Displays the Motorola voice terminal MAC address. By default, it displays the MAC address written to read-only memory (ROM) at the factory and printed in the MTA MAC ID field on the bottom of the unit. If you use the MAC Address Override field on the [Advanced Configuration](#) page, the MAC address you typed there is displayed in this field.

**User Phone Number** Displays the telephone number(s) assigned by your VoIP provider.

**Help**

The Help window displays:

- Software, boot ROM, hardware, and VoIP provider configuration file versions
- Brief descriptions of the Motorola voice terminal configuration pages



## Troubleshooting

If the solutions listed here do not solve your problem, check your broadband modem user guide or contact your VoIP provider. To establish network connectivity, it is helpful to follow the correct sequence. Be sure you complete the steps in the order specified in “[Installation](#)” on page 11.

<b>Problem</b>	<b>Possible Solutions</b>
<b>Green POWER light is off</b>	<p>Check that the AC power adapter is properly plugged into the electrical outlet and the Motorola voice terminal.</p> <p>Check that the electrical outlet is working.</p>
<b>Cannot send or receive data or calls; no dial tone</b>	<p>Check whether the telephone line cord is connected to the Motorola voice terminal.</p> <p>Check all other cabling between the modem, Motorola voice terminal, computer, and if applicable, routers. Be sure you used the cables provided with the Motorola voice terminal. All Ethernet cables must be straight-through cables.</p> <p>Check the lights on the modem front panel. For example, on the Motorola <a href="#">SURFBoard</a><sup>®</sup> cable modem, the first light from top to bottom that is off indicates the error. For information, see your broadband modem user guide.</p> <p>Check the POWER light on the <a href="#">Front Panel</a>.</p>



## Frequently-Asked Questions

If you do not understand a term or acronym, please check the “[Glossary](#)” on page 30.

**Q Where can I find more technical information?**

**A** For technical support, contact your VoIP provider.

For more information about your Motorola voice terminal, other Motorola consumer broadband products, education, and support, visit <http://broadband.motorola.com/consumers/>.

**Q What does the Motorola voice terminal do?**

**A** Your Motorola voice terminal is part standalone media terminal adapter (S-MTA) and part home broadband router:

- As an S-MTA, it converts analog voice signals to and from a standard telephone to digital data that can be transmitted through a broadband connection across the Internet. It provides an alternate means to make voice calls.
- As a home broadband router, it provides basic routing to enable simultaneous voice and data communication.

**Q Will the Motorola voice terminal work with my cable modem?**

**A** Yes. The Motorola voice terminal supports Dynamic Host Control Protocol (DHCP), which is specified for DOCSIS® cable modems.

**Q Will the Motorola voice terminal work with my DSL modem?**

**A** Yes. The Motorola voice terminal supports PPPoE, which is used by most DSL providers.

**Q Can I operate a virtual private network (VPN) application behind the Motorola voice terminal?**

**A** Yes. The Motorola voice terminal supports IPSEC and PPTP, the most common VPN protocols.

**Q Can I play on-line games through my Motorola voice terminal?**

**A** By default, the Motorola voice terminal blocks all unsolicited messages to your computer or home network as a standard security measure. However, for online games that require some unsolicited messages to be transmitted through the Motorola voice terminal, you can specify ports and IP addresses on which to allow unsolicited messages. The Motorola voice terminal enables you to set up virtual servers or a [DMZ](#).

**Q How do I configure my Motorola voice terminal?**

**A** *Most users who perform the appropriate [Installation](#) procedure can send and receive calls with no additional configuration!* If configuration is required, there is a graphical user interface (GUI). For information about getting started, see “[Basic Configuration](#)” on page 19. You may need to connect a computer as described in “[Connecting a Computer to Display the Configuration Pages](#)” on page 18. Alternately, you can configure your computer statically to 192.169.102.xxx (xxx is from 2 to 254), subnet 255.255.255.0, and default gateway 192.168.102.1.

**Q Do I need a router to benefit from the Motorola voice terminal and simultaneously surf the Internet?**

**A** You can use the Motorola voice terminal with or without a home router or wireless access point. It provides the routing functions necessary for general Internet use, like Network Address Port Translation (NAPT), virtual servers, DMZ, and stealth mode operation.

**Q When is a separate router recommended?**

**A** The Motorola voice terminal supports most routing functionality you are likely to need. If you want a firewall, RIP, parental control, port triggers, or advanced ALGs such as RSVP, POP3, SNMP, or streaming media, purchase a separate router, such as the Motorola [BR700](#) or [WR850G](#).

**Q Is any Quality of Service (QoS) implemented on the Motorola voice terminal?**

**A** Although voice service over the Internet is typically best-effort, the Motorola voice terminal provides upstream voice prioritization to ensure that upstream voice data has priority over other Web data. This ensures good voice quality even during heavy upstream data transfers such as e-mail synchronization or file sharing.

**Q What codecs and voice protocols does the Motorola voice terminal support?**

**A** The Motorola voice terminal supports:

- Many popular coder/decoders (codecs) including G.711 (a-law and  $\mu$ -law), G.726(16, 24, 32, and 40 kbps), G.729A/B, G.729E, G.728, G.723, and others. The configuration of supported codecs depends on your VoIP provider's system.
- Session Initiation Protocol (SIP) per RFC 3261, Real Time Protocol (RTP) per RFC 1889, and Out of Band Dual Tone Multi Frequency (OOB DTMF) per RFC 2833.

## Glossary

<b>broadband</b>	High-speed telecommunication over a wide range of frequencies, typically 256 Kbps or faster. Broadband enables more information to be transmitted in less time. The most common broadband service types available to home and small-office users are cable modem or DSL. Both cable modem and DSL are much faster than a traditional dial-up Internet connection.
<b>broadband provider</b>	If you have a cable modem, the cable company from which you subscribe to high-speed data service. If you have a DSL modem, the company from which you subscribe to DSL service.
<b>cable modem</b>	A device enabling a broadband connection to the Internet over cable television lines. It requires a subscription for high-speed data service from your local cable provider.
<b>coaxial cable (coax)</b>	A type of wire consisting of a center wire surrounded by insulation and a grounded shield of braided wire traditionally used mainly to carry cable television signals. The shield minimizes electrical and radio frequency interference.
<b>DOCSIS</b>	The Data-Over-Cable Service Interface Specification defines interface standards for cable modems, gateways, and supporting equipment to deliver data between an HFC network and computer systems or television sets. Euro-DOCSIS is DOCSIS adapted for use in Europe.
<b>DMZ</b>	A “de-militarized zone” is a host that can be accessed by any computer on the Internet. You can use a DMZ to prevent direct access by outside users to private data. (The term comes from the geographic buffers located between some conflicting countries such as North and South Korea.) The DMZ host cannot initiate a session back to the private LAN. Internet users can access only the DMZ host. You can use a DMZ to set up a Web server or for gaming without exposing confidential data.
<b>DSL</b>	A digital subscriber line enables a broadband connection to the Internet over traditional telephone lines that support DSL. You need a subscription for DSL service from your local telephone company.

<b>DNS</b>	The Domain Name System is the Internet system for converting domain names to IP addresses. A DNS server contains a table matching domain names such as Internetname.com to IP addresses such as 192.169.9.1. When you access the Web, a DNS server translates the URL displayed on the browser to the destination website IP address. The DNS lookup table is a distributed Internet database; no one DNS server lists all domain name to IP address matches.
<b>download</b>	To copy a file from one computer to another. You can use the Internet to download files from a server to your home computer.
<b>downstream</b>	In a cable data or DSL network, downstream describes the direction of data received by your computer from the Internet.
<b>DHCP</b>	A Dynamic Host Configuration Protocol server dynamically assigns IP addresses to client hosts on an IP network. DHCP eliminates the need to manually assign static IP addresses by “leasing” an IP address and subnet mask to each client. It enables the automatic reuse of unused IP addresses.
<b>Ethernet</b>	The most widely used type of local area network (LAN). The most commonly installed Ethernet networks are called 10Base-T. 10Base-T provides transmission speeds up to 10 megabits per second (Mbps), usually over twisted-pair wire. Fast Ethernet (100Base-T) provides transmission speeds up to 100 Mbps.
<b>host</b>	A host is any computer or similar device supporting end-user applications or services with full two-way network access. Each host has a unique host number that combined with the network number forms its IP address.
<b>IP address</b>	An Internet Protocol address is an identifier for a computer or device on a TCP/IP network. Networks using the TCP/IP protocol route messages based on the destination IP address. Your broadband provider assigns your cable modem an IP address to provide a continuous Internet connection.
<b>IPSec</b>	The Internet Protocol Security protocols are authentication and encryption standards for secure data exchange over the Internet.
<b>MAC address</b>	The Media Access Control address uniquely identifies each device that can be connected to an Ethernet network. It is permanently written to read-only memory (ROM) at the factory and printed on your Motorola voice terminal.
<b>MHz</b>	Mega Hertz. A measure of radio frequency - millions of cycles per second. One MHz means one million cycles per second.

<b>NAT</b>	Network Address Translation is a standard for a LAN to use one set of IP addresses for internal traffic and a second set of IP addresses for external traffic.
<b>NAPT</b>	Network Address Port Translation is the most common form of translation between public and private IP addresses.
<b>OOB DTMF</b>	Out of Band Dual Tone Multi Frequency protocol for voice traffic
<b>port</b>	On a computer or other electronic device, a port is a socket or plug used to physically connect it to the network or to other devices. In TCP/IP, a port is a number from 0 to 65536 used logically by a client program to specify a server program. Ports 0 to 1024 are reserved.
<b>PPPoE</b>	Point-to-Point Protocol over Ethernet is a specification for connecting to the Internet with DSL modems.
<b>PPTP</b>	Point-to-Point Tunneling Protocol encapsulates other protocols. It is a new technology to create VPNs developed jointly by several vendors.
<b>RTP</b>	Real Time Protocol for voice traffic
<b>RJ-11</b>	The most common type of connector for household or office phones.
<b>RJ-45</b>	The most common type of connector for Ethernet networks.
<b>router</b>	On IP networks, a device connecting at least two networks, which may or may not be similar. A router filters data based on the IP address, examining the source and destination IP addresses to determine the best route on which to forward it. One example is the Motorola <a href="#">Ethernet Broadband Router BR700</a> .
<b>SIP</b>	Session Initiation Protocol for voice traffic
<b>S-MTA</b>	A standalone media terminal adapter converts analog voice signals to and from a standard telephone to digital data that can be transmitted through a broadband connection over the Internet
<b>TCP/IP</b>	Transmission Control Protocol/Internet Protocol is a set of protocols that provides rules for communication between networks.
<b>upstream</b>	In a cable data or DSL network, upstream describes the direction of data sent from your computer to the Internet.

- wireless access point (WAP)** A device that provides network connectivity to one or more client computers using radio signals over a wireless connection. One example is the [Motorola Wireless Access Point WA840G](#).
- VoIP** Voice over Internet Protocol is a method to exchange voice, fax, and other information over the Internet. Voice and fax have traditionally been carried over telephone lines using a dedicated circuit for each line. VoIP enables calls to travel as discrete data on shared lines.
- VoIP provider** The company from which you purchase VoIP telephone service. It may be different from your broadband provider.
- VPN** A virtual private network is a private network that uses “virtual” connections (tunnels) routed over a public network (usually the Internet) to provide a secure and fast connection; usually to users working remotely at home or in small branch offices. A VPN connection provides security and performance similar to a dedicated link (for example, a leased line), but at much lower cost.



## Software License and Warranty

Motorola, Inc., Broadband Communications Sector ("Motorola")  
Cable Data Division  
101 Tournament Drive  
Horsham, PA 19044

### License

IMPORTANT: PLEASE READ THIS SOFTWARE LICENSE ("LICENSE") CAREFULLY BEFORE YOU INSTALL, DOWNLOAD OR USE ANY APPLICATION SOFTWARE, USB DRIVER SOFTWARE, FIRMWARE AND RELATED DOCUMENTATION ("SOFTWARE") PROVIDED WITH MOTOROLA'S CABLE DATA PRODUCT (THE "CABLE DATA PRODUCT"). BY USING THE CABLE DATA PRODUCT AND/OR INSTALLING, DOWNLOADING OR USING ANY OF THE SOFTWARE, YOU INDICATE YOUR ACCEPTANCE OF EACH OF THE TERMS OF THIS LICENSE. UPON ACCEPTANCE, THIS LICENSE WILL BE A LEGALLY BINDING AGREEMENT BETWEEN YOU AND MOTOROLA. THE TERMS OF THIS LICENSE APPLY TO YOU AND TO ANY SUBSEQUENT USER OF THIS SOFTWARE.

IF YOU DO NOT AGREE TO ALL OF THE TERMS OF THIS LICENSE (I) DO NOT INSTALL OR USE THE SOFTWARE AND (II) RETURN THE CABLE DATA PRODUCT AND THE SOFTWARE (COLLECTIVELY, "PRODUCT"), INCLUDING ALL COMPONENTS, DOCUMENTATION AND ANY OTHER MATERIALS PROVIDED WITH THE PRODUCT, TO YOUR POINT OF PURCHASE OR SERVICE PROVIDER, AS THE CASE MAY BE, FOR A FULL REFUND. BY INSTALLING OR USING THE SOFTWARE, YOU AGREE TO BE BOUND BY THE PROVISIONS OF THIS LICENSE AGREEMENT.

The Software includes associated media, any printed materials, and any "on-line" or electronic documentation. Software provided by 3<sup>rd</sup> parties may be subject to separate end-user license agreements from the manufacturers of such Software.

The Software is never sold. Motorola licenses the Software to the original customer and to any subsequent licensee for personal use only on the terms of this License. Motorola and its 3<sup>rd</sup> party licensors retain the ownership of the Software.

You may:

USE the Software only in connection with the operation of the Product.

TRANSFER the Software (including all component parts and printed materials) permanently to another person, but only if the person agrees to accept all of the terms of this License. If you transfer the Software, you must at the same time transfer the Product and all copies of the Software (if applicable) to the same person or destroy any copies not transferred.

TERMINATE this License by destroying the original and all copies of the Software (if applicable) in whatever form.

You may not:

- (1) Loan, distribute, rent, lease, give, sublicense or otherwise transfer the Software, in whole or in part, to any other person, except as permitted under the TRANSFER paragraph above.
- (2) Copy or translate the User Guide included with the Software, other than for personal use.
- (3) Copy, alter, translate, decompile, disassemble or reverse engineer the Software, including but not limited to, modifying the Software to make it operate on non-compatible hardware.
- (4) Remove, alter or cause not to be displayed, any copyright notices or startup message contained in the Software programs or documentation.
- (5) Export the Software or the Product components in violation of any United States export laws.

The Product is not designed or intended for use in on-line control of aircraft, air traffic, aircraft navigation or aircraft communications; or in design, construction, operation or maintenance of any nuclear facility. MOTOROLA AND ITS 3<sup>rd</sup> PARTY LICENSORS DISCLAIM ANY EXPRESS OR IMPLIED WARRANTY OF FITNESS FOR SUCH USES. YOU REPRESENT AND WARRANT THAT YOU SHALL NOT USE THE PRODUCT FOR SUCH PURPOSES.



Title to this Software, including the ownership of all copyrights, mask work rights, patents, trademarks and all other intellectual property rights subsisting in the foregoing, and all adaptations to and modifications of the foregoing shall at all times remain with Motorola and its 3<sup>rd</sup> party licensors. Motorola retains all rights not expressly licensed under this License. The Software, including any images, graphics, photographs, animation, video, audio, music and text incorporated therein is owned by Motorola or its 3<sup>rd</sup> party licensors and is protected by United States copyright laws and international treaty provisions. Except as otherwise expressly provided in this License, the copying, reproduction, distribution or preparation of derivative works of the Software, any portion of the Product or the documentation is strictly prohibited by such laws and treaty provisions. Nothing in this License constitutes a waiver of Motorola's rights under United States copyright law.

This License and your rights regarding any matter it addresses are governed by the laws of the Commonwealth of Pennsylvania, without reference to conflict of laws principles. THIS LICENSE SHALL TERMINATE AUTOMATICALLY if you fail to comply with the terms of this License.

Motorola is not responsible for any 3<sup>rd</sup> party software provided as a bundled application, or otherwise, with the Software.

### U.S. GOVERNMENT RESTRICTED RIGHTS

The Product and documentation is provided with RESTRICTED RIGHTS. The use, duplication or disclosure by the Government is subject to restrictions as set forth in subdivision (c)(1)(ii) of The Rights in Technical Data and Computer Software clause at 52.227-7013. The contractor/manufacturer is Motorola, Inc., Broadband Communications Sector, 101 Tournament Drive, Horsham, PA 19044.

### Warranty Information

MOTOROLA DOES NOT EXTEND ANY WARRANTY DIRECTLY TO YOU, THE END USER, WITH RESPECT TO THIS PRODUCT. A LIMITED WARRANTY FOR THIS PRODUCT MAY HAVE BEEN PROVIDED TO YOU BY YOUR SERVICE PROVIDER ("SERVICE PROVIDER") FROM WHOM YOU OBTAINED THE PRODUCT. PLEASE CONTACT YOUR SERVICE PROVIDER IF YOU EXPERIENCE PROBLEMS. MOTOROLA HEREBY EXPRESSLY DISCLAIMS THE APPLICATION OF ANY EXPRESS, IMPLIED OR STATUTORY WARRANTIES, INCLUDING BUT NOT LIMITED TO ANY IMPLIED WARRANTIES OF MERCHANTABILITY, FITNESS FOR A PARTICULAR PURPOSE, AND/OR THE WARRANTY AGAINST INFRINGEMENT PROVIDED IN THE UNIFORM COMMERCIAL CODE. MOTOROLA ALSO IS NOT RESPONSIBLE FOR, AND PROVIDES "AS IS" ANY SOFTWARE SUPPLIED BY 3<sup>rd</sup> PARTIES.

IN NO EVENT SHALL MOTOROLA BE LIABLE TO YOU OR ANY OTHER PARTY FOR ANY DIRECT, INDIRECT, GENERAL, SPECIAL, INCIDENTAL, CONSEQUENTIAL, EXEMPLARY OR OTHER DAMAGES ARISING OUT OF THE USE OR INABILITY TO USE THE PRODUCT (INCLUDING, WITHOUT LIMITATION, DAMAGES FOR LOSS OF BUSINESS PROFITS, BUSINESS INTERRUPTION, LOSS OF INFORMATION OR ANY OTHER PECUNIARY LOSS), OR FROM ANY BREACH OF WARRANTY, EVEN IF MOTOROLA HAS BEEN ADVISED OF THE POSSIBILITY OF SUCH DAMAGES. MOTOROLA IS NOT RESPONSIBLE FOR PROBLEMS OR DAMAGE CAUSED BY THE INTERACTION OF THE PRODUCT WITH ANY OTHER SOFTWARE OR HARDWARE.

THE REMEDIES DESCRIBED IN THIS DOCUMENT ARE YOUR SOLE AND EXCLUSIVE REMEDIES FOR ANY AND ALL CLAIMS THAT YOU MAY HAVE ARISING OUT OF OR IN CONNECTION WITH THIS PRODUCT, WHETHER MADE OR SUFFERED BY YOU OR ANOTHER PERSON AND WHETHER BASED IN CONTRACT OR TORT.

These matters are governed by the laws of the Commonwealth of Pennsylvania, without regard to conflict of laws principles and excluding the provisions of the United Nations Convention on Contracts for the International Sale of Goods.

Visit our website at:  
[www.motorola.com](http://www.motorola.com)



519631-001  
2/05  
MGBI