

8160 D/8190 D

8260 D/8290 D

8360 D/8390 D

8361 D/8391 D

Cooker Hood
Campana extractora
Exaustor

Operating and Installation Instructions
Instrucciones de montaje y manejo
Manual de Instruções

Contents

Safety warnings	3
For the user	3
For the installer	3
.....	
Description of the Appliance	5
Extractor version	5
Filter Version	5
Control Panel - 8160 D - 8190 D - 8260 D - 8290 D	6
Control Panel - 8360 D - 8390 D - 8361 D - 8391 D	7
Maintenance and care	8
Cleaning the hood	8
Metal grease filter	8
Removing the metal grease filter	8
Charcoal filter	9
Changing the light bulb	10
What to do if	11
Special accessories	12
Technical assistance service	12
Technical Details	13
Mounting accessories included	12
Electrical connection	65
Wall unit mounting	66



Safety warnings

For the user

- The cooker hood is designed to extract unpleasant odours from the kitchen, it will not extract steam.
- Always cover lighted elements, to prevent excess heat from damaging the appliance. In the case of oil, gas and coal fired cookers it is essential to avoid open flames.
- Also, when frying, keep the deep frying pan on the cooker top/cooker under careful control.
- The hot oil in the frying pan might ignite due to overheating.
- The risk of self-ignition increases when the oil being used is dirty.
- It is extremely important to note that overheating can cause a fire.
- **Never carry out any flambé cooking under the hood.**
- **Always disconnect the unit from the power supply before carrying out any work on the hood, including replacing the light bulb** (take the cartridge fuse out of the fuse holder or switch off the automatic circuit breaker).
- **It is very important to clean the hood and replace the filter at the recommended intervals. Failure to do so could cause grease deposits to build up, resulting in a fire hazard.**
- The appliance is not intended for use by young children or infirm persons without supervision.
- Young children should be supervised to ensure that they do not play with the appliance.
- **WARNING** - Ensure that the appliance is switched off before replacing the lamp to avoid the possibility of electric shock.

For the installer

- When used as an extractor unit, the hood must be fitted with a 150mm diameter hose.
- Should there already be a pipe of diameter 125 or 120 mm that ducts to the outside through the walls or roof, it is possible to use the 150/125-120 mm reduction flange provided. In this case the hood will be slightly noisier.
- **When installing the hood, make sure you respect the following minimum distance from the top edge of the cooking hob/ring surfaces:**

electric cookers	500 mm
gas cookers	650 mm
coal and oil cookers	700 mm min.

- The national Standard on fuel-burning systems specifies a maximum depression of 0.04 mbar in such rooms.
- The air outlet must not be connected to chimney flues or combustion gas ducts. The air outlet must under no circumstances be connected to ventilation ducts for rooms in which fuel-burning appliances are installed.
- The air outlet installation must comply with the regulations laid down by the relevant authorities.
- When the unit is used in its extractor version, a sufficiently large ventilation hole must be provided, with dimensions that are approximately the same as the outlet hole.
- National and regional building regulations impose a number of restrictions on using hoods and fuel-burning appliances connected to a chimney, such as coal or oil room-heaters and gas fires, in the same room.
- Hoods can only be used safely with appliances connected to a chimney if the room and/or flat (air/environment combination) is ventilated from outside using a suitable ventilation hole approximately 500-600 cm² large to avoid the possibility of a depression being created during operation of the hood.
- If you have any doubts, contact the relevant controlling authority or building inspector's office.
- Since the rule for rooms with fuel burning appliances is "outlet hole of the same size as the ventilation hole", a hole of 500-600 cm², which is to say a larger hole, could reduce the performance of the extractor hood.
- If the hood is used in its filtering function, it will operate simply and safely in the above conditions without the need for any of the aforementioned measures.
- When the hood is used in its extractor function, the following rules must be followed to obtain optimal operation:
 - short and straight outlet hose
 - keep bends in outlet hose to a minimum
 - never install the hoses with an acute angle, they must always follow a gentle curve.
 - keep the hose as large as possible (preferably the same diameter as the outlet hole).
- Failure to observe these basic instructions will drastically reduce the performance and increase the noise levels of the extractor hood.

Description of the Appliance

- The hood is supplied as an extractor unit and can also be used with a filtering function by fitting one charcoal filter.
- You will need an original AEG charcoal filter for this function (Available from your local AEG Service Force Centre).

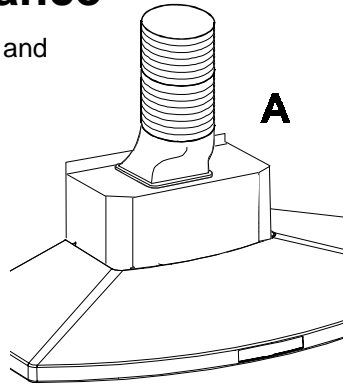


Fig. 1

Extractor version

- In this version fumes are extracted to the outside via a hose connected to the coupling ring **A. Fig. 1.**
- In order to obtain the best performance the hose should have a diameter equal to the outlet hole.
- Should there already be a pipe of diameter 125 mm that ducts to the outside through the walls or roof, it is possible to use the 150/125 mm reduction flange provided. In this case the hood will be slightly noisier.

Filter Version

- The air is filtered through an charcoal filter and returned to the kitchen through the top grill of the outlet pipe.
- You will need an original AEG charcoal filter for the filtering function. (See Special Accessories).
- Fix the deflector using 2 screws $\varnothing 2,9 \times 13$ mm. **Fig. 2.**
- Optionally, the position of the chimney elements can be changed. When using the hood in the filter version the chimney must be fixed at the top, with the air outlet grill at the side.

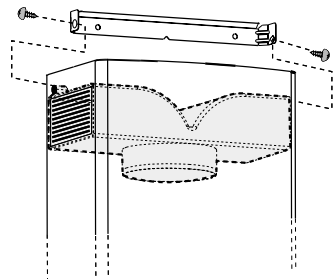


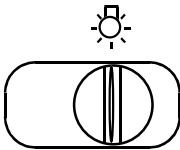
Fig. 2

Control Panel

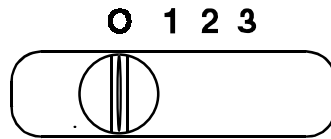
- Best results are obtained by using a low speed for normal conditions and a high speed when odours are more concentrated. Turn the hood on a few minutes before you start cooking, you will then get an under pressure in the kitchen. The hood should be left on after cooking for about 15 minutes or until all the odours have disappeared. The control switches are located on the unit's front panel:

8160 D - 8190 D

- the **light switch** switches the hood lamp on and off
- the **motor switch** switches the motor on and off, enabling you to select one of the three different speeds.



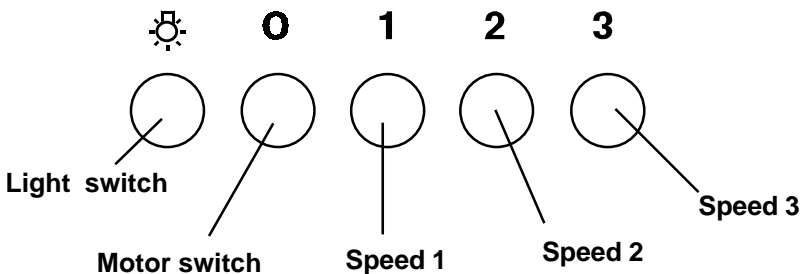
Light switch



Motor switch

8260 D - 8290 D

- the **light switch** switches the hood lamp on and off
- the **motor switch** switches the motor off
- **Speed 1:** Speed 1 push-button
- **Speed 2:** Speed 2 push-button
- **Speed 3:** Speed 3 push-button

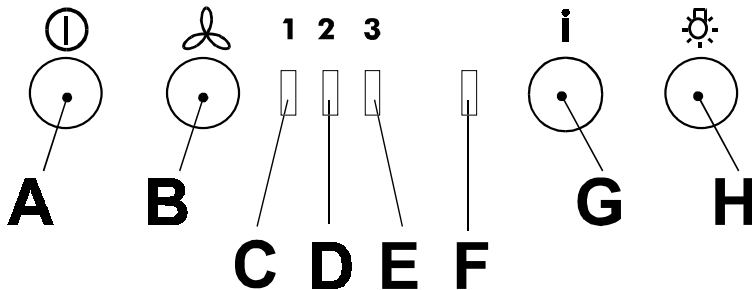


Control Panel

8360 D - 8361 D - 8390 D - 8391 D

- Best results are obtained by using a low speed for normal conditions and a high speed when odours are more concentrated. Turn the hood on a few minutes before you start cooking, you will then get an under pressure in the kitchen. The hood should be left on after cooking for about 15 minutes or until all the odours have disappeared. The control switches are located on the unit's front panel:

- A** - Mains switch, OFF.
- B** - Start and choice of motor speed 1-2-3-1-2-3.....
- C** - Indicates speed 1 (LED).
- D** - Indicates speed 2 (LED).
- E** - Indicates speed 3 (LED).
- F** - Indicates Intensive speed (LED).
- G** - Intensive speed on/off. The Intensive speed runs for 5 minutes:
If the hood is on when the Intensive speed is activated, the hood reverts to previous speed after 5 minutes.
If the hood is off when the Intensive speed is activated, the hood will be turned off after 5 minutes.
To interrupt the Intensive speed, press button A or B.
- H** - Light ON/OFF



Should the hood or the controls fail to operate: disconnect the power supply for at least 5 seconds, then turn the hood back on again.

Maintenance and care

- The hood must always be disconnected from the electricity supply before beginning any maintenance work.

Cleaning the hood

- Clean the outside of the hood using a damp cloth and a mild detergent.
- Never use corrosive, abrasive or flammable cleaning products.
- Never insert pointed objects in the motor's protective grid.
- Wash the outside surfaces using a delicate detergent solution. Never use caustic detergents or abrasive brushes or powders.
- Only ever clean the switch panel and filter grille using a damp cloth and delicate detergents.
- It is extremely important to clean the unit and change the filters at the recommended intervals. Failure to do so will cause grease deposits to build up that could constitute a fire hazard.

Metal grease filter

- The purpose of the grease filters is to absorb grease particles which form during cooking and it **must** always be used, either in the external extraction or internal recycling function.
Attention: the metal grease filters must be removed and washed, either by hand or in the dishwasher, every four weeks.

Removing the metal grease filter

- First, push the metal grease filter stop backwards, then extract the filter, pulling downwards. **Fig. 3.**

Hand washing

Soak grease filters for about one hour in hot water with a little washing-up liquid, then rinse off thoroughly with hot water. Repeat the process if necessary. Refit the grease filters when they are dry.

Dishwasher

Place grease filters in the dishwasher. Select most powerful washing programme and highest temperature, at least 65°C.

Repeat the process. Refit the grease filters when they are dry.

When washing the metal grease filter in the dishwasher a slight discolouration of the filter can occur, this does not have any impact on its performance.

- Clean the inner housing using a hot detergent solution only (never use caustic detergents, abrasive powders or brushes).

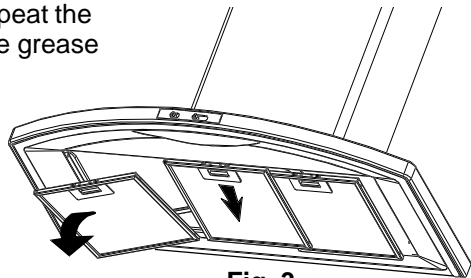


Fig. 3

Charcoal filter

- The charcoal filter should only be used if you want to use the hood in the recirculation function.
- To do this you will need an original AEG charcoal filter (available from your local Service Force Centre).
- **Cleaning/replacing the carbon filter**
Unlike other carbon filters, the LONGLIFE carbon filter can be cleaned and reactivated. At normal use the filter should be cleaned every second month (when using the hood 2,5 hours per day, in average). The best way to clean the filter is in the dishwasher. Use normal detergent and choose the highest temperature (65° C). Wash the filter separately so that no food parts gets stuck on the filter and later causes bad odours. To reactivate the carbon, the filter should be dried in an oven for 10 minutes with a temperature of maximum 100° C. After approximately three years of use, the carbon filter should be replaced with a new, as the odour reduction capacity will be reduced.
- **Mounting - Fig. 4**
Put the charcoal filter frame in place and fix it with 5 screws. Fit the charcoal filter first from the rear side and fix it frontwards using the two red keys **A**.

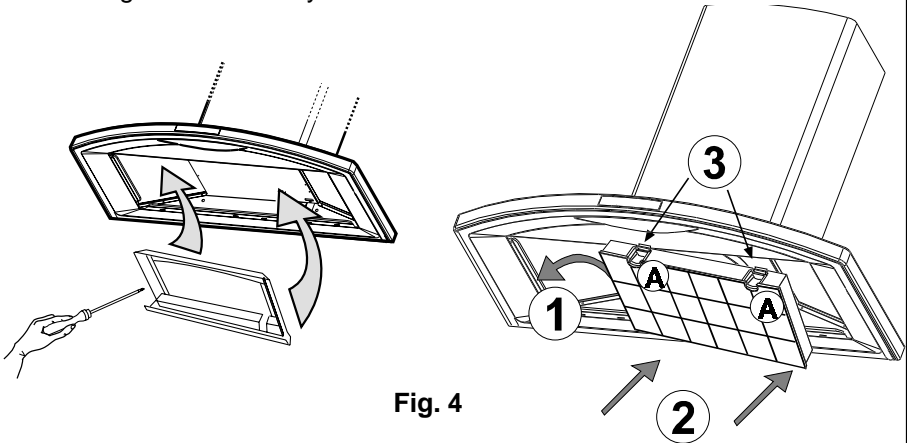


Fig. 4

- **To remove** proceed in the reverse order.
- Always specify the hood model code number and serial number when ordering replacement filters. This information is shown on the registration plate located on the inside of the unit.
- The charcoal filter can be ordered from your local AEG Service Force Centre.



Warning

- Failure to observe the instructions on cleaning the unit and changing the filters will cause a fire hazard. You are therefore strongly recommended to follow these instructions.
- The manufacturer declines all responsibility for any damage to the motor or any fire damage linked to inappropriate maintenance or failure to observe the above safety recommendations.

Changing the light bulb

- Disconnect the cooker hood from the main supply.

8160 D - 8190 D

- Remove the lamp cover. **Fig. 5.**
- Replace the old bulb with a new one of the same type.
- Remount the lamp cover.

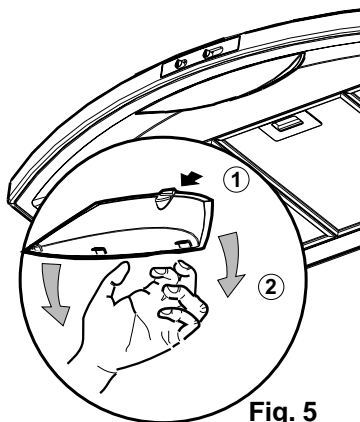


Fig. 5

8260 D - 8290 D - 8360 D - 8390 D - 8361 D - 8391 D

- Press (1) the lamp cover (2) and open it. **Fig. 6.**
- Replace the old bulb with a new one of the same type (3).
- Close the lamp cover.

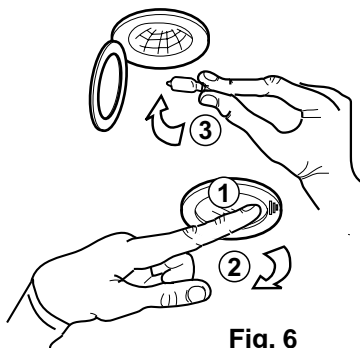


Fig. 6

- If the light does not come on, make sure the bulb has been inserted correctly before contacting your local Service Force Centre.

What to do if

If your appliance fails to work properly please carry out the following checks.

Symptom	Solution
The cooker hood will not start...	Check that: The hood is connected to the electricity supply. Check that a fan speed has been selected
The cooker hood is not working effectively..	Check that: The fan speed is set high enough for the task. The grease filters are clean. The kitchen is adequately vented to allow the entry of fresh air. If set up for recirculation, check that the charcoal filter is still effective. If set up for extraction, check that the ducting and outlets are not blocked.
The cooker hood has switched off during operation...	The safety cut-out device has been tripped. Turn off the hob and then wait for the device to reset. If the hood has been installed below the heights indicated in the installation instructions the motor will cut-out frequently which will damage the hood.

If after all these checks, the problem persists, contact your local Service Force Centre, quoting the model and serial number. Please note that it will be necessary to provide proof of purchase for any in-guarantee service calls. In-guarantee customers should ensure that the above checks have been made as the engineer will make a charge if the fault is not a mechanical or electrical breakdown.

Special accessories

Charcoal KF8

E-Nr. 942 118 648

Technical assistance service (not for UK)

You are welcome to telephone our technical assistance service (see list of technical assistance centres) whenever you need information or in the unlikely event of a fault.

For service in Australia call 1300 650 020.

When calling, please be ready to specify:

1. **The model code number**
2. **The serial number (E-Nr.)**
3. **The manufacturing number (F-Nr.)**

This information is shown on the registration plate inside the unit behind the grease filter.

We reserve the right to change specifications and colours as a result of our policy of continuing technological development.

Service and spare parts for UK

In the event of your appliance requiring service, or if you wish to purchase spare parts, contact your local AEG Service Force Centre by telephoning: **08705 929 929**

Your telephone call will be automatically routed to the Service Centre covering your post code area. For the address of your local Service Force Centre and further information about Service Force, please visit the website at www.serviceforce.co.uk

Please ensure that you have read the section „What to do if...“ as the engineer will make a charge if the fault is not a mechanical or electrical breakdown even the appliance is under warranty. **Please note that proof of purchase is required for in-guarantee service calls.**

Help us to help you

Please determine your type of enquiry before writing or telephoning. When you contact us we need to know:

- Your name
- Address and post code
- Telephone number
- Clear and concise details of the fault
- Name and model of the appliance*
- E number*

* This information can be found on the rating plate, which can be seen when the grease filters are removed.

Technical Details

Models	Dimensions (in cm)			Maximum absorbed power	Motor power	Lighting	Length of the cable	Electrical connection
	Height	Width	Depth					
8160 D	80-135	59,8	47	170 W	1 x 155 W	1 x 11 W (PL)	150 cm	220-240 V
8190 D	82-137	89,8	48	170 W	1 x 155 W	1 x 11 W	150 cm	220-240 V
8260 D	80-135	59,8	47	200 W	1 x 155 W	2 x 20 W (G4)	150 cm	220-240 V
8290 D	82-137	89,8	48	200 W	1 x 155 W	2 x 20 W (G4)	150 cm	220-240 V
8360 D	80-135	59,8	47	175 W	1 x 130 W	2 x 20 W (G4)	150 cm	220-240 V
8390 D	82-137	89,8	48	175 W	1 x 130 W	2 x 20 W (G4)	150 cm	220-240 V
8361 D	80-135	59,8	47	175 W	1 x 130 W	2 x 20 W (G4)	150 cm	220-240 V
8391 D	82-137	89,8	48	175 W	1 x 130 W	2 x 20 W (G4)	150 cm	220-240 V

Mounting accessories included

- 6 wall plugs Ø 8 mm (brick fixing only)
- 6 wood-screws 5 x 45 mm
- 2 metal screws 2,9 x 13
- 4 metal screws 2,9 x 6,5
- 5 metal screws 3,5 x 13
- 2 hooks
- 1 chimney support
- 2 clamps
- 1 deflector
- 1 reduction flange Ø 150-125 mm
- 1 charcoal filter frame
- 1 allen spanner

Electrical connection (not for UK)

Safety warnings for the electrician

Before connecting the appliance to the power supply, check that the voltage indicated on the rating plate corresponds to the mains power supply available. Appliances fitted with a plug can be connected to any standard power socket within easy access.

Should it be necessary to provide a fixed connection, the hood must only be installed by an electrician authorised by the local electricity board. When installing, an omnipolar disconnector with a distance of at least 3 mm between contacts must be provided.

Fixed connection of the appliance must only be carried out by an authorised electrician.

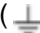
Electrical connection for UK only

Safety warnings for the electrician

Connect the hood to the mains supply via a double pole switch which has 3 mm minimum separation between the contacts.

The switch must be accessible at all times.

The following is valid in the United Kingdom only:

- the wire which is coloured green and yellow must be connected to the terminal which is marked with the letter E or by the earth symbol (), or coloured green or green and yellow;
- the wire which is coloured blue must be connected to the terminal which is marked with the letter N or coloured black, -
- the wire which is coloured brown must be connected to the terminal which is marked with the letter L or coloured red.

Wall unit mounting - Fig. 7

- Position the template on the wall **(1)** and mark the position, and drill **(2)** the holes (2 x Ø 8 mm).
- Mount the two wall plugs with the hooks **(3)**.
- Hang the hood on the hooks and level it with the adjustment screws **(4)**.
- Remove the grease filters **(5)** and mark for the two screws **(6)**. Remove the hood and drill the holes (2 x Ø 8 mm). Insert the rawl plugs **(7)** and hang the hood on the wall again. Adjust it with the screws **(8)** and secure it with the screws **(9)**.
- Mount the chimney support **(10)** with the wall plugs **(9)** and the screws **(11)**. Be careful that it is centered over the hood and horizontally aligned.
- **Extractor version (S)**: Connect a tube between the hood air outlet and the wall or roof exhaust channel. Fix it with the tube clamps supplied.
- **Filter version (K)**: Mount the deflector with the two screws supplied (2,9x13 mm) **(13)**.
- Make the electrical connection **(14)** (see previous page)
- Place the chimney **(15)** and fix it to the top chimney support with the two screws **(16)** supplied (2,9x6,5 mm). Lower the bottom part of the chimney **(17)** and fasten it to the top of the hood with two screws, supplied **(18)** (2,9x6,5 mm).

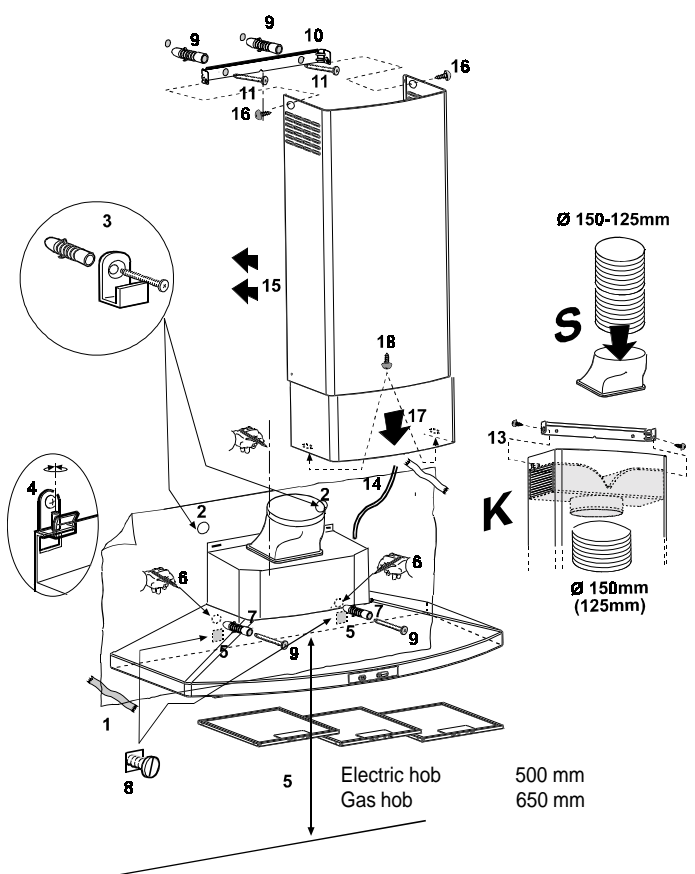
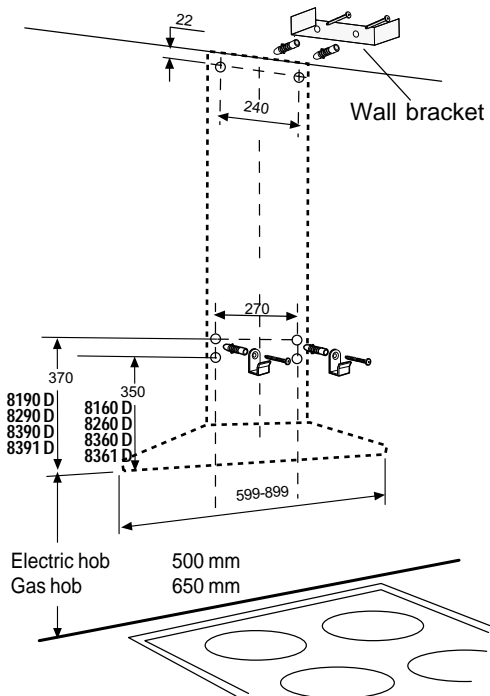
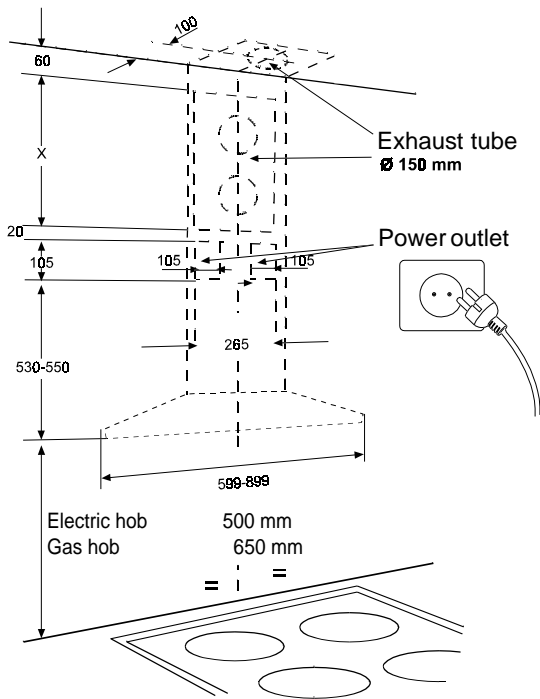
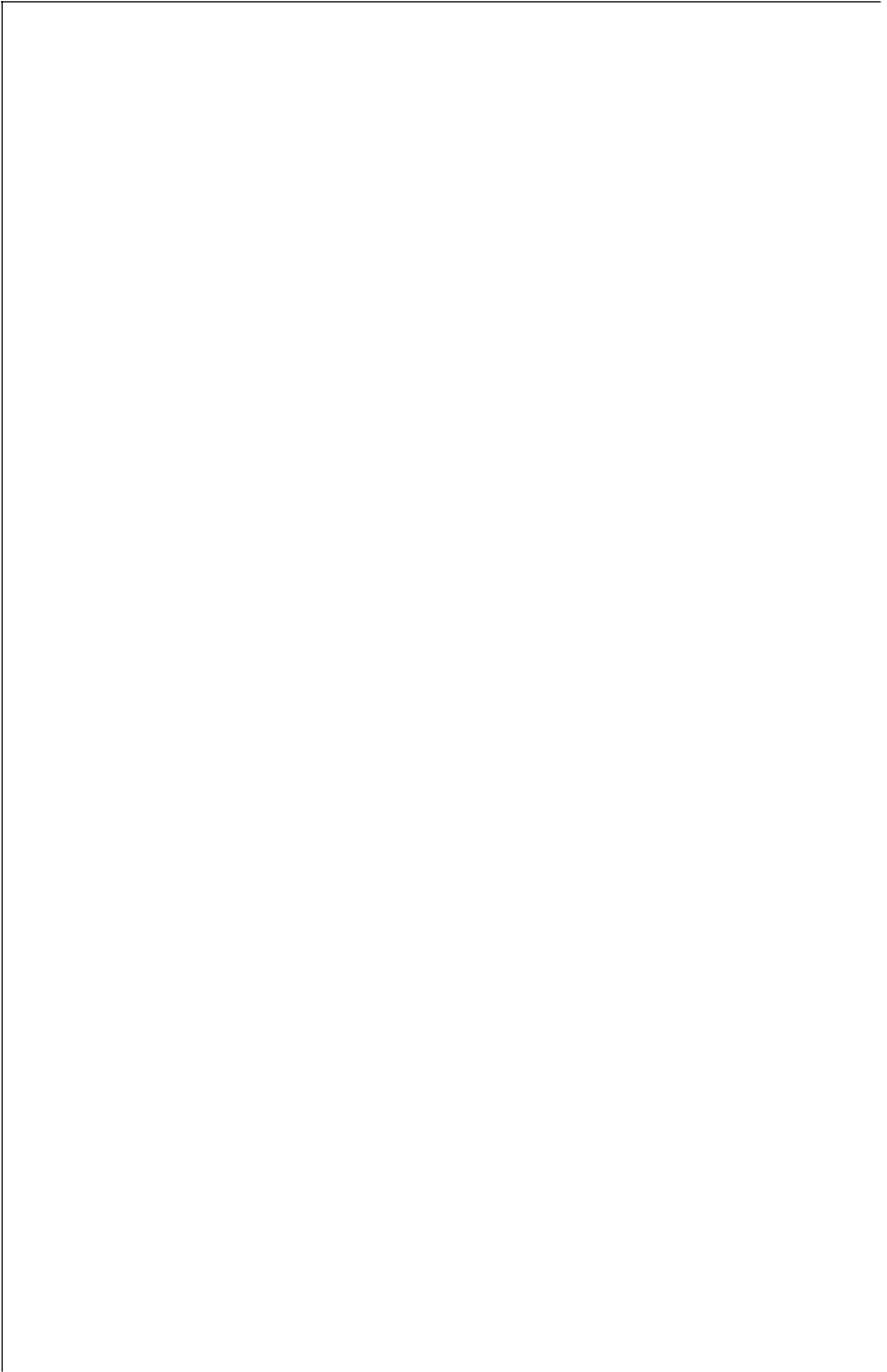
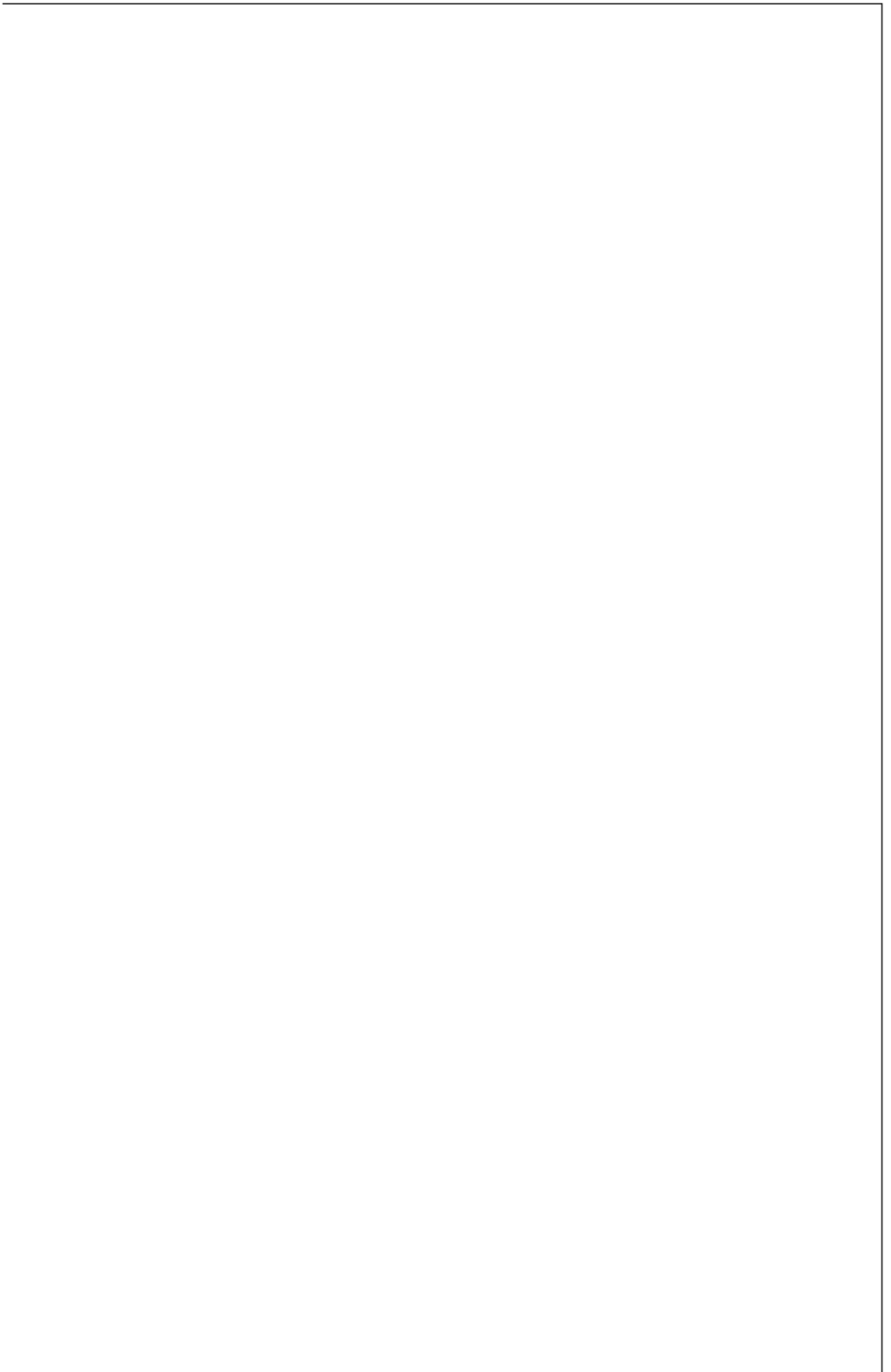


Fig. 7









From the Electrolux Group. The world's No.1 choice.

The Electrolux Group is the world's largest producer of powered appliances for kitchen, cleaning and outdoor use. More than 55 million Electrolux Group products (such as refrigerators, cookers, washing machines, vacuum cleaners, chain saws and lawn mowers) are sold each year to a value of approx. USD 14 billion in more than 150 countries around the world.

**AEG Hausgeräte GmbH
Postfach 1036
D-90327 Nürnberg**

**<http://www.aeg.hausgeraete.de>
<http://www.aeg.co.uk>**

© Copyright by AEG

LI13FC ed. 02/03