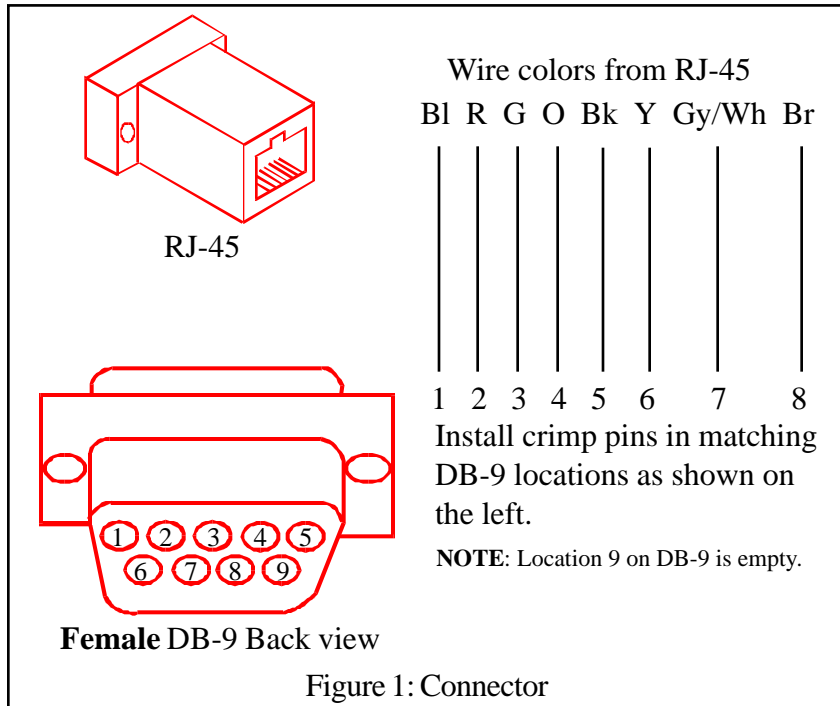


# INSTALLATION INSTRUCTIONS

## RS-232 Interface / Serial Printer Port

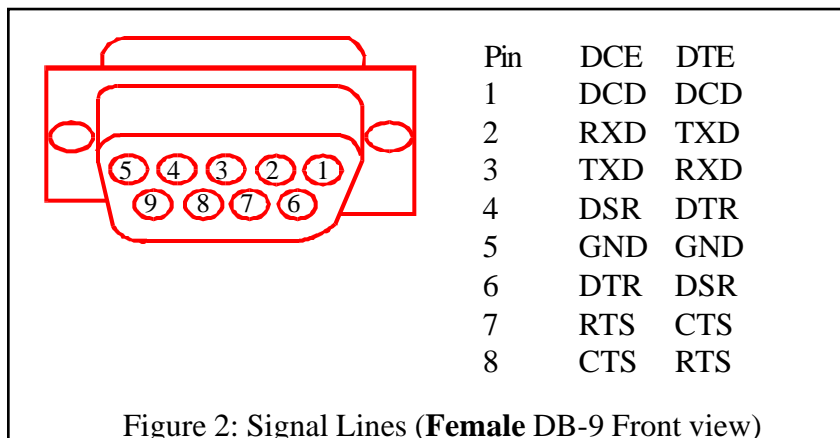
The hardware in this package provides an RS-232 interface to a Destiny control panel (**model Destiny 6100, software version 8.04 or later**). The interface can be used to provide 2-way communication with a personal computer, Remote System Mode with an RS-232 equipped controller, or to send a real-time log of system events to a serial printer.



**NOTE: Observe the drawing and the connector used and verify the color codes are equivalent.**

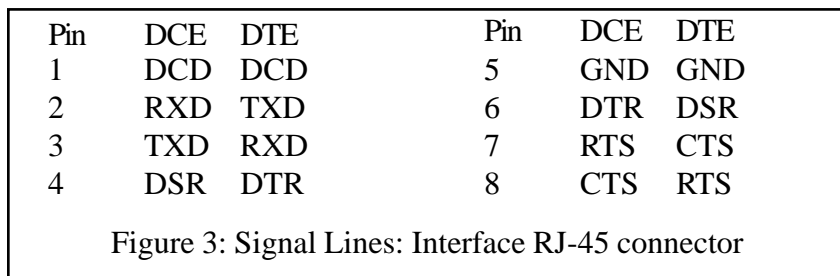
### Serial Printers:

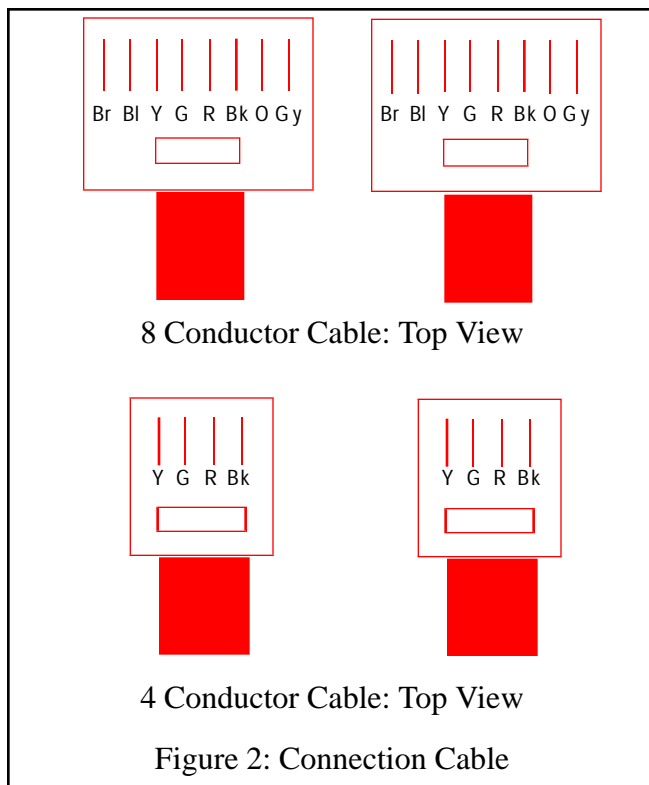
If your serial printer requires a male 9 or 25 pin connector, you can get a gender changer at an electronics store. Destiny 6100 panel software supports only GND, TXD, and RXD control lines. Some printers require additional control lines. You may need to jumper these control lines in order to use such printers. Consult your printer manual for further information.



### Signal Lines:

Figure 2 shows the configuration of signal lines in the RJ-45/DB-9 converter when wired as shown in Figure 1. Pin 1 for the RJ-45 connector (J4) is closest to the top of the board. Figure 3 shows the signal lines used in a custom installation with a DB-9 connector at J1 on the RS-232 board. The signal lines listed on the RS-232 Board pertain to this custom installation, not to the standard RJ-45.





**Cable:**

The RS-232 interface is attached to a RJ-45 to DB-9 connector with either a 4 conductor or 8 conductor “phone” cable. The cable is NOT pin compatible with standard 4 conductor phone cords. See Figure 2: Connection Cable. For a 4 conductor cable only pins 3,4,5,6 on the RJ-45 connector will be used. As of software revision 8.04 only pins 3,4,5,6 are supported eliminating the necessity for 8 conductor connections.

**Protocol:**

The 2-way RS-232 standard for the Destiny control panel is an open standard and is available by calling Technical Support at 800-272-7937.

**DTE vs. DCE:**

The RS-232 interface can operate in either Date Terminal Equipment (DTE) or Data Communication Equipment (DCE) mode. A jumper (J3) is located to the right of the RJ-45 on the interface board. Attach the supplied jumper across the center and bottom pin for DCE operation or the top two pins for DTE. Most applications will require DCE including connection to a PC and a printer.

**Programming:**

The following programming options are provided:

- 001 - Enable the RS-232 adapter
- 002 - Enable printer compatibility
- 004 - Use English Line text (for printers only)
- 008 - Enable 2-Way RS-232 communication (for PC connections)
- 064 - Enable Remote System Mode

Place the system into program mode (default: 9,1,7,3), enter location 0,1,5,5 and then enter the sum of options to be enabled. For example, to enable 2-way communication, enter 0,0,9 (001 + 008). For printing, enter 0,0,7 (001 + 002 + 004).

**Printer Reports:**

When enabled (as described in Programming, above), any event programmed to appear in the Event Memory Log will be printed when an event occurs. All items in the system that can be sent to a central station will be printed as the event occurs. The “Report to Central Station” programming option does not affect the printer report.

**Note: the RS-232 does not buffer events, if a printer is off-line the event will not be printed.**

**Format:**

The following is an example of the printer output when connected to the RS-232 port.

Event	User	Time	Month	Day
Open - System Disarmed	User = 01	13:23	July	29