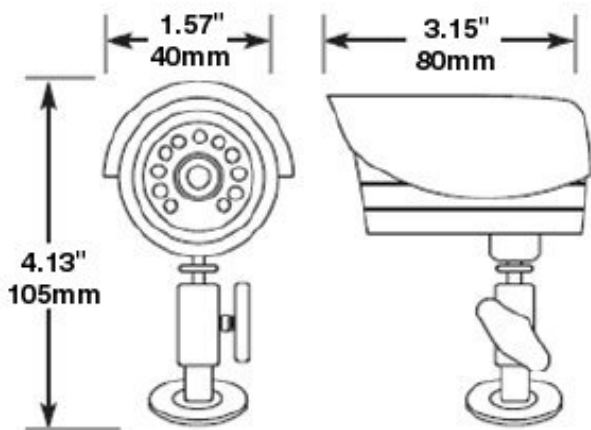


4. Camera Specifications

Specifications:

Image Sensor	1/3" Color CMOS
Effective Pixels	510 x 492
Scanning System	2:1 Interlace NTSC
Resolution	330 TV Lines
Video Output	1.0 Vpp @ 75 OHM
Lens	4.5mm Fixed F2.0
White Balance	AWB
AES	1/60 ~ 1/100,000 Sec.
Sync. System	Internal
Min. Illumination	3.0 LUX
Viewing Angle	70 Degrees Diagonal
Power Consumption	7.5V DC 180mA
Power Supply	7.5V DC 300mA
Operating Humidity	Less than 90%
Operating Temp	14°F ~ 122°F (-10° ~ 50°C)
Dimensions	3.15" (L) x 1.57" (D) 80mm (L) x 40mm (D)

Dimensions:



It's all on the web

- Product Information
- User Manuals
- Quick Start Guides
- Specification Sheets
- Software Upgrades
- Firmware Upgrades



VISIT
www.lorexcctv.com

LOREX Technology Inc.
Copyright © 2007 LOREX Technology Inc. As our products are subject to continuous improvement, LOREX and its subsidiaries reserve the right to modify product design, specifications and prices, without notice and without incurring any obligation. E&OE

HOME & BUSINESS SECURITY

DAY / NIGHT COLOR CMOS BULLET
CAMERA

Model: SG7524 Series



Quick Set-up Guide



1. Package Contents



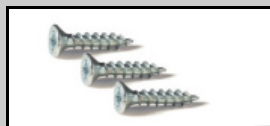
1 x Color CMOS Bullet Camera with Sunshade Housing



1 x 60 ft. (18m) DIN to RCA Extension Cable



1 x AC Power Adaptor



3 x Screws (for Camera Base attachment)

Features:

- Durable Weather resistant metal Camera suitable for Indoor or Outdoor installations*
- 11 high intensity IR LEDs provide illumination in low light conditions**
- Color video in standard lighting, automatically changes to B&W video in low light conditions.
- Easily Connects with RCA Video input.
- Easily mounts to walls

* Weather resistant against dust and light rain - IP44 Rated

**IR illumination range of 13' / 4m under ideal condition. Objects at or beyond this range may be partially or completely obscured

2. Installing the Video Camera

1. Attach the camera to the supplied stand. Mount the camera stand to the desired mounting surface



The mounting stand is designed to permanently mount the camera to a surface.

2. Connect the Extension cable to the camera:

CAMERA DIN INPUT CABLE **VIDEO / POWER CONNECTIONS**



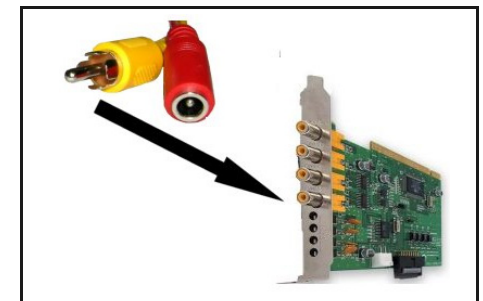
CONNECTIONS:

YELLOW: Video Connection
RED: Power Connection



3. Connecting the Camera

3. Connect the Yellow RCA Cable (on the Extension Cable) to the System.



RED: Connect to the Power Adaptor
YELLOW: Connect to the VIDEO port

4. Connect the A/C Power Adaptor to the Extension cable (Red connector). Plug the Power adaptor to a wall outlet



Setup Diagram:

