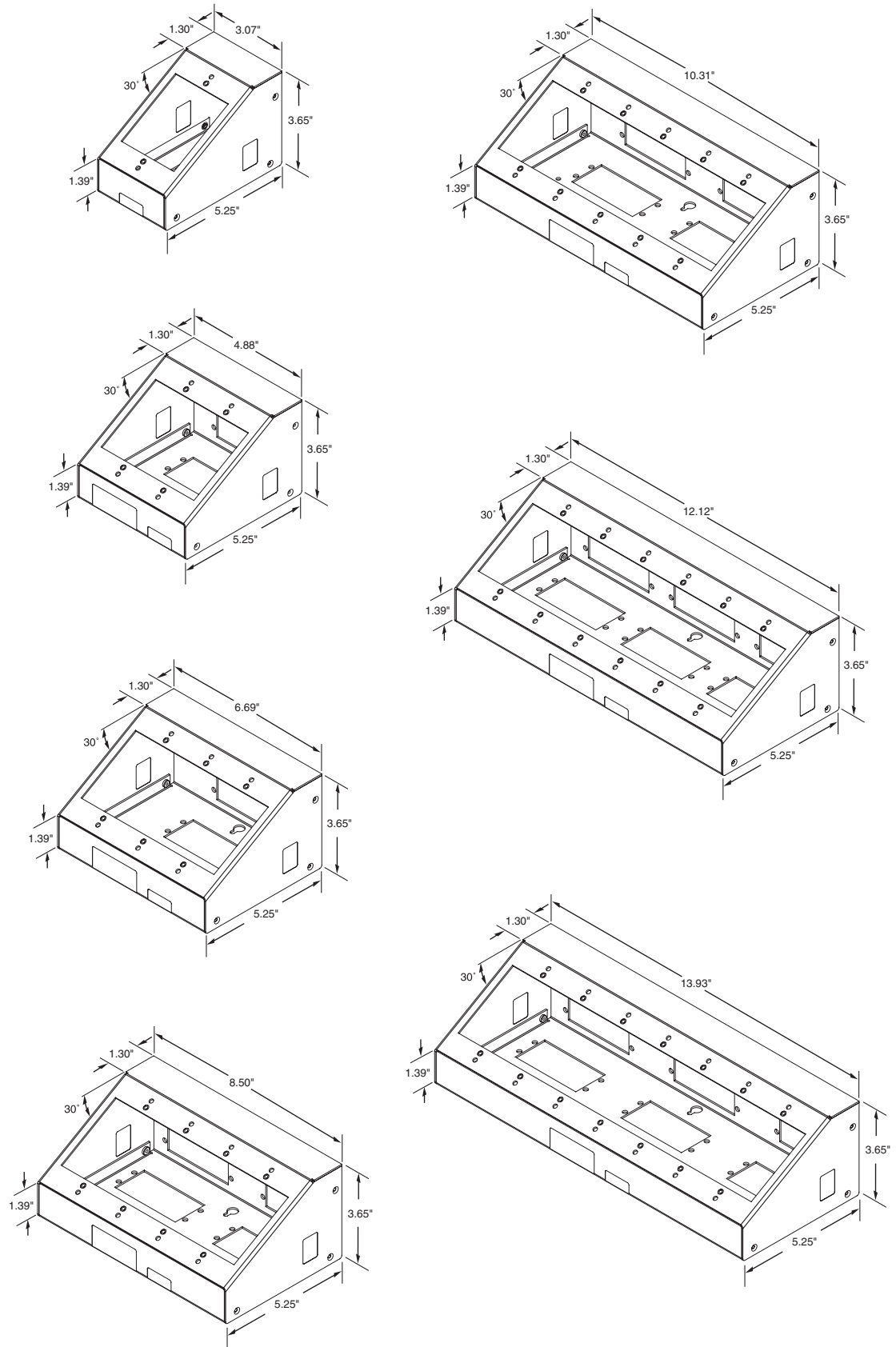


Specifications — SMB 100 Series

General

Mounting	Surface mountable or mountable to furniture including lecterns and tabletops
Enclosure type	Metal
Enclosure dimensions	
SMB 101	3.7" H x 3.1" W x 5.25" D (1 gang) 9.4 cm H x 7.9 cm W x 13.3 cm D
SMB 102	3.7" H x 4.9" W x 5.25" D (2 gang) 9.4 cm H x 12.4 cm W x 13.3 cm D
SMB 103	3.7" H x 6.7" W x 5.25" D (3 gang) 9.4 cm H x 17.0 cm W x 13.3 cm D
SMB 104	3.7" H x 8.5" W x 5.25" D (4 gang) 9.4 cm H x 21.6 cm W x 13.3 cm D
SMB 105	3.7" H x 10.3" W x 5.25" D (5 gang) 9.4 cm H x 26.2 cm W x 13.3 cm D
SMB 106	3.7" H x 12.1" W x 5.25" D (6 gang) 9.4 cm H x 30.7 cm W x 13.3 cm D
SMB 107	3.7" H x 13.9" W x 5.25" D (7 gang) 9.4 cm H x 35.3 cm W x 13.3 cm D
Number of accessible AAP openings	
SMB 101/102/103	1 double-space (back), 1 double-space (bottom)
SMB 104/105	2 double-space (back), 2 double-space (bottom)
SMB 106/107	3 double-space (back), 3 double-space (bottom)
Included blank AAP plates	
SMB 101/102/103	2 single-space
SMB 104/105	2 single-space, 1 double-space
SMB 106/107	2 single-space, 2 double-space
Bezel knockouts	(2) 0.96" H x 0.66" W (2.4 cm H x 1.7 cm W) per box
Raceway knockouts	
SMB 101	1 small
All other models	1 small, 1 large
Raceway knockout dimensions	
Small knockouts	0.48" H x 1.07" W (1.2 cm H x 2.7 cm W)
Large knockouts	0.9" H x 2.0" W (2.3 cm H x 5.1 cm W)
Desk mounting holes	2
Wall mounting slots	3
Front angle	60 degrees from vertical, 30 degrees from horizontal
Product weight	
SMB 101	0.9 lbs (0.4 kg)
SMB 102	1.2 lbs (0.5 kg)
SMB 103	1.5 lbs (0.7 kg)
SMB 104	1.8 lbs (0.8 kg)
SMB 105	2.1 lbs (1.0 kg)
SMB 106	2.3 lbs (1.0 kg)
SMB 107	2.6 lbs (1.2 kg)
Shipping weight	
SMB 101, SMB 102	2 lbs (1 kg)
SMB 103	3 lbs (1 kg)
SMB 104	3 lbs (2 kg)
SMB 105	4 lbs (2 kg)
SMB 106	7 lbs (3 kg)
SMB 107	7 lbs (4 kg)
Vibration	ISTA/NSTA 1A in carton (International Safe Transit Association)
Warranty	3 years parts and labor



NOTE Specifications are subject to change without notice.

(7.53-1029607-D4)