

52X DDS CD-RW Drive

**Dual Digital Storage
7 in 1 card reader compatibility**

User's Manual

**CLASS 1 LASER PRODUCT
APPAREIL A LASER DE CLASSE 1
LASER KLASSE 1
LUOKAN 1 LASERLAITE
PRODUIT LASER
CATEGORIE 1**

DANGER INVISIBLE LASER RADIATION WHEN OPEN AVOID DIRECT EXPOSURE TO BEAM
VORSICHT INSICHTBARE LASERSTRAHLUNG WENN ABDECKUNG GEÖFFNET NICHT
DEM STRAHL AUSSETZEN
ATTENTION RADIATION DU FAISCEAU LASER INVISIBLE EN CAS D'OUVERTURE.
EVITER TOUTE EXPOSITION AUX RAYONS.

Copyright Statement

It is a criminal offence, under applicable copyright laws, to make unauthorised copies of copyright-protected material, including computer programs, films, broadcasts and sound recordings. This equipment should not be used for such purposes.

FCC Compliance Statement

This device complies with Part 15 of the FCC Rules. Operation is subject to the following two conditions:

1. this device may not cause harmful interference, and
2. this device must accept any interference received, including interference that may cause undesired operation.

FCC Warning Statement

This equipment has been tested and found to comply with the limits for a Class B digital device, pursuant to Part 15 of the FCC Rules. These limits are designed to provide reasonable protection against harmful interference in a residential installation. This equipment generates, uses and can emit radio frequency energy and, if not installed or used in accordance with the instructions, may cause interference to radio communications. However, television reception interference can be determined by turning the equipment off and on. The user is encouraged to correct the interference by one or more of the following measures:

- Reorient or relocate the receiving antenna
- Increase the separation between the equipment and the receiver
- Connect the equipment into an outlet different from that to which the receiver is connected
- Consult the dealer or an experienced radio/TV technician for help.

CAUTION

Changes or modifications not expressly approved by the party responsible for compliance could void the user's authority to operate the equipment.

FOR EUROPE



“The drive is in conformity with the EMC directive and low-voltage directive.”

Table of Contents

<u>INTRODUCTION</u>	<u>1</u>
SYSTEM REQUIREMENTS	2
PACKAGE CONTENTS	2
<u>INSTALLATION</u>	<u>3</u>
HOST INTERFACE CONNECTIONS	3
HARDWARE INSTALLATION	4
SOFTWARE INSTALLATION	6
Windows Environment	6
<u>CONNECTION & OPERATION</u>	<u>7</u>
FRONT PANEL	7
REAR VIEW	9
<u>TECHNICAL DATA</u>	<u>11</u>

INTRODUCTION

Thank you for the purchase of this perfect and compact dual digital storage drive with the combination of an IDE CD-ReWritable drive and a USB-connected card reader.

This drive backs up all writing modes and different CD formats. It supports maximum 52x speed writing ability on CD-R discs, 32x speed on CD-RW discs and 52x speed reading performance. Other than that, the built-in 7 in 1 card reader which offers read-write capabilities of 7 memory card types simplifies the process of exchanging data between digital cameras, voice recorders, PDAs, MP3s... and your computer.

With this multi-functional solution and the bundled software package, you can view, archive, or write files/photos/video/music directly from the drive and enjoy the fascinating digital entertainment on your desktop.

Here are some important features:

- ◆ Easy installation with CD-RW drive of EIDE and card reader of USB 2.0 interface (on-board connection)
- ◆ 8X, 16X, 24X, 32X, 40X, 48X and 52X writing speed on CD-R media
- ◆ 4X, 10X, 12X, 16X, 20X, 24X and 32X writing speed on CD-RW media
- ◆ Adopts "MTKSuperLink" to prevent Buffer Underrun
- ◆ Supports MultiRead function
- ◆ Supports writing modes of TAO, DAO, SAO and packet writing
- ◆ Four-slot integration of the card reader works with CompactFlash, MicroDrive, Memory Stick, Memory Stick Pro, MultiMediaCard, Secure Digital, and SmartMedia
- ◆ Convenient connection with A-Type USB Extension Port on the front panel

System Requirements

For IBM compatible PCs, the system requirements recommended are as follows:

- ◆ Pentium II 350MHz above with at least 64MB of memory
- ◆ Fast and sufficient hard disk space (minimum 200MB for installation, 1GB or more is recommended.)
- ◆ IDE host interface supporting ATAPI MMC command & USB host interface (if you don't have USB on-board connection)
- ◆ Operating system: Microsoft Windows 98SE/ME/2000/XP

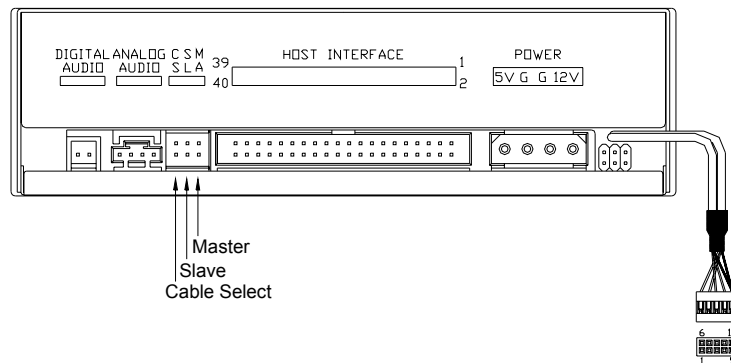
Package Contents

- ◆ 52X DDS CD-RW Drive
- ◆ Audio cable
- ◆ Application software disc
- ◆ Quick Installation Guide

INSTALLATION

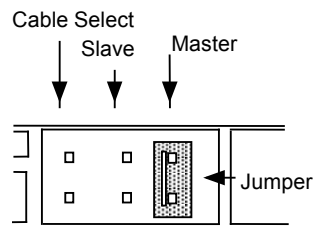
Host Interface Connections

Most current motherboards have two IDE ports (primary and secondary) which can connect two IDE cables. Two IDE cables allow you to connect up to four devices, but it is recommended that you separate IDE ports for your hard disk and your CD-ReWritable drive. This will ensure that your hard disk's performance and speed won't be affected by having the CD-RW drive on the same cable.



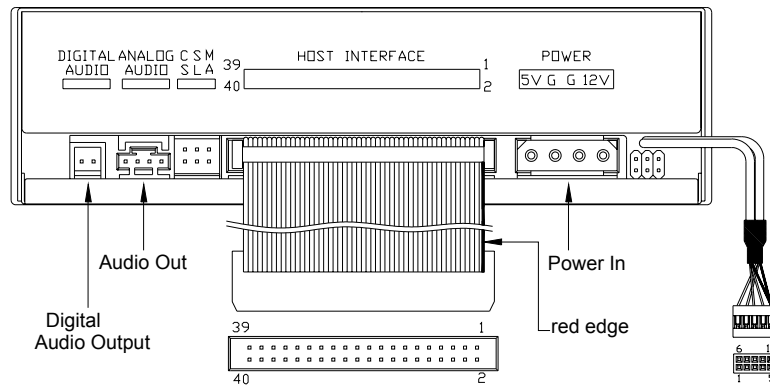
If you connect only one device on the cable, you can set the jumper as "MASTER" or "SLAVE".

If you connect two devices (e.g. CD-ROM & CD-RW) on the same cable, set different jumpers for each device (CD-ROM as "MASTER", CD-RW as "SLAVE" and vice versa.) The same rule applies to the connection of having your hard disk and another device on the same cable.



Hardware Installation

1. Turn off the power to the computer system.
2. Disconnect the power cord and all cables from the back of your computer, and then remove the cover of the computer.
3. Insert the drive into one of the vacant 5.25" drive bays and secure it with screws to your PC.
4. Connect one end of the 40-pin IDE cable to the IDE connector of this drive and the other end to the IDE port on your motherboard. Also, connect the power supply cable to the back of the drive.



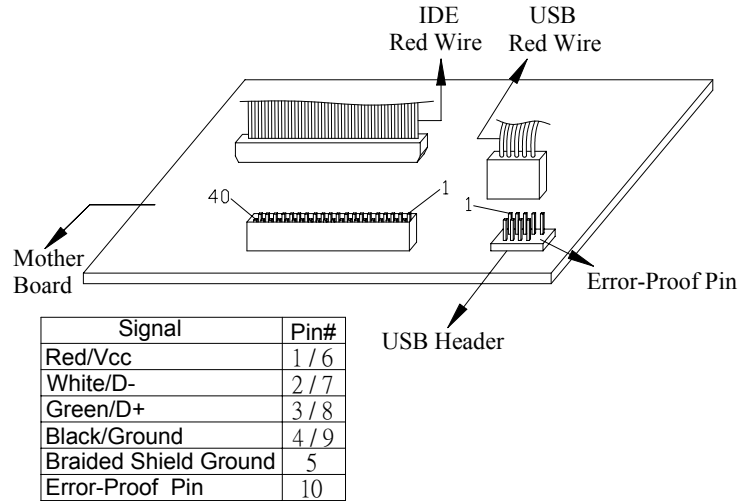
☞ *Make sure to align and connect the red-edge of the IDE Cable to Pin 1 on the drive.*

5. If you have a sound card that can be connected to this drive, you can connect the drive (as Audio-out) and the sound card (as Audio-in) with a 4-pin audio cable.

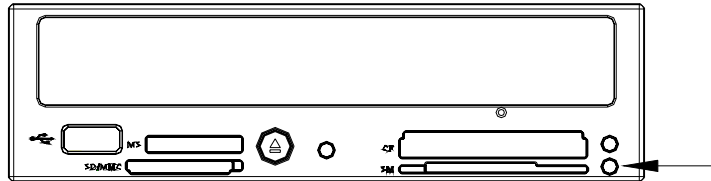
If your motherboard is integrated with built-in sound system, plug the 4-pin audio cable into the CD-IN connector on the motherboard as Audio-in.

6. Connect the USB cable at the back of the drive to the USB header on the computer's motherboard. The red wire of the cable needs to be plugged into Pin 1 on the board.

☞ *This drive supports USB 2.0 and if you connect to USB 1.1 connector, only transfer rate of USB 1.1 will be available.*



If the connection is correct, the lower right LED on the front panel will light **green**.



7. Re-attach the cover of your computer, and reconnect the power cord and all cables.

Software Installation

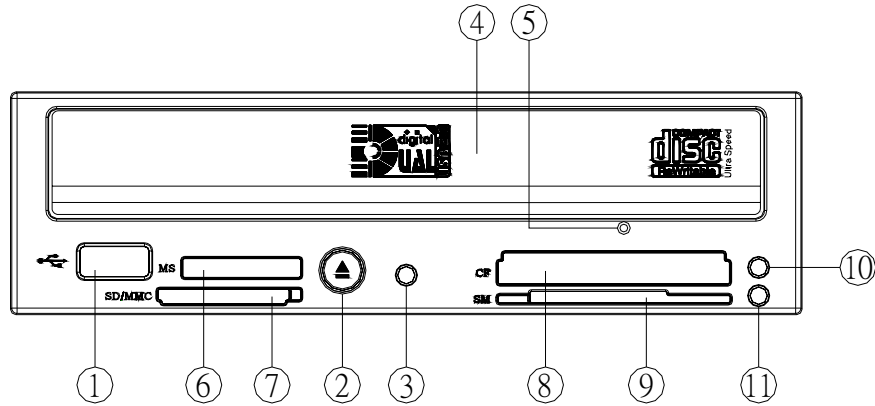
The bundled mastering software gives you the complete solution for making audio/data CDs. With the user-friendly interface, it guides you through the creation and backup of files/photos/video/music from your computer to a recordable compact disc. Combining of the card reader capabilities, no matter you are a novice or an experienced user; you can enrich your digital life with this best recording tool.

Windows Environment

1. Insert the application CD and the installation program will run automatically. Then follow the on-screen procedures.
- Or
2. Run:\setup.exe on the application CD.

CONNECTION & OPERATION

Front Panel



1. A-Type USB Extension Port

This USB port is Plug-and-Play Ready. Just plug your USB device and the computer will detect automatically.

2. Close/Eject Button

This button opens and closes the disc tray. If the tray is closed, pressing the button will eject it.

3. LED Indicator (the CD-RW drive)

Flashes “green” while verifying or reading a disc.

Flashes “amber” while writing a CD-R/CD-RW disc.

4. Disc Tray

Place the disc in the tray here, and then press the Close/Eject button or lightly push the tray to close it.

5. Emergency Eject Hole

When the Close/Eject button doesn't work properly and the disc tray can't be opened, you can insert a paper clip or a small rod into this hole for manual ejection. Please make sure to power off the system before you do that.

6. Slot for Memory Stick (MS)/Memory Stick Pro (MS Pro)

7. Slot for Secure Digital (SD)/MultiMediaCard (MMC)

8. Slot for Compact Flash (CF) Type I, II/MicroDrive

9. Slot for Smart Media

10. LED Indicator (the Card Reader)

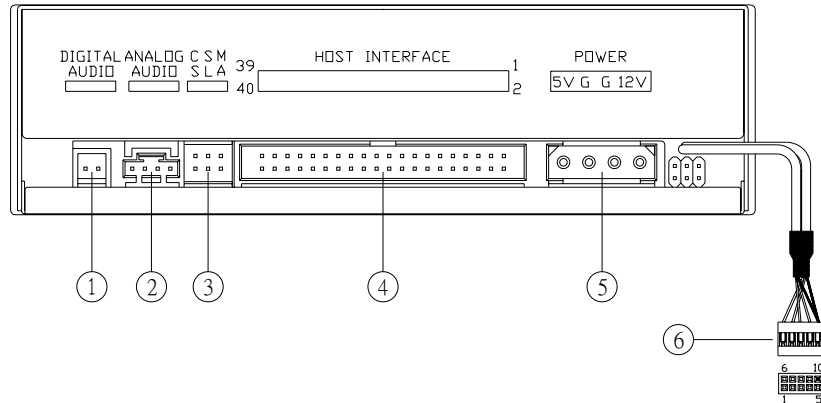
When the data of the memory card is being accessed, the LED flashes **red**.

11. LED Indicator (the Card Reader)

Once the USB cable is correctly connected, this LED will light **green**, which means the card slots are ready to use.

NOTE: The front panel is subject to change without notice.

Rear View



1. Digital Audio Output Connector

If your sound card has a digital audio IEC958 format connector, you can connect it to this digital audio output connector with a 2-pin audio cable.

2. Analog Audio Output Connector

This connector allows you to connect the drive to your sound card with a 4-pin audio cable.

3. Device Configuration Jumper

Set the jumper to Master, Slave or Cable Select according to your system configuration.

4. IDE Interface Connector

Plug one end of the 40-pin IDE cable here to join the 40-pin IDE connector on the motherboard. The red-edge of the IDE cable must be connected to Pin 1 of each connector.

5. Power Supply Connector

By plugging the computer's power supply cable here, you can connect the drive and your computer system.

6. USB Cable

Connect the USB cable to the USB connector on the motherboard. The red wire of the cable needs to be plugged into Pin 1 on the board.

TECHNICAL DATA

Interface	CD-RW Drive: EIDE Card Reader: USB 2.0
Form factor	5.25" Half Height
Writing speed	CD-R: 8X/16X/24X/32X/40X/48X/52X CD-RW: 4X/10X/12X/16X/20X/24X/32X
Writing modes	TAO (Track at once), DAO (Disc At Once), SAO (Session at once), Multi-session, Packet Writing
Digital Media	CompactFlash, MicroDrive, Memory Stick, Memory Stick Pro, SmartMedia, MultiMediaCard, and Secure Digital
CD format support	CD-DA, CD-ROM, CD-ROM XA, CD-I, Photo CD, CD-TEXT, Video CD, CD-Extra, CD-R, CD-RW, CD-UDF
Transfer rate	
CD-RW Drive	Read: CD-ROM/CD-R: 7800KB/s (up to 52X) CD-RW: 4800KB/s (up to 32X) Write: CD-R 7800KB/s (up to 52X) CD-RW 4800KB/s (up to 32X)
Card Reader	480Mb/s (USB 2.0)
Data buffer	2MB

Access time	90ms at 1/3 stroke(52X CD-ROM) 180ms at full stroke(52X CD-ROM) 99ms at 1/3 stroke (32X CD-RW) 200ms at full stroke (32X CD-RW)
Disc loading	Tray (motorised), Dust Sealed
Audio output level	Line out = 0.6 ± 10%Vrms
Power	5 VDC & 12VDC Card Reader power directly from computer power supply through USB connection
Dimensions	
Height	41.8 ± 0.2 mm
Width	148.6 ± 0.2 mm
Depth	193.3 ± 0.3mm
Weight	1 kg

Disc Specification

Capacity

120mm disc:	74min	650MBytes	Mode-1
	80min	700MBytes	Mode-1
	90min	800MBytes	Mode-1
80mm disc:	18min	158Mbytes	Mode-1
	21min	184MBytes	Mode-1

Environment

Temperature

Operating	5°C to 45°C
Non-operating	-20°C to 60°C

Humidity

Operating	8% ~ 80%RH
Non-operating	5% ~ 95%RH

3100552210
Version 1.2
April 2004