

SITELINK-E

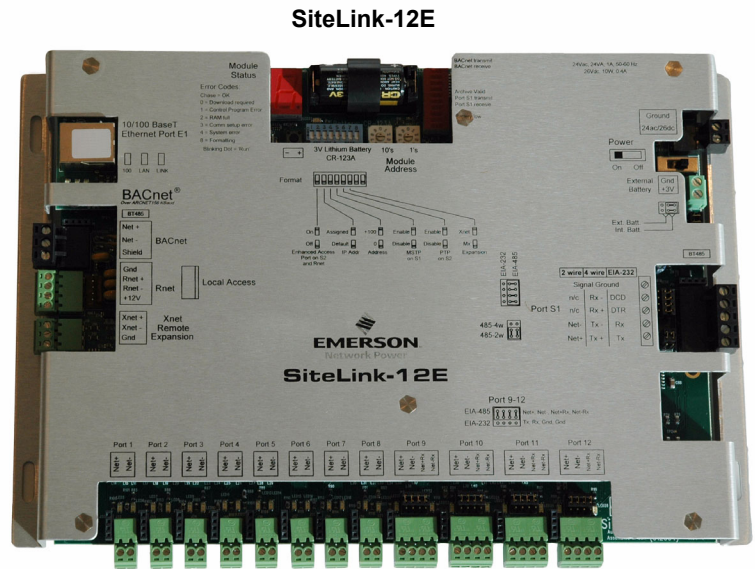
Product Specification/Installation Sheet

Description

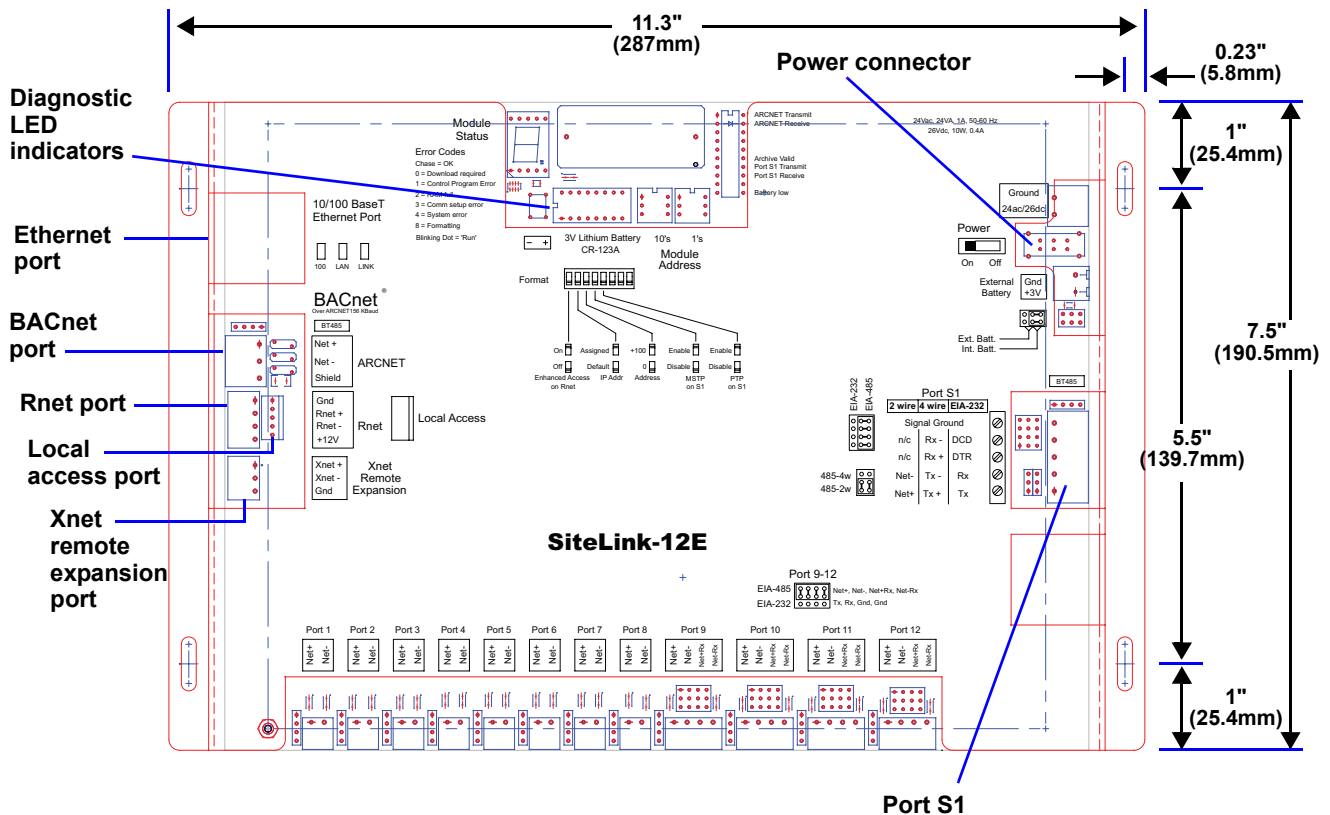
The Liebert SiteLink-E is a product platform that comes in three models: SiteLink-12E, -4E and -2E. The models differ only in the number of Emerson family ports at the bottom of the module.

SiteLink-E supports Emerson interfaces as a BACnet router that provides the communications link between Liebert units and other protocols and modules.

The SiteLink-E is designed to communicate with Liebert equipment—environmental units, UPSs and Power Distribution Units—and route the information over a BACnet, Modbus or LONWorks™ network to a Building Automation System (BAS) workstation.



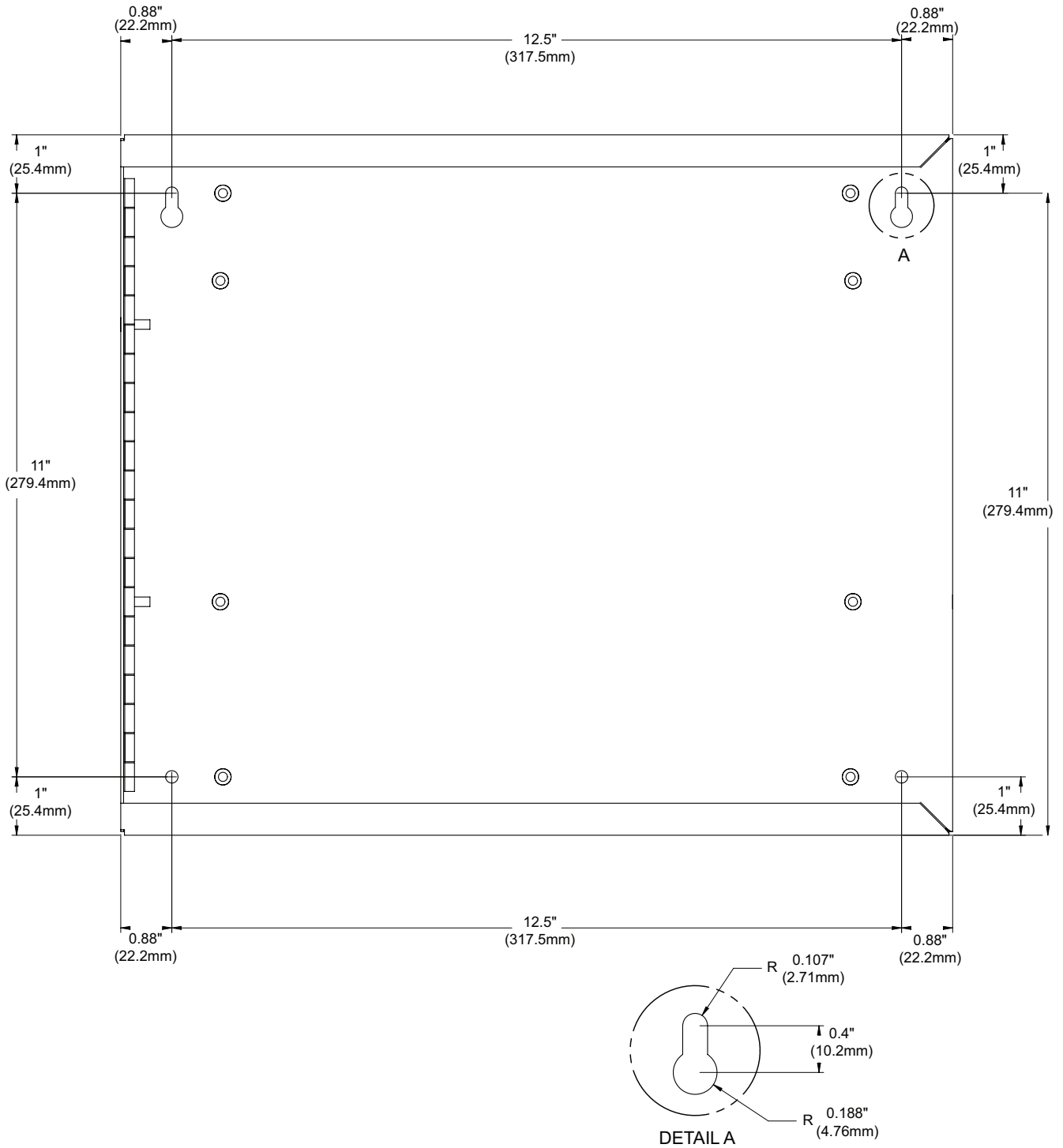
Module Dimensions and Layout



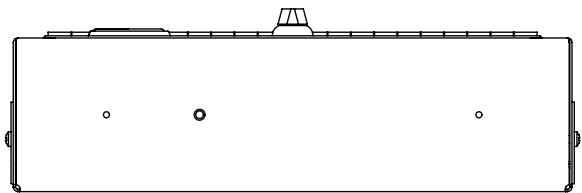
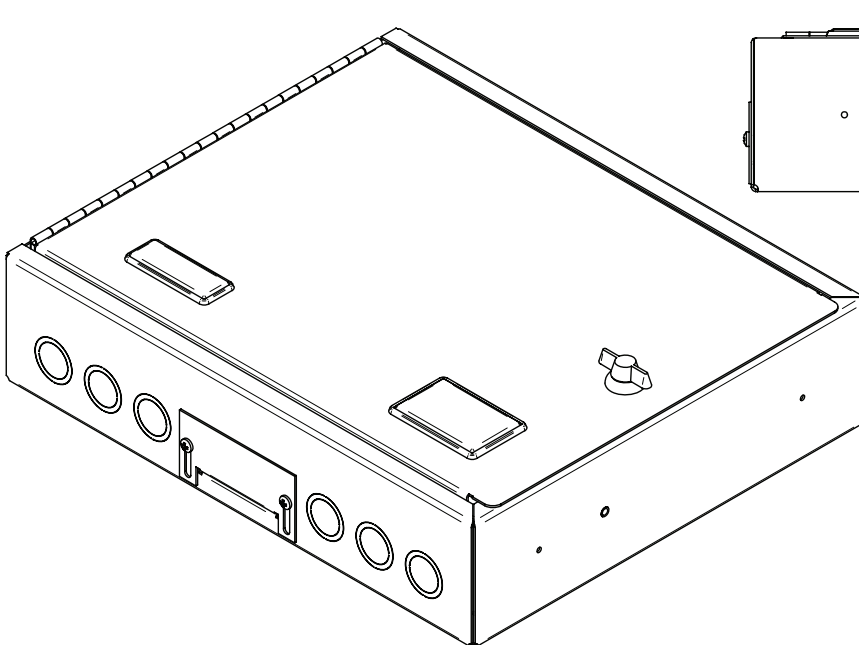
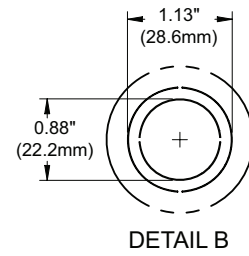
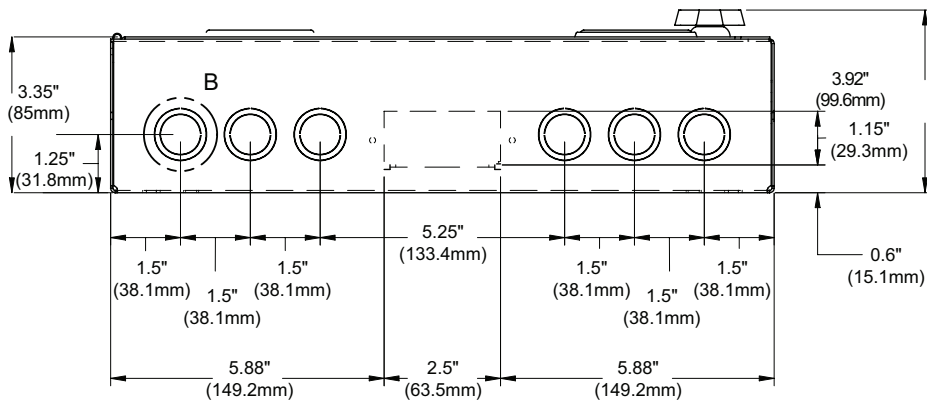
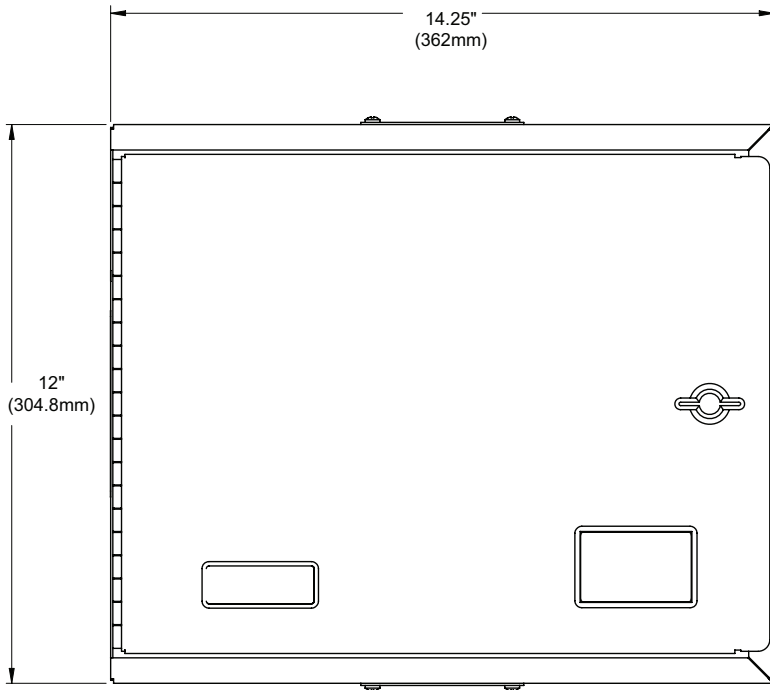
Enclosure Mounting

The enclosure may be mounted on a wall or on the floor. Refer to the following diagrams for your application.

Enclosure Mounting Diagrams



Enclosure Mounting Diagrams (continued)



Specifications

Power	24VAC ±10%, 50 to 60Hz, 24VA, or 26VDC ±10%, 10W, 48VDC		
Dimensions W x D x H: in. (mm)	Module: 11.3 x 0.56 x 7.5 (287 x 14.2 x 190.5) Enclosure (brushed aluminum): 14.25 x 2.85 x 12 (362 x 72.4 x 304.8)		
Communication Ports			
• Ethernet Port	10/100Base-T Fast Ethernet port.		
• ARC156 Port	ARCNET156 or EIA-485 communication. In ARCNET156 mode, the port communicates via BACnet ARC156.		
• TPI Port S1	EIA-232/422/485 configurable port for interaction with 3rd-party building automation systems via software-selectable protocols. May also be configured for remote modem access.		
• EIA-422/485 Ports 1-12 - for communication with equipment via software-selectable protocols & baud rates	Each port can be individually set for different protocols & baud rates. The number of ports varies by model:		
	SiteLink-2E (SSW-2E)	SiteLink-4E (SSW-4E)	SiteLink-12E (SSW-12E)
	• Ports 11-12 These two ports include an option for EIA-232 connection.	• Ports 9-12 These four ports include an option for EIA-232 connection.	• Ports 1-12 Four of these 12 ports (9-12) include an option for EIA-232 connection.
Environmental Operating Range	20°F to 140°F (-29°C to 60°C); 10 to 90% relative humidity, non-condensing Note: Control modules should be installed within the building.		
Memory	16 MByte non-volatile battery-backed SDRAM and 8 MByte Flash		
Protection	Built-in surge and transient protection circuitry - internal solid state polyswitches on incoming power and network communications connections		
Battery	3V lithium battery P/N CR-123A; battery shelf life is 10 years with 720 hours of continuous operation		
Fault Detection	Hardware watchdog timer		
Agency Listings	UL, cUL, CE, FCC		

Wiring Specifications

Connection	Supported Wire Types	Maximum Wire Length	Rating
Ethernet 10 BaseT	CAT 5	328 ft. (100m)	N/A
BACnet Port	MAGNUM Cable P/N A3-ARC-156-2	3000 ft. (915m)	N/A
Port S1 EIA-485	18-22 AWG Stranded & Shielded; 18 AWG (recommended) Non Plenum - Belden 9461; Plenum - Belden 88761	1000 ft. (300m)	N/A
Port S1 EIA-232	18-22 AWG Stranded & Shielded; 18 AWG (recommended) Non Plenum - Belden 9461; Plenum - Belden 88761	50 ft. (15m)	N/A

Ordering Information

Quantity	Part #	Description
	SSW-12E	SiteLink-12E with enclosure - communicates with up to 12 Liebert unit controllers
	SSW-12EWO	SiteLink-12E without enclosure - communicates with up to 12 Liebert unit controllers
	SSW-4E	SiteLink-4E with enclosure - communicates with up to 4 Liebert unit controllers
	SSW-4EWO	SiteLink-4E without enclosure - communicates with up to 4 Liebert unit controllers
	SSW-2E	SiteLink-2E with enclosure - communicates with up to 2 Liebert unit controllers
	SSW-2EWO	SiteLink-2E without enclosure - communicates with up to 2 Liebert unit controllers



Liebert Corporation

1050 Dearborn Drive
P.O. Box 29186
Columbus, OH 43229

Telephone: 1-800-877-9222
Facsimile: 1-614-841-6022
www.liebert.com



© 2007 Liebert Corporation
All rights reserved throughout the world. Specifications subject to change without notice.

® Liebert and the Liebert logo are registered trademarks of Liebert Corporation. All names referred to are trademarks or registered trademarks of their respective owners.

SL-27218_REV0_01-07