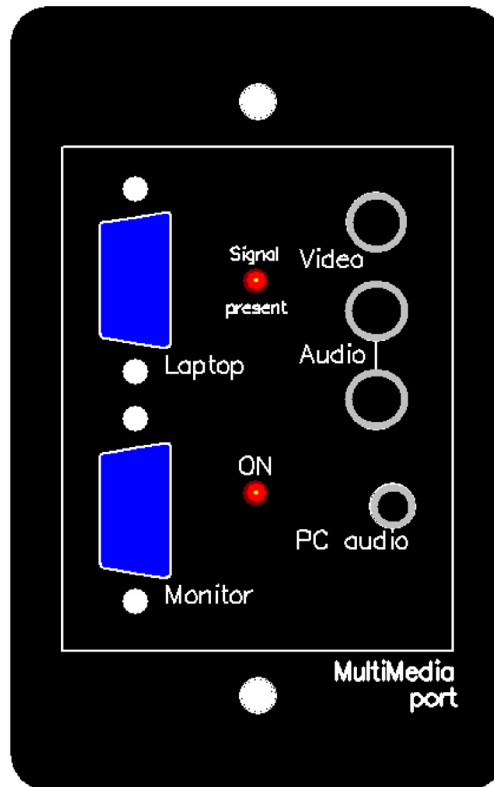


# EIKI



## Eiki A-6 Multi Media Port Instruction Manual

<b>Package contents</b>	
<b><i>Item</i></b>	<b><i>Qty.</i></b>
Multi Media Port	1
Interface cable	1
Screw terminal plugs	2
<b><i>Please note:</i></b>	
Because its function can be shared with other equipment in a system, a DC power supply is not included.	
For standalone use, the power supply you use should be capable of supplying 9 to 16 volts DC at up to 100mA.	

## To the System Integrator

Thank you for choosing **Eiki A-6**.

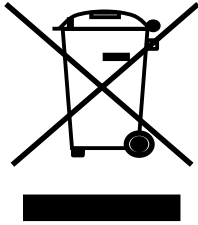
The Eiki A-6 Multi Media Port is ideal for "smart classroom" projector installations that combine fixed PC and AV equipment with the ability to plug in portable devices such as laptops. The A-6 is a compact, easy to install integrated wallplate and VGA-AV switcher that is an ideal companion to the MCS-1 Multi Control System.

## For your safety

Please ensure that any wiring used to connect an A-6 to other equipment is kept clear of mains wiring and follows applicable local wiring codes. Under **no circumstances** may an A-6 be connected directly to power mains wiring.

Please ensure that the power supply you are using meets your local safety regulations and that its voltage does not exceed 16 volts DC. Unregulated power supplies can output voltages that are well above what is shown on their label.

**NOTE:** This symbol and recycle system apply to EU countries only and do not apply to countries in other areas of the world.



Your EIKI product is designed and manufactured with high quality materials and components which can be recycled and reused.

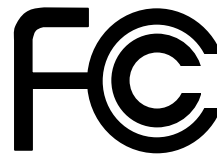
This symbol means that electrical and electronic equipment, at their end-of-life, should be disposed of separately from your household

Please dispose of this equipment at your local community waste collection/recycling centre. In the European Union there are separate collection systems for used electrical and electronic products.



EIKI

A-6



Tested To Comply  
With FCC Standards

**FOR HOME OR OFFICE USE**

## Federal Communication Commission Notice

Note: This equipment has been tested and found to comply with the limits for a Class B digital device, pursuant to part 15 of the FCC Rules. These limits are designed to provide reasonable protection against harmful interference in a residential installation. This equipment generates, uses and can radiate radio frequency energy and, if not installed and used in accordance with the instructions, may cause harmful interference to radio communications. However, there is no guarantee that interference will not occur in a particular installation. If this equipment does cause harmful interference to radio or television reception, which can be determined by turning the equipment off and on, the user is encouraged to try to correct the interference by one or more of the following measures:

- Reorient or relocate the receiving antenna.
- Increase the separation between the equipment and receiver.
- Connect the equipment into an outlet on a circuit different from that to which the receiver is connected.
- Consult the dealer or an experienced radio/TV technician for help.

Do not make any changes or modifications to the equipment unless otherwise specified in the instructions. If such changes or modifications should be made, you could be required to stop operation of the equipment.

Model Number : A-6

Trade Name : EIKI

Responsible party : EIKI International, Inc.

Address : 30251 Esperanza Rancho Santa Margarita CA 92688-2132

Telephone No. : 800-242-3454 (949-457-0200)

## Introduction

The A-6 Multi Media Port combines the following functions:

- Input plate
- Four input Audio-video switcher
- Two input RGBHV switcher
- RGBHV splitter

in a single-gang wallplate. The Eiki A-6 greatly simplifies installation and cabling and avoids the need in most cases for video/audio and RGBHV switchers.

Anyone who has ever had to manage AV facilities will appreciate these unique features of the MultiMedia Port:

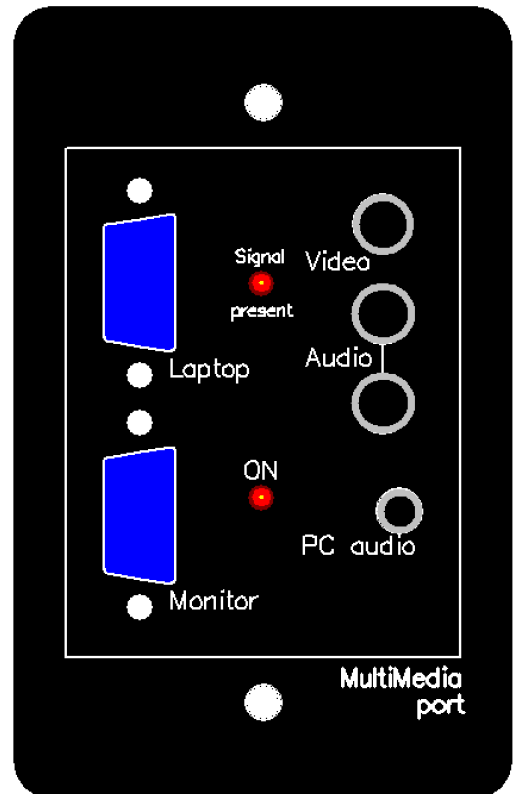
- A fast-response "Signal Present" indicator LED for the laptop input helps a user to quickly set up a laptop so that it is outputting a signal.
- MultiMedia Ports can be installed in different parts of a room and "daisy-chained" to create an economical multi-point input solution with minimal wiring and no central switchers.
- A "Monitor" output allows a desktop PC to display its output on a projector and its own monitor at the same time.

The diagrams on this page show the inputs and outputs that are available on the A-6 Multi Media Port. The rear connections use screw terminal plugs to simplify the installation of fixed wiring.

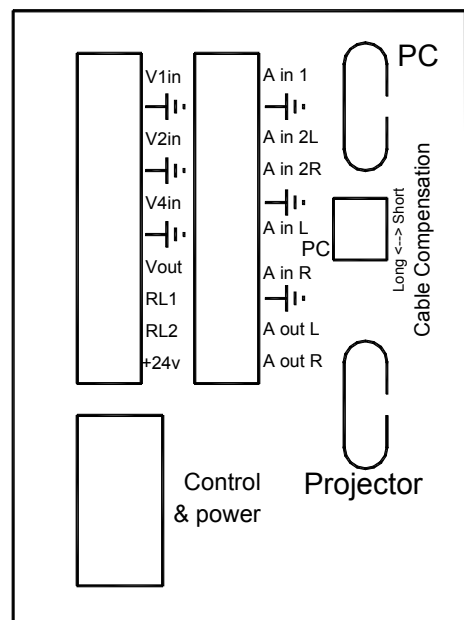
The Eiki A-6 is an ideal companion for the Eiki MCS-1 and connects directly to it with the supplied interface cable.

The A-6 may also be controlled by other systems. It includes video sensor outputs that may be read by external equipment. Or the A-6 may be used standalone and locked to any fixed input arrangement by a combination of connections on the interface cable.

**Please note** that the Cable Compensation provision marked on the rear of the unit is not implemented in current production.



Front view



Rear view

## Input terminals

**On the front of the unit there are the following connections:**

- One VGA input
- One VGA monitor output. This follows the output of the switcher.
- Two RCA sockets for line audio, shared with a 3.5mm stereo jack
- One RCA socket for composite video input.

The audio and video inputs are accessed together as Input 3. The VGA input is switched separately. If you want to use the audio inputs with the VGA input you have to select them separately as AV input 3.

**On the rear of the unit there are the following connections:**

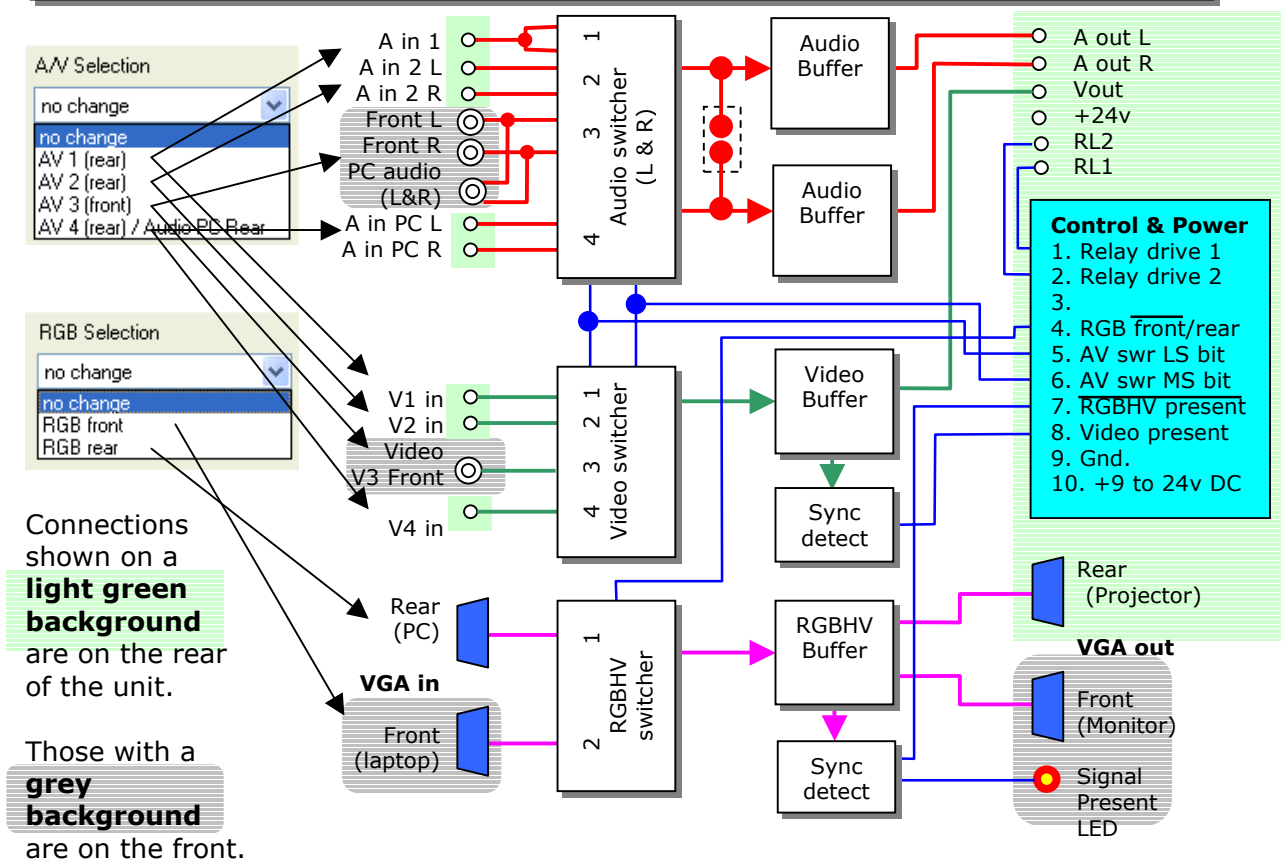
- One VGA input on HDB15 connector
- One VGA projector output on HDB15 connector
- Three audio inputs on screw terminal connectors. Input 1 is a mono input.
- Three video inputs on screw terminal connectors.
- One pair of stereo audio outputs on screw terminal connectors
- One Composite video output on screw terminal connectors
- Two breakout connections from the Control and Power socket for relay drive. (See notes on the following page for more information.)

Audio input 4 would normally be used in conjunction with the rear PC input.

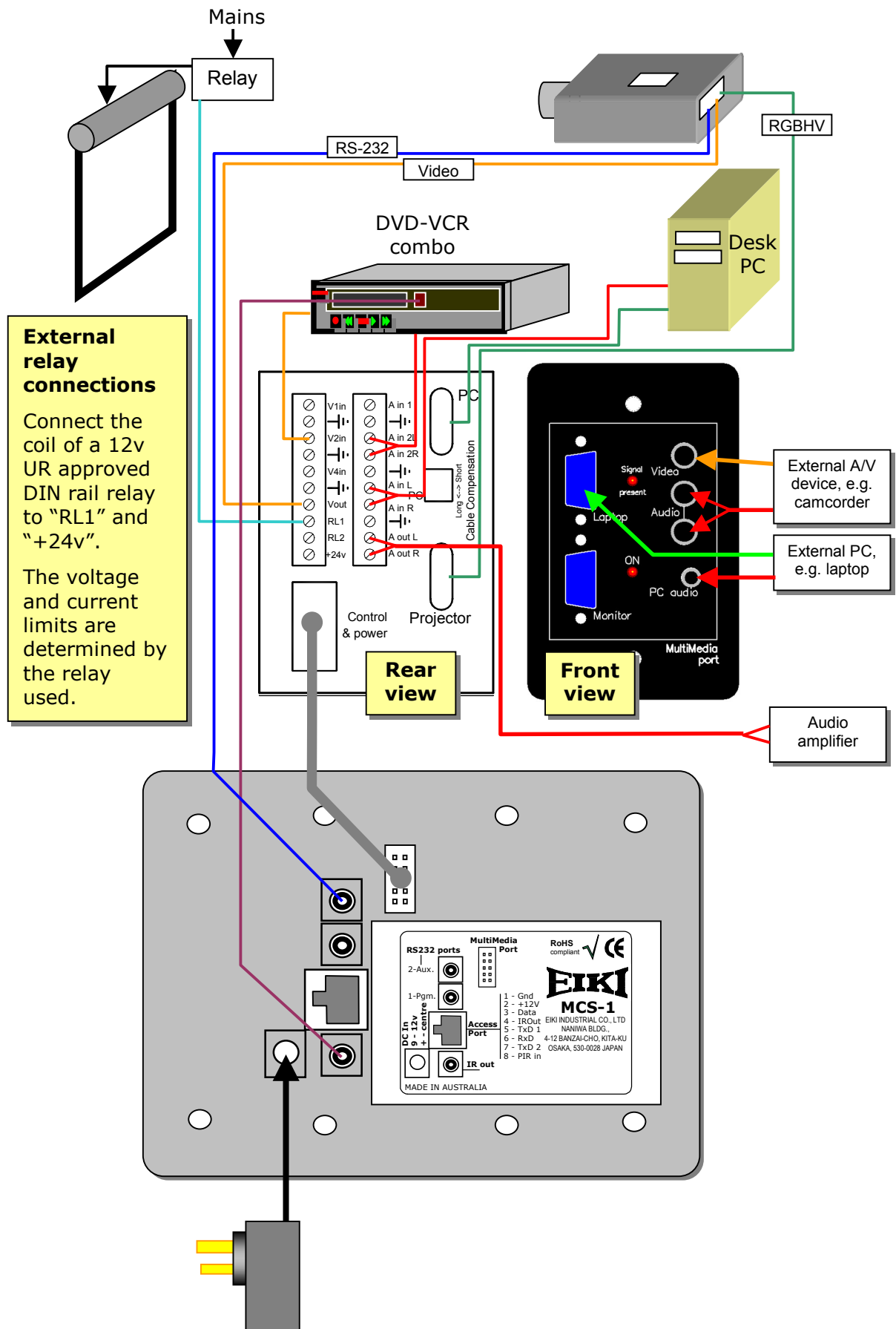
There is an internal 2 pin jumper that, when linked, converts to output to mono by combining L and R audio signals.

With no control inputs asserted, AV 1 and the rear VGA input is selected.

**Block diagram of the A-6 Multi Media port showing programming interface.**



## A typical application using an MCS-1 for control



## Programming an MCS-1 to control the A-6 Multi Media Port

- In the Eiki Control System Editor, select MCS-1 as your device.
- In "Edit behaviour" mode, double-click the key you wish to program. A dialog like that shown will appear.
- You can choose the inputs of the A-6 you wish to select when the button is pressed by using the drop-down items in the Multimedia Port section, as shown.
- Eiki Control System Editor software version 2.7.15 or later has a "Relay Output" drop-down item that allows you to operate an external relay which can be used to control a motorised screen or lights, for example.
- Make sure that when you are programming keys that should not change the state on the A-6 Multi Media Port, the selections are left at the default of "No change".

**Normal key "Row 1, Col 6" on "Screen 1"**

Transmit code sequence

Other actions

Multimedia Port

A/V Selection: AV 1 (rear)

RGB Selection: RGB front

Relay output: ON

LED State: Off

Print Circle:

OK

Cancel

**"AV 1 (rear)"** will select **A in 1** and **V1 in** inputs on the rear of the unit. Audio and video inputs are switched simultaneously.

**"RGB front"** will select the VGA socket marked **"Laptop"** on the front of the unit. **Please note** that any audio associated with an RGB input must be selected separately using the **A/V Selection** drop-down. Audio for RGB Front would be selected with **"AV 3 (front)"**

## Interfacing to the MultiMedia Port.

If you wish to control the A-6 internal switchers in some other way, or configure the unit as a standalone, fixed input wallplate, you will need to know the control port connector pinouts for the ribbon cable. They are as follows:

Pin	Function	Type	Comment
1	Relay output	Logic Low	RL1
2	Relay output	Logic Low	RL2 (not implemented on MCS-1)
3	GP output 2		Not used
4	RGBHV source	Logic Low input	Low = Front PC input
5	AV source 1	Logic Low input	See table below
6	AV source 2	Logic Low input	See table below
7	RGBHV sense	Logic output	
8	Video sense	Logic output	
9	GND		
10	+24 v	Power	Any positive voltage from 9v to 30v. DC.

### AV switcher truth table

Input	Pin 5	Pin 6	Comments
AV in 1 (rear)	H	H	Audio 1 is mono. Video 1. On rear
AV in 2 (rear)	L	H	Audio and video 2 on rear
Video & Audio 3 (front)	H	L	Audio shared with front PC socket Front video input
A in PC (rear)	L	L	Audio from rear PC socket Video 4 input rear

"H" = not connected.

"L" = connected to pin 9

# EIKI

## **U.S.A.**

---

EIKI International, Inc.  
30251 Esperanza  
Rancho Santa Margarita  
CA 92688-2132  
U.S.A.  
Tel : 800-242-3454 (949)-457-0200  
Fax : 800-457-3454 (949)-457-7878  
E-Mail : usa@eiki.com

## **Canada**

---

EIKI CANADA - Eiki International, Inc.  
P.O. Box 156, 310 First St. - Unit 2,  
Midland, ON, L4R 4K8, Canada  
Tel : 800-563-3454 (705)-527-4084  
Fax : 800-567-4069 (705)-527-4087  
E-Mail : canada@eiki.com

## **Deutschland & Österreich**

---

EIKI Deutschland GmbH  
Am Frauwald 12  
65510 Idstein  
Deutschland  
Tel : 06126-9371-0  
Fax : 06126-9371-14  
E-Mail : info@eiki.de

## **Eastern Europe**

---

EIKI CZECH spol. s.r.o.  
Umělecká 15  
170 00 Praha 7  
Czech Republic  
Tel : +42 02 20570024  
+42 02 20571413  
Fax : +42 02 20571411  
E-Mail : easterneurope@eiki.de

## **Eiki (Shanghai) Co., LTD**

---

1. Dapu Road,  
Golden Magnolia Plaza  
#2109 Shanghai,  
200023 China  
Tel : 86-21-5396-0088  
Fax : 86-21-5396-0318  
E-mail : info@eikichina.com.cn

## **Japan & Worldwide**

---

EIKI Industrial Company Limited.  
4-12 Banzai-Cho, Kita-Ku, Osaka,  
530-0028 Japan  
Tel : +81-6-6311-9479  
Fax : +81-6-6311-8486  
E-Mail : japan@eiki.com

**For the latest software and information go to:**

**WorldWide Website <http://www.eiki.com>**