

# Electrolux 800 thermaline h = 800 mm

## Gas top on electric oven

The Electrolux 800-Thermaline of cooking equipment is designed for heavy duty use where space is at a premium. The series consist of a wide choice of modular elements that can be installed as individual, free-standing units or assembled into a complete cooking suite made virtually seamless by means of cleverly-designed connecting rails. The models detailed on this sheet combine a gas burner top mounted above an electric oven, with models available for operation from one side only or from both sides to suit a central cooking island. Installation options are floor mounted on 100 or 200 mm high feet or a plinth which can be either steel or masonry construction.



580408 with accessories

### EASY TO USE

- Three burner sizes to suit different cooking requirements from rapid boiling to a gentle simmer.
- Manual gas valves with fixed high and low positions allow a precise control of the flame intensity.
- Large sized pan rests (330x330 mm) in enamelled cast iron with long centre fins to allow the use of the largest down to the smallest pans.
- Pan rests and work top at the same level allow moving pans from one appliance to another without lifting.
- Convenient operation with highly visible control panels and knobs.

- Electric roasting and baking oven for two GN2/1 shelves or containers. Individual thermostatic control to upper and lower heating elements.
- Oven temperature up to 350°C.
- Thick steel base plate for the even temperature distribution and storage.
- Optional base plate with a fire clay element provides a very uniform distribution and long term storage of the oven heat; it is beneficial for sensitive patisserie.
- The upper heat of the oven can also be used for grilling.
- A vent can be opened to allow vapour to escape from the oven when cooking food with a high water content.

- All appliances conform to ruling European safety and hygiene standards and are CE marked.
- Type-approved by an international standards authority and certified.

### EASY TO MAINTAIN

- Flat spillage trays in AISI 304 stainless steel with cleaning openings on front and rear side with removable pan rests, burner, rings and flame ignition parts.
- Body and support are made of AISI 304 stainless steel.
- No gaps or dirt traps between adjoining appliances when connecting rails are fitted.
- All major components may be easily accessed from the front.



**Electrolux**

**thermaline**

**Electrolux 800 thermaline h = 800 mm  
Gas top on electric oven**

- The appliances are IP X5 certified against water jets.
- Hygienic design of the open base compartment with large round edges.

- Packing free of toxic substances.
- Models with ECOFLAM (pot detection system) assure energy saving by reducing unnecessary heat radiation in the kitchen.

**EASY ON THE ENVIRONMENT**

- All appliances are EC-prototype tested by DVGW. The combustion produces the lowest allowable concentration of flue gases.
- Special insulation and heat reflector beneath the cooking surface reduces heat transfer to the interior of the range to a minimum.
- 98% recyclable by weight.

| <b>TECHNICAL DATA</b>                    | <b>CK248209<br/>580408</b>                   | <b>CK248211<br/>580434</b>                   | <b>CK248209E<br/>599392</b>                  | <b>CK248211E<br/>599395</b>                  |
|--|--|--|--|--|
| Power supply                             | Gas/Electric                                 | Gas/Electric                                 |  | Gas/Electric                                 |
| Ecoflam                                  |  |  | ●  | ●  |
| Installation                             | FS on concrete base, FS on feet, FS on floor | FS on concrete base, FS on feet, FS on floor | FS on concrete base, FS on feet, FS on floor | FS on concrete base, FS on feet, FS on floor |
| One-Side Operated                        | ●  |  | ●  |  |
| Both-Sides Operated                      |  | ●  |  | ●  |
| External dimensions - mm                 |  |  |  |  |
| width                                    | 800  | 800  | 800  | 800  |
| depth                                    | 800  | 800  | 800  | 800  |
| height                                   | 800  | 800  | 800  | 800  |
| Oven cavity - mm                         |  |  |  |  |
| width                                    | 550  | 550  | 550  | 550  |
| depth                                    | 700  | 700  | 700  | 700  |
| height                                   | 270  | 270  | 270  | 270  |
| Oven                                     |  |  |  |  |
| heat input - kW                          | 5.5  | 5.5  | 5.5  | 5.5  |
| temperature min-max - °C                 | 60, 350                                      | 60, 350                                      | 60, 350                                      | 60, 350                                      |
| Control Knob                             | Electrical thermostat; Gas valve             | Electrical thermostat; Gas valve             | Electrical thermostat; Gas valve             | Electrical thermostat; Gas valve             |
| Back burner dimensions - mm              | 340x370, 340x370                             | 340x370, 340x370                             | 340x370                                      | 340x370, 340x370                             |
| Back burners power - kW                  | 5, 5   | 5, 5   | 5  | 5, 5   |
| Front burners dimension - mm             | 340x370, 340x370                             | 340x370, 340x370                             | 340x370                                      | 340x370, 340x370                             |
| Front burners power - kW                 | 3.6, 5                                       | 3.6, 5                                       | 3.6  | 3.6, 5                                       |
| Power - kW                               |  |  |  |  |
| gas                                      | 19   | 18.6   | 19   | 18.6   |
| Oven power - kW                          |  |  |  |  |
| electric                                 | 5.5  | 5.5  | 5.5  | 5.5  |
| Total Power - kW                         | 24.1   | 24.1   | 24.1   | 24.1   |
| Net weight - kg.                         | 140  | 140  | 140  | 140  |
| Supply voltage                           | 400 V, 3N, 50/60                             | 400 V, 3N, 50/60                             | 400 V, 3N, 50/60                             | 400 V, 3N, 50/60                             |
| <b>INCLUDED ACCESSORIES</b>              |  |  |  |  |
| BAKING SHEET 2/1GN FOR OVENS             | 1  | 1  | 1  | 1  |
| GRID, CHROMIUM PLATED, FOR OVENS 2/1 GN  | 1  | 1  | 1  | 1  |
| PAN REST CAST-IRON COMPACT-330X330 MM    | 4  | 4  | 4  | 4  |
| <b>ACCESSORIES</b>                       |  |  |  |  |
| BOTTOM PL+4 FEET 100MM-800&900MM-SPECIAL | 911927                                       | 911927                                       | 911927                                       | 911927                                       |
| BOTTOM STEEL PLATE 2/1 F.FIRE CLAY PLATE | 910655                                       | 910655                                       | 910655                                       | 910655                                       |
| C-BOARD WELDED 800 MM                    | 911741                                       |  | 911741                                       |  |
| FIRE CLAY PLATE 2/1GN FOR OVENS          | 910656                                       | 910656                                       | 910656                                       | 910656                                       |
| FLEXIBLE CONNECTION HOSE 3/4"            | 910720                                       | 910720                                       | 910720                                       | 910720                                       |
| FOLDING SHELF 300X800 MM                 | 910801                                       | 910801                                       | 910801                                       | 910801                                       |
| FOLDING SHELF 400X800 MM                 | 910802                                       | 910802                                       | 910802                                       | 910802                                       |
| PAN REST SS COMPACT-330X330 MM           | 910715                                       | 910715                                       | 910715                                       | 910715                                       |
| ROLLING RACKS 800                        | 910824                                       | 910824                                       | 910824                                       | 910824                                       |
| S/S PLINTH 800X800X100MM - AGAINST WALL  | 911344                                       |  | 911344                                       |  |
| S/S PLINTH 800X800X100MM - FREESTANDING  | 911359                                       | 911359                                       | 911359                                       | 911359                                       |
| SIMMERING PLATE COMPACT-330X330 MM       | 910717                                       | 910717                                       | 910717                                       | 910717                                       |
| SOLID TOP PLATE COMPACT-330X330 MM       | 910719                                       | 910719                                       | 910719                                       | 910719                                       |

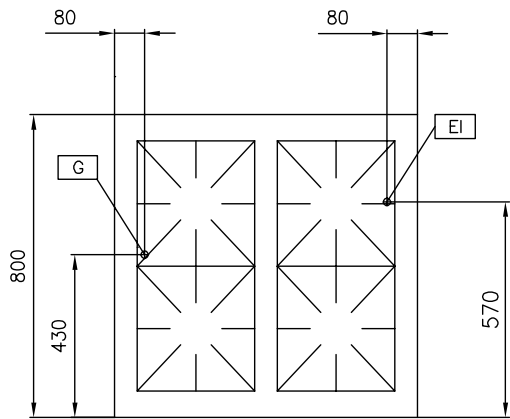
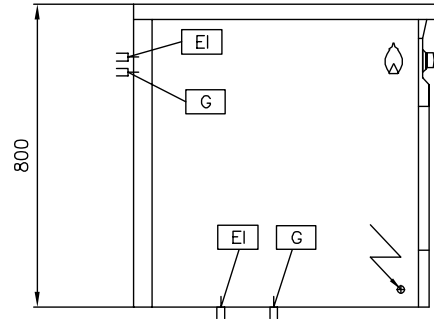
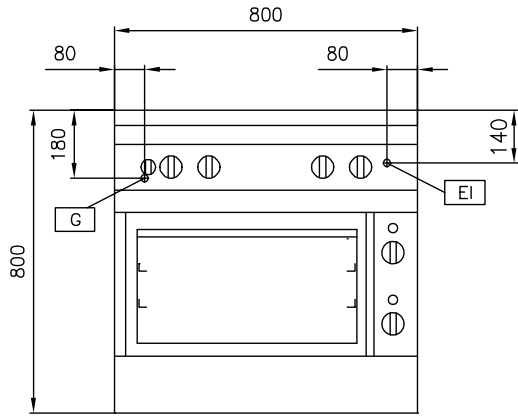
CDAB020

2010-05-28

Subject to change without notice

**Electrolux 800 thermaline h = 800 mm**  
**Gas top on electric oven**

580408, 599392



CHG 72.6859.008

CDA1020

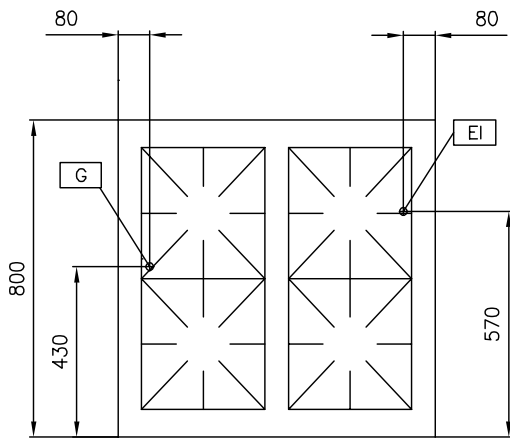
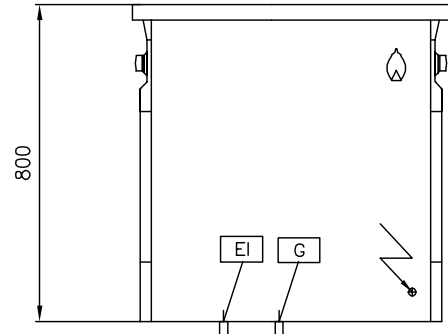
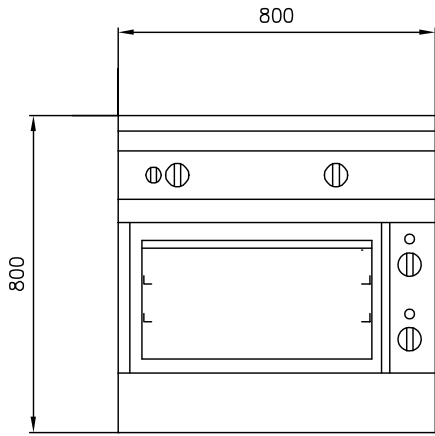
2010-05-28

Subject to change without notice

| <b>LEGEND</b>      | <b>CK248209</b><br><b>580408</b> | <b>CK248209E</b><br><b>599392</b> |
|--------------------|----------------------------------|-----------------------------------|
|                    | EI - Electrical connection       | 400 V, 3N, 50/60                  |
| G - Gas connection | 3/4"                             | 3/4"                              |

Electrolux 800 thermaline h = 800 mm  
Gas top on electric oven

580434, 599395



CHG 72.6859.011

CDA1020

2010-05-28

| LEGEND             | CK248211<br>580434         | CK248211E<br>599395 |
|--------------------|----------------------------|---------------------|
|                    | EI - Electrical connection | 400 V, 3N, 50/60    |
| G - Gas connection | 3/4"                       | 3/4"                |

Subject to change without notice