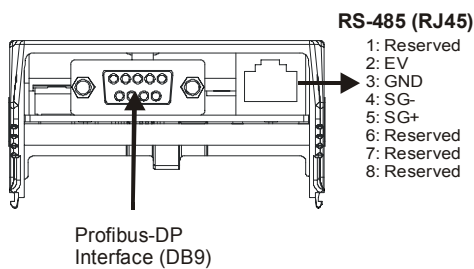
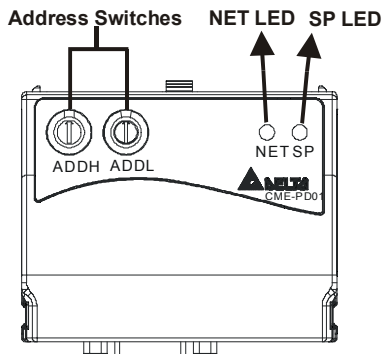


Profibus Communication Module (CME-PD01) Instruction Sheet

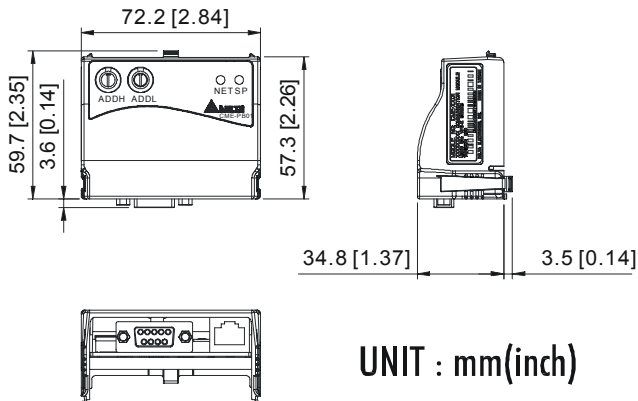
- ◆ Profibus is a registered trademark of Profibus International.
- ◆ Please thoroughly read and understand the following contents to ensure correct use before operation.
- ◆ The content of this instruction sheet may be revised without prior notice. Please consult our distributors or download the most updated version at <http://www.delta.com.tw/industrialautomation>

A. Panel Appearance



1. **SP LED:** Indicating the connection status between VFD-E and CME-PD01.
2. **NET LED:** Indicating the connection status between CME-PD01 and PROFIBUS-DP.
3. **Address Switches:** Setting the address of CME-PD01 on PROFIBUS-DP network.
4. **RS-485 Interface (RJ45):** Connecting to VFD-E, and supply power to CME-PD01.
5. **PROFIBUS-DP Interface (DB9):** 9-PIN connector that connects to PROFIBUS-DP network.
6. **Extended Socket:** 4-PIN socket that connects to PROFIBUS-DP network.

B. Dimensions



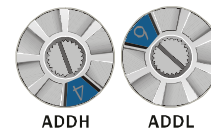
C. Parameters Setting in VFD-E

	VFD-E
Baud Rate 9600	Pr.09.01=1
RTU 8, N, 2	Pr.09.04=3
Freq. Source	Pr.02.00=3
Command Source	Pr.02.01=3

D. Power Supply

The power of CME-PD01 is supplied from VFD-E. Please connect VFD-E to CME-PD01 by using 8 pins RJ-45 cable, which is packed together with CME-PD01. After connection is completed, CME-PD01 is powered whenever power is applied to VFD-E.

E. PROFIBUS Address



CME-PD01 has two rotary s select the PROFIBUS address. The set value via 2 address switches, ADDH and ADDL, is in HEX format. ADDH sets the upper 4 bits, and ADDL sets the lower 4 bits of the PROFIBUS address.

Address	Meaning
1..0x7D	Valid PROFIBUS address
0 or 0x7E..0xFE	Invalid PROFIBUS address

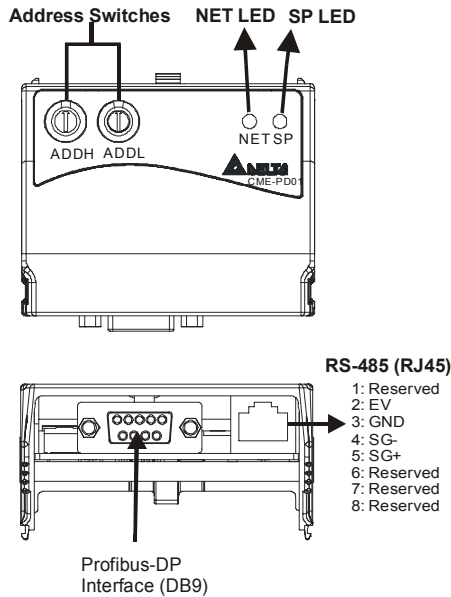
NOTE

Please download the GSD file and user manual at <http://www.delta.com.tw/industrialautomation/>

Profibus 通訊模組 (CME-PD01) 說明書

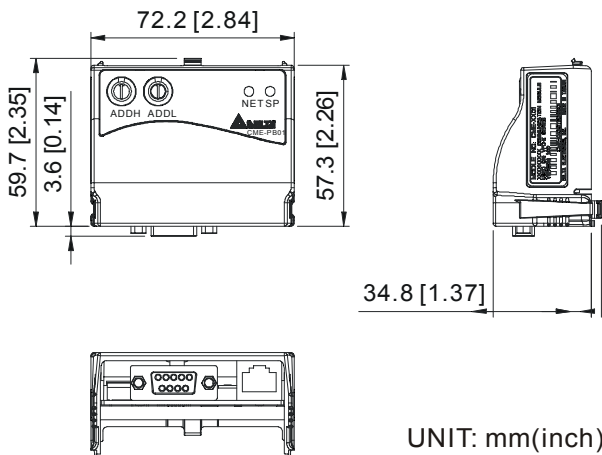
- ◆ Profibus 為 Profibus international 註冊商標。
- ◆ 請詳細閱讀下列說明後才使用本產品，以確保使用安全。
- ◆ 由於產品精益求精，當內容規格有所修正時，請洽詢代理商或至台達網站 (http://www.delta.com.tw/ch/product/em/em_main.asp) 下載最新版本。

A. 面板外觀



1. **SP LED**：變頻器與 CME-PD01 連接狀態指示
2. **NET LED**：CME-PD01 與 PROFIBUS-DP 連接狀態指示
3. **位址設定鈕**：設定 CME-PD01 在 PROFIBUS-DP 網路上的通信位址
4. **RS-485 通訊口 (RJ-45)**：與 VFD-E 系列變頻器連接並經由此 port 提供電源給 CME-PD01
5. **PROFIBUS-DP 介面 (DB9)**：用於連接 PROFIBUS-DP 網路
6. **並連插座**：使用 4-PIN socket 連接 PROFIBUS-DP 網路

B. 外觀尺寸



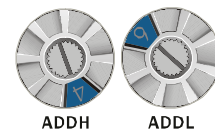
C. VFD-E 通訊參數的設定

	VFD-E
Baud Rate 9600	Pr.09.01=1
RTU 8, N, 2	Pr.09.04=3
Freq. Source	Pr.02.00=3
Command Source	Pr.02.01=3

D. 電源供應

CME-PD01 電源由所連接之變頻器所供給，使用標準通訊傳輸線(附於包裝盒內，連接 RJ-45，8pins) 連接變頻器和 CME-PD01，當變頻器上電後，電源即可輸入 CME-PD01。

E. 位址設定鈕



CME-PD01 提供兩個可旋轉之位址設定鈕來設定，其在 PROFIBUS-DP 網路上的通信位址。兩個旋鈕包括：ADDH 與 ADDL，ADDH 用來設定高 4 位元的通信位址，ADDL 用來設定低 4 位元的通信位址，並採用 16 進制。

通信位址	說明
1..0x7D	有效的 PROFIBUS 位址
0 或 0x7E..0xFE	無效的 PROFIBUS 位址

NOTE

請至台達網站下載 GSD 檔案及其使用手冊
http://www.delta.com.tw/ch/product/em/em_main.asp