

DTE-20T DTE Accessory

Instruction Sheet


Thank you very much for choosing DTE-20T. Please read this instruction sheet before using your DTE-20T to ensure proper operation. Keep this instruction sheet handy for quick reference.

■ Warning

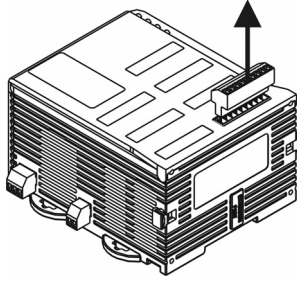
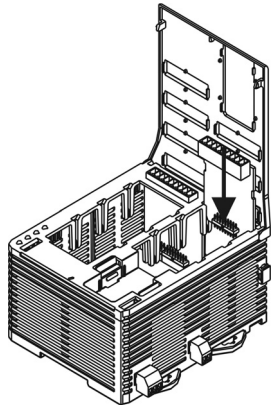
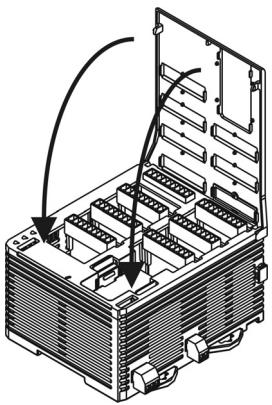
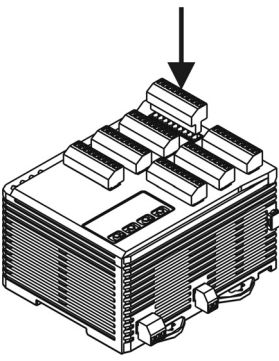
1. Please hold the plastic terminal when installing DTE-20T to prevent electrostatic discharge (ESD).
2. Prevent dust or metallic debris from falling into the device and cause malfunction. **DO NOT** modify or uninstall DTE-20T without being permitted. **DO NOT** use empty terminals.
3. When installing DTE-20T, please make sure the power of DTE main unit is switched off and insert DTE-20T into the correct slot on DTE main unit.
4. Make sure you install DTE-20T correctly before switching on the power; otherwise serious damage may occur.
5. **DO NOT** touch the terminals or repair the device when the power is on; otherwise an electric shock may occur.

■ Functions & Electrical Specifications

Power consumption	Max. 0.5W
Input sensor	4 channels of thermocouple: K, J, T, E, N, R, S, B, L, U, TXK
Sampling cycle	Thermocouple: 1.0 second (4 channels)
Terminal connection	Can only be inserted into INB slot on DTE10T main unit

 The sensor slot (INA/INB) only accepts the same input type. For example, if you select DTE-20T as accessory, you can only use it on DTE-10T main unit.

■ How to Install

<p>① Remove all the terminal blocks on the panel.</p> 	<p>② Uncover the panel. Make sure which slot is the correct one and insert DTE-20T into the slot.</p> 	<p>③ Cover up the panel.</p> 	<p>④ Insert the terminal blocks back.</p> 
---	---	---	---