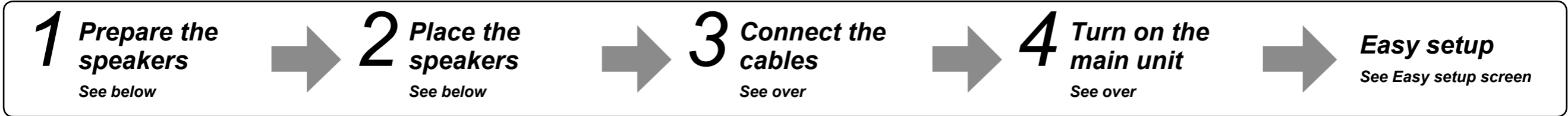


# Easy Setting Guide

The order of setting

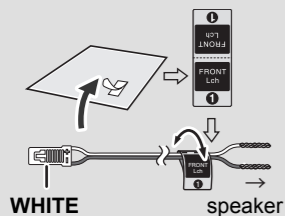


## 1 Prepare the speakers

### STEP 1

Label each speaker cable by attaching the numbered sticker at the position indicated in the illustration. Be sure to match the number on each sticker with the circled number in the illustration.

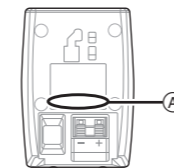
e.g., Front speaker Lch



Refer to the rear label of the speaker before connecting the corresponding cable. Verify the type of speaker with the label on the rear of the speaker.

Speakers	(A)
Front speakers	FRONT/AVANT
Centre speaker	CENTER/CENTRE
Surround speakers	SURROUND/AMBIOPHONIE

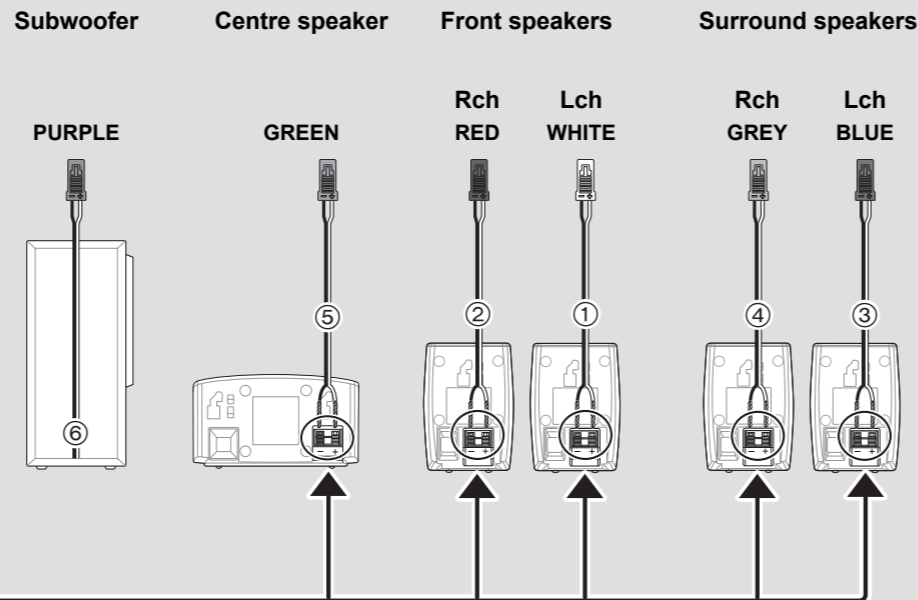
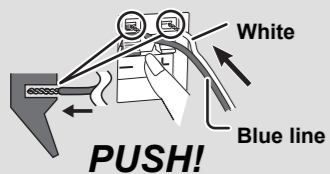
e.g.,



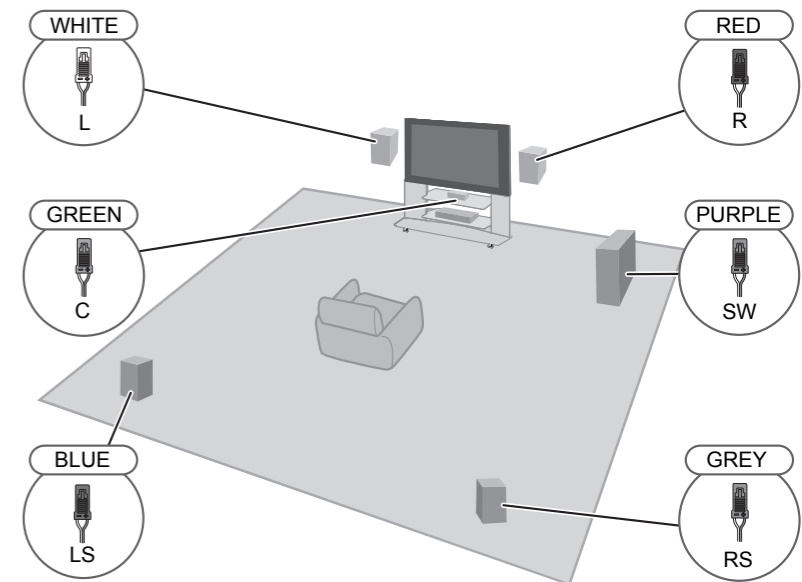
### STEP 2

Connect the speaker cables. Insert the wire fully, taking care not to insert beyond the wire insulation.

- + : White
- : Blue line

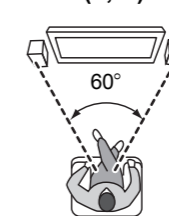


## 2 Place the speakers

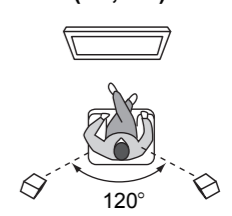


### Recommended

Front speakers (L, R)



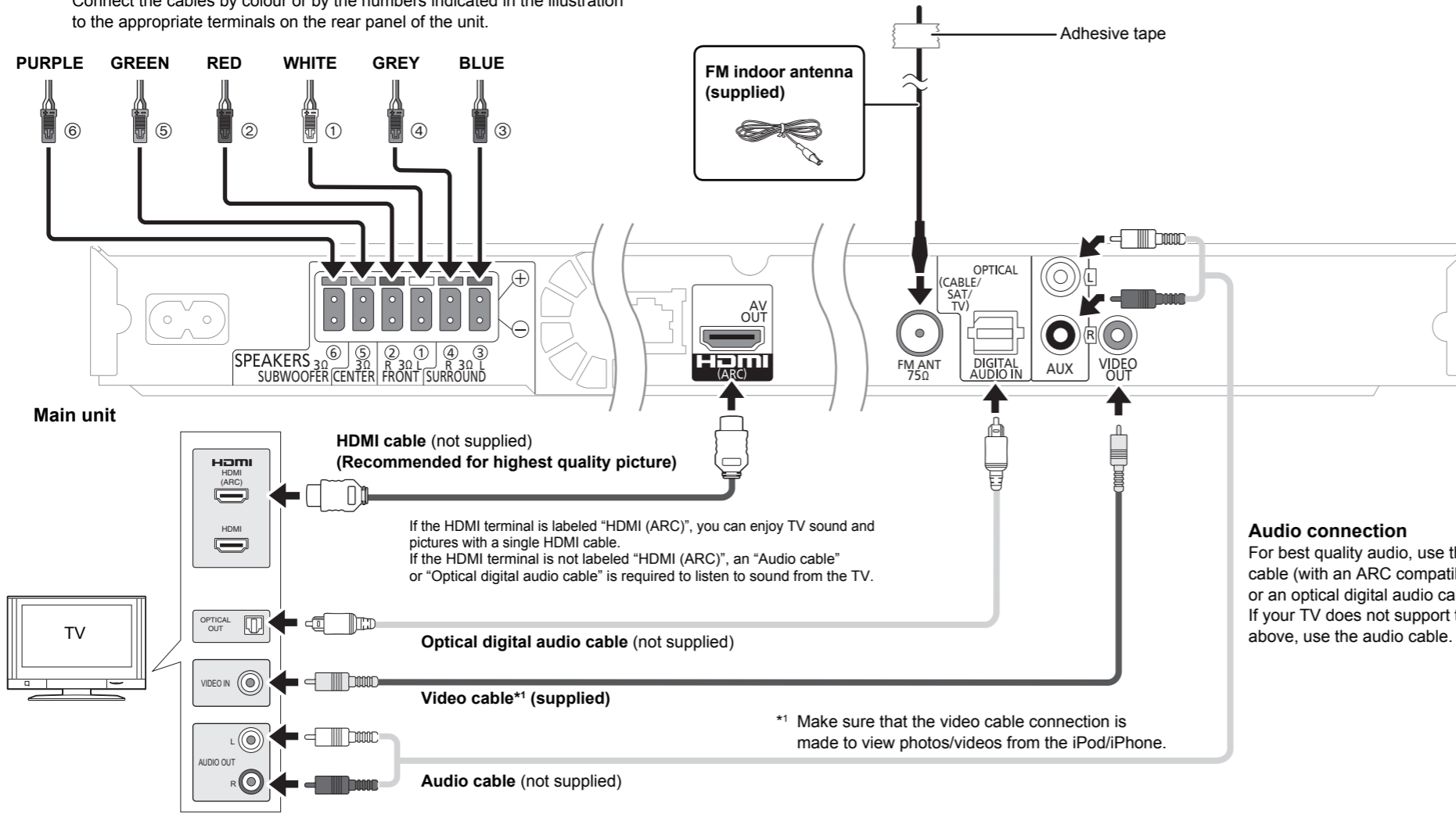
Surround speakers (LS, RS)



# 3 Connect the cables

It is possible to play back 3D videos and 3D still pictures by connecting this unit with a 3D compatible TV.  
For detailed information, refer to the operating instructions.

Connect the cables by colour or by the numbers indicated in the illustration to the appropriate terminals on the rear panel of the unit.



## Other connection

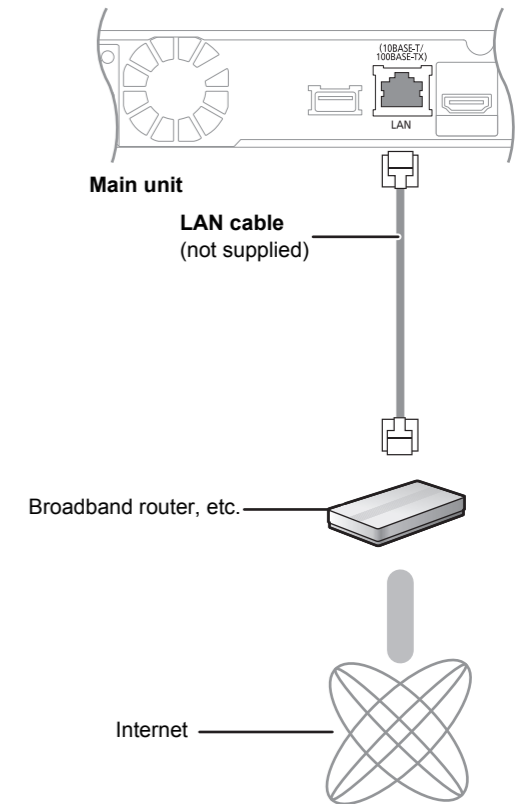
### Broadband Network Connections

By connecting this unit to the network, you can optimise the internet features of this unit.

- Use category 5 or above straight LAN cables (STP) when connecting to peripheral devices.
- When using the wireless LAN function\*2, the LAN cable that connected to the main unit is not necessary.

\*2 South East Asia (For Malaysia, Thailand, Singapore and Hong Kong) only

e.g., For South East Asia

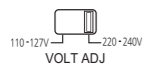


# 4 Turn on the main unit

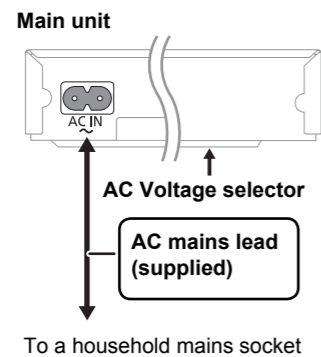
## 1 Connect the AC mains lead

Connect the AC mains lead to the main unit before connecting to the household mains socket.

**Before connecting the AC mains lead;**  
**Set the voltage at the bottom of the main unit.**

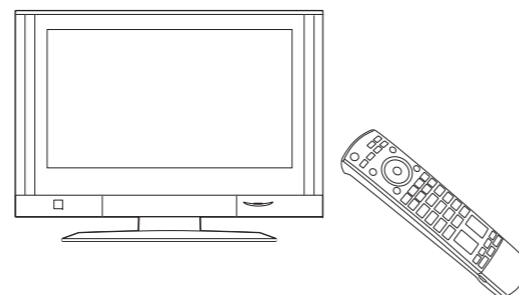


Use a flat-head screwdriver to move the voltage selector to the appropriate position for the area in which this system is used.



## 2 Turn on the TV

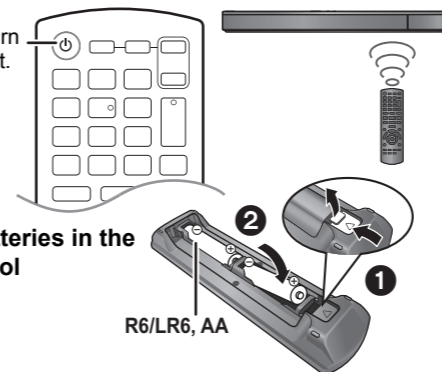
Turn on your TV and select the appropriate video input mode (e.g., VIDEO 1, AV 1, HDMI, etc.) to suit the connections to this unit.



## 3 Turn on the main unit

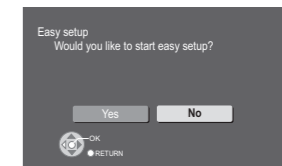
Press [ ] to turn on the main unit.

**Installing batteries in the remote control**



## 4 The Easy setup starts

The on screen display will guide you through the steps.



Press [◀, ▶] to select [Yes] and press [OK].