

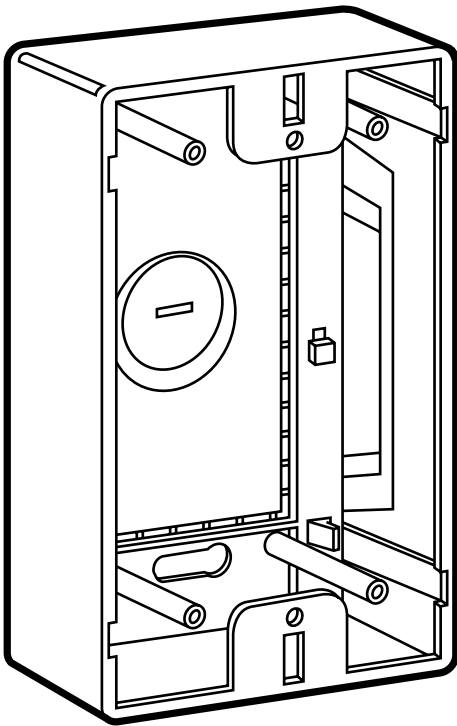
BLACK BOX[®]

NETWORK SERVICES

© 2005. All rights reserved.
Black Box Corporation.

Black Box Corporation • 1000 Park Drive • Lawrence, PA 15055-1018 • Tech Support: 724-746-5500 • www.blackbox.com • e-mail: info@blackbox.com

SURFACE-MOUNT BOXES



*Mount your Couplers and Faceplates
on the wall or floor.*

Key Features

- ▶ **Compatible with our Faceplates.**
- ▶ **Available in three colors.**

With the Surface Mount Boxes, you can mount Faceplates to the wall or to the floor. They are perfect for instances where the work area outlet cannot be recessed into a wall or floor box. They are available in single-gang and double-gang models.

Ordering Information

ITEM	CODE
Surface-Mount Boxes	
Single-Gang	
White	WP170WH
Gray	WP170GR
Ivory	WP170IV
Double-Gang	
White	WP171WH
Ivory	WP171IV