

The RDM-MDM Multimode Dimmer Module is ideally used in situations where the load is not specified or the load may change at the last moment. This unit is a unique combination 2400 W Incandescent dimmer, 2400 W Switch, or 2400 W FDB fluorescent dimmer. It consists of a heavy duty SSR construction for dimming and a heavy duty positive air gap relay for switching. The RDM-MDM module's 120 and 240-277 VAC ratings are CE, UL, and C-UL approved.

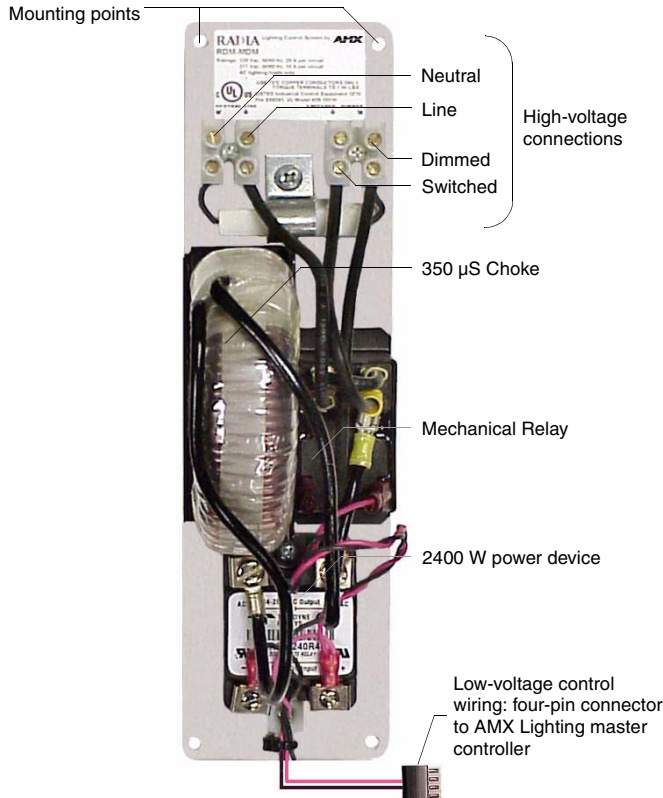


FIG. 1 RDM-MDM

RDM-MDM UL and C-UL Ratings:

- 120 VAC, 50/60 Hz, 2400 W per circuit
- 240/277 VAC, 50/60 Hz, 2400 W per circuit

Specifications:

- Dimensions (HW): 10.00" x 2.75" (25.40 cm x 6.99 cm)
- Phase dependant dimming
- Use wires rated at 75°C (167°F)
- Torque terminals to 7 in-lbs (0.8 N/M)
- Max. wire size: 10 AWG (4 mm²)
- Wire stripping length: 0.28" (7 mm)
- Weight: 4.5 lbs (2.04 kg)
- BTU/hr: 300
- Control current: 190 mA @ 12 VDC

Suggested Loads:

- Incandescent
- Low-voltage
- Neon, cold-cathode
- Two-wire, phase-controlled ballast
- Three-wire, phase-controlled ballast
- Switched fluorescent ballast

Caution Pre-Installation Notes:

- All Class 1 wiring must be connected to proper terminals.
- All control wiring must be connected to proper terminals.
- Disconnect power while installing or connecting the unit.
- Keep top and bottom air vents clear at all times.
- Test loads for shorts before connecting.
- Use low-voltage wires with a 300 volt rating or greater.
- Use field-installed copper conductors.
- Run all low-voltage and control wires away from heat producing parts of the dimmer.
- Each dimming circuit must have a separate neutral connection.
- All electrical ratings are for continuous duty.
- For indoor use only.
- AC lighting loads only.
- This module may require extra power from the AXlink connection or an external power supply connected to the control card.

Connecting RDM Series Modules to the RDM-MDM:

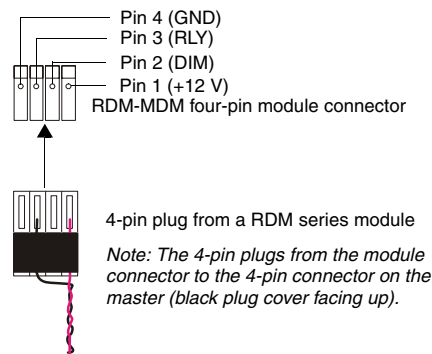


FIG. 2 Connecting RDM series modules to the RDM-MDM

Lighting Application Drawings

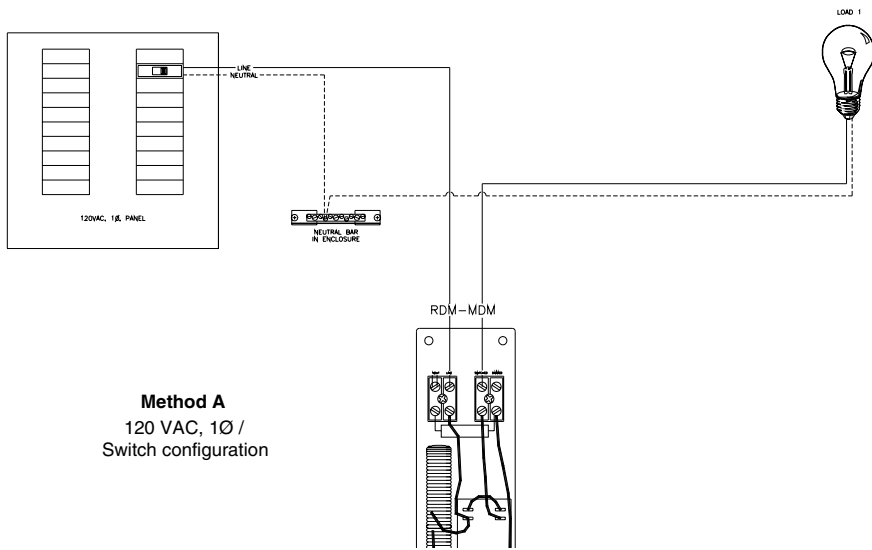


FIG. 3 Method A

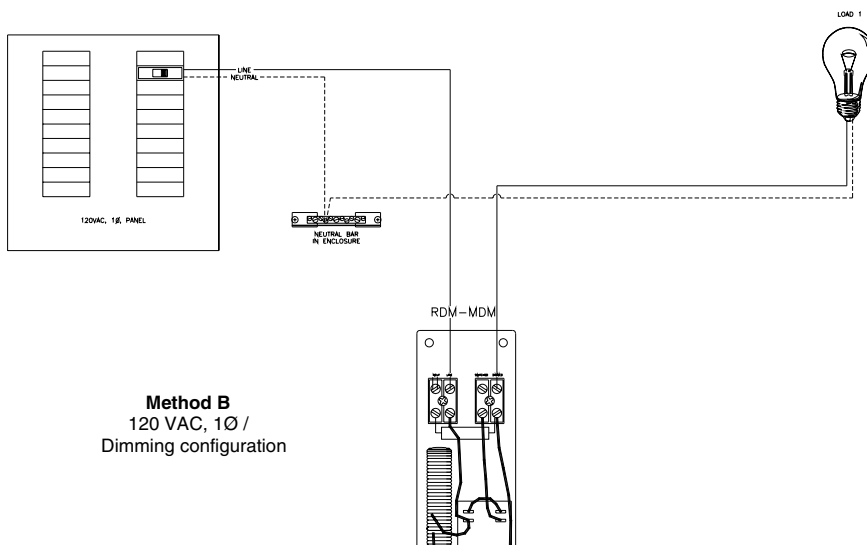


FIG. 4 Method B

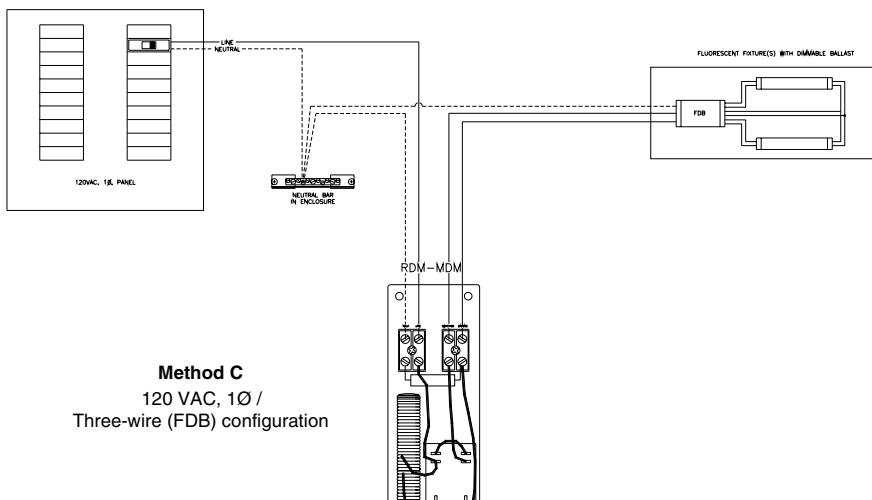


FIG. 5 Method C

AMX Corporation reserves the right to alter specifications without notice at any time.
For full warranty information, refer to the AMX Instruction Manual(s) associated with your Product(s).
043-019-2299 10/01 ©2001 AMX Corporation. All rights reserved.

The AMX logo is a trademark of AMX Corporation. AMX Corporation reserves the right to alter specifications without notice at any time.
3000 research drive, richardson, TX 75082 USA • 469.624.8000 • 800.222.0193 • fax 469.624.7153 • technical support 800.932.6993

