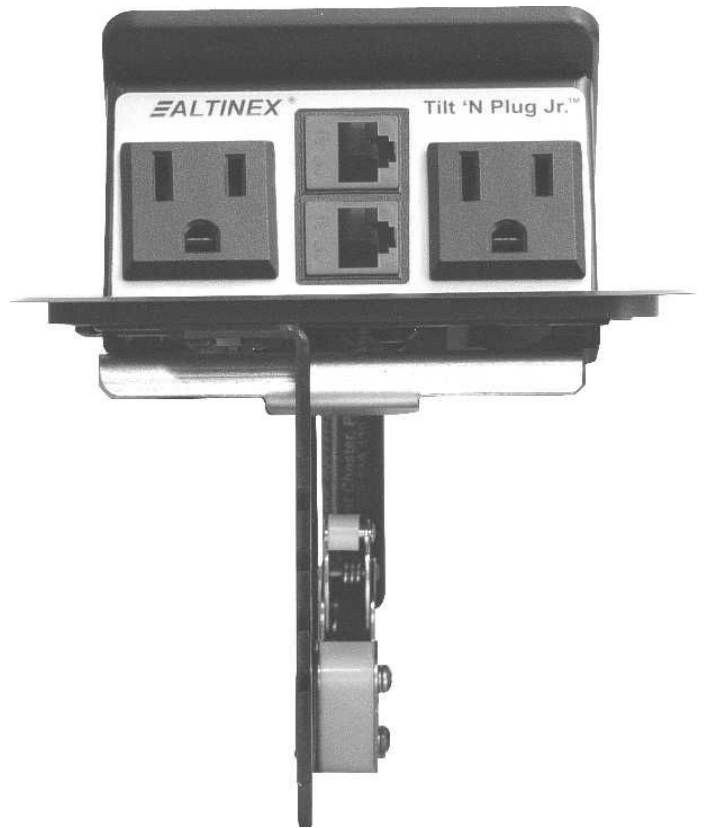




TNP121 Front View



TNP151 Front View

MANUAL PART NUMBER: 400-0434-005

**TNP121 / 121C  
TNP122 / 131 / 142  
TNP151 / 151C**

**TILT 'N PLUG<sup>®</sup> JR.  
INTERCONNECT BOXES  
USER'S GUIDE**

## INTRODUCTION

We greatly appreciate your purchase of the **Tilt 'N Plug Jr.** (TNP JR.) Interconnect Box. We are sure you will find it reliable and simple to use.

Superior performance for the right price, backed by solid technical and customer support is what ALTINEX has to offer.

The product you are holding is designed using state-of-the-art technology and is superior to anything available on the market. You will find this and our other products reliable, long-lasting, and simple to operate.

We are committed to providing our customers with Signal Management Solutions® to the most demanding audiovisual installations at very competitive pricing.

We appreciate your selection of our products and are confident that you will join the ranks of our many satisfied customers throughout the world.

## TABLE OF CONTENTS

	Page
PRECAUTIONS / SAFETY WARNINGS.....	2
GENERAL .....	2
INSTALLATION PRECAUTIONS.....	2
CLEANING .....	2
FCC NOTICE.....	2
ABOUT YOUR TILT 'N PLUG JR.....	3
TECHNICAL SPECIFICATIONS .....	3
TILT 'N PLUG JR. DIMENSIONS.....	5
DIAGRAM 1: ROUND BEZEL DIMENSIONS.....	5
DIAGRAM 2: SINGLE UNIT DIMENSIONS.....	6
DIAGRAM 3: DUAL UNIT DIMENSIONS .....	6
DESCRIPTION DIAGRAM.....	7
DIAGRAM 4: STANDARD FACEPLATES .....	7
MOUNTING DIAGRAM.....	8
DIAGRAM 5: MOUNTING A TNP JR. ....	8
INSTALLATION PROCEDURES.....	9
TROUBLESHOOTING GUIDE .....	9
ALTINEX POLICIES .....	10
LIMITED WARRANTY/RETURN POLICIES ....	10
CONTACT INFORMATION.....	10

## PRECAUTIONS / SAFETY WARNINGS 1

Please read this manual carefully before using your **Tilt 'N Plug Jr.** Interconnect Box. Keep this manual handy for future reference. These safety instructions are to ensure the long life of your **Tilt 'N Plug Jr.** and to prevent fire and shock hazards. Please read them carefully and heed all warnings.

### 1.1 GENERAL

- Unauthorized personnel shall not open the unit as there are high-voltage components inside.
- Qualified ALTINEX service personnel or their authorized representatives must perform all service.

### 1.2 INSTALLATION PRECAUTIONS

- For best results, place the **Tilt 'N Plug Jr.** in a dry area away from dust.
- To prevent fire or shock, do not expose this unit to water or moisture. Do not place the unit in direct sunlight, near heaters or heat-radiating appliances, or near any liquid. Exposure to direct sunlight, smoke, or steam can harm internal components.
- Handle the **Tilt 'N Plug Jr.** carefully. Dropping or jarring can damage the bezel.
- Never place fingers inside the opening on either side of the unit. This action could cause injury due to sharp edges inside.
- Do not place heavy objects on top of the **Tilt 'N Plug Jr.** Do not use excessive force to push down on the top of the unit.
- Disconnect the power cord to turn off the power. This supplies power to the socket on the pop-up panel. The power outlet should be installed near the equipment and be easily accessible.
- We recommend using wall outlets with a Ground Fault Circuit Interrupter (GFCI) for maximum protection.
- Install all cables according to the instructions found herein. Do not force or pull any cable that is attached to the **Tilt 'N Plug Jr.**

### 1.3 CLEANING

- Surfaces should be cleaned with a dry cloth. Never use strong detergents or solvents such as alcohol or thinner. Do not use a wet cloth or water to clean the unit.

### 1.4 FCC NOTICE

- This device complies with Part 15 of the FCC Rules. Operation is subject to the following two conditions: (1) This device may not cause harmful interference, and (2) this device must accept any interference received, including interference that may cause undesired operation.
- This equipment has been tested and found to comply with the limits for a Class A digital device, pursuant to Part 15 of the FCC Rules. These limits are designed to provide reasonable protection against harmful interference when the equipment is operated in a commercial environment. This equipment generates, uses, and can radiate radio frequency energy and, if not installed and used in accordance with the instructions found herein, may cause harmful interference to radio communications. Operation of this equipment in a residential area is likely to cause harmful interference in which case the user will be required to correct the interference at his expense.
- Any changes or modifications to the unit not expressly approved by ALTINEX, Inc. could void the user's authority to operate the equipment.

## ABOUT YOUR Tilt 'N Plug Jr. 2

### TILT 'N PLUG JR.

#### Designer Interconnect Solutions

All **Tilt 'N Plug Jr.**'s belong to a family of compact interconnection solutions designed for installation into a table as part of a presentation system. They are designed for mounting into a table, podium, or other furniture to provide a way of connecting audiovisual equipment on top of the furniture to a presentation system below the furniture.

All use the same core element; a multimedia input plate that can be "tilted" open when needed and pushed closed when not needed.

The **TNP122** and **TNP142** each incorporate two **Tilt 'N Plug Jr.** modules and are operated independently. The **TNP142** is the same as a **TNP122**, but with the modules factory-installed facing in opposite directions. The **TNP131** is the same as a **TNP121**, but with a round bezel instead of a square bezel.

All signals pass through the input plate directly to cables on the underside of the table with no intervening circuitry. The use of additional ALTINEX Signal Management Solutions® such as computer video interfaces, distribution amplifiers, and switchers may be desirable.

The input plate of the **Tilt 'N Plug Jr.** is accessible by pushing down on the top cover. The unit then auto-tilts open with help from an internal pneumatic spring. Once open, the input plate remains securely in place. The input plate is hidden by pressing down on the top cover until the latching mechanism engages. In its closed position, the top panel lies flush with the tabletop, held in place by the latching mechanism.

All **Tilt 'N Plug Jr.** Signal Management Solutions come with a standard top and bezel offering a high quality matte black finish. Other finishes or special bezel configurations are available upon request. Please contact an ALTINEX representative to discuss custom options.

## TECHNICAL SPECIFICATIONS 3

Specifications are subject to change. See [www.altinex.com](http://www.altinex.com) for up-to-date information.

FEATURES/DESCRIPTION	TNP121/121C/131
<b>PASS-THROUGH</b>	
<b>AC Power</b>	10 ft (3 m)
110 VAC, 60 Hz, 5 A	NEMA F-M
<b>Audio, Video, and Communication *</b>	6 ft (2 m)
Computer Video	15-pin HD F-M (1)
Stereo Audio	3.5 mm F-M (1)
Network	RJ-45 F-M (1)
Modem	RJ-11 F-M (1)
<b>Accessories Included</b>	
Hardware	- Mounting screws and brackets - Cable clamps/screws

Table 1. TNP121/121C/131 General

FEATURES/DESCRIPTION	TNP122/142
<b>PASS-THROUGH</b>	
<b>AC Power</b>	10 ft (3 m)
110 VAC, 60 Hz, 5 A	NEMA F-M (2 female to 1 male)
<b>Audio, Video, and Communication *</b>	6 ft (2 m)
Computer Video	15-pin HD F-M (2)
Computer Audio	3.5mm F-M (2)
Network	CAT-6 (RJ-45) F-M (2)
Modem	RJ-11 F-M (2)
<b>Accessories Included</b>	
Hardware	- Mounting screws and brackets - Cable clamps/screws

Table 2. TNP122/142 General

\* Customizable on the TNP121C

# TABLETOP SOLUTIONS

FEATURES/ DESCRIPTION	TNP151/151C
<b>PASS-THROUGH</b>	
<b>AC Power</b>	10 ft (3 m)
110 VAC, 60 Hz, 5 A	NEMA F-M (2 female to 1 male)
<b>Audio, Video, and Communication *</b>	6 ft (2 m)
Network	CAT-6 (RJ-45) F-M (2)
<b>Accessories Included</b>	
Hardware	- Mounting screws and brackets - Cable clamps/screws

Table 3. TNP151/151C General

MECHANICAL	TNP121/121C/ 131/151/151C
Max. Table Thickness	2.3 in (58 mm)
Height, opened	5.5 in (140 mm)
Width ..... (TNP121/151)	4.6 in (117 mm)
Diameter ... (TNP131)	5.8 in (147 mm)
Depth ..... (TNP121/151)	4.9 in (124 mm)
Weight (approx.)	2.8 lb (1.3 kg)
Shipping Weight	4.5 lb (2.0 kg)
Finish	Matte Black
T° Operating (T° Max)	10°C-35°C (40°C)
Humidity	90% non-condensing

Table 4. TNP121/121C/131/151/151C Mechanical

MECHANICAL	TNP122/142
Max. Table Thickness	2.3 in (58 mm)
Height, opened	5.5 in (140 mm)
Width	8.7 in (221 mm)
Depth	4.9 in (124 mm)
Finish	Matte Black
Weight (approx.)	3.7 lb (1.7 kg)
Shipping Weight	5.4 lb (2.5 kg)
T° Operating	10°C-35°C
T° Maximum	40°C
Humidity	90% non-condensing

Table 5. TNP122/142 Mechanical

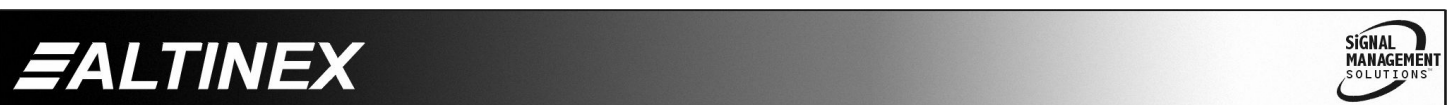
ELECTRICAL (Single outlet panel)	TNP121/121C/ 122/131/142
Power Rating <i>(pass-through AC power)</i>	110VAC, 60Hz, 5A per connector

Table 6. TNP121/121C/122/131/142 Electrical

ELECTRICAL (Dual outlet panel)	TNP151 and TNP151C
Power Rating <i>(pass-through AC power)</i>	110VAC, 60Hz, 2.5A per connector

Table 7. TNP151/151C Electrical

\* Customizable on the TNP151C

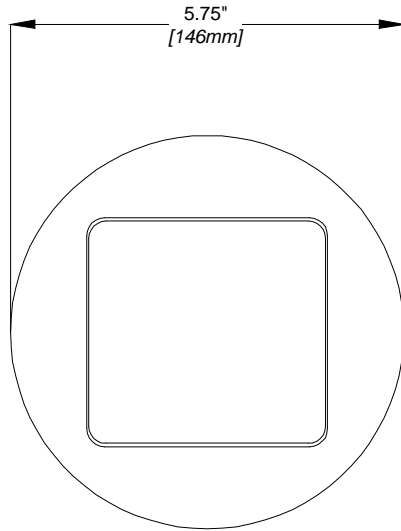


## Tilt 'N Plug Jr. DIMENSIONS

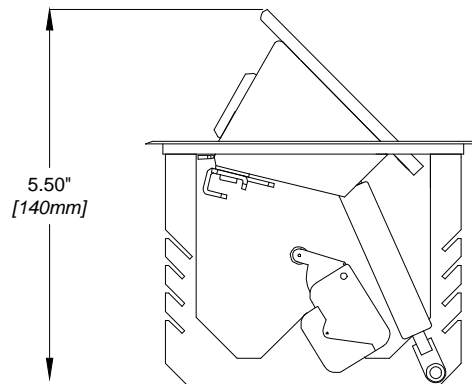
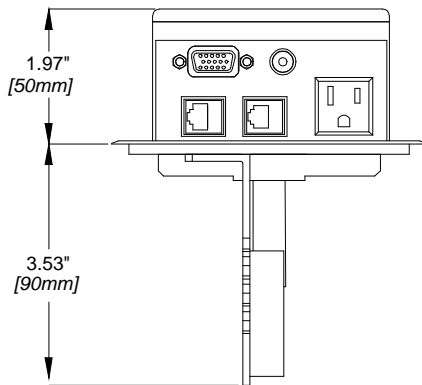
4

NOTE: Detailed dimensions, tabletop cutout templates, and drawings are available on the ALTINEX website at [www.altinex.com](http://www.altinex.com)

### DIAGRAM 1: ROUND BEZEL DIMENSIONS

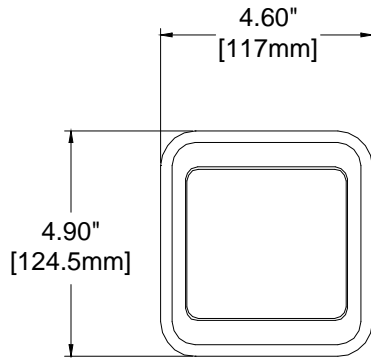


**TNP131  
Dimensions**

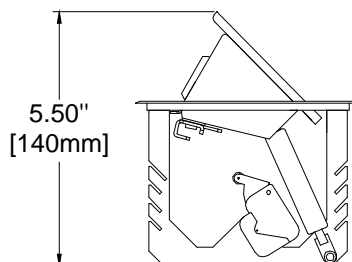
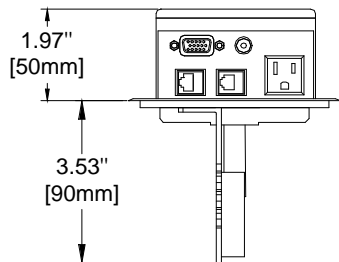


# TABLETOP SOLUTIONS

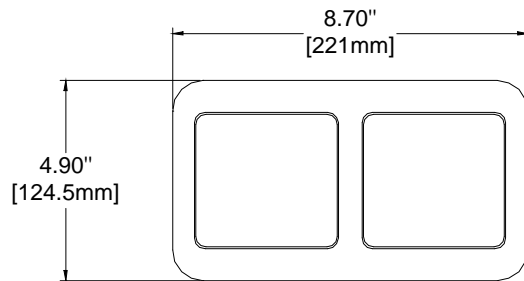
## DIAGRAM 2: SINGLE UNIT DIMENSIONS



**TNP121, TNP121C,  
TNP151, TNP151C  
Dimensions**



## DIAGRAM 3: DUAL UNIT DIMENSIONS



**TNP122, TNP142  
Dimensions**

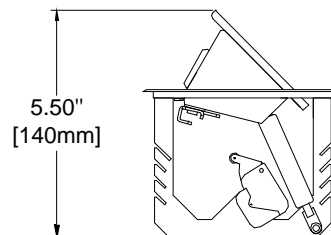
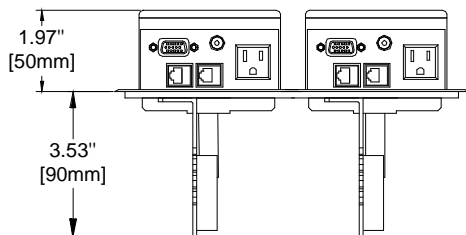
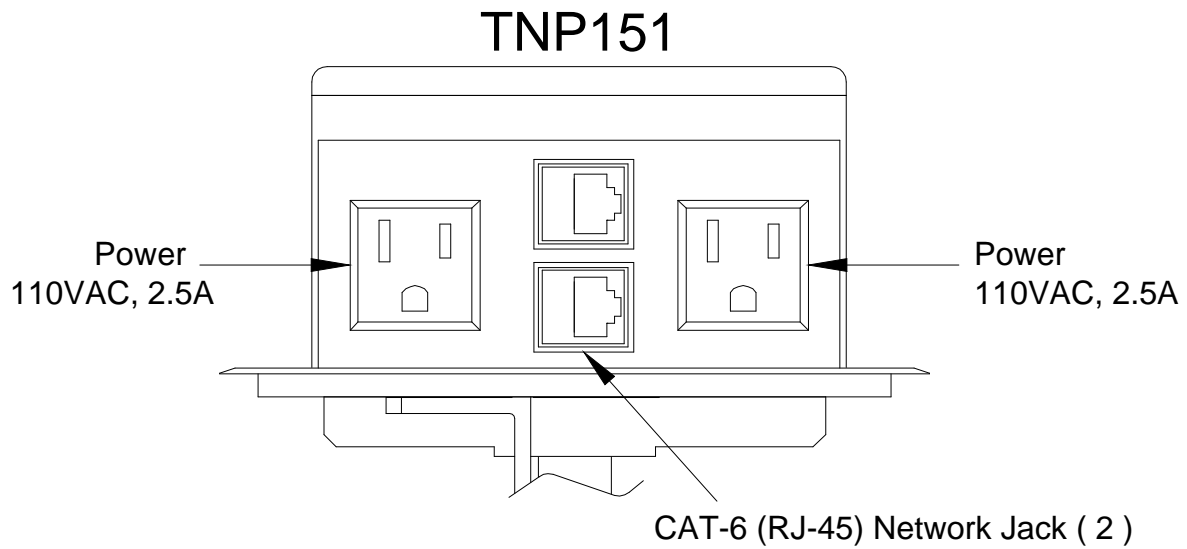
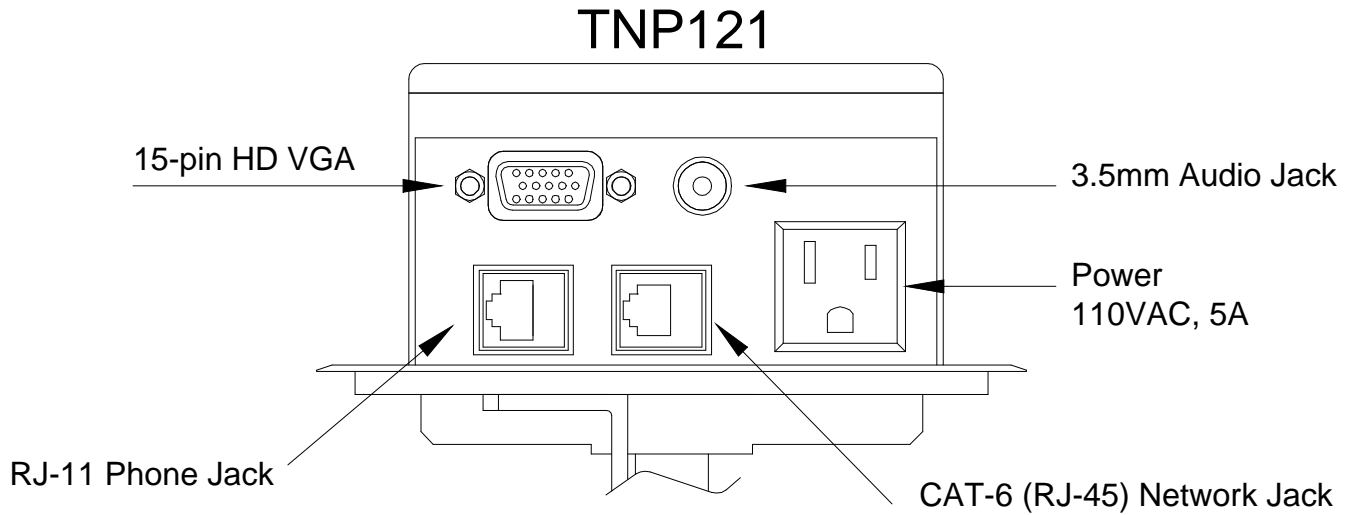


DIAGRAM 4: STANDARD FACEPLATES

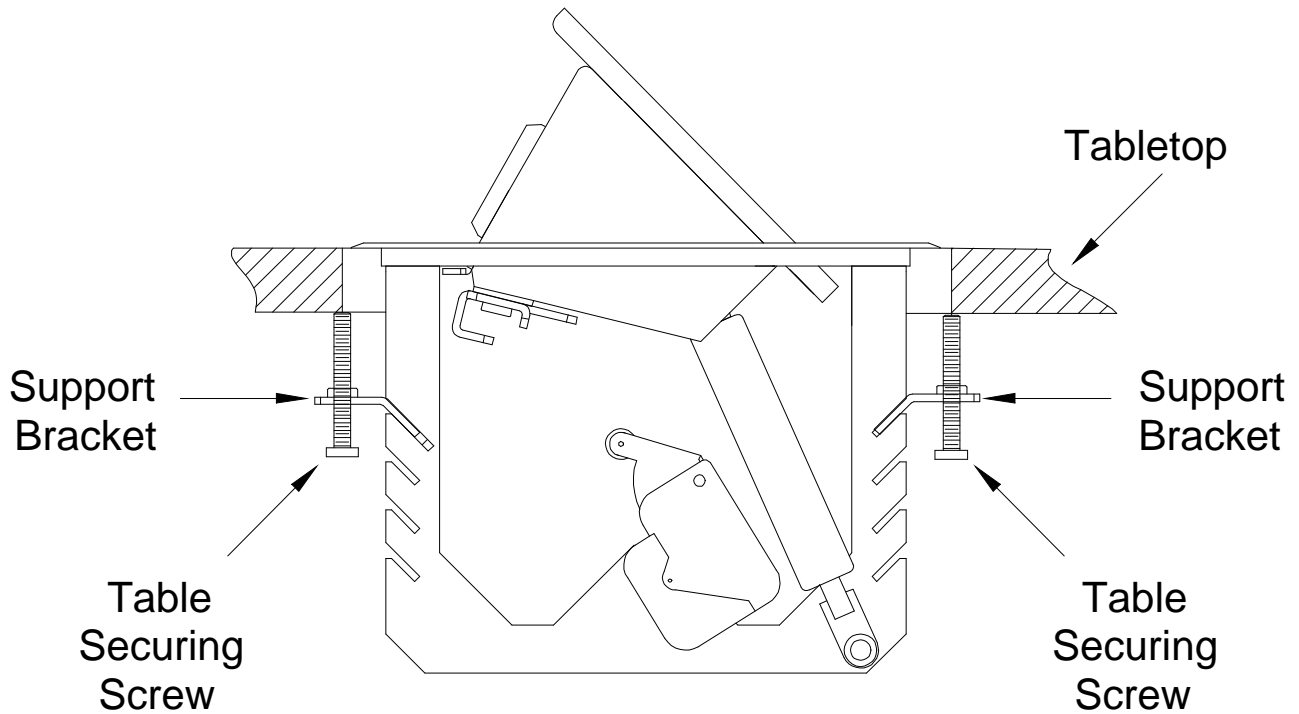




## MOUNTING DIAGRAM

6

### DIAGRAM 5: MOUNTING A TNP JR.



## INSTALLATION PROCEDURES 7

**Step 1.** Cut an opening into the table's surface. Refer to the ALTINEX website at [www.altinex.com](http://www.altinex.com) for table cutout requirements.

Note: The table can be 2.25" or less in thickness. Always confirm dimensions before cutting to insure that specifications have not changed.

**Step 2.** Insert the **Tilt 'N Plug Jr.** into the table cutout.

**Step 3.** Place the support brackets under the table in between the support mount grooves on the side of the **Tilt 'N Plug Jr.** (See Diagram 5 for details.) Attach the brackets to the groove at the desired height and secure them to the bottom of the table using the thumb screws provided.

**Step 4.** Secure the cables by using the provided cable clamps and screws included with the unit. Pass the power cord from the bottom of the housing and attach it to the table using the cable clamp and screw supplied with the **Tilt 'N Plug Jr.**

Leave enough slack in the service loop to allow for easy opening and closing, but not too much as to cause excess drooping of the service loop.

**Step 5.** Connect the appropriate cables with the correct input connectors on the bottom of the unit.

**Step 6.** Once you have applied power and connected the proper cables on the bottom of the unit you may raise the unit. To raise the **Tilt 'N Plug Jr.** into position, push down on the front of the top cover; the latching mechanism will then release, allowing the pneumatic spring to raise it into position.

**Step 7.** To lower the unit, push on the top of the **Tilt 'N Plug Jr.** until it locks into place.

## TROUBLESHOOTING GUIDE 8

The **Tilt 'N Plug Jr.** supplied was carefully tested and no problems were detected. However, we would like to offer the following suggestions:

- Please make sure that the highest quality network cables are used.
- Make sure that no cable or power cord is damaged or pinched. If there has been damage, do not use the **Tilt 'N Plug Jr.** Please call the ALTINEX Customer Service Department at (714) 990-2300 to have the unit repaired.
- If the unit does not rise into position correctly, check the service loops for the signal and power cords on the bottom of the unit.

## ALTINEX POLICIES

9

### 9.1 LIMITED WARRANTY/RETURN POLICIES

Please see the ALTINEX website at [www.altinex.com](http://www.altinex.com) for details on warranty and return policies.

### 9.2 CONTACT INFORMATION

**ALTINEX, Inc.**

592 Apollo Street

Brea, CA 92821 USA

**TEL:** 714 990-2300

**TOLL FREE:** 1-800-ALTINEX

**WEB:** [www.altinex.com](http://www.altinex.com)

**E-MAIL:** [solutions@altinex.com](mailto:solutions@altinex.com)