



ACT-IR100M+/100M/100MP IrDA IR Printer Adapter

User's Manual



ACTiSYS Corp.
48511 Warm Springs Blvd, Suite 206
Fremont, CA 94539, USA
TEL: (510) 490-8024, FAX: (510) 623-7268
E-Mail: irda-support@actisys.com
Web: www.actisys.com



FCC & VCCI Compliance Statement

This device complies with part 15 of the FCC Rules. Operation is subject to the following two conditions:

(1) This device may not cause harmful interference and (2) this device must accept any interference received, including interference that may cause undesired operation.

WARNING-FCC Regulations state that any unauthorized changes or modifications to this equipment not expressly approved by the manufacturer could void the user authority to operate this equipment

NOTE: This equipment has been tested and found to comply with the limits for Class B digital device, pursuant to Part 15 of the FCC Rules. This equipment generates, uses, and can radiate radio frequency energy and, if not installed and used in accordance with the instructions, may cause harmful interference to radio communications. However, there is no guarantee that interference will not occur in a particular installation. If this equipment does cause harmful interference to radio or television reception, which can be determined by turning the equipment off and on, the user is encouraged to try to correct the interference by one or more of the following measures:

- Increase the separation between the equipment and receiver.
- Reorient or relocate the receiving antenna.
- Connect the equipment into an outlet on a circuit different from that to which the receiver is connected.
- Consult the dealer or an experienced radio/TV technician for helps.

This equipment is in the 2nd Class category (information equipment to be used in a residential area there to) and conforms to the standards set by the Voluntary Control Council For Interference by Data Processing Equipment and Electronic Office Machines aimed at preventing radio interference in such residential area.

When used near a radio or TV receiver, it may become the cause of radio interference. Read the instructions for correct handling.

NOTE: Must be used with shielded cable only.

FOR YOU RECORDS

For your assistance in reporting this product in case of loss or theft, please record the model and serial number which are located on the bottom of the case. Please retain this information.

Model Number	Serial Number
Date of Purchase	Place of Purchase

All indicated copyrights and trademarks in the following pages are copyrights and trademarks of their Respective corporations.

IMPORTANT – COMPATIBILITY

We appreciate all of our honorable users of this product will read this compatibility list carefully.

Known Compatible Printer Model List

HP LaserJet: 5P, 5MP, 4L, 5L

HP DeskJet: 648C, 842C, 932C, 935C, 952C, 960Cse, 970Cse

CANON 4300, 4400, S400, S600

EPSON Stylus Color Series: 440, 670, 760, 777, 777I, 780, 880, 880I, 980

EPSON Stylus Photo 2000P

Brother MFC4350

Xerox Work Center Series: 450CP

Known Incompatible Printer Model List

Most Multiple Function Printers

Most Network Printers

Lexmark, Compaq Printers

Canon BJC 2xxx Printers

IR100M series (IR100/100M/100M+/100MP) is generally compatible with most parallel printer models. However, some latest models that are not backward compatible with ASCII or DOS-print commands may not be compatible. You should check our listed compatible models before purchasing.

IR100M series is generally not compatible with multi-function printer (MFP) which requires two way communication between printer and PC/PDA. IR100M adapter does provide two-way-communication capability and its returned signals are received but dropped by O.S. and therefore, not compatible with MFP. However, there are exceptions, such as Brother MFC4350 and other brands/models."

Please check our website : <http://www.actisys.com/compatibility.html> for the latest updating of compatibility.

We also appreciate if you will e-mail us at irda-info@actisys.com for printer models working with IR100M but not listed in the above compatibility list.

TABLE OF CONTENTS

1	INTRODUCTION	5
2	PARTS CHECK LIST	9
3	SYSTEM REQUIREMENTS	10
4	SETUP	11
5	TROUBLESHOOTING AND COMPATIBLE PRINTERS LIST	13
6	SPECIFICATIONS	15
7	WARRANTY INFOMATION	16
8	CONTACT INFORMATION	18

1 INTRODUCTION

The ACT-IR100M+ is the only Two-in-One IrDA parallel printer adapter that allows a mobile device to print directly via infrared. A mobile device user can print out via infrared port and he can also print out via parallel port from desktop PC. ACT-IR100M+ consists of a detachable serial IrDA adapter ACT-IR220L+ and a parallel adapter ACT-IR100MB. You can use the serial IrDA adapter ACT-IR220L+ alone for IR wireless data transfer from IrDA mobile devices to PC. Or you use ACT-IR220L+ and ACT-IR100MB together for IR printing from your mobile device. In this manual, we focus on the usage of IR printing function. For IR wireless data transfer, please see the IR220L+ user manual.

The ACT-IR100M is another Actisys IrDA parallel printer adapter that allows a mobile device to print directly via infrared. It features an integrated IR head and adapter body.

The ACT-IR100MP is a new designed Actisys IrDA parallel printer adapter that allows a mobile device to print directly via infrared. It features an integrated IR head and adapter body without external power supply. Small in size and light in weight make it more convenient for traveling users.

The ACT-IR100M+/IR100M is compliant with the Infrared Data Association (IrDA) specifications and works with IrDA compliant PCs running Windows 95/98/2000/ME/XP, Palm OS 3.2 or above and Windows CE 3.0 or above. It has an infrared data transmission rate of up to 115.2K bits per second.

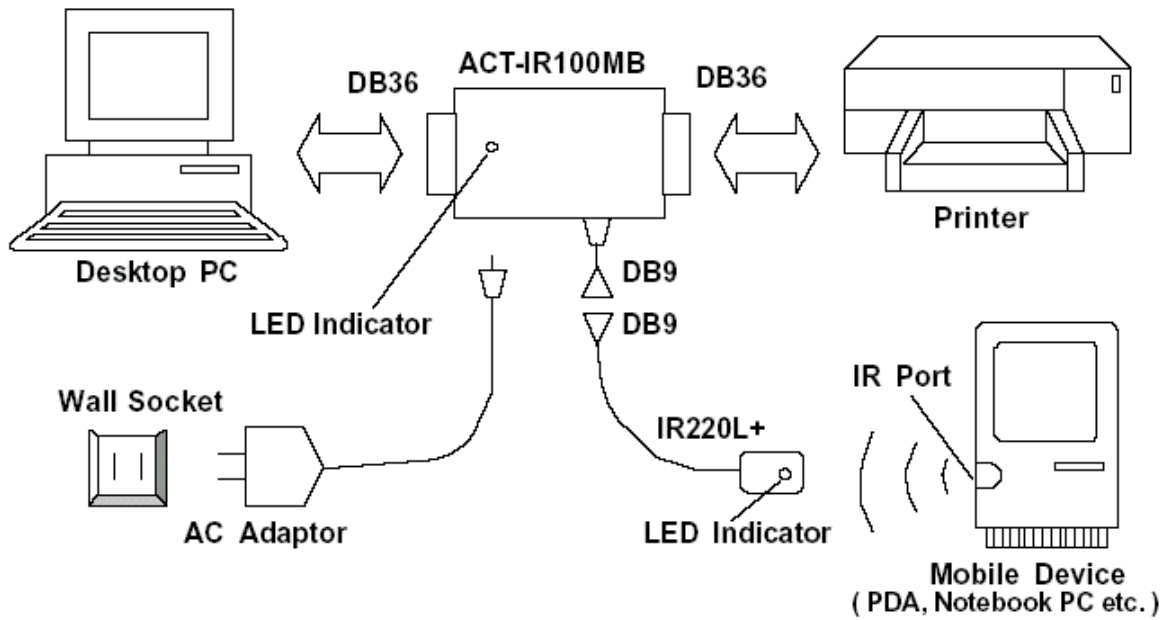


Figure 1: ACT-IR100M+

ACT-IR100M+ LED Status Definition

Name	Status	Meanings
LED	Off	Before Detecting IR Device
	Flash Slowly	IR Signal Detected
	On	IR Communicating

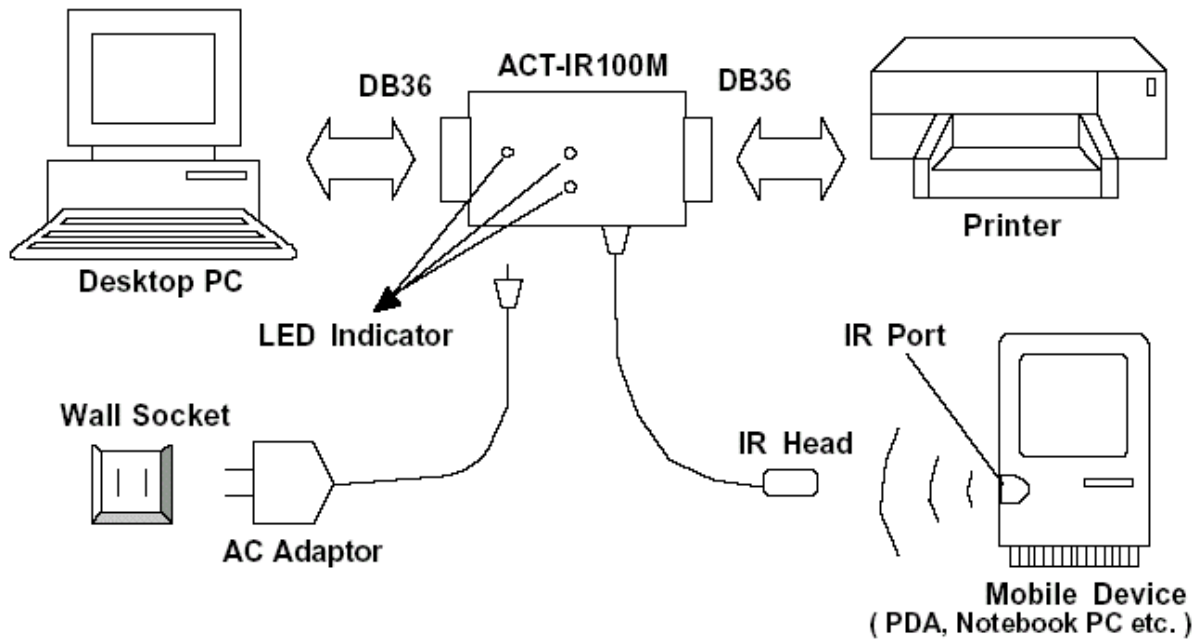


Figure 2: ACT-IR100M

ACT-IR100M LEDs Definition

Name	Status	Meanings
Infrared LED (green)	Flash	Stand-by for transmission
Parallel LED (green)	On or Flashes fast	Printing through the infrared port
Power LED (red)	On	Power on

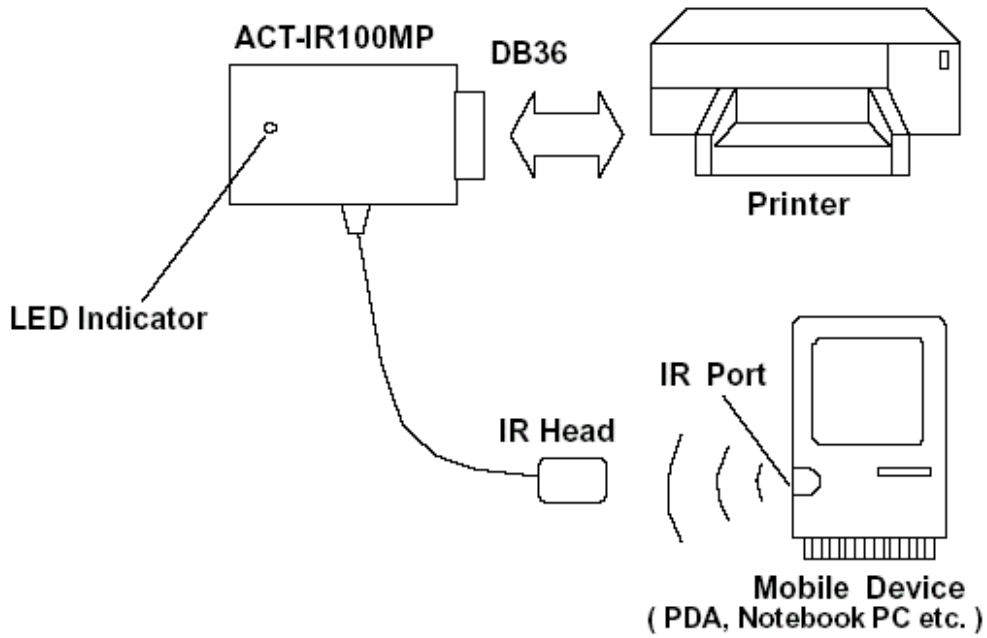


Figure 3: ACT-IR100MP

ACT-IR100MP LED Status Definition

Name	Status	Meanings
LED	Off	Before Detecting IR Device
	Flash Slowly	IR Signal Detected
	On	IR Communicating

2 PARTS CHECK LIST

When you unpack the package, the following items should be found.

1. ACT-IR100MB or ACT-IR100M or ACT-IR100MP
2. ACT-IR220L+ only for ACT-IR100M+
3. 7.5V AC Adapter, inside positive if ACT-IR100MB or ACT-IR100M
4. Microsoft Windows 95 Infrared Communication Driver, Version 2.0. This is **ONLY** for Windows 95. **DON'T** use it if your computer is not Windows 95.
5. User's Guide

3 SYSTEM REQUIREMENTS

To use ACT-IR100M+/IR100M/IR100MP, you **MUST** meet the following requirements.

Your PC which using passing through:

- A Centronics parallel port.
- A cable connecting your PC Centronics port and IR100M+/IR100M/IR100MP Centronics 36F port.
- A printer which is within ACTiSYS IR100M+/IR100M/IR100MP compatibility list.
- Proper printing software and proper printer driver on your PC.
- Window 95/98/ME/2000/XP.
- 110V/220 AC electrical outlets if ACT-IR100M+ or ACT-IR100M.

Your Mobile Device which using infrared:

- A infrared port which is compliant IrDA 1.0.
- A printer which is on ACTiSYS IR100M+/IR100M/IR100MP compatibility list.
- Proper printing software and proper printer driver on your mobile device. We recommend **ACTiPrintCE** for Window CE and **ACTiPrintPalm** for Palm OS.
- Windows CE 3.0 or above if your mobile device's OS is Window CE.
- Palm OS 3.2 or above if your mobile device's OS is Palm OS
- Windows 95/98/ME/2000/XP if you mobile device is Laptop PC
- 110V/220V AC electrical outlets if ACT-IR100M+ or ACT-IR100M.

A Parallel Printer which is compliant with **Centronics** protocol and Centronics-B (DB36) connector.

Note: If a printer states to support DOS, it complies **Centronics** protocol.

4 SETUP

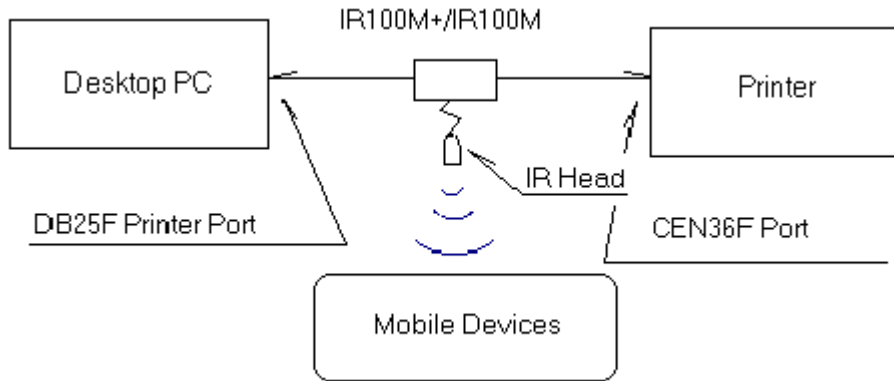


Figure 3: Connection Diagram with Passing Thru

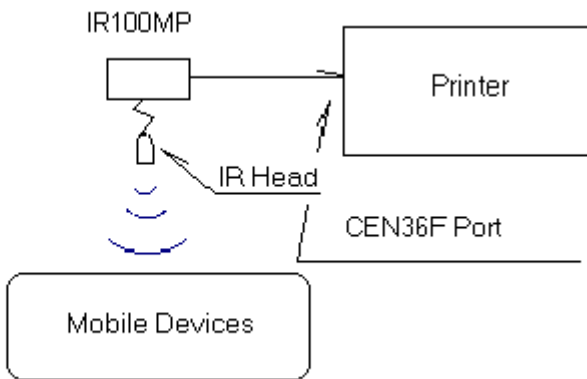


Figure 4: Connection Diagram without Passing Thru

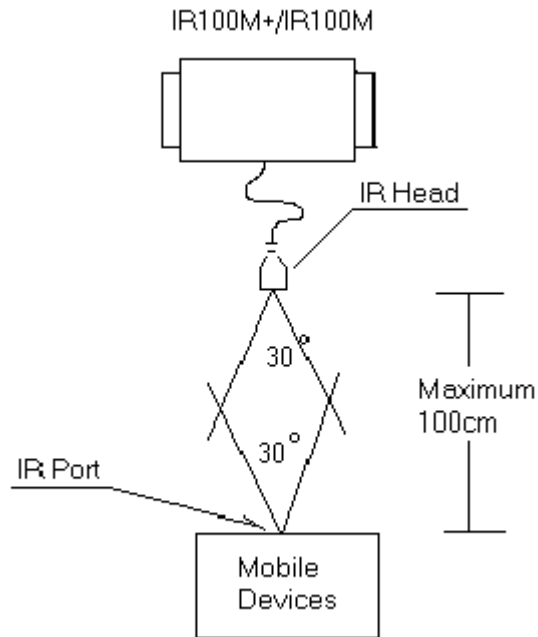


Figure 5. Align Diagram

Setting Up Your Printer/IR100M+/IR100M/IR100MP/PC (If you use the pass through function)

1. Turn Off both your computer and printer.
2. Connect ACT-IR220L+ to ACT-IR100M+ only if you have IR100M+.
3. Connect your printer and ACT-IR100M+/IR100M/IR100MP.
4. Connect your ACT-IR100M+/IR100M/IR100MP and PC by printer cable (If you use the pass through function)
5. Plug the AC adapter to the electrical outlet if external power supply need.
6. Plug the AC adapter to IR100M+/IR100M. The red LED on IR100M will be on, but the LED on IR100MB is still off.
7. Turn on your printer.
8. Add a new printer on **Printers**, set the Local **Printer/LPT1** and choose proper **printer** driver (if you use pass through). For details, see **Windows Printer Setting**.
9. Print by Windows application's **Print** (pass through). The parallel LED on the top of IR100M will flash. If not, see **Troubleshooting**.
10. Turn on your mobile device.
11. Activate the infrared if necessary. For details, see mobile device manual.
12. Install proper printing software. We recommend **ACTiPrintCE** if your mobile device's OS is Windows CE 3.0 or above or **ACTiPrintPalm** if your mobile device's OS is Palm OS 3.2 or above. If your mobile device is a PC with Windows 95/98/ME/2000/XP, you can use the application's print function. For details about how to install the printing software, see specific application manual.
13. Set your printer setting. Set port/**Infrared or virtual infrared port LPT3** and choose proper **printer** driver. Different mobile devices or printing software have different methods. For detail, see the printing software manual or **Windows Printer Setting** (Windows 95/98/ME/2000/XP device).
14. Align your mobile device infrared eye with IR100M+/IR100M/IR100MP IR Head (see figure 3). The LED on IR100M+/IR100MP will flash slowly. Or the Infrared LED on the top of IR100M will flash.
15. Choose **Print**, the LED on IR100M+/IR100MP will be on and printer begin to print out. Or the parallel LED on the top of IR100M will flash and printer beginning to print out. If not, see **Trouble Shooting**.

5 TROUBLESHOOTING AND COMPATIBLE PRINTERS LIST

For help on general and miscellaneous problems you may be experiencing with your printing, refer to the following pages for possible solutions. Look up your problem and try the solution.

Note: Checking if your printer is on the IR-100M+/IR100M/IR100MP compatibility list first. If not, contact Actisys technical support.

ACT-IR100MP Trouble Shooting Table

Problem	Solution
When I try to print from my mobile device, the LED is not on.	Be sure your mobile device's infrared port is activated. Be sure the IR100MP's eye is aligned well with your mobile eye. Be sure there is no obstruction between two eyes. Be sure the distance between two eyes met the infrared requirements.
When I try to print from my mobile device, the LED flashes or on, but nothing prints out or the printout is not readable.	Check if your printing software is on the Actisys recommend software list. If not, contact Actisys technical support. Be sure the printing port is set to infrared. Be sure the printer settings are correct.

ACT-IR100M+ Trouble Shooting Table

Problem	Solution
When I try to print from my desktop PC, nothing prints out (pass through).	Be sure AC adapter has firmly connected to IR100M+. Be sure the cable between your desktop and IR100M is firmly connected. Be sure IR100M+ is firmly attached to printer. Be sure your PC printing set to parallel port. Be sure your printer powers on. Be sure your printer settings are correct.
When I try to print from my mobile device, the LED is not on.	Be sure AC adapter has firmly connected to IR100M+. Be sure your mobile device's infrared port is activated. Be sure the IR100M's eye is aligned well with your mobile eye. Be sure there is no obstruction between two eyes. Be sure the distance between two eyes met the infrared requirements.
When I try to print from my mobile device, the LED flashes or on, but nothing prints out or the printout is not readable.	Check if your printing software is on the Actisys recommend software list. If not, contact Actisys technical support. Be sure the printing port is set to infrared. Be sure the printer settings are correct.

ACT-IR100M Trouble Shooting Table

IF your IR100M version is v2.2 or below, you **MUST** follow the power sequence.

Problem	Solution
The power LED is not on.	<ol style="list-style-type: none"> 1 Be sure there is 110V AC power supply to your wall outlet. 2 Be sure AC adapter is firmly plugged in the wall outlet. 3 Be sure AC adapter's output is 7.5V ~ 12V inside positive. 4 Be sure AC adapter is firmly attached to IR100M.
When I try to print from my desktop PC, the parallel port LED does not flash or on at all, nothing prints out	<ol style="list-style-type: none"> 1 Be sure the cable between your desktop and IR100M is firmly connected. 2 Be sure IR100M is firmly attached to printer. 3 Be sure your PC printing set to parallel port.
When I try to print from my desktop PC, the parallel port LED flashes or on, but nothing prints out or the printout is not readable.	<ol style="list-style-type: none"> 1 Be sure your printer powers on. 2 Be sure your printer settings are correct.
When I try to print from my mobile device, the infrared port LED does not flash at all.	<ol style="list-style-type: none"> 1 Be sure your mobile device's infrared port is activated. 2 Be sure the IR100M's eye is aligned well with your mobile eye. 3 Be sure there is no obstruction between two eyes. 4 Be sure the distances between two eyes meet the infrared requirements.
When I try to print from my mobile device, the infrared port LED flashes, but nothing prints out or the printout is not readable.	<ol style="list-style-type: none"> 1 Check if your printing software is on the Actisys recommend software list. If not, contact Actisys technical support. 2 Be sure the printing port is set to infrared. 3 Be sure there is no conflict between the infrared and other devices. 4 Be sure the printer settings are correct.

If the problems exist, please contact ACTiSYS technical support.

6 SPECIFICATIONS

Model: ACT-IR100M+/100M/100MP

Carrier: Infrared radiation (peak wavelength: 850 to 1050 nm)

IrDA SIR Transmission Speed: 9.6, 19.2, 38.4, 57.6, 115.2K bps

Parity Bit: None

Data: 8 bit

Stop Bit: 1 bit

Error Check: CRC

Parallel Interface: Centronics 36F/36M Cable to Parallel Printer.
DB 25M/Centronics 36M Cable to PC Parallel Port.

Serial Interface: (IR100M+ only) DB9 Male Connector on IR100MB
Connector on IR220L+

DB9 Female

Power Source: AC 120V 50/60Hz with AC adapter.
(ACT3-128) 7.5V DC, 300mA
(AC adapter for spec. of other countries also available)

Power Consumption: 0.30W During Printing

Operating Temperature: 0°C to 40°C (32°F to 104°F)

IR100M+

Dimension: 2.68" (W) x 3.15" (L) x 1" (H)
(68mmW x 80mmL x 25mmH)

Weight: 7.1 oz (201 gr.) (excluding battery or cable)

Cable (IR220L+): 5'11" (180cm)

IR100M

Dimension: 2.36" (W) x 3.94" (L) x 0.79" (H)
(60mmW x 100mmL x 20mmH)

Weight: 6.6 oz (188 gr.) (not including battery)

IR100MP

Dimension: 2.68" (W) x 3.15" (L) x 1" (H)
(68mmW x 80mmL x 25mmH)

Weight: ____ oz (____gr.) (no battery is required)

7 WARRANTY INFORMATION

THE FOLLOWING WARRANTY GIVES YOU SPECIFIC LEGAL RIGHTS. YOU MAY ALSO HAVE OTHER RIGHTS WHICH VARY FROM STATE TO STATE.

ACTiSYS Corporation warrants to the first consumer purchaser, for a period of one year from the date of purchase, that this wireless interface ("the Product") will be free from defective workmanship and materials, and agrees that it will, at its option, either repair the defect or replace the defective Product or part thereof at no charge to the purchaser for parts or for labor.

This warranty does not apply to any appearance items of the Product, any consumable items such as paper, ink ribbon, or batteries supplied with the Product, or to any equipment or any hardware, software, firmware, or peripheral other than the Product. This warranty does not apply to any Product the exterior of which has been damaged or defected, which has been subjected to misuse, abnormal service or handling, or which has been altered or modified in design, construction or interfacing. **Tampering With Label Voids Warranty.**

In order to enforce the rights under this limited warranty, the purchaser should mail, ship, or carry the Product, together with proof of purchase, to ACTiSYS.

The limited warranty described above is in addition to whatever implied warranties may be granted to purchasers by law. To the extent permitted by applicable law, ALL IMPLIED WARRANTIES INCLUDING THE WARRANTIES OF MERCHANT ABILITY AND FITNESS FOR USE ARE LIMITED TO A PERIOD OF ONE YEAR FROM THE DATE OF PURCHASE. Some states do not allow limitations on how long an implied warranty lasts, so the above limitation may not apply to you.

Neither the sales personnel of the seller nor any other person is authorized to make any warranties other than those described above, or to extend the duration of any warranties beyond the time period described above on behalf of ACTiSYS Corporation.

The warranties described above shall be the sole and exclusive remedy available to the purchaser. Correction of defects, in the manner and for the period of time described above, shall constitute full satisfaction of all claims, whether based on contract, negligence, strict liability or otherwise. In no event shall ACTiSYS Corporation be liable, or in any way responsible, for any damages or defects in the Product which were caused by repairs or attempted repairs performed by anyone other than ACTiSYS technician. Nor shall ACTiSYS Corporation be liable or in any way responsible for any incidental or consequential economic or property damage. Some states do not allow the exclusion of incidental or consequential damages, so the above exclusion may not apply for you.

ACTiSYS Corporation warrants to the first consumer purchaser, for a period of 1 year from the date of purchase, that this wireless interface (The Product) will be free from defective workmanship and materials, and agrees that it will, at its option, either repair the defect or replace the defective Product or part thereof at no charge to the purchaser for parts or for labor.

This warranty does not apply to any appearance items of the Product, any consumable items such as paper, ink ribbon, or batteries supplied with the Product, or to any equipment or any hardware, software, firmware, or peripheral other than the Product. This warranty does not apply to any Product the exterior of which has been damaged or defected, which has been subjected to misuse, abnormal service or handling, or which has been altered or modified in design, construction or interfacing. Tampering With Label Voids Warranty.

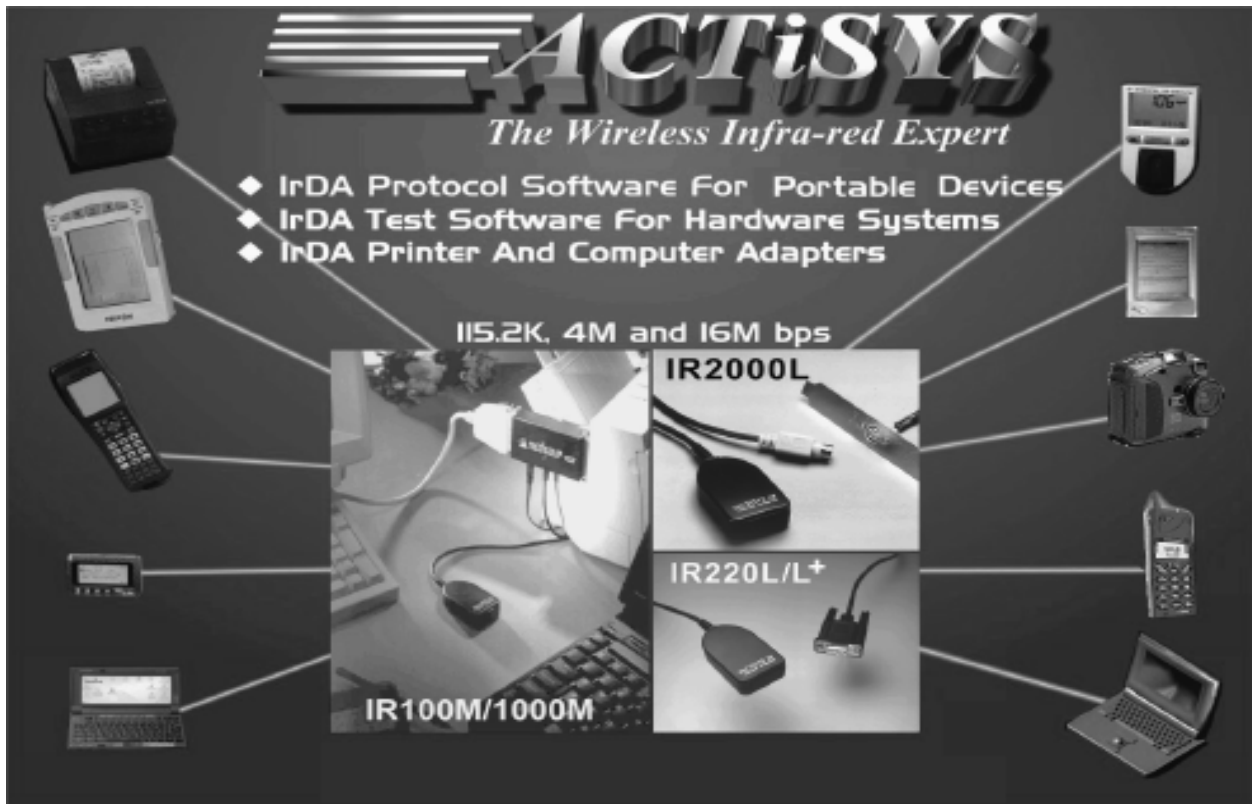
In order to enforce the rights under this limited warranty, the purchaser should mail, ship, or carry the Product, together with proof of purchase, to ACTiSYS .

The limited warranty described above is in addition to whatever implied warranties may be granted to purchasers by law. To the extent permitted by applicable law, ALL IMPLIED WARRANTIES INCLUDING THE WARRANTIES OF MERCHANT ABILITY AND FITNESS FOR USE ARE LIMITED TO A PERIOD OF 1 YEAR FROM THE DATE OF PURCHASE. Some states do not allow limitations on how long an implied warranty lasts, so the above limitation may not apply to you.

Neither the sales personnel of the seller nor any other person is authorized to make any warranties other than those described above, or to extend the duration of any warranties beyond the time period described above on behalf of ACTiSYS Corporation.

The warranties described above shall be the sole and exclusive remedy available to the purchaser. Correction of defects, in the manner and for the period of time described above, shall constitute full satisfaction of all claims, whether based on contract, negligence, strict liability or otherwise. In no event shall ACTiSYS Corporation be liable or in any way responsible, for any damages or defects in the Product which were caused by repairs or attempted repairs performed by anyone other than ACTiSYS technician. Nor shall ACTiSYS Corporation be liable or in any way responsible for any incidental or consequential economic or property damage. Some states do not allow the exclusion of incidental or consequential damages, so the above exclusion may not apply to you.

8 CONTACT INFORMATION



ACTiSYS
The Wireless Infra-red Expert

- ◆ IrDA Protocol Software For Portable Devices
- ◆ IrDA Test Software For Hardware Systems
- ◆ IrDA Printer And Computer Adapters

115.2K, 4M and 16M bps

IR2000L

IR220L/L+

IR100M/1000M

The advertisement features a central graphic with the ACTiSYS logo and tagline. Below the logo is a list of three bullet points describing their services. Underneath the list, the text '115.2K, 4M and 16M bps' is displayed. The central graphic is divided into four quadrants, each showing a different IrDA product: IR2000L, IR220L/L+, and IR100M/1000M. The IR100M/1000M product is shown connected to a computer system. Surrounding the central graphic are various images of devices that can use IrDA technology, including a printer, a scanner, a mobile phone, a PDA, a camera, and a laptop.

ACTiSYS Corporation.
48511 Warm Springs Blvd, Suite 206
Fremont, CA 94539, USA
TEL: (510) 490-8024, FAX: (510) 623-7268
E-Mail: irda-support@actisys.com
Web: www.actisys.com