



Installation + User Guide

SNYSC1 Sony Compatible

SiriusConnect™ Interface

Congratulations on the Purchase of your new SNYSC1 Sony Compatible SiriusConnect Interface

The SNYSC1 is a specially designed interface that allows a Sony® SAT-Radio Ready headunit to correctly communicate and control a SIRIUS® Satellite Radio Tuner.

The SNYSC1 is compatible with all Sony SAT-Radio-Ready headunits. It can be connected to either the SCC1 SiriusConnect Vehicle Tuner or the SCVDOC1 SiriusConnect Vehicle Dock with a compatible Dock and Play or portable SIRIUS radio attached.

Requires Sony
SAT-Radio-Ready Headunit...



...and a SiriusConnect tuner (SCC1) or a
vehicle kit (SCVDOC1) and compatible
Dock and Play or Portable radio



Table of Contents

TABLE OF CONTENTS.	3
COPYRIGHTS & TRADEMARKS	4
WARNING AND SAFETY INFORMATION.	5
FCC Information	5
Canadian Compliance	6
Safety Precautions.	6
PACKAGE CONTENTS.	7
COMPATIBILITY	9
CONNECTORS	10
INSTALLATION	12
Mounting the SNYSC1 Interface	12
Wiring the SNYSC1 Interface	15
OPERATION	20
SPECIFICATIONS.	21

Copyrights & Trademarks

© 2007 Sirius Satellite Radio Inc. All Rights Reserved.

® “SIRIUS”, the SIRIUS dog logo, channel names and logos are trademarks of Sirius Satellite Radio Inc. “Sony” is a registered trademark of Sony Electronics Inc. “iPod” is a registered trademark of Apple Inc. All Rights Reserved.

™ “SiriusConnect”, is a trademark of Sirius Satellite Radio Inc. UniLink is a trademark of Sony Electronics Inc.

Hardware, subscription, and activation fee required. For full Terms & Conditions, visit <http://sirius.com>. Prices and programming are subject to change. Not available in HI and AK. Equipment and subscription sold separately. Installation required with some equipment.

Warning and Safety Information

FCC Information

This device complies with part 15 of the FCC Rules. Operation is subject to the following two conditions:

1. This device may not cause harmful interference, and
2. This device must accept any interference received, including interference that may cause undesired operation.

Note: This equipment has been tested and found to comply with the limits for a CLASS B digital device, pursuant to Part 15 of the FCC Rules. These limits are designed to provide reasonable protection against harmful interference when the equipment is operated in a commercial environment. This equipment generates, uses, and can radiate radio frequency energy and, if not installed and used in accordance with the instructions, may cause harmful interference to radio communications. However, there is no guarantee that interference will not occur in a particular installation. If this equipment does cause harmful interference to radio or television reception, which can be determined by turning the equipment off and on, the user is encouraged to try to correct the interference by one or more of the following measures:

1. Reorient or relocate the receiving antenna.
2. Increase the separation between the equipment and the receiver.
3. Connect the equipment into an outlet on a circuit different from that to which the receiver is connected.
4. Consult the dealer or an experienced radio/TV technician for help.

WARNING

Changes or modifications not expressly approved by the manufacturer could void the user's authority to operate the equipment.

Canadian Compliance

This Class B digital apparatus complies with Canadian ICES-003.

Cet appareil numérique de la classe B est conforme à la norme NMB-003 du Canada.

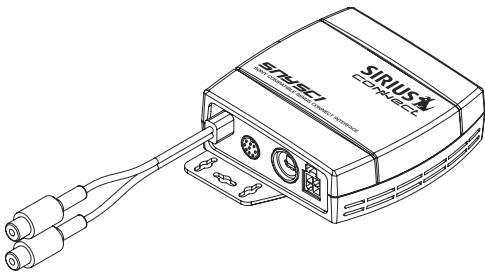
Safety Precautions

Be sure to observe the following warnings. Failure to follow these safety instructions and warnings may result in a serious accident and/or personal injury.

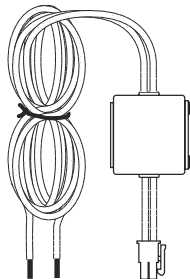
- Install the cables and wiring so that it is not crimped or pinched by screws or sharp metal edges. Route the cables away from moving parts or sharp pointed edges. This will prevent crimping and damage to the wiring. If the wiring must pass through a metal hole, be sure to use a rubber grommet to prevent the wire's insulation from being cut by the metal edge of the hole.
- Do not open, disassemble or alter the unit in any way. Doing so may result in fire, electric shock or product damage.
- Do not insert any objects into the unit. Doing so may result in fire, electric shock or product damage.
- Do not install the unit to high levels of humidity, moisture or dust. Doing so can result in electric shock or product failure.

Package Contents

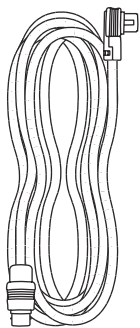
The following items are included with your purchase of the SNYSC1. Unpack the materials carefully and make sure that everything shown is present. If anything is missing or damaged, or if the device fails to operate properly, notify your dealer immediately. It is recommended that you retain the original carton and packing materials in case you need to ship your kit in the future.



SNYSC1 SiriusConnect Interface Adapter



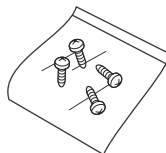
Power Harness



UniLink™ Data Cable



Audio Cable



Mounting screws (x4)

Compatibility

The SNYSC1 SiriusConnect Interface is compatible with all Sony SAT-Radio-Ready headunits.

The UniLink input pass-through connector on the SNYSC1 can support the Sony iPod adapter or Sony CD Changer.

Connectors

Figure 1 and the table following identify and describe the connectors of the SNYSC1.

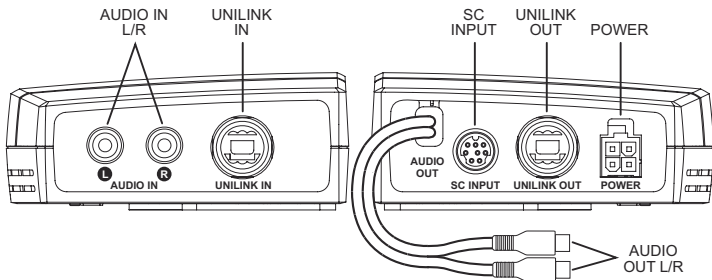


Figure 1

Description of the SNYSC1 Connectors	
Connector	Description
Audio In Connectors L/R	Connects to the audio output of a Sony CD Changer, iPod adapter, or other UniLink compatible device
UniLink In Connector	Connects to a Sony CD Changer, iPod® adapter, or other UniLink compatible device
Audio Out Cable	Connects to the UniLink Audio input on the Sony headunit

Description of the SNYSC1 Connectors	
Connector	Description
SC Input Connector	Connects to the SCC1 tuner or the SCVDOC1 dock
UniLink Out Connector	Connects to the UniLink connector on the Sony headunit
Power Connector	Connects to the vehicle's DC power/ground using the provided power harness Yellow: Connects to a positive DC voltage source Black: Connects to vehicle ground

Installation

It is recommended that prior to starting the installation, you thoroughly read these installation instructions and then follow them carefully for a successful installation.

Mounting the SNYSC1 Interface

Consider the mounting location carefully. You should make sure that you avoid the following:

- Any location where the device is exposed to moisture.
- Any location where the device is exposed to extreme heat.
- Any location where the device cannot get adequate ventilation.
- Any location that would interfere with moving parts on the vehicle or hamper driving.

Be sure that you find a mounting location that is flat and has clearance above the device to prevent any damage as well as allowing for ventilation.

The SNYSC1 can be mounted in three different ways:

1. By using attached mounting plate with the provided screws to secure the device to the vehicle. (Figure 2) **Caution:** If you are attaching the device directly to the vehicle's chassis, be sure that you check to make sure the area behind the device is free from moving parts, fuel or brake lines, wire harnesses, or any other items which may get damaged by drilling a mounting hole or using the supplied screws.
2. By removing the mounting plate from the SNYSC1, and instead mounting it directly to a surface using either double-sided stick tape, hook and loop, or other adhesive material (not provided). Simply remove the two screws on the bottom of the SNYSC1 to remove the bracket, as shown in Figure 3.

3. By attaching the SNYSC1 and the SIRIUS SCC1 tuner together. To connect the devices together, simply remove the mounting brackets from each device, rotate them 90°, and connect them together as shown in Figure 4.

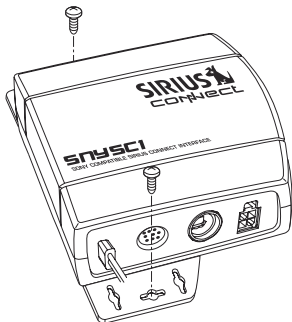


Figure 2

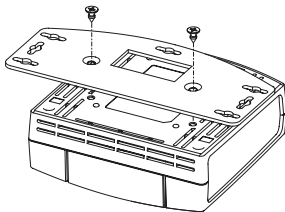


Figure 3

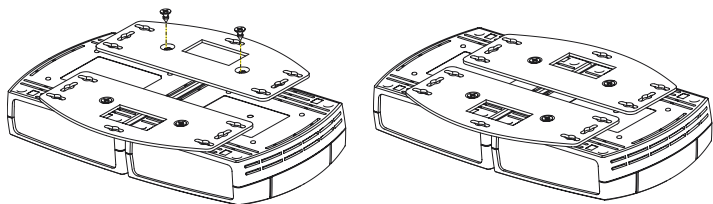


Figure 4

Wiring the SNYSC1 Interface

Power Harness

Connect the yellow wire of the power harness to a suitable +12V power source in the vehicle, which is capable of providing 1 amp of power. Connect the black wire to the vehicle ground. (Figure 5)

The power harness for the SNYSC1 has power filter box which contains a fuse for the 12V battery connection. Figure 5 also shows the location and type of fuse, and also the identifies the pin-outs of the power connector.

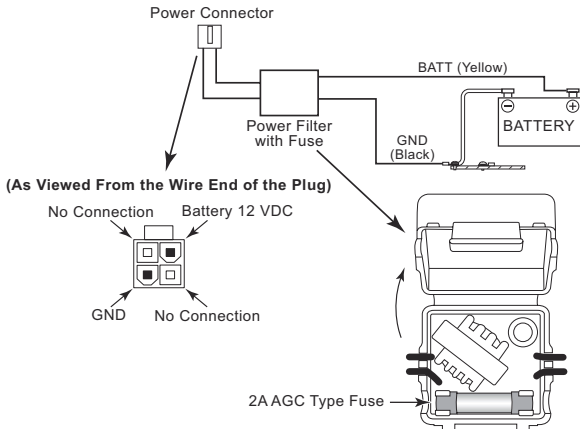


Figure 5

System Wiring

There are three possible wiring configurations:

1. A simple configuration which utilizes only the SNYSC1 Interface. (Figure 6 on page 17.)
2. A configuration which utilizes an iPod adapter in addition to the SNYSC1 Interface. (Figure 7 on page 18.)
3. A configuration which utilizes an iPod adapter and a CD changer in addition to the SNYSC1 Interface. (Figure 8 on page 19.) This configuration requires a Sony XA-C40 Source Selector (not provided). Please note that it is important to connect each device to the correct input ports of the source selector, as shown in Figure 8.

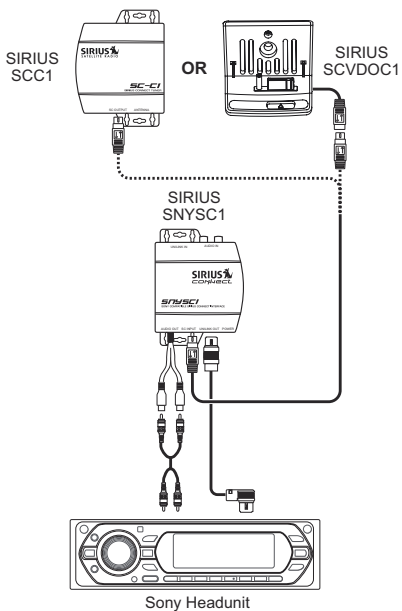
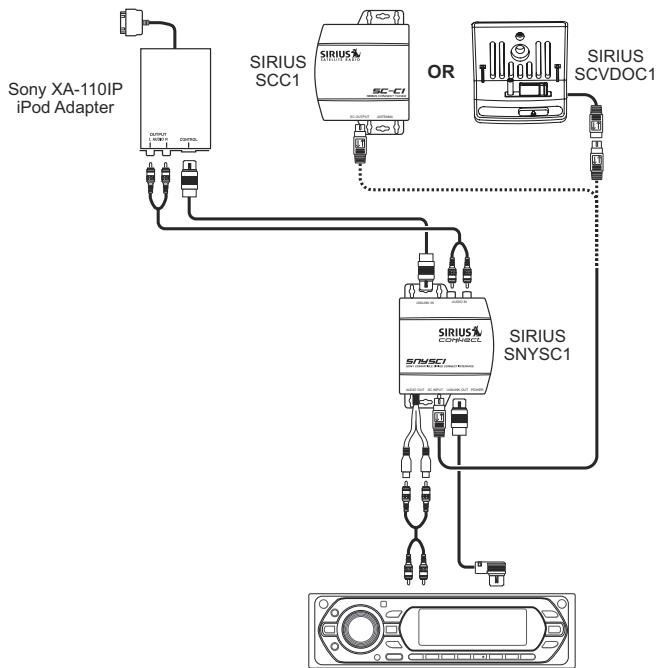


Figure 6



Sony Headunit

Figure 7

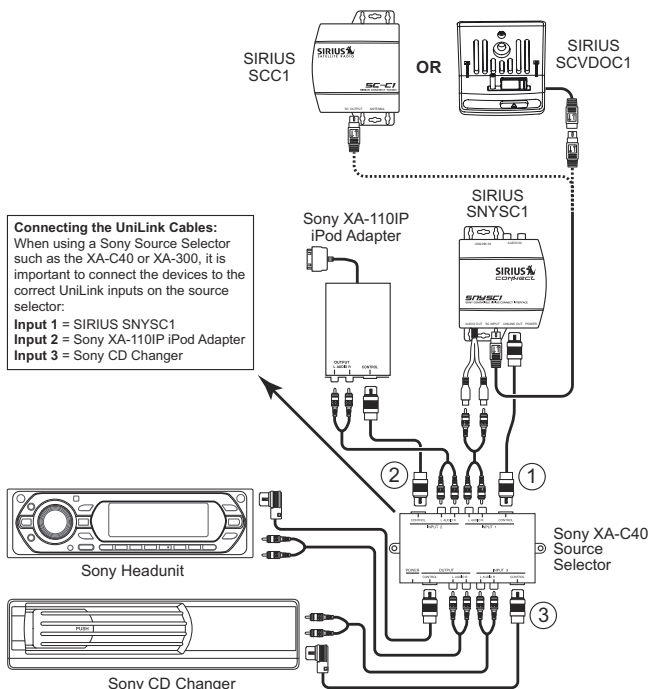


Figure 8

Operation

For operation instructions, please consult the instruction manual which accompanied your headunit.

Additional instructions may also be found in the manual which accompanied your SIRIUS SCC1 tuner or SCVDOC1 dock and SIRIUS radio.

Specifications

Power Requirements	11-14 VDC, 1A
In-Line fuse (Located inside Filter Box)	1A AGC
Operation Temperature	-20° to +85° C (-4° to +185° F)
Dock Dimensions (Width x Height x Depth)	86mm x 87mm x 33.2mm
Weight	120g
UniLink Cable Length	2.5m
RCA Audio Cable Length	2.5m



sirius.com

SIRIUS Satellite Radio Inc.
1221 Avenue of the Americas
New York, NY 10020

800.869.5590

SNYSC1 SiriusConnect™ Interface (SNYSC1120407a)
00.ABCD1.001