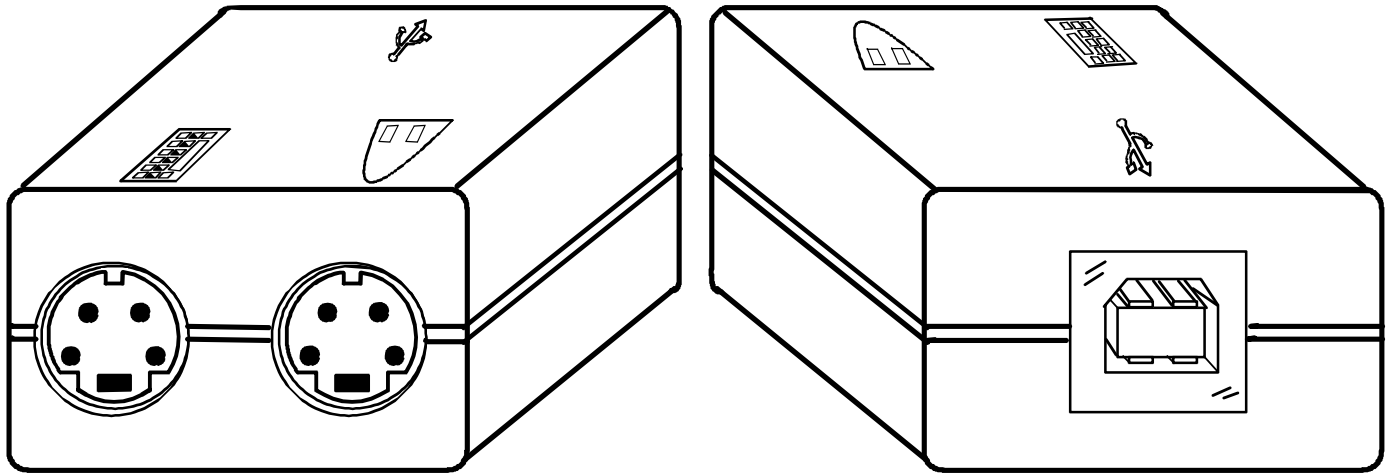




USB-ADB USB TO ADB ADAPTER

INSTALLATION / USER GUIDE

MAN009 REV 4/20/01



Introduction

The NTI USB-ADB is a USB to ADB adapter that allows users to easily connect their MAC USB enabled computer (G3/G4) to an NTI Universal Multi Platform (ST-xU) or Universal Matrix (ST-nXm-U) KVM Switch. The NTI USB-ADB adapter fully supports keyboard soft power ON and OFF.

Parts Included

- 1 NTI USB-ADB Adapter
- 1 USB-AB-0,5M-5T USB AB male-to-male cable

Cable that may be required but is not supplied:

Application	NTI CABLE
Connect adapter to NTI Universal Switch	MKTINT-xx-MM

Legend:

xx is the length of the cable in feet.
MM indicates male-to-male connector.

Applications:

Connect any NTI Universal or Matrix KVM Switch to a MAC with a USB port (see Fig.1).

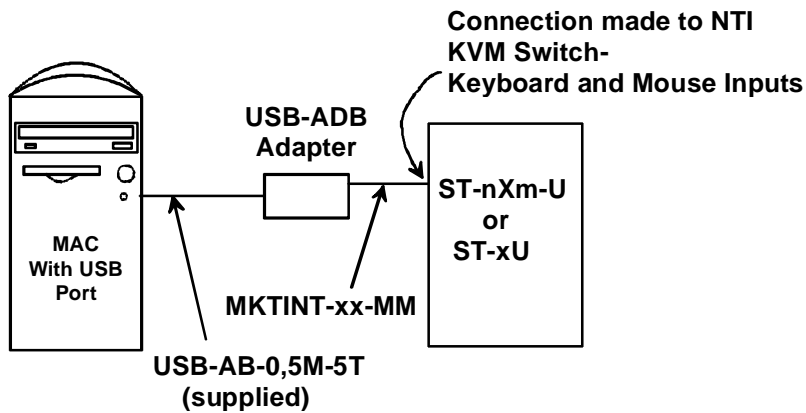


Fig. 1

Connect an ADB MAC Keyboard and/or Mouse to a MAC with a USB port (see Fig. 2).

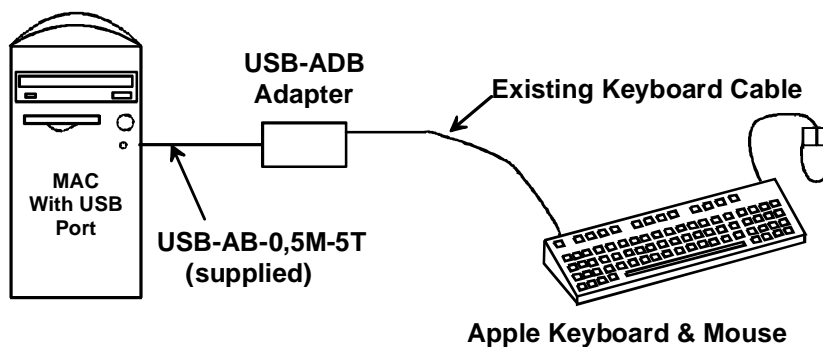
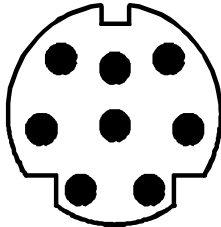


Fig. 2

Setup

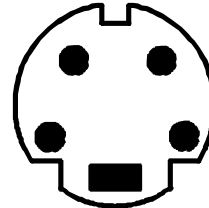
When using the USB-ADB adapter to connect to an NTI KVM switch:

1. Connect the male 8 pin miniDIN end of the MKTINT-xx-MM cable to a female 8 pin miniDIN Keyboard and Mouse input port on the NTI KVM switch being used (see Fig. 3). Switch the power ON to the KVM switch if it isn't already.
2. Connect the male 4 pin miniDIN end of the MKTINT-xx-MM cable to either of the 4 pin miniDIN female ports on the USB-ADB adapter (see Fig. 4).



Mating Face of a 8 Pin miniDIN Female

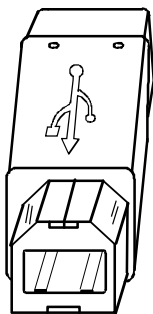
Fig. 3



Mating Face of a 4 pin miniDIN Female

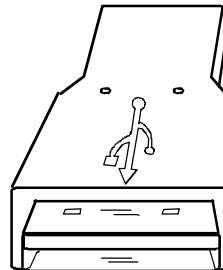
Fig. 4

3. Connect the USB type B male connector of the USB-AB-0.5M-5T cable (see Fig. 6) to the USB type B female port on the USB-ADB adapter.
4. Connect the USB type A male connector of the USB-AB-0.5M-5T cable (see Fig. 7) to a USB type A female port on the host computer. Note: It is important to make this connection last, particularly if the host computer is already ON at the time of connection.



USB Type B Male Connector

Fig. 6



USB Type A Male Connector

Fig. 7

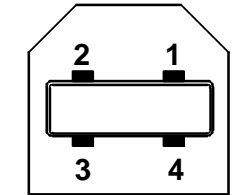
When using the USB-ADB adapter to connect an ADB MAC Keyboard and/or Mouse to a MAC with a USB port:

1. Connect the 4 pin miniDIN male connector of the MAC keyboard and mouse assembly into either of the female 4 pin miniDIN ports on the USB-ADB adapter.
2. Continue with steps 3 and 4 above.

PLEASE NOTE: We recommend that the host computer be configured such that the Sleep Mode is not enabled. However, if it is necessary to enable the sleep mode, in order to wake up from Sleep Mode, the user must momentarily disconnect the USB cable connection from either the USB-ADB adapter or from the host computer. Simply unplug the connection, then plug it back in.

Technical Specifications

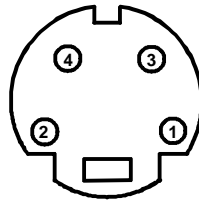
Mating face of a USB Type B Female



PIN #	SIGNAL
1	+VCC
2	- DATA
3	+DATA
4	GND

Fig. 8

Mating Face of a 4 pin miniDIN Female



PIN #	SIGNAL
1	DATA
2	PWRN
3	+5
4	GND

Fig. 9

WARRANTY INFORMATION

The warranty period on this product (parts and labor) is one (1) year from the date of manufacture (indicated on the bottom of the product). Please contact Network Technologies Inc at **(800) 742-8324** (800-RGB-TECH) or **(330) 562-7070** or visit our website at <http://www.nti1.com> for information regarding repairs and/or returns. A return authorization number is required for all repairs/returns.

COPYRIGHT

Copyright © 2001 by Network Technologies Inc. All rights reserved. No part of this publication may be reproduced, stored in a retrieval system, or transmitted, in any form or by any means, electronic, mechanical, photocopying, recording, or otherwise, without the prior written consent of Network Technologies Inc, 1275 Danner Drive, Aurora, Ohio 44202

CHANGES

The material in this guide is for information only and is subject to change without notice. Network Technologies Inc reserves the right to make changes in the product design without reservation and without notification to its users.

SERIAL NO.: _____

INSPECTED BY: _____

DATE: _____