

---

# Replacement Parts Manual

# Package Air Conditioner

Models: **P1124A1**  
**P1130A1**  
**P1136A1**

---

## General Notes

- Revised and/or additional pages may be issued from time to time.
- A complete and current manual consists of pages shown in the following contents section.

## Important

- Contact the installing and/or local Bard distributor for all parts requirements. Make sure you have the complete model and serial number available from the unit rating plates.

## Contents

Description	Page
Cabinet Components	
♦ Exploded View .....	1
♦ Usage List .....	2
Functional Components	
♦ Exploded View .....	3
♦ Usage List .....	4
Control Panel	
♦ Exploded View .....	5
♦ Usage List .....	6
♦ Exploded View .....	7
♦ Usage List .....	8

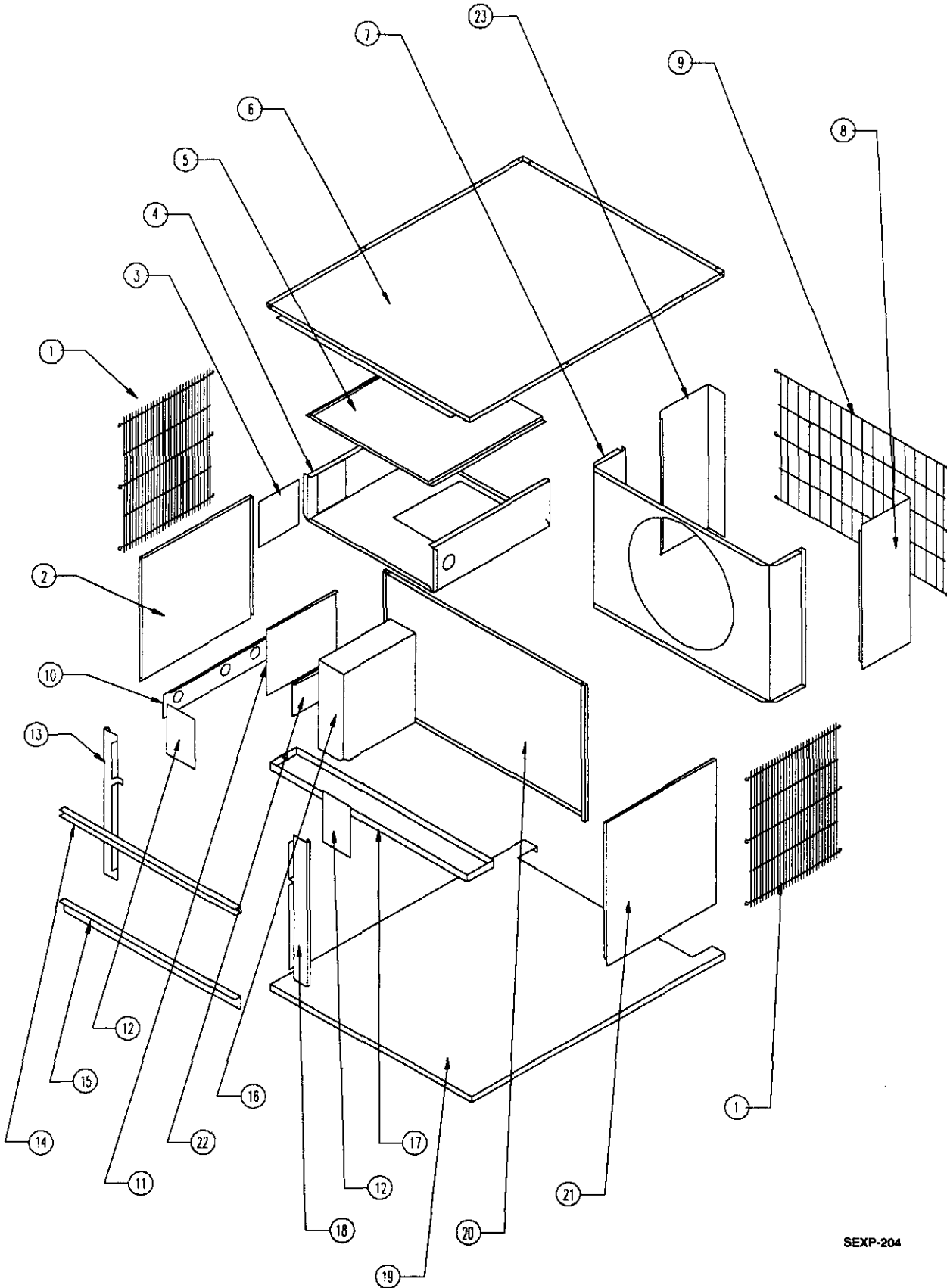


**BARD MANUFACTURING COMPANY**  
Bryan, Ohio 43506

*Since 1914...Moving, ahead just as planned.*

Manual: 2110-207H  
Rev: 2110-207G  
Date: 11-07-97

# CABINET COMPONENTS



SEXP-204

**Dave Hissong**

**From:** Dick Hanna  
**Sent:** Wednesday, August 11, 1999 4:36 PM  
**To:** Dave Hissong; Carl Bowers  
**Subject:** FW: Hot Gas components for P1136A1-B/H

they will be updating the manuals, in the meantime:

-----Original Message-----

**From:** Larry Lundy  
**Sent:** Wednesday, August 11, 1999 4:20 PM  
**To:** Dick Hanna  
**Cc:** Irv Derks  
**Subject:** Hot Gas components for P1136A1-B/H

Hot gas components for P1136A1-B/H

Part Number	Description
5651-097	head pressure control valve [ this valve is a combination of ORI and ORD ]
5651-064	Hot gas Bypass valve
5651-100	Expansion Valve
5651-098	Distributor
5202-016	Suction line Accumulator
5651-051	Manual shut off valve
5203-004	Receiver
5201-014	Sight Glass
5201-001	Liquid line filter drier

Larry Lundy

1

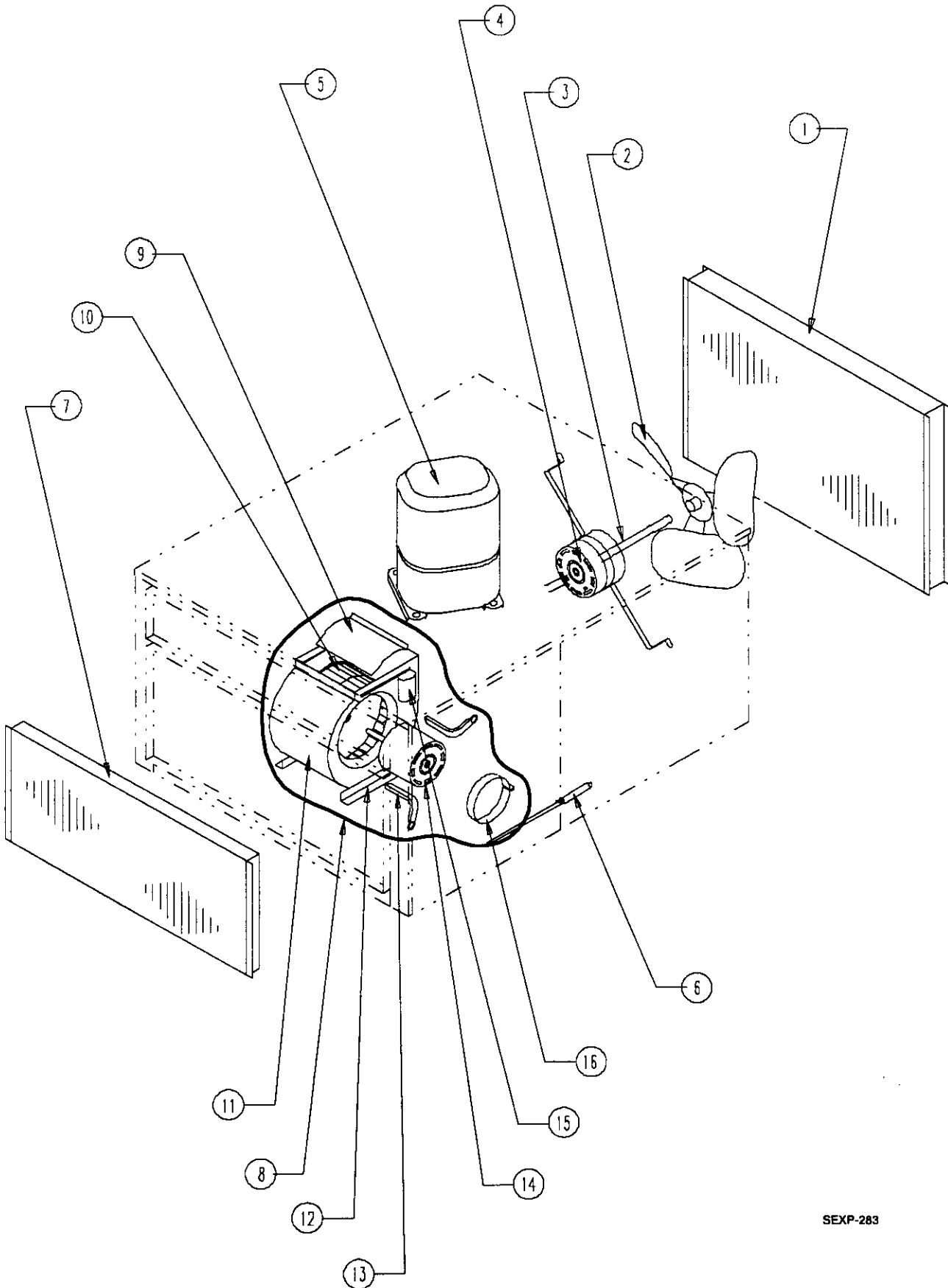
2

3

# CABINET COMPONENTS

Drawing No.	Part No.	Description	P1124A1	P1130A1	P1136A1
1	7051-015	Inlet Grille	2	2	2
2	501-133-X	Left Side	X	X	X
3	142-017	Cover Plate – OKW	X	X	X
4	520-284	Blower Partition	X		
4	520-286	Blower Partition		X	X
5	134-017	Heat Strip	X	X	X
6	507-168-X	Top	X	X	X
7	125-012-X	Fan Shroud	X	X	X
8	149-085-X	Right Rear Corner	X	X	X
9	7051-001	Condenser Grille	X	X	X
10	557-028-X	Entrance Panel	X	X	X
11	133-035-X	Control Panel Cover	X	X	X
12	136-312	Blower Fill Plates	2	2	2
13	549-082-X	Left Front Cover	X	X	X
14	165-552-X	Plenum Channel	X	X	X
15	105-521-X	Plenum Angle	X	X	X
16	Control Panel Assembly	See Control Panel Drawing & Parts List	X	X	X
17	123-088-X	Drain Pan	X	X	X
18	549-081-X	Right Front Corner	X	X	X
19	527-255	Base	X	X	X
20	521-283-X	Compressor Partition	X	X	X
21	501-132-X	Right Side	X	X	X
22	142-016	Entrance Cover	X	X	X
23	149-086-X	Left Rear Corner	X	X	X

# FUNCTIONAL COMPONENTS

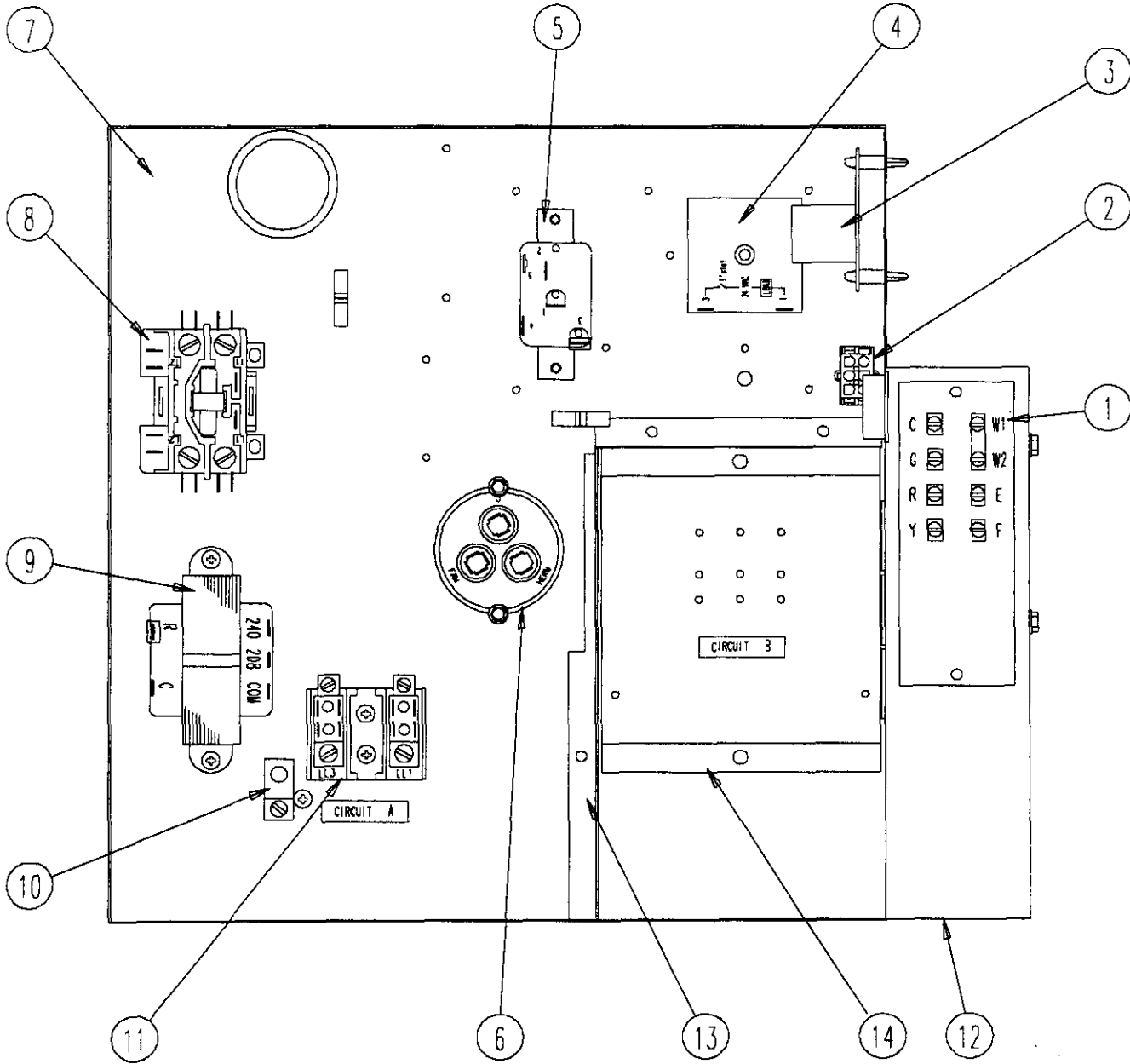


SEXP-283

# FUNCTIONAL COMPONENTS

Drawing No.	Part No.	Description	P1124A1	P1124A1-D	P1130A1	P1130A1-D	P1136A1	P1136A1-B	P1136A1-C	P1136A1-D
1	5051-035	Condenser Coil	X	X	X	X				
1	5051-050	Condenser Coil					X	X	X	X
2	5151-034	Fan Blade	X	X						
2	5151-004	Fan Blade			X	X	X	X	X	X
3	8200-001	Motor Mount	X	X	X	X	X	X	X	X
4	8103-014	Motor							X	
4	8103-016	Motor	X	X						
4	8103-019	Motor			X	X	X	X		X
5	8000-116	Compressor	X							
5	8000-117	Compressor			X					
5	8000-115	Compressor					X			
5	8000-163	Compressor						X		
5	8000-164	Compressor							X	
5	8000-169	Compressor		X						
5	8000-173	Compressor				X				
5	8000-184	Compressor								X
6	800-0049	Capillary Tube Assembly	X	X	X	X				
6	800-0159	Capillary Tube Assembly					X	X	X	X
7	5060-037	Evaporator Coil	X	X	X	X				
7	5060-050	Evaporator Coil					X	X	X	X
8	900-146	Complete Blower Assembly	X	X						
8	900-145	Complete Blower Assembly			X	X	X	X		X
8	900-207	Complete Blower Assembly							X	
9	144-126	Diffuser	X	X	X	X	X	X	X	X
10	5152-005	Blower Wheel			X	X	X	X	X	X
10	5152-065	Blower Wheel	X	X						
11	151-088	Blower Housing	X	X						
11	151-068	Blower Housing			X	X	X	X	X	X
12	104-787	Blower Angles	X	X	X	X	X	X	X	X
13	8200-036	Motor Mount Arms	3	3						
13	8200-034	Motor Mount Arms			3	3	3	3	3	3
14	8105-016	Motor							X	
14	8105-032	Motor	X	X						
14	8105-024	Motor			X	X	X	X		X
15	8552-002	Capacitor 5/370	X	X	X	X	X	X	X	X
16	8200-033	Motor Mount Band	X	X	X	X	X	X	X	X

# CONTROL PANEL



SEXP-128

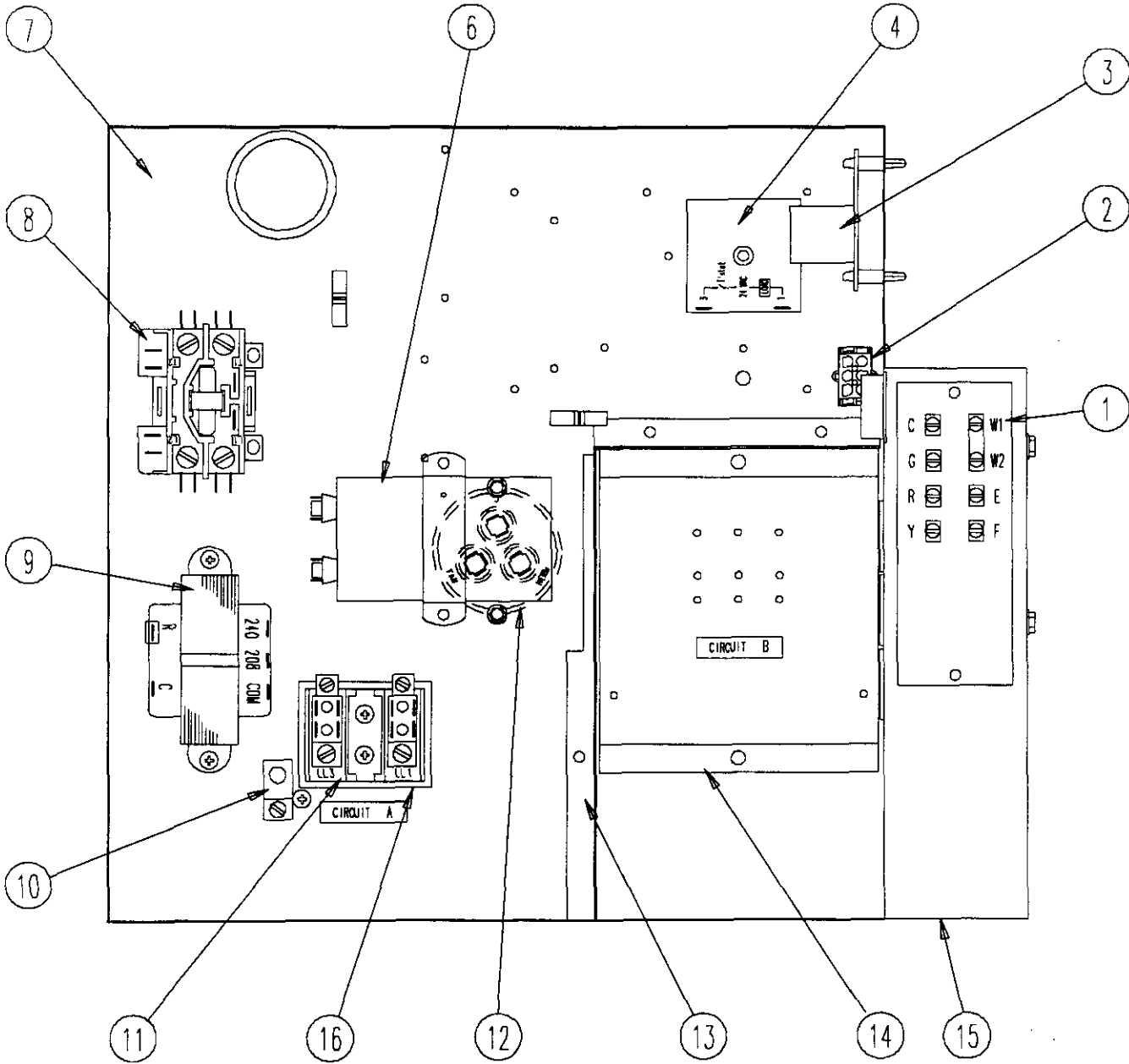


# CONTROL PANEL

Drawing No.	Part No.	Description	P1124A1	P1124A1-D	P1130A1	P1136A1	P1130A1-D
1	8607-018	Terminal Strip	X	X	X	X	X
2	3000-988	Wire Assembly			X	X	X
2	3000-1027	Wire Assembly	X	X			
3	8201-056	Blower Relay	X	X	X	X	X
4	8201-050	Time Delay Relay	X	X	X	X	X
5	8201-034	Impedance Lockout Relay	X	X	X	X	X
6	8552-048	Capacitor 35/5 – 370			X		X
6	8552-049	Capacitor 35/5 – 440				X	
6	8552-047	Capacitor 30/5 – 370	X	X			
7	516-147	Control Panel	X	X	X	X	X
8	8401-007	Contactors	X	X	X	X	X
9	8407-034	Transformer	X	X	X	X	X
10	8611-006	Ground Terminal	X	X	X	X	X
11	8407-013	Terminal Block	X	X	X	X	X
12	116-148	Low Voltage Box	X	X	X	X	X
13	116-149	Control Panel Partition	X	X	X	X	X
14	116-150	Terminal Block Support	X	X	X	X	X
NS	4063-127	Wiring Diagram			X	X	X
NS	4063-126	Wiring Diagram	X	X			

NS Not Shown

# CONTROL PANEL



SEXP-221

# CONTROL PANEL

Drawing No.	Part No.	Description	P1136A1-B	P1136A1-C	P1136A1-D
1	8607-018	Terminal Strip	X	X	X
2	3000-988	Wire Assembly	X	X	X
3	8201-056	Solid State Blower Control	X		X
3	8201-032	Blower Relay		X	
4	8201-050	Time Delay Relay	X	X	X
6	8552-002	Capacitor 5 – 370	X	X	
7	516-147	Control Panel	X	X	X
8	8401-002	Contactora	X	X	
8	8401-007	Contactora			X
9	8407-034	Transformer	X		X
9	8407-042	Transformer		X	
10	8611-006	Ground Terminal	X	X	X
11	8607-013	Terminal Block			X
11	8607-014	Terminal Block	X	X	
12	8552-063	Capacitor 50/5 – 370			X
13	116-149	Control Panel Partition	X	X	X
14	116-150	Terminal Block Support	X	X	X
15	116-148	Low Voltage Box	X	X	X
16	8607-015	Phenolic Insulator		X	
NS	4063-125	Wiring Diagram			X
NS	4063-213	Wiring Diagram	X		
NS	4063-311	Wiring Diagram		X	

NS Not Shown

