



YAMAHA

ELECTRIC GUITAR

エレクトリックギター

OWNER'S MANUAL

オーナーズマニュアル

SGV SERIES

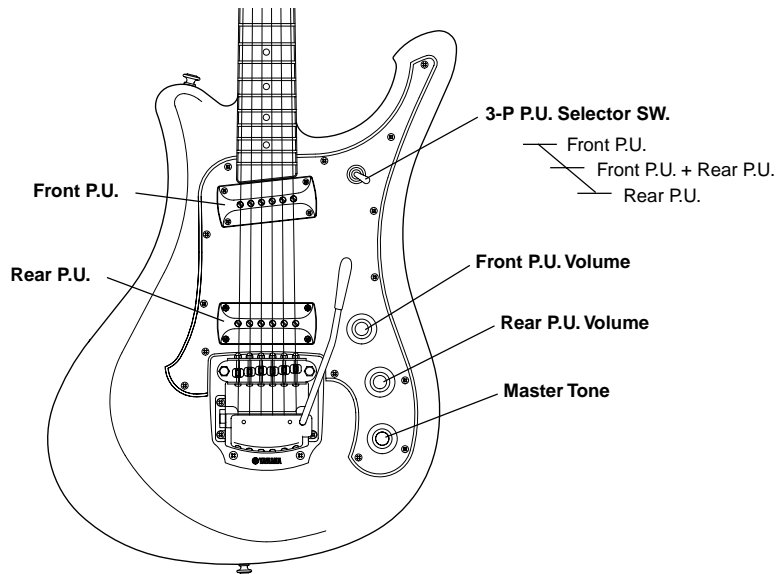
SGV シリーズ

*Congratulations on your purchase of the YAMAHA electric guitar.
With reasonable care, your YAMAHA electric guitar will age gracefully and provide many years of superlative musical service.*

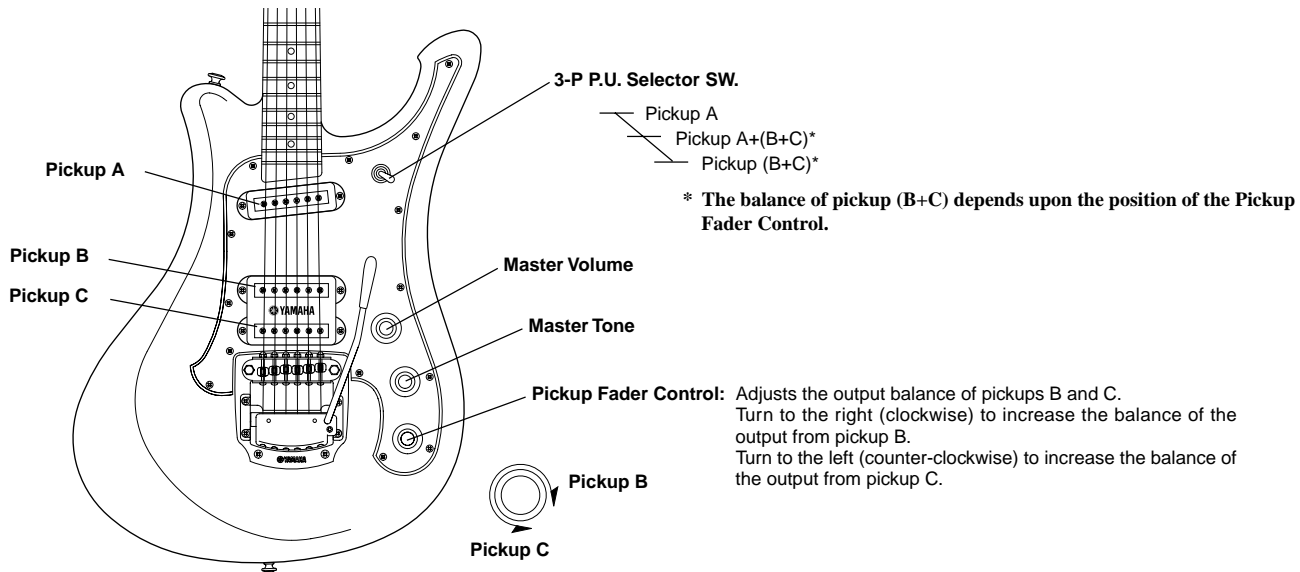
CARE AND MAINTENANCE

- * When connecting or disconnecting cables, turn off the amplifier and other equipment or reduce the volume.
- * After playing, wipe the entire guitar down, including strings, with a good polishing cloth. This will remove corrosive skin oils and acids, and protect the plating, finish, and strings.
- * Avoid exposing the guitar to direct sunlight and extremes of heat and humidity.

SGV800 Nomenclature



SGV700/SGV300 Nomenclature



Truss Rod Adjustment Procedure

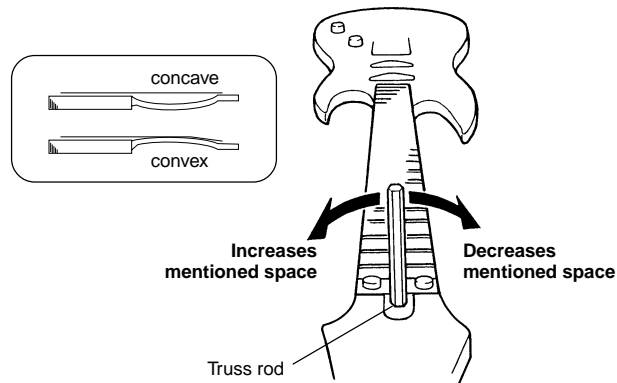
Make sure guitar is tuned to pitch before making adjustments to the truss rod.

The curvature of the neck should be slightly concave. The practice of sighting down the neck to see whether there is a bow or bend is unreliable, and even experienced bass technicians can be misled by optical illusions. A better method to check for proper curvature is as follows:

- Step 1:** Tune strings to proper pitch, and depress the strings by placing a capo directly behind the first fret. The capo should be just tight enough to effectively create the tone of F when plucking the E string.
- Step 2:** Depress the E string directly behind the 16th fret with your left hand index finger. The E string depressed at opposite ends of the fingerboard acts as a straightedge, allowing measurement of the space between the fret tops and the E string.
- Step 3:** Measure the mentioned space at the 7th fret by inserting the appropriate feeler gauge blade (right hand). If the mentioned space is less than 0.15mm, or greater than 0.40mm insert the hexagonal truss rod wrench into the truss rod nut and turn in increments of a 1/4 turn or less towards the appropriate direction as shown in the drawing.

NOTE

Unless you have experience with truss rods, we suggest that you entrust this adjustment to your dealer.



Adjusting String Height (Action)

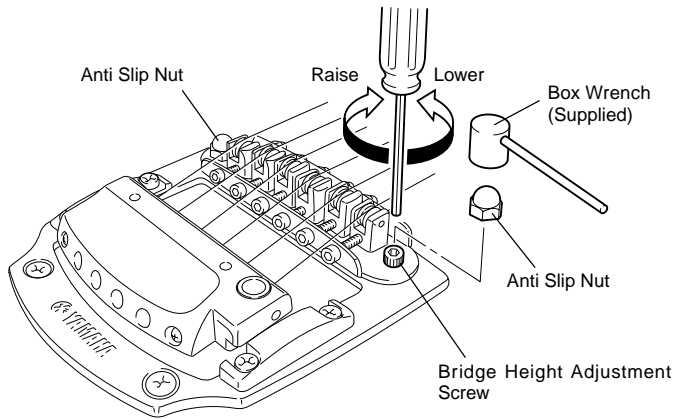
String height is indicated by the space between the strings and frets.

Changing this setting will change the manner in which the guitar plays.

If the string height is too high, it will be difficult to play, and if the string height is too low, it will cause fret buzz.

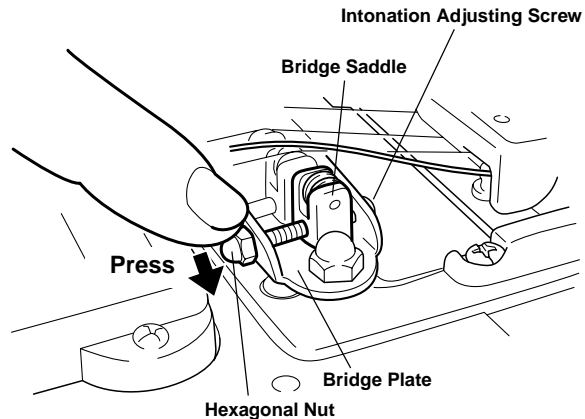
1. Loosen the strings.
2. Use the supplied box wrench to remove the anti slip nut on the 1st string and 6th string ends of the bridge.
3. Use the supplied Allen wrench to turn the height adjustment screw and adjust the height. Turn both screws alternately and adjust the height little by little. Please adjust the space between the 22nd fret and the strings to the following numerical values.
 - 1st string: 2.0 +/- 0.2mm
 - 6th string: 2.5 +/- 0.2mm
4. Once adjustment is complete, attach the anti slip nuts and tighten firmly.

Make sure that the truss rod (the curvature of the neck) has been adjusted correctly before adjusting the string height. Changing string height will affect string pitch so please tune the strings after adjustment is complete.



Bridge Saddle of SGV 300/800 Electric Guitars

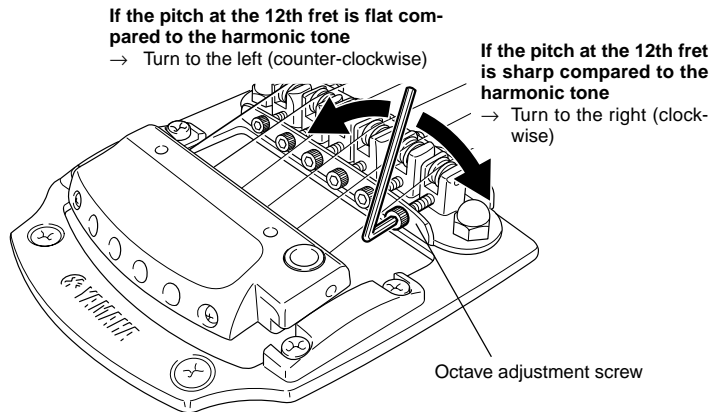
The bridge saddles may lift off of the bridge plate from intonation adjustments or vibration while transporting. To adjust the saddles, loosen the strings and press the hexagonal nut down towards the bridge plate to set bridge saddles in their original position.



Setting the Intonation

Adjust the intonation by comparing the note fingered at the 12th fret with the harmonic tone at the 12th fret. Tune so that both pitches are the same. It is recommended that you use good quality strobe tuning scope for this function.

- * Please use the supplied Allen wrench to adjust the octave adjustment screw.
- **If the pitch of the note played on the 12th fret is sharp compared to the harmonic tone**
 - Turn the octave adjustment screw to the right (clockwise).
(Move the saddle further away from the neck.)
- **If the pitch of the note played on the 12th fret is flat compared to the harmonic tone**
 - Turn the octave adjustment screw to the left (counter-clockwise).
(Move the saddle closer to the neck)

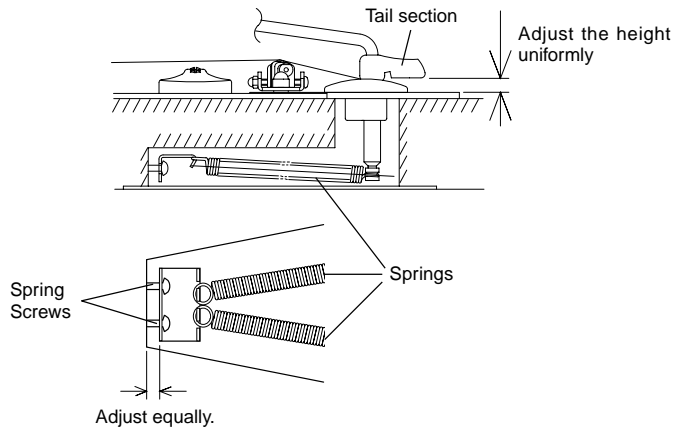


Angle Adjustment for the Tremolo Unit

Adjust the spring screw, located on the back side of the guitar body, so that the tail piece section of the tremolo unit is parallel to the body.

If the string gauge or the position of the spring hook is changed, adjustment of the tremolo unit's angle (adjustment of the amount of floating) will be necessary.

1. Remove the four (4) cover fixing screws located on the back side of the guitar body and remove the cover.
2. Adjust the two (2) spring screws uniformly, so as to maintain good balance, and adjust so that the tail section is parallel.
 - If the tail section is raised
→ Turn the spring screw to the right (clockwise).
 - If the tail section is lowered
→ Turn the spring screw to the left (counter-clockwise).
3. Adjusting will affect string pitch so please check and tune the strings after adjusting the tailpiece.



Adjust the Arm Tension

Use the tension adjustment screw, located on the side of the tail piece, to adjust the tension that holds the tremolo arm in place.

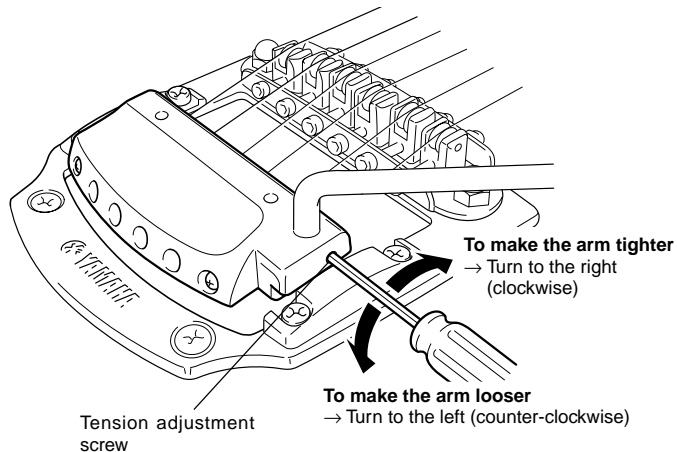
Insert the supplied Allen wrench into the tension adjustment screw on the side of the tail piece, and adjust the tension that holds the arm in place.

- **To make the arm tighter.**

- Turn the Allen wrench to the right (clockwise).

- **To make the arm looser**

- Turn the Allen wrench to the left (counter-clockwise).



SERVICE

If your guitar should need any parts or service, or if you need any information, including the address of your nearest YAMAHA dealer, contact:

YAMAHA CORPORATION OF AMERICA Guitar Service Department

6600 Orangethorpe Avenue
Buena Park, Calif. 90620 Calif. U.S.A.
TEL: 714 522 9433

YAMAHA EUROPA G.M.B.H.

2084 Rellingen, b. Hamburg
Siemensstr. 22/34 Germany
TEL: 04101 30 30

YAMAHA-KEMBLE MUSIC (U.K.) LTD.

Sherbourne Drive, Tilbrook,
Milton Keynes MK7 8BL, England
TEL: 0908-366 700

YAMAHA MUSIQUE FRANCE S.A.

Parc D'activités De Paris Est
Rue Ambroise Croizat
77183 Croissy Beaubourg France
TEL: 64 61 4000

YAMAHA CANADA MUSIC LTD.

135 Milner Avenue Scarborough
Ontario MIS 3R1 Canada
TEL: 416 298 1311

YAMAHA DE MEXICO S.A. DE C.V.

Apdo. Postal No.28-207
Mexico 1, D.F., Mexico
TEL: 686 0033

YAMAHA MUSIC LATIN AMERICA CORP.

6303 Blue Lagoon Drive, Suite 330
Miami Florida 33126 U.S.A.
TEL: 305 264 2581

YAMAHA SCANDINAVIA A.B.

Box 300 53 400 43 Göteborg, Sweden
TEL: 031 496090

YAMAHA-HAZEN ELECTRONICA MUSICAL S.A.

Jorge Juan 30, 28001 Madrid Spain
TEL: 593 2554

YAMAHA MUSICA ITALIA S.P.A.

Viale Italia 88, 20020 Lainate (Milano)
Italia
TEL: 2 93577 1

YAMAHA MUSIC AUSTRALIA PTY., LTD.

17-33 Market Street
South Melbourne, Vic. 3205 Australia
TEL: 699 2388



QC55690 R1 

YAMAHA CORPORATION
P.O.Box 1, Hamamatsu, Japan

0004 Printed in Taiwan