

AA35 Atlas Sound Mixer Amplifier

Specifications are subject to change without notice



Atlas Sound

AtlasSound.com

1601 JACK MCKAY BOULEVARD ENNIS, TEXAS 75119 U.S.A. • TELEPHONE: (800) 876-3333 • FAX: (800) 765-3435

©2006 ATLAS SOUND LP

Printed in U.S.A.

000106

ATS002171 RevA 01/06

PP



TABLE OF CONTENTS

Safety Instructions...2
Introduction, Features, and Applications...3
Safety Precautions...4
Front Panel Description...6
Rear Panel Description...7
Quick Start Examples...12
Wiring the AA35...16
Rack Mounting Options...17
Signal Path Block...18
Input Transformer Installation...19
Specifications...20
Notes...21
Warranty...24

SAFETY INSTRUCTIONS

Please Read Carefully Before Installing or Operating This Product

- Read instructions fully.
• Pay attention to any and all warnings.
• Connect this amplifier only to the correct operating voltage.
• Do not attempt to service this unit. Only a qualified service technician should open this unit for servicing.
• Warning - To reduce the risk of fire or electric shock, do not expose this appliance to rain or moisture.
• Do not install this device in dusty or humid locations, or in direct exposure to sunlight. In addition, locations that have steam or sooty conditions are not to be used, as this may result in fire or electric shock.
• Protect the power cord from damage, pinching, or being walked on, in particular, the plug and the cord attachment to the amplifier.
• Do not defeat the polarized or grounding feature of the power cord plug. If the plug will not fit in your outlet, consult a licensed electrician.
• Use only the specified accessories and attachments specified in this manual.
• Disconnect the power cord during electrical storms, or when the product will be unused for long periods.
• Have servicing done only by qualified personnel. Servicing will be required when the product is damaged in any way, when the power cord is damaged, when liquid has been spilled or objects have fallen into the device. Servicing will also be required when this device has been exposed to rain, does not operate normally, or has been dropped.

Specifications are subject to change without notice



AtlasSound.com



The lightning flash with arrowhead within a triangle is intended to tell the user that parts inside the product are a risk of electric shock to persons.



The exclamation point within a triangle is intended to tell the user that important operating and servicing instructions are in the papers with the appliance.

### INTRODUCTION

Congratulations and thank you for purchasing the Atlas Sound AA35 mixer amplifier. This new and innovative professional grade product has been designed from the ground up to include the important features that professional installation personnel require to meet or exceed their customer's expectations. Small and compact, and engineered for reliability, the Atlas Sound AA35 will provide years of service and flexibility in today's background music and paging applications.

### FEATURES

- 35W into 25/70.7V and 8Ω loads  
Built-in soft knee limiter
- One balanced mic/line/tel input w/ phantom power
- 2 unbalanced, summing line level inputs
- 2 zone outputs
- 2 unbalanced line outputs
- Preamp out/power amp in loop for external processors
- Switchable low cut filter bypasses bass control
- Variable mute sensitivity control for input 1
- Contact closure mute terminals
- Rear mounted dip switch allows mute receive for inputs two and three
- Zone 2 outputs can receive signals from inputs one, two, or three

### APPLICATIONS

The Atlas Sound AA35 is the perfect choice for distributed business paging and background music (BGM) systems, small to medium speech privacy systems and in applications where music on hold (MOH) plus paging is required.

*Specifications are subject to change without notice*



AtlasSound.com



### SAFETY PRECAUTIONS

- Read the instructions very carefully before using this product.
- Observe the instructions in this manual as conventions of safety; symbols and messages regarded as important precautions are included.
- Retain this manual for future reference.

### Message Conventions and Safety Symbols

Before installing and operating this product, read this manual so you are fully aware of the potential safety hazards and understand the safety symbols and messages. The safety symbols and messages shown below are used in this manual to prevent bodily injury and property damage from mishandling.



#### WARNING

Indicates a potentially hazardous situation which, if mishandled, could result in death or serious injury.



#### CAUTION

Indicates a potentially hazardous situation which, if mishandled, could result in moderate or minor personal injury, and/or property damage.



#### WARNING WHEN INSTALLING THE PRODUCT

- Do not expose the product to rain or in an environment where it may be exposed to water or other liquids, which may result in fire or electric shock.
- Operate the product only with the voltage specified on the unit. Fire and/or electric shock may result if a higher voltage is used.
- Do not modify, kink, or cut the power cord. Do not place the power cord in close proximity to heaters and do not place heavy objects on the power cord, including the product itself, doing so may result in fire or electric shock.
- Replace the protective cover over the speaker terminals after installation. Do not touch the 70V speaker terminals as electric shock may result.
- Ensure that the safety ground terminal is connected to a proper ground. Never connect the ground to a gas pipe as a catastrophic disaster may result.
- Be sure the installation of the product is stable, avoid slanted surfaces as the product may fall and cause injury or property damage.



#### WARNING WHEN THE DEVICE IS IN USE

- To prevent electric shock, do not remove the product cover as there are high voltage components inside. Refer all servicing to Atlas Sound.
- Should any of the following irregularities occur during use, immediately switch off the power, disconnect the power cord from the AC outlet and contact Atlas Sound. Do not attempt to continue operation with the product as this may cause fire or electric shock:
  - Smoke or strange smell coming from the unit.
  - If the product falls or the case is damaged.

*Specifications are subject to change without notice*



AtlasSound.com



- If water or any metallic objects falls into the product.
- If the power supply cord is damaged in any way.
- If the unit is malfunctioning.
- Do not insert or drop metallic objects or flammable materials into the ventilation holes of the product's cover, as this may result in electric shock or fire.
- Do not place any containers with liquid or metallic objects on the top of the product. If any liquid spills into the unit, fire or electric shock may result.
- Never operate this product or touch the power supply cord during an electrical storm, electric shock may result.
- Never exceed the wattage on the product when connecting equipment. Fire and/or property damage may result.



**CAUTION WHEN INSTALLING THE PRODUCT**

- Plugging in or unplugging the power cord with wet hands may result in electric shock.
- Never move the unit with the power cord plugged into the wall, as damage to the power cord may result. When unplugging the cord from the wall, grasp the plug, **NOT** the cord.
- Never block the panel vents in the product's cover. Heat buildup may result inside the unit and fire may result.
- Never install this product in humid or dusty locations, nor in direct sunlight, near sources of heat, or in areas where sooty smoke or steam are present. Fire and electric shock may result.



**CAUTION WHEN THE PRODUCT IS IN USE**

- When powering the product up for the first time, ensure that the volume controls are turned down. Unexpected high sound pressure levels may be present at the speakers and result in hearing loss.
- Never place heavy objects on the product, causing it to fall and/or break, resulting in personal injury and property damage. In addition, the product itself may fall and cause injury and property damage.
- Never operate the product for extended periods with the sound in a distorted condition. This is an indication of a malfunction, which may result in excessive heat being generated and causing a fire.
- Contact Atlas Sound for instructions on cleaning the inside of the unit. Large accumulations of dust inside the unit may result in heat buildup and fire.
- Ensure that the power supply plug is securely plugged into the wall outlet. Never allow dust to accumulate on the power plug or inside the wall outlet.
- When cleaning the unit or the unit is not to be operated for an extended time period, unplug the power cord from the wall.

*Specifications are subject to change without notice*



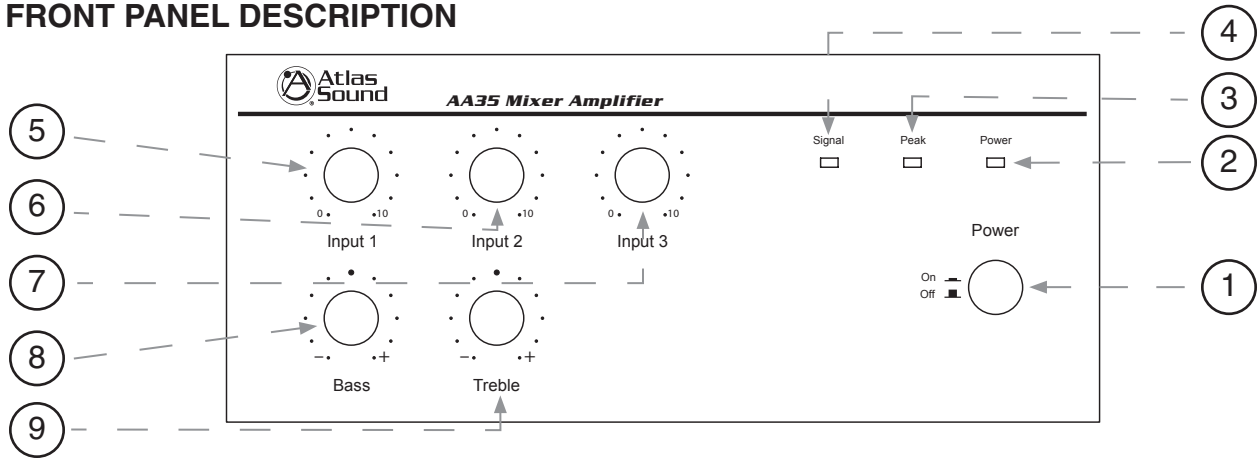
**Atlas  
Sound**

**AtlasSound.com**

1601 JACK MCKAY BOULEVARD ENNIS, TEXAS 75119 U.S.A. • TELEPHONE: (800) 876-3333 • FAX: (800) 765-3435  
©2006 ATLAS SOUND LP Printed in U.S.A. 000106 ATSO02171 RevA 01/06 PP



FRONT PANEL DESCRIPTION



**1. Power Switch**

This push on/off switch supplies power to the AA35 mixer amplifier.

**2. Power LED**

This LED illuminates when the power switch is turned on.

**3. Peak LED Indicator**

The PEAK LED will illuminate when the AA35 is in a clipping condition, caused by excessively high input levels or a GAIN control is turned up too high. An occasional flash is OK. Check that the proper signal level is being fed into the inputs and/or turn the input gain down until the LED is no longer illuminated.

**4. Signal LED**

When the signal LED illuminates, this indicates that input signals connected to the amplifier are capable of driving the AA35 to full power.

**5. Input 1 Gain**

Input 1 rotary control varies the amplitude of the signal fed into the amplifier. Turn clockwise to increase and counter-clockwise to decrease the signal level.

**6. Input 2 Gain**

Input 2 rotary control varies the amplitude of the signal fed into the amplifier. Turn clockwise to increase and counter-clockwise to decrease the signal level.

**7. Input 3 Gain**

Input 3 rotary control varies the amplitude of the signal fed into the amplifier. Turn clockwise to increase and counter-clockwise to decrease the signal level.

**8. Bass Control**

Normally set at the 12:00 position, rotating clockwise will increase (boost) bass frequencies to a maximum of 10dB at 100Hz. Rotating counter-clockwise from the 12:00 position will decrease (cut) bass frequencies to a maximum of 10dB at 100Hz.

*Specifications are subject to change without notice*



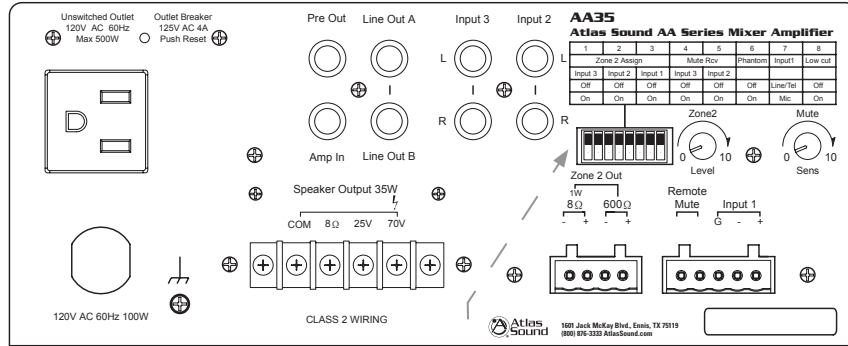
AtlasSound.com



9. Treble Control

Normally set at the 12:00 position, rotating clockwise will increase (boost) treble frequencies by 10dB at 10kHz. Rotating counter-clockwise from the 12:00 position will decrease (cut) treble frequencies by 10dB at 10kHz.

REAR PANEL DESCRIPTION



10

10. Multi Function Dipswitch

Understanding the functionality of the dipswitches is key to maximizing the versatility of the AA35. When a switch is in the up position, the function is "OFF"; when a switch is in the down position, the function is "ON".

1	2	3	4	5	6	7	8
Zone 2 Assign			Mute Rcv		Phantom	Input1	Low cut
Input 3	Input 2	Input 1	Input 3	Input 2			
Off	Off	Off	Off	Off	Off	Line/Tel	Off
On	On	On	On	On	On	Mic	On

**SWITCH 1- Zone 2 Assign** - When "ON", will route signals from Input 3 to the Zone 2 Output terminals.

**SWITCH 2- Zone 2 Assign** - When "ON", will route signals from Input 2 to the Zone 2 Output terminals.

**SWITCH 3- Zone 2 Assign** - When "ON", will route signals from Input 1 to the Zone 2 Output terminals.

**SWITCH 4 - Mute Receive** - When "ON", Input 3 signals will be muted if a signal is present on Input 1 (Refer to Mute Sensitivity Control, number 16 on page 9), or if a contact closure is present on the remote mute terminals (Refer to Remote Mute Connector, number 11(B) on page 8).

**SWITCH 5 - Mute Receive** - When "ON", Input 2 signals will be muted upon a signal present on Input 1 (Refer to Mute Sensitivity Control, number 16 on page 9), or if a contact closure is present on the remote mute terminals (Refer to Remote Mute Connector, number 11(B) on page 8).

Specifications are subject to change without notice



AtlasSound.com

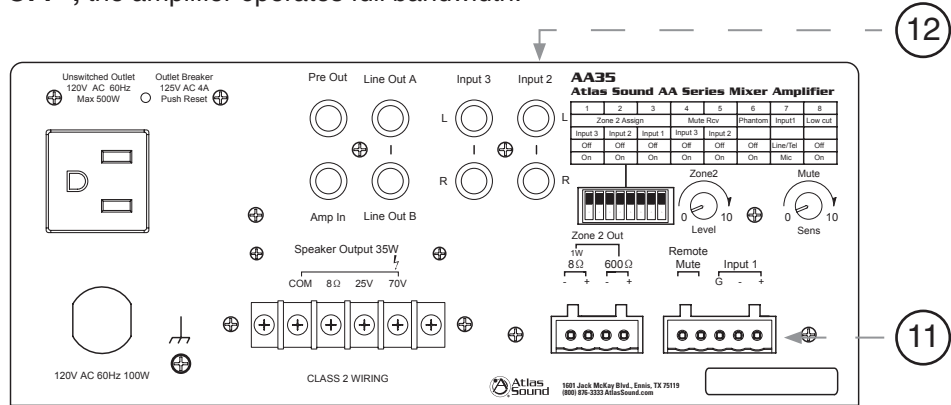


1	2	3	4	5	6	7	8
Zone 2 Assign			Mute Rcv		Phantom	Input1	Low cut
Input 3	Input 2	Input 1	Input 3	Input 2			
Off	Off	Off	Off	Off	Off	Line/Tel	Off
On	On	On	On	On	On	Mic	On

**SWITCH 6 - Phantom** - When "ON", applies Phantom Power 24VDC to Input 1 terminals for condenser type microphones. Note: Only use this feature if you are using condenser microphones, otherwise leave in the "OFF" position. This only applies when switch 7 is set to "mic".

**SWITCH 7 - Input 1** - When in the "MIC" position, Input 1 will accept microphone level signals; when in the "Line/Tel" position, Input 1 will accept line level or telephone signals.

**SWITCH 8 - Low Cut Filter** - When in the "ON" position, frequencies below 400Hz are attenuated at the rate of 6dB per octave. Note: The rotary bass control is bypassed when the LOW CUT filter is on. We suggest that when paging horns are connected to the AA35, engage the LOW CUT filter to prevent the horns from operating below their cutoff frequency. When "OFF", the amplifier operates full bandwidth.



**11. (A) Input 1**

Balanced mic or line level signals connect to the (+), (—), and (G) terminals. Refer to the chart at the top of the page for the following setting. Dipswitch number 7, labeled Input 1 must be set to the proper position for mic or line level. If you are connecting an unbalanced line level input, tie (short) the (G) and (—) terminals together. If transformer isolation is required for input 1, contact Atlas Sound for details.

**(B) Remote Mute Connector**

Shorting the Remote Mute terminals, (G) to (M), will mute inputs 2 and/or 3, depending on how their dipswitch settings are set for switch positions 4 and 5 labeled "Mute Rec"/"Input 2" & "Input 3". In the "ON" position, the corresponding channel will be muted when terminals (G) and (M) are shorted together. This connection is usually done via remote switch on a microphone.

**12. Input 2**

Input 2 consists of stereo summing inputs, suitable for connection to the output of CD/DVD players, etc.

*Specifications are subject to change without notice*



AtlasSound.com

1601 JACK MCKAY BOULEVARD ENNIS, TEXAS 75119 U.S.A. • TELEPHONE: (800) 876-3333 • FAX: (800) 765-3435

©2006 ATLAS SOUND LP

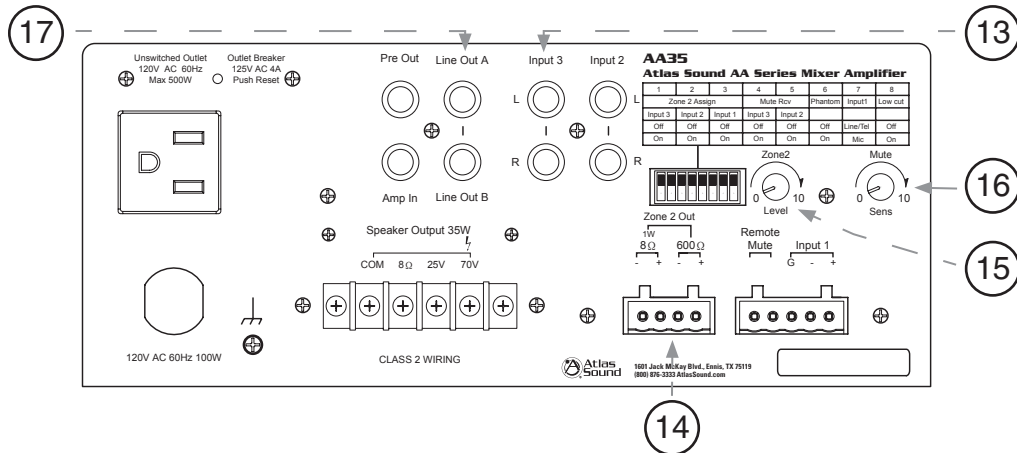
Printed in U.S.A.

000106

ATS002171 RevA 01/06

PP





**13. Input 3**

Input 3 consists of stereo summing inputs, suitable for connection to the output of CD/DVD players, etc.

**14. Zone 2 Output Connector**

Use the 1W 8Ω terminals for connection to an external speaker. The 600Ω 1.5V output is typically connected to a PBX music on hold port, also known as MOH.

**15. Zone 2 Output Level Control**

This rotary control will vary the signal level at the Zone 2 output terminals. Fully counter-clockwise (0) is off, fully clockwise (10) is the maximum output level. The Zone 2 level control is PRE Inputs 1, 2, and 3 volume controls.

**16. Mute Sensitivity Control**

VOX Mute Sensitivity Control adjusts how sensitive the mute send circuitry on Input 1 reacts. Setting the control fully counter-clockwise will lower the sensitivity, where a higher amplitude signal will be required at Input 1 to trigger the mute send circuits. Fully clockwise will raise the sensitivity of the mute circuits, where a lower amplitude signal will trigger a mute send. Careful calibration of this control may be required to fully utilize the mute circuits capabilities.

**17. Line Out A/B**

Line Out connectors A/B are paralleled jacks and are useful for providing unbalanced line level signal to another amplifier or other external devices. Prior to using this feature one must understand where the internal signal pick up point is so you can decide if it is correct for your application. We suggest you refer to the block diagram of the AA35 to have a complete understanding of the signal flow.

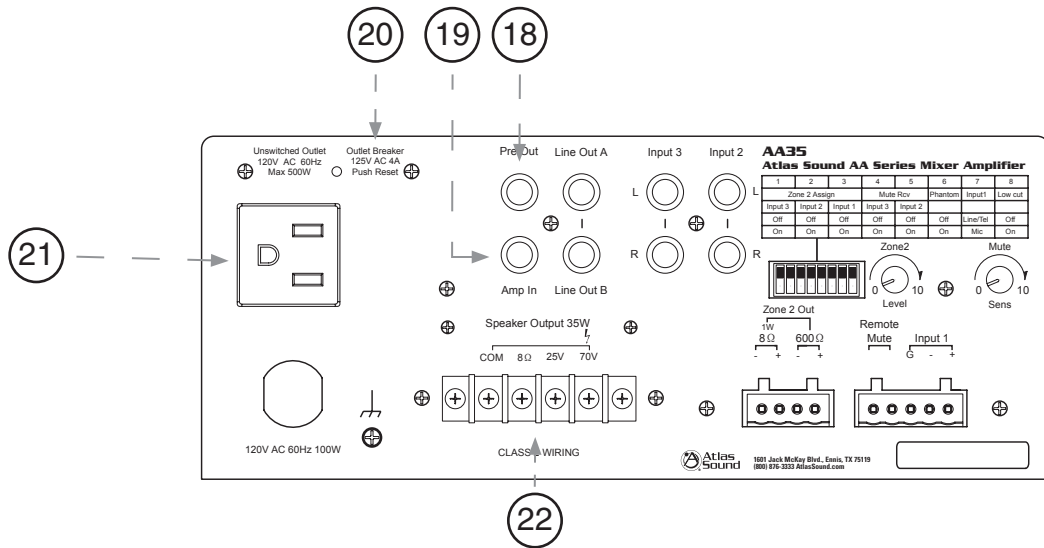
**Note The Following Conditions For Line Out A/B**

- A. **Post** Low Cut Filter and is affected when filter is engaged.
- B. **Post** Tone Controls (meaning the settings for the Bass and Treble controls affect this signal output). Note: Refer to Low Cut Filter Switch for complete understanding of the LCF feature.
- C. **Post** Amp In (meaning any signal that is inserted into the Pre AMP In jack will be present at the Line Out A and B).

Specifications are subject to change without notice



AtlasSound.com



18. Pre Out

The PRE OUT connector allows **Post** tone control and low cut filter (when engaged) functions to be available to drive another power amp or external audio device(s). Used in conjunction with the AMP IN connector, an effects loop can be created by connecting the PRE OUT jack to a device such as an equalizer then back out to the AMP IN connector. See Example 3 in the Setup section of this manual.

19. Amp In

The AMP IN connector is useful for converting the AA35 into a slave amp. When a line level signal is connected to this input, the internal connection between the preamp and internal power amp is broken. Audio signals applied to this connector are post tone control and input level controls.

20. Breaker

The circuit breaker is designed to trip and shut down the AA35 "Unswitched Outlet" upon an over current condition. After correcting the cause of the breaker tripping, reset the breaker by pushing in on the tab.

21. Unswitched Outlet

The unswitched outlet provides power for other devices (Atlas rack work light, etc.) and is live whenever the power cord is plugged into a live outlet. Total power draw must not exceed 500W.

22. Output Terminal Strip

For loudspeaker connections, connect as follows or proceed to the setup section for typical wiring schemes.

**COM** - Speaker common or negative connection

**8Ω** - Connect to direct coupled loudspeakers

**25V** - Connect to transformer coupled, 25V loudspeakers with a total load impedance of no less than 17.8Ω

**70V** - Connect to transformer coupled, 70.7V loudspeakers with a total load impedance of no less than 142.8Ω.

Specifications are subject to change without notice



AtlasSound.com

1601 JACK MCKAY BOULEVARD ENNIS, TEXAS 75119 U.S.A. • TELEPHONE: (800) 876-3333 • FAX: (800) 765-3435

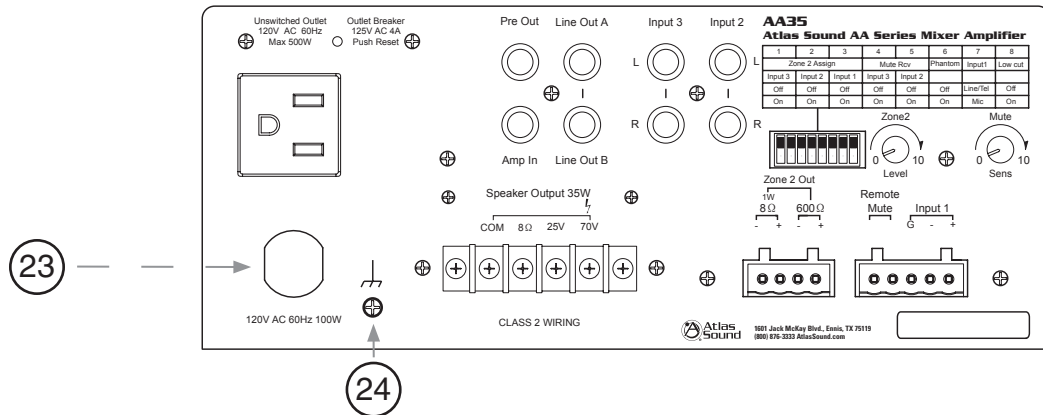
©2006 ATLAS SOUND LP

Printed in U.S.A.

000106

ATS002171 RevA 01/06

PP



**23. Power Cord**

Connect this grounded power cord to 120VAC circuits only. Serious damage may result otherwise.

**24. Ground Terminal**

Connect this terminal to electrical ground as required by local codes.

Specifications are subject to change without notice



**Atlas Sound**

**AtlasSound.com**

1601 JACK MCKAY BOULEVARD ENNIS, TEXAS 75119 U.S.A. • TELEPHONE: (800) 876-3333 • FAX: (800) 765-3435

©2006 ATLAS SOUND LP

Printed in U.S.A.

000106

ATS002171 RevA 01/06

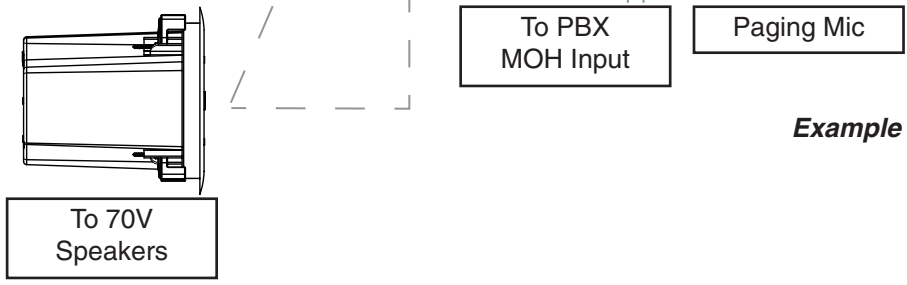
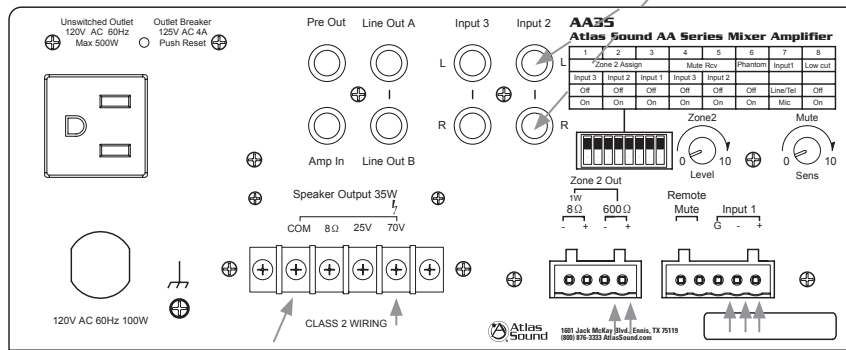
PP



QUICK START EXAMPLES

Setup – Example 1: Typical paging with Background Music

- Connect a paging mic to INPUT 1.
- Set Dipswitch 7 to the "MIC" position.
- Connect a CD player to the RCA jacks on INPUT 2. This is known as BGM or Back Ground Music.
- Set Dipswitch 2 to the "ON" position allowing the signal to be routed to ZONE 2 output (known as the Music On Hold output or MOH).
- Set Dipswitch 5 to the "ON" position. When a page is received via Input 1 the page mic, the background music (BGM) will mute, allowing the page to be clearly heard. Note: The music on hold (MOH) will not be muted.
- The ZONE 2 level control and the MUTE SENS controls are adjusted as needed.
- Connect the speakers to the desired output terminals.



Example 1

Specifications are subject to change without notice



AtlasSound.com

1601 JACK MCKAY BOULEVARD ENNIS, TEXAS 75119 U.S.A. • TELEPHONE: (800) 876-3333 • FAX: (800) 765-3435

©2006 ATLAS SOUND LP

Printed in U.S.A.

000106

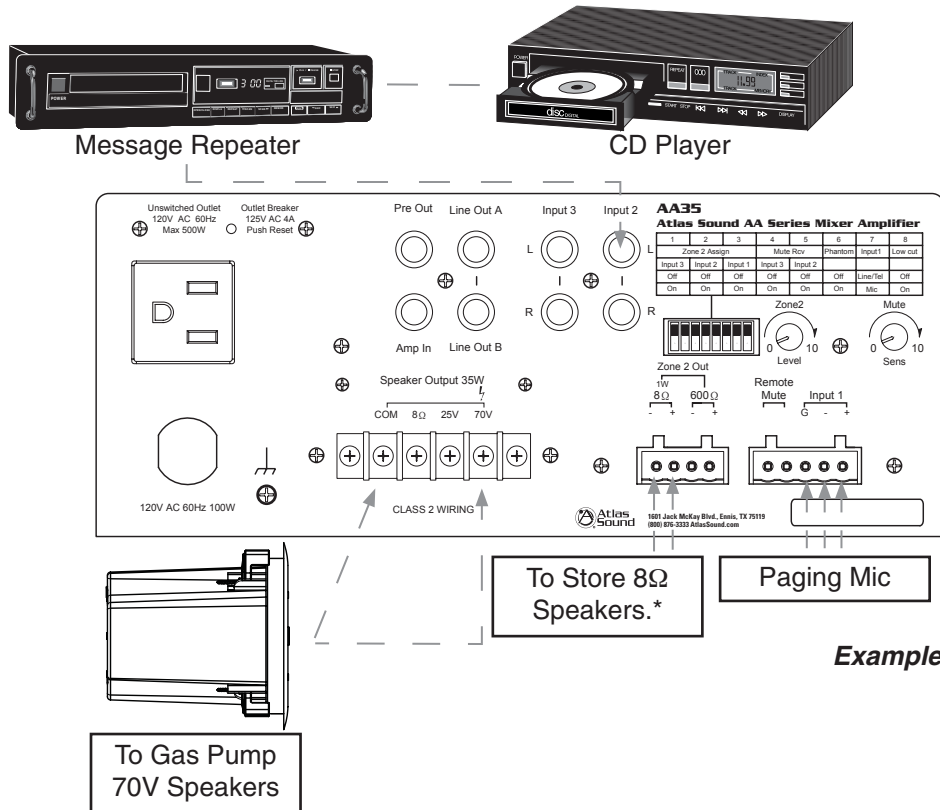
ATS002171 RevA 01/06

PP



Setup – Example 2: Small Convenience Store with Gas Pumps

- Connect the paging mic to INPUT 1.
- Set Dipswitches 3 and 7 to "ON". This sets INPUT 1 to mic level input and routes the paging mic to Zone 2 output.
- Connect a digital message repeater to INPUT 2. Note: It is common to connect a CD player to the Input of a message repeater. Now the BGM is routed through the message repeater to INPUT 2.
- Set Dipswitches 2 and 5 to "ON", allowing the message repeater to be routed to the ZONE 2 output and INPUT 2 will receive a mute command from the paging mic at INPUT 1.
- Connected ZONE 2 1W 8Ω output to 4 series/parallel speakers that are wired in the store to providing paging, BGM and digital messages. Note: Room variations and speaker selection will determine number of speakers required. Set the level via the ZONE 2 Level control.
- Connect the gas pump speaker(s) to the 70V output terminals. This will provide paging, BGM, and digital messages to the outside speakers. Note: When paging from the microphone on INPUT 1 the BGM and digital message signal will be muted on the outside speakers allowing only the page to be present.



Example 2

\* Total loudspeaker impedance to be ≥ 8Ω. This output may also be used with 3M® pump intercom systems. Contact the factory for details.

Specifications are subject to change without notice



AtlasSound.com

1601 JACK MCKAY BOULEVARD ENNIS, TEXAS 75119 U.S.A. • TELEPHONE: (800) 876-3333 • FAX: (800) 765-3435

©2006 ATLAS SOUND LP

Printed in U.S.A.

000106

ATS002171 RevA 01/06

PP



Setup – Example 3: Small Speech Privacy Sound Masking System

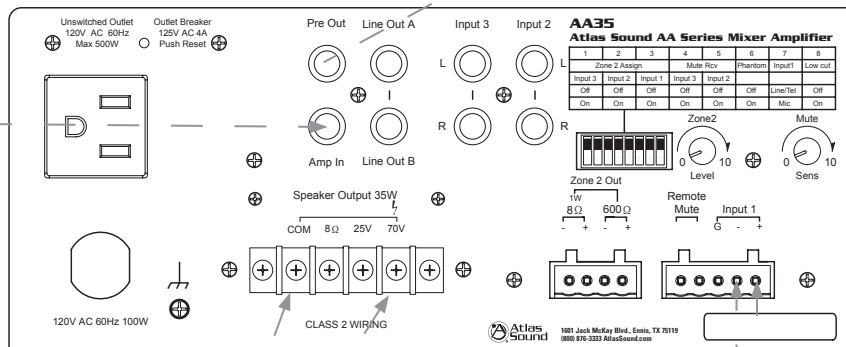
- Connect a Atlas Sound GPN1200B masking generator to INPUT 1.
- Set Dipswitch 7 to Line/Tel position.
- Connect a 1/3 octave graphic equalizer between to the PRE OUT and AMP IN connectors. This is to tune the system.
- Connect Atlas Sound M1000 masking speakers (up to 30) to the 70V output terminals tapped at 1W each.



Atlas Sound GPN1200B Masking Generator



1/3 Octave Graphic EQ



To Atlas Sound M1000 Masking Speakers

Example 3

Specifications are subject to change without notice



Atlas Sound

AtlasSound.com

1601 JACK MCKAY BOULEVARD ENNIS, TEXAS 75119 U.S.A. • TELEPHONE: (800) 876-3333 • FAX: (800) 765-3435

©2006 ATLAS SOUND LP

Printed in U.S.A.

000106

ATS002171 RevA 01/06

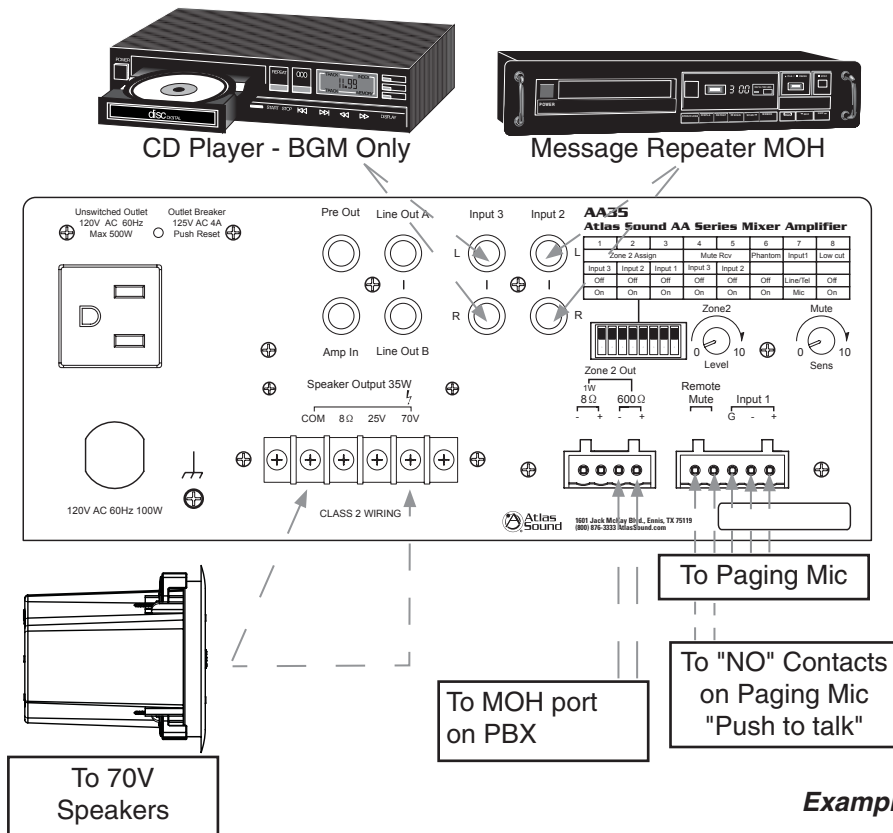
PP



Setup – Example 4: MOH with System BGM and Remote Paging

This example has a separate message repeater routed only to the MOH feature of the customer's phone system. While callers are on hold, they hear only custom promotional messages. When a page is present, the BGM will be muted via remote switch on the mic.

- Connect a digital message repeater to INPUT 2.
- Set Dipswitch 2 to "ON", allowing the message repeater to be routed to the ZONE 2 output. INPUT 2 volume control must be turned all the way down, so the audio only goes out the ZONE 2 output and not to the main system.
- Connect a BGM player to INPUT 3 for system background music.
- Connect a paging mic with a switch to INPUT 1.
- Connect the switch wires from the mic to the "RMT MUTE" terminals. Note: The polarity on the switch to the terminals does not matter.
- Set Dipswitch 7 to the "MIC" position.
- Set Dipswitch 4 to the "ON" position. When a page is received via INPUT 1 and the "RMT MUTE" terminals are shorted, the background music (BGM) will mute, allowing the page to be clearly heard. Note: The music on hold (MOH) will not be muted.
- The Mute Sensitivity control must be set fully counter-clockwise to prevent false muting action.



Example 4

Specifications are subject to change without notice



AtlasSound.com

1601 JACK MCKAY BOULEVARD ENNIS, TEXAS 75119 U.S.A. • TELEPHONE: (800) 876-3333 • FAX: (800) 765-3435

©2006 ATLAS SOUND LP

Printed in U.S.A.

000106

ATS002171 RevA 01/06

PP



### WIRING THE AA35

**Speaker Outputs** - Use 2 conductor unshielded wire of the appropriate gauge. If you are unsure about this, contact Atlas Sound Tech Support at 1-800-876-3333. Make sure you know how many speakers you need and what tap value you intend to use.

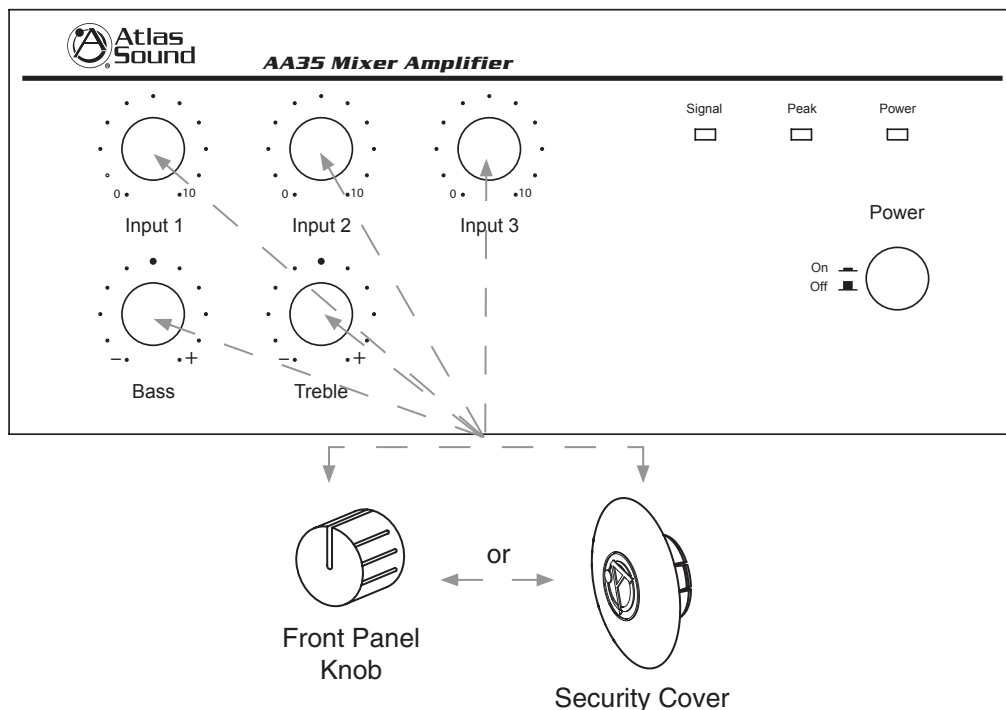
**Mic/Line Input** - Use 2 conductor w/ shield for low level signals of 20-22 gauge is best. Maintain the proper polarity, + to +, - to -, and shield to ground.

**Unbalanced Inputs and Outputs** - Pre-made RCA cables can be purchased from vendors to simplify interconnection to external devices.

**Zone 2 Out** - Use 2 conductor, 20-22 gauge, shielded is best. Terminate the shield at the input to the device if possible.

### SECURITY COVER OPTION

In order to prevent unauthorized operation of the AA35, optional security covers are available which take the place of the front panel knobs. After the AA35 has been installed and is operating as desired, grasp the front panel knobs and pull straight out from the front panel. Replace the knobs with security covers, Atlas part number AAVCC-5, available in quantities of 5.



*Specifications are subject to change without notice*



AtlasSound.com

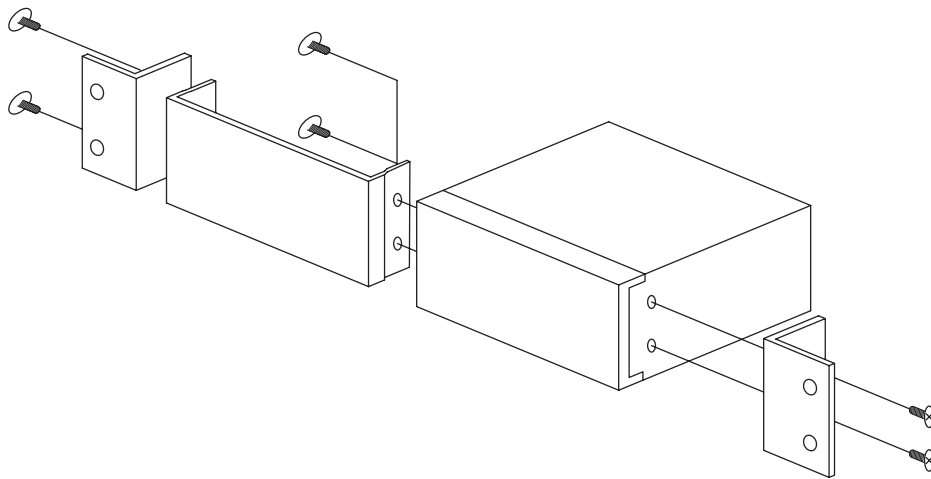
1601 JACK MCKAY BOULEVARD ENNIS, TEXAS 75119 U.S.A. • TELEPHONE: (800) 876-3333 • FAX: (800) 765-3435  
©2006 ATLAS SOUND LP Printed in U.S.A. 000106 AT5002171 RevA 01/06 PP



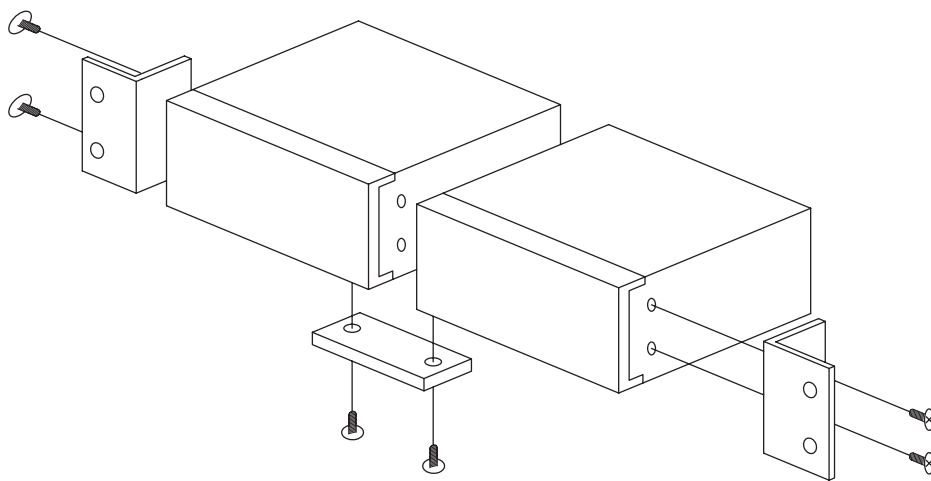


### RACK MOUNTING OPTION

Rack mount ears are available through Atlas Sound for installing the AA35 into equipment racks. If multiple units are being rack mounted, install Atlas Sound 1RU (SVP19-1-052) vented panels between amplifiers, in order to aid cooling.



Single AA35 Rack Kit (p/n AARM35-1)



Double AA35 Rack Kit (p/n AARM35-2)

*Specifications are subject to change without notice*



**Atlas  
Sound**

**AtlasSound.com**

1601 JACK MCKAY BOULEVARD ENNIS, TEXAS 75119 U.S.A. • TELEPHONE: (800) 876-3333 • FAX: (800) 765-3435

©2006 ATLAS SOUND LP

Printed in U.S.A.

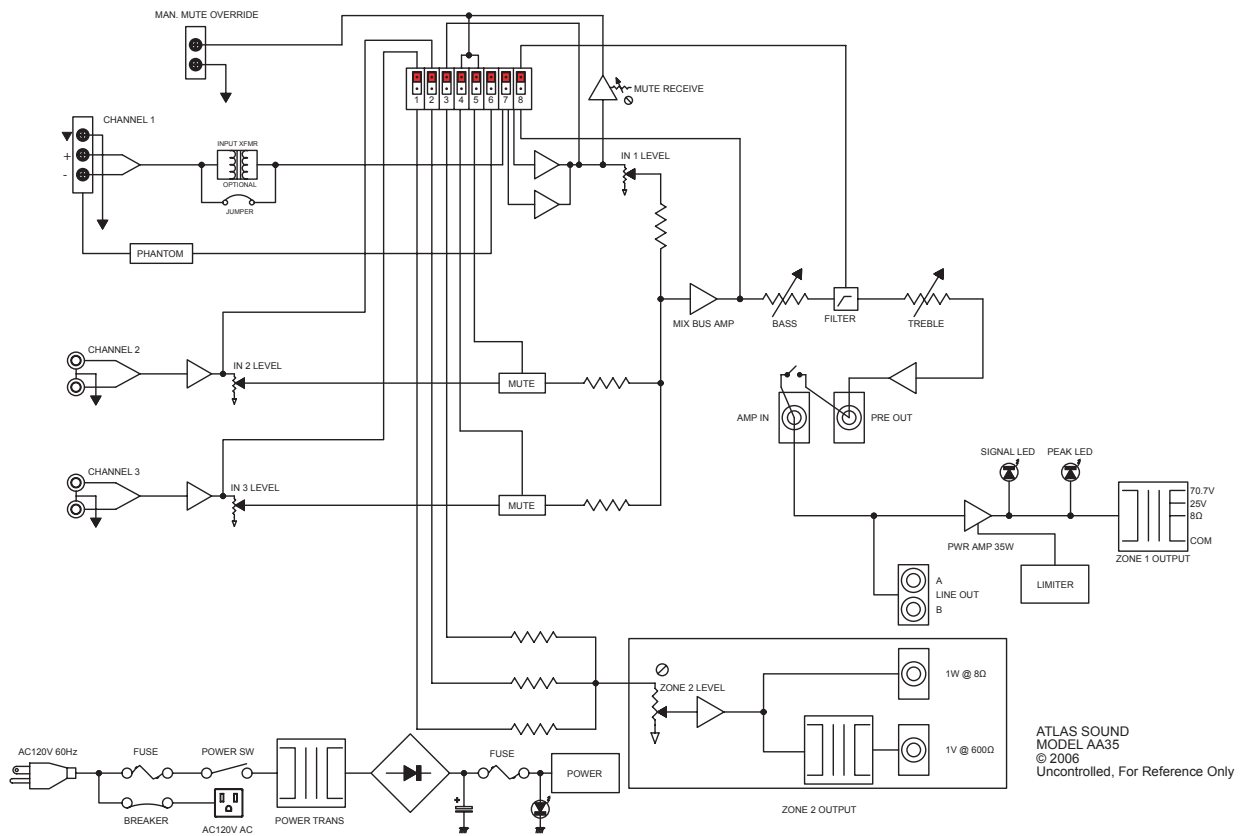
000106

ATS002171 RevA 01/06

PP



SIGNAL PATH BLOCK



Specifications are subject to change without notice



Atlas Sound

AtlasSound.com

1601 JACK MCKAY BOULEVARD ENNIS, TEXAS 75119 U.S.A. • TELEPHONE: (800) 876-3333 • FAX: (800) 765-3435

©2006 ATLAS SOUND LP

Printed in U.S.A.

000106

ATS002171 RevA 01/06

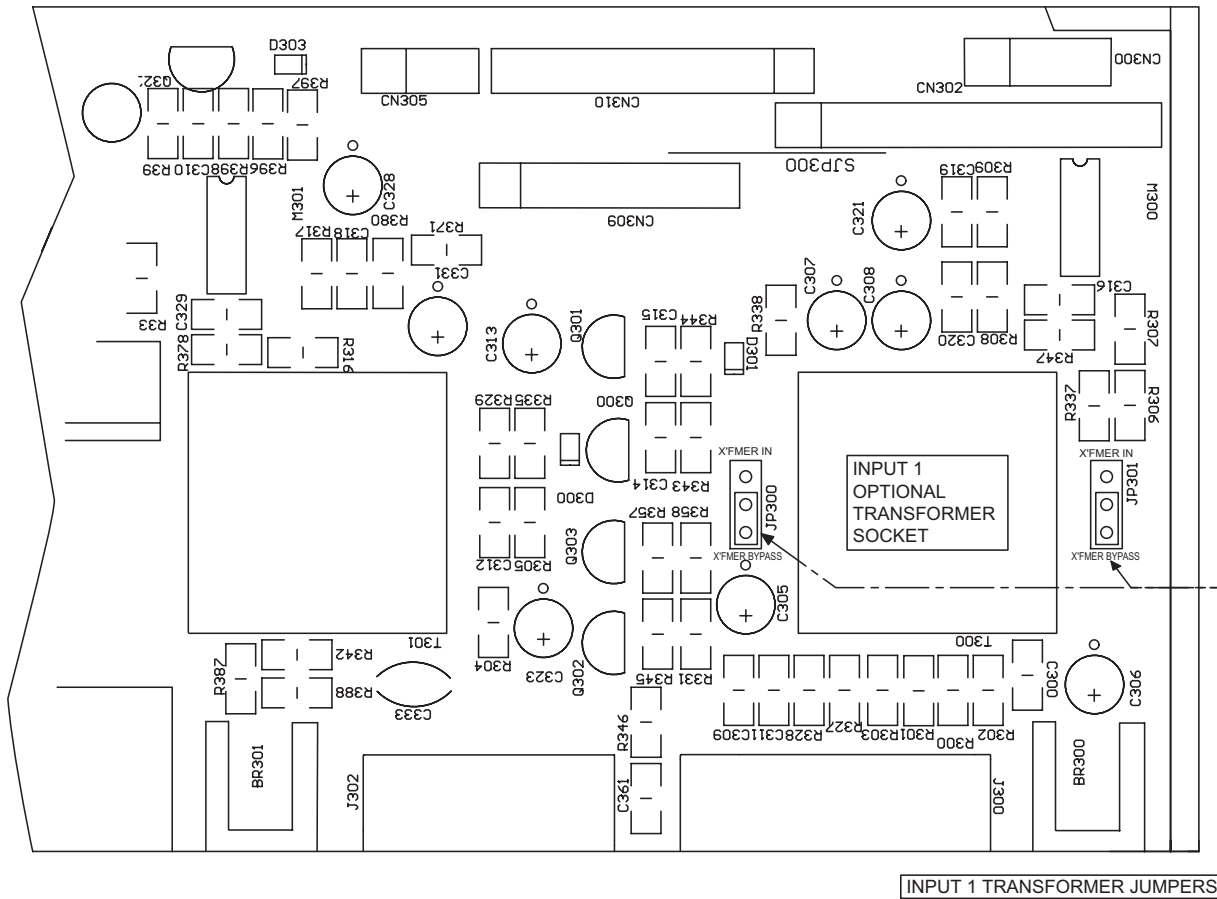
PP



### INPUT TRANSFORMER INSTALLATION

#### Optional Input 1 Transformer Installation

Contact Atlas Sound at 1-800-876-3333 for price and availability.



(p/n AAIT-600)

Specifications are subject to change without notice



AtlasSound.com

1601 JACK MCKAY BOULEVARD ENNIS, TEXAS 75119 U.S.A. • TELEPHONE: (800) 876-3333 • FAX: (800) 765-3435

©2006 ATLAS SOUND LP

Printed in U.S.A.

000106

ATS002171 RevA 01/06

PP



SPECIFICATIONS

<b>POWER OUTPUT</b>	
Max. Average Power @ 50Hz-20kHz with .5% THD (10-80kHz filter) 8Ω, 1kHz, 0.5% THD 35W RMS	
<b>TRANSFORMER OUTPUTS</b>	
25V	35W RMS
70.7V	35W RMS
8Ω	35W RMS
<b>FREQUENCY RESPONSE</b>	
50Hz-20kHz	
<b>THD+N</b>	
.5% or less, at 1kHz, rated output .1% or less, at 1kHz, 5W output	
<b>SENSITIVITY</b>	
Input 1 Mic	.316 ~ 3.16mV (-50 ~ -70dBV)
Input 1 Telephone/Line	316mV (-10dBV) 10kΩ (optional 600Ω transformer available)
Input 2/3	316mV (10dBV) 10kΩ
<b>OUTPUTS</b>	
Main:	Transformer coupled, balanced, 8Ω, 25V, and 70.7V
Zone 2- 8Ω	Unbalanced 1W
Zone 2- 600Ω	Balanced 1.5V
<b>OUTPUT REGULATION</b>	
Less than 2dB, no load to full load	
<b>SIGNAL TO NOISE RATIO</b>	
Mic	>55dB
Line	>55dB
Telephone	>55dB
Input 2/3	>75dB
<b>TONE CONTROLS</b>	
Bass	±10dB @ 100Hz
Treble	±10dB @ 10kHz
<b>INDICATORS</b>	
Power, signal, peak	
<b>POWER CONSUMPTION</b>	
90W	
<b>DIMENSIONS</b>	
8.27" x 3.66" x 10.87" (210mm x 94mm x 276mm)	
<b>WEIGHT</b>	
10.2 lbs (4.64kg)	

Specifications are subject to change without notice



AtlasSound.com

1601 JACK MCKAY BOULEVARD ENNIS, TEXAS 75119 U.S.A. • TELEPHONE: (800) 876-3333 • FAX: (800) 765-3435

©2006 ATLAS SOUND LP

Printed in U.S.A.

000106

ATS002171 RevA 01/06

PP



NOTES: \_\_\_\_\_

\_\_\_\_\_

\_\_\_\_\_

\_\_\_\_\_

\_\_\_\_\_

\_\_\_\_\_

\_\_\_\_\_

\_\_\_\_\_

\_\_\_\_\_

\_\_\_\_\_

\_\_\_\_\_

\_\_\_\_\_

\_\_\_\_\_

\_\_\_\_\_

\_\_\_\_\_

\_\_\_\_\_

\_\_\_\_\_

\_\_\_\_\_

\_\_\_\_\_

\_\_\_\_\_

\_\_\_\_\_

\_\_\_\_\_

*Specifications are subject to change without notice*



**AtlasSound.com**



NOTES: \_\_\_\_\_

\_\_\_\_\_

\_\_\_\_\_

\_\_\_\_\_

\_\_\_\_\_

\_\_\_\_\_

\_\_\_\_\_

\_\_\_\_\_

\_\_\_\_\_

\_\_\_\_\_

\_\_\_\_\_

\_\_\_\_\_

\_\_\_\_\_

\_\_\_\_\_

\_\_\_\_\_

\_\_\_\_\_

\_\_\_\_\_

\_\_\_\_\_

\_\_\_\_\_

\_\_\_\_\_

\_\_\_\_\_

\_\_\_\_\_

*Specifications are subject to change without notice*



**AtlasSound.com**



NOTES: \_\_\_\_\_

\_\_\_\_\_

\_\_\_\_\_

\_\_\_\_\_

\_\_\_\_\_

\_\_\_\_\_

\_\_\_\_\_

\_\_\_\_\_

\_\_\_\_\_

\_\_\_\_\_

\_\_\_\_\_

\_\_\_\_\_

\_\_\_\_\_

\_\_\_\_\_

\_\_\_\_\_

\_\_\_\_\_

\_\_\_\_\_

\_\_\_\_\_

\_\_\_\_\_

\_\_\_\_\_

\_\_\_\_\_

\_\_\_\_\_

\_\_\_\_\_

*Specifications are subject to change without notice*



**AtlasSound.com**



### Limited Warranty

All products manufactured by Atlas Sound are warranted to the original dealer/installer, industrial or commercial purchaser to be free from defects in material and workmanship and to be in compliance with our published specifications, if any. This warranty shall extend from the date of purchase for a period of three years on all Atlas Sound products, including SOUNDOLIER brand, and ATLAS SOUND brand products except as follows: one year on electronics and control systems; one year on replacement parts; and one year on Musician Series stands and related accessories. Additionally, fuses and lamps carry no warranty. Atlas Sound will solely at its discretion, replace at no charge or repair free of charge defective parts or products when the product has been applied and used in accordance with our published operation and installation instructions. We will not be responsible for defects caused by improper storage, misuse (including failure to provide reasonable and necessary maintenance), accident, abnormal atmospheres, water immersion, lightning discharge, or malfunctions when products have been modified or operated in excess of rated power, altered, serviced or installed in other than a workman like manner. The original sales invoice should be retained as evidence of purchase under the terms of this warranty. All warranty returns must comply with our returns policy set forth below. When products returned to Atlas Sound do not qualify for repair or replacement under our warranty, repairs may be performed at prevailing costs for material and labor unless there is included with the returned product(s) a written request for an estimate of repair costs before any nonwarranty work is performed. In the event of replacement or upon completion of repairs, return shipment will be made with the transportation charges collect.

EXCEPT TO THE EXTENT THAT APPLICABLE LAW PREVENTS THE LIMITATION OF CONSEQUENTIAL DAMAGES FOR PERSONAL INJURY, ATLAS SOUND SHALL NOT BE LIABLE IN TORT OR CONTRACT FOR ANY DIRECT, CONSEQUENTIAL OR INCIDENTAL LOSS OR DAMAGE ARISING OUT OF THE INSTALLATION, USE OR INABILITY TO USE THE PRODUCTS. THE ABOVE WARRANTY IS IN LIEU OF ALL OTHER WARRANTIES INCLUDING BUT NOT LIMITED TO WARRANTIES OF MERCHANTABILITY AND FITNESS FOR A PARTICULAR PURPOSE.

Atlas Sound does not assume, or does it authorize any other person to assume or extend on its behalf, any other warranty, obligation, or liability. This warranty gives you specific legal rights and you may have other rights which vary from state to state.

### SERVICE

Should your AA Series amplifier require service, please contact the Atlas Sound warranty department at 1-877-689-8055, ext. 277 to obtain an RA number.

Atlas Sound Tech Support can be reached at 1-800-876-3333.

Visit our website at [www.AtlasSound.com](http://www.AtlasSound.com) to see other Atlas products

*Specifications are subject to change without notice*



**AtlasSound.com**