

Roland®

**Roland Drum System
V-Compact® series**



TD-3KW

Owner's Manual

Thank you, and congratulations on your choice of the Roland Drum System TD-3KW.

Before using this unit, carefully read the sections entitled: "USING THE UNIT SAFELY" and "IMPORTANT NOTES" (p. 2, p. 3). These sections provide important information concerning the proper operation of the unit. Additionally, in order to feel assured that you have gained a good grasp of every feature provided by your new unit, Owner's manual should be read in its entirety. The manual should be saved and kept on hand as a convenient reference.



** For the Snare (PDX-8) to function correctly, trigger parameters in the sound module TD-3 must be adjusted.*

Copyright © 2006 ROLAND CORPORATION

All rights reserved. No part of this publication may be reproduced in any form without the written permission of ROLAND CORPORATION.

USING THE UNIT SAFELY

INSTRUCTIONS FOR THE PREVENTION OF FIRE, ELECTRIC SHOCK, OR INJURY TO PERSONS

About ⚠ WARNING and ⚠ CAUTION Notices

⚠ WARNING	Used for instructions intended to alert the user to the risk of death or severe injury should the unit be used improperly.
⚠ CAUTION	Used for instructions intended to alert the user to the risk of injury or material damage should the unit be used improperly. * Material damage refers to damage or other adverse effects caused with respect to the home and all its furnishings, as well to domestic animals or pets.

About the Symbols

	The ⚠ symbol alerts the user to important instructions or warnings. The specific meaning of the symbol is determined by the design contained within the triangle. In the case of the symbol at left, it is used for general cautions, warnings, or alerts to danger.
	The symbol alerts the user to items that must never be carried out (are forbidden). The specific thing that must not be done is indicated by the design contained within the circle. In the case of the symbol at left, it means that the unit must never be disassembled.
	The symbol alerts the user to things that must be carried out. The specific thing that must be done is indicated by the design contained within the circle. In the case of the symbol at left, it means that the power-cord plug must be unplugged from the outlet.

ALWAYS OBSERVE THE FOLLOWING

⚠ WARNING

- Before using this unit, make sure to read the instructions below, and the Owner's Manual.

- Do not open or perform any internal modifications on the unit. (The only exception would be where this manual provides specific instructions which should be followed in order to put in place user-installable options; see p. 7.)

- Do not attempt to repair the unit, or replace parts within it (except when this manual provides specific instructions directing you to do so). Refer all servicing to your retailer, the nearest Roland Service Center, or an authorized Roland distributor, as listed on the "Information" page.

- Never use or store the unit in places that are:
 - Subject to temperature extremes (e.g., direct sunlight in an enclosed vehicle, near a heating duct, on top of heat-generating equipment); or are
 - Damp (e.g., baths, washrooms, on wet floors); or are
 - Humid; or are
 - Exposed to rain; or are
 - Dusty; or are
 - Subject to high levels of vibration.

- This unit should be used only with a rack or stand that is recommended by Roland.

⚠ WARNING

- When using the unit with a rack or stand recommended by Roland, the rack or stand must be carefully placed so it is level and sure to remain stable. If not using a rack or stand, you still need to make sure that any location you choose for placing the unit provides a level surface that will properly support the unit, and keep it from wobbling.

- Do not allow any objects (e.g., flammable material, coins, pins); or liquids of any kind (water, soft drinks, etc.) to penetrate the unit.

- In households with small children, an adult should provide supervision until the child is capable of following all the rules essential for the safe operation of the unit.

- Do not drop it!

⚠ CAUTION

- Try to prevent cords and cables from becoming entangled. Also, all cords and cables should be placed so they are out of the reach of children.

- Never climb on top of, nor place heavy objects on the unit.

- Should you remove nuts, washers, screws, anchor bolts, etc., keep them in a safe place out of children's reach, so there is no chance of them being swallowed accidentally.

IMPORTANT NOTES

In addition to the items listed under “USING THE UNIT SAFELY” on page 2, please read and observe the following:

Placement

- Do not expose the unit to direct sunlight, place it near devices that radiate heat, leave it inside an enclosed vehicle, or otherwise subject it to temperature extremes. Excessive heat can deform or discolor the unit.
- Do not allow rubber, vinyl, or similar materials to remain on the unit for long periods of time. Such objects can discolor or otherwise harmfully affect the finish.

Maintenance

- For everyday cleaning wipe the unit with a soft, dry cloth or one that has been slightly dampened with water. To remove stubborn dirt, use a cloth impregnated with a mild, non-abrasive detergent. Afterwards, be sure to wipe the unit thoroughly with a soft, dry cloth.
- Never use benzine, thinners, alcohol or solvents of any kind, to avoid the possibility of discoloration and/or deformation.

Additional Precautions

- Use a reasonable amount of care when using the unit’s buttons, sliders, or other controls; and when using its jacks and connectors. Rough handling can lead to malfunctions.
- When connecting / disconnecting all cables, grasp the connector itself—never pull on the cable. This way you will avoid causing shorts, or damage to the cable’s internal elements.
- To avoid disturbing your neighbors, try to keep the unit’s volume at reasonable levels. You may prefer to use headphones, so you do not need to be concerned about those around you (especially when it is late at night).
- This instrument is designed to minimize the extraneous sounds produced when it’s played. However, since sound vibrations can be transmitted through floors and walls to a greater degree than expected, take care not to allow these sounds to become a nuisance to neighbors, especially when performing at night and when using headphones.

Checking the Contents of the Box

- TD-3 (Percussion Sound Module) x 1
- KD-8 (Kick Trigger Pad) x 1
- FD-8 (Hi-Hat Control Pedal) x 1
- PDX-8 (V-Pad) x 1
- PD-8 (Pad) x 3
- CY-5 (Cymbal Pad) x 1
- CY-8 (Cymbal Pad) x 2
- Connection Cables
- Tuning Key x 1
- TD-3KW Owner's Manual x 1

MEMO

- The tuning key is included in the FD-8 package.
- The TD-3 Owner's Manual is included in the TD-3 package.
- This package does not include a kick pedal. Use with a commercially available kick pedal.
- This package does not include the CY-5 attachment set for cymbal.

* In the interest of product improvement, the specifications and/or appearance of this unit are subject to change without prior notice.

MDS-3C (Drum Stand)

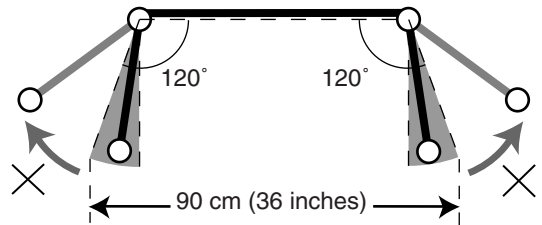
Assemble the Drum Stand.



About the Stand, refer to the owner's manual for the stand.

NOTE

Do NOT open the legs of the stand at more than 120 degrees, and NOT make the distance of both Right/Left end legs as more than 90cm (36 inches). If you do so, the stand could fall down.



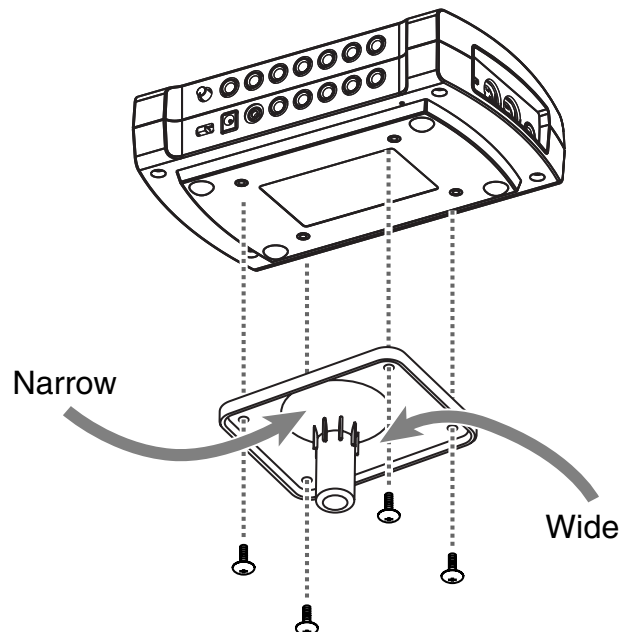
TD-3 (Percussion Sound Module)

Attach the mounting plate (included with the optional drum stand) to the TD-3.

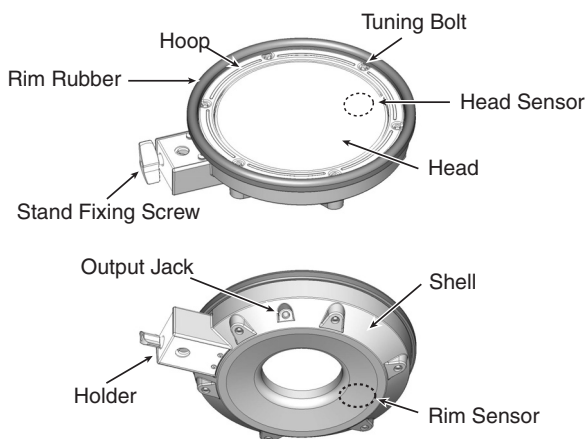
Using the screws attached to the bottom panel, attach the holder so the unit is oriented as shown in the diagram.

NOTE

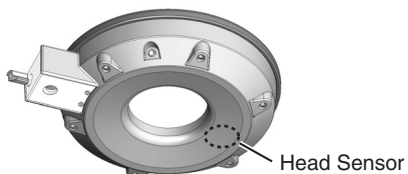
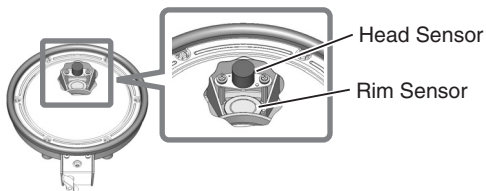
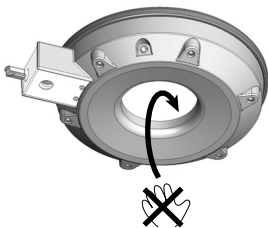
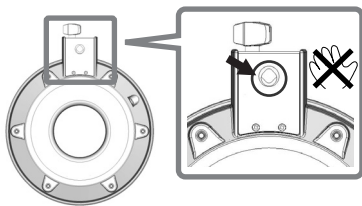
- To attach the stand holder, remove the four 8 mm screws (M5 x 8) from the bottom of the TD-3 and use them. Use of other screws may result in damage to the unit.
- When turning the unit upside-down, get a bunch of newspapers or magazines, and place them under the four corners or at both ends to prevent damage to the buttons and controls. Also, you should try to orient the unit so no buttons or controls get damaged.
- When turning the unit upside-down, handle with care to avoid dropping it, or allowing it to fall or tip over.



PDX-8 (Snare)



* Do NOT place your fingers inside the shell, as you may hurt yourself or cause damage to the PDX-8. Or when changing the head, do NOT touch any of the internal parts. Also, do not insert your fingers into the hole of the mounting bracket.



Adjusting the Head Tension

Before using the pad, tighten the head so that the tension is rather firm.

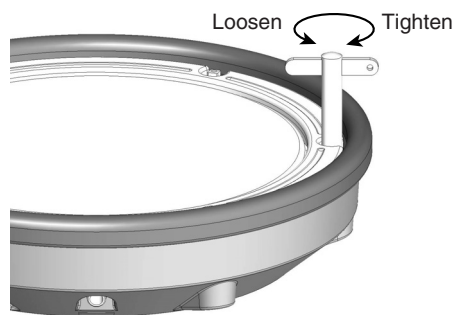
Looseness in the head tension may result in problems such as failure of the PDX-8's rim shots to sound or double triggering.

NOTE

Striking the head when the head tension is loose may damage the sensor.

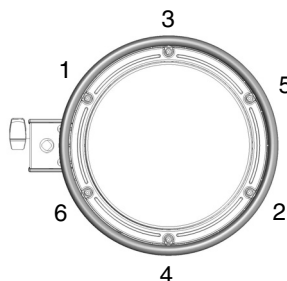
1. Use a tuning key to tighten the tuning bolts.

Strike the head to check the feel and response.



NOTE

Tighten each tuning bolt one by one, observing the numerical order shown in the diagram. Do not firmly tighten a single tuning bolt by itself. Doing so will make it impossible to tension the head evenly, and will cause malfunctions.



2. Fine-tune the adjustment while continuing to check the pad feel and response.

MEMO

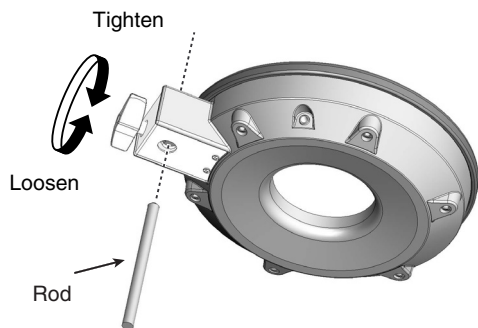
- On the PDX-8, adjusting the head tension affects only the head response, and does not change the pitch of the sound as it would on an acoustic drum.
- Head tension may slacken with the passage of time. Readjust the tension as needed.

Attaching the Pad to a Stand

Attach the PDX-8 to a pad mount of the stand.

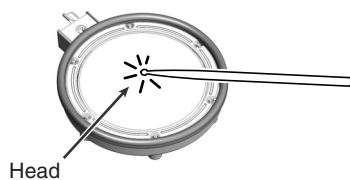
NOTE

Be sure to tighten the stand fixing screw secure. If it remain loose, double triggering may occur.



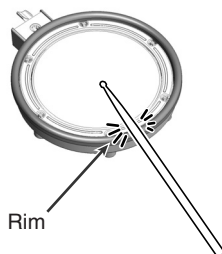
Playing Methods

Head Shots

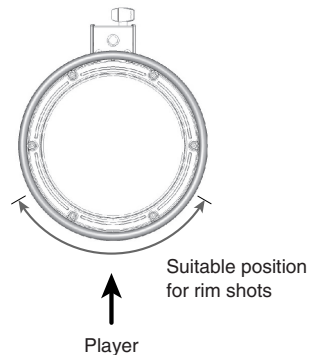


* Do not strike the hoop.

Rim Shots



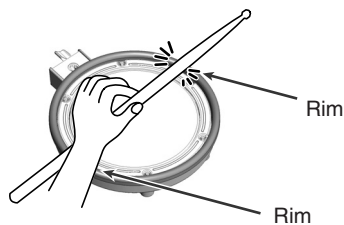
* To play rim shots, strike the rim in the area shown in the diagram.



Cross Stick

Only strike the rim of the pad.

Depending on the instrument assigned to the rim, you can play rim shots and/or cross stick sounds.



* To play the cross stick, be sure that you only strike the rim of the pad. Placing your hand on the head of the pad might prevent the cross stick sound from being played properly.

MEMO

For more on settings and tones, see the respective module's owner's manual.

HINT

If you hear a rim sound when you strike the head, decrease the "Rim Sensitivity (rns)" value.
If you cannot get a rim sound even when you strike the rim hard, increase the "Rim Sensitivity (rns)" value.

Head Replacement

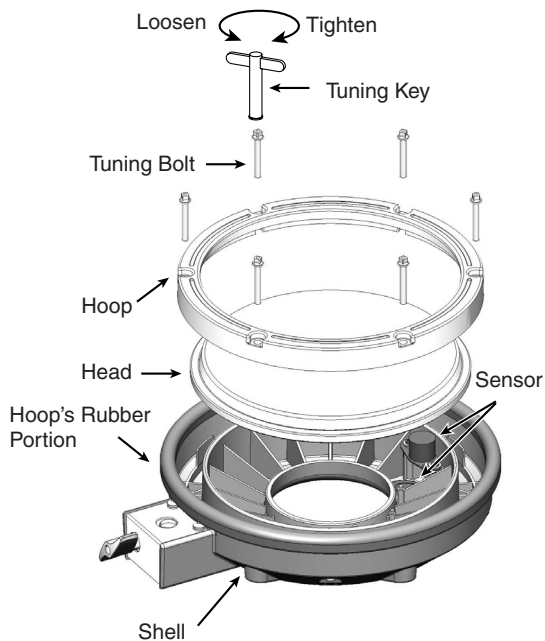
When the Head Should Be Replaced

The head is an expendable item that eventually will wear out and need to be replaced. Replace the head when the following occurs:

Slack portions remain in the head even when the head tension is properly adjusted.

Replacement heads (optional): MH-8 Mesh Head

1. Remove all tuning bolts from the PDX-8.



NOTE

Do not apply excessive force to the sensor and cushion located under the head. Doing so can interfere with accurate detection, and may damage it.

2. Remove the hoop.
3. Remove the old head.
4. Place the new head on the shell.
5. Place the hoop onto the head.
6. Attach the tuning bolts to the hoop and shell.
7. Next, adjust the tension of the head. Refer to "Adjusting the Head Tension" (p. 5).

NOTE

Do not firmly tighten a single tuning bolt by itself. Doing so will make it impossible to tension the head evenly, and will cause malfunctions.

Specifications

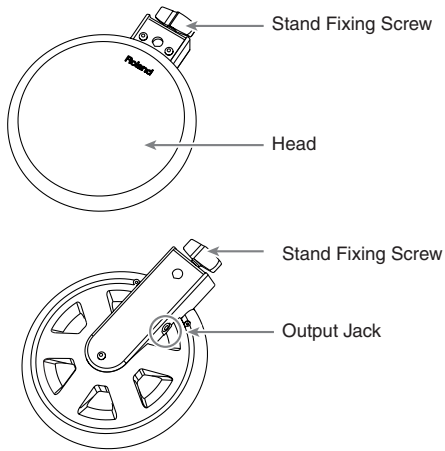
PDX-8

Head Size:	8 inches
Triggers:	2 (Head, Rim)
Dimensions:	266 (W) x 326 (D) x 62 (H) mm 10-1/2 (W) x 12-7/8 (D) x 2-1/2 (H) inches
Weight:	1.3 kg 2 lbs 14 oz
Options:	Mesh Head (MH-8)

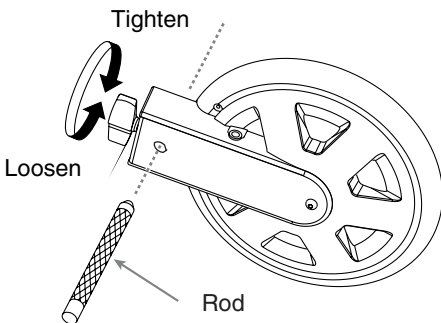
* The Rim rubber is one component that eventually wears out (the more so if numerous rim shots are performed), and will require replacement. Rim shots may not be performed correctly when the rim rubber is worn out. If this occurs, replace the rim rubber. Consult Roland Service for more on replacing the rim rubber.

* Due to the nature of the materials used in the sensor, changes in room temperature may affect the sensitivity of the sensor.

PD-8 (Tom)



Attaching the Pad to a Stand



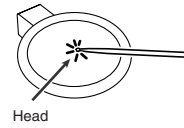
Pass the rod through the pipe that is inside the holder.

NOTE

When attaching the PD-8s to the mounts, be sure to tighten the stand fixing screws securely. If any of them remain loose, the pad could fall off.

Playing the PD-8

Head Shot



Specifications

PD-8

Pad Size: 8.5 inches

Triggers: 2 (Head, Rim)

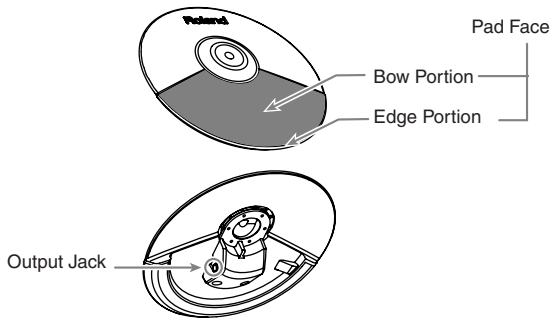
Dimensions: 226 (W) x 280 (D) x 54 (H) mm

8-15/16 (W) x 11-1/16 (W) x 2-1/8 (H) inches

Weight: 1.2 kg

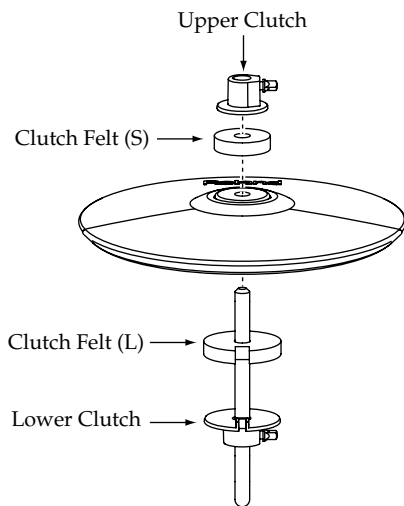
2 lbs 11 oz

CY-5 (Hi-Hat)



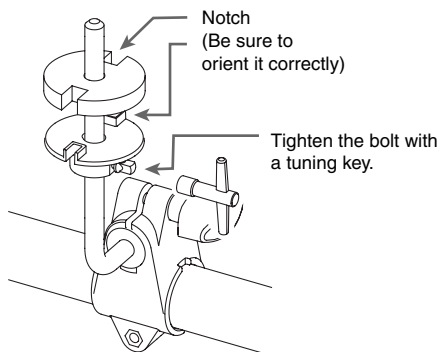
Making the Settings

When mounting the CY-5 on an L-Rod (pad mount), use **ONLY** the attachment set as shown below.

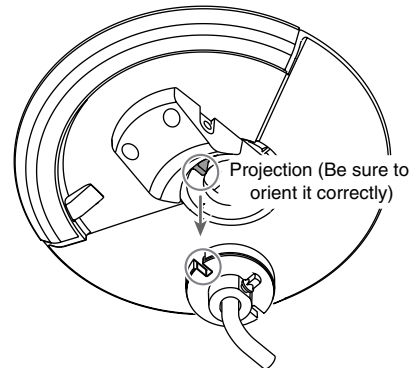


1. Mounting the lower clutch and the clutch felt (L).

Align the notched section as shown below. Then place the clutch felt (L) so it fits securely.



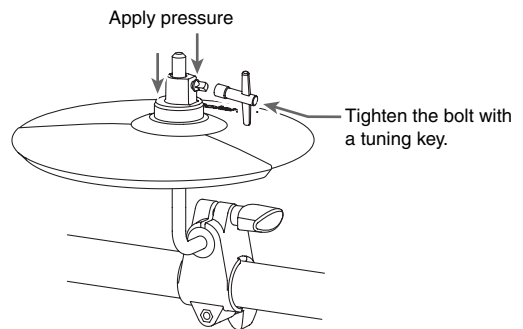
2. Mount the CY-5 so it fits the lower clutch as shown below.



3. Place the clutch felt (s), and while applying some pressure, mount the upper clutch as shown.

Afterwards, you can adjust the upper clutch to have the movement you desire. If it is too loose, double triggering may occur.

Be sure the ROLAND logo is on the opposite side of the playing area.



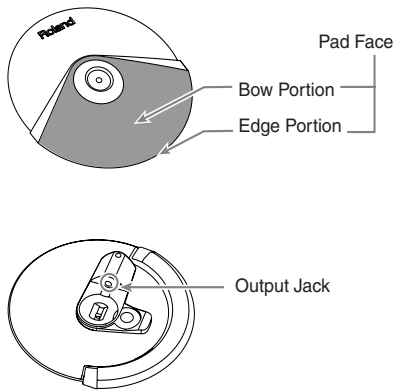
Specifications

CY-5

Size:	10 inches
Triggers:	2 (Bow, Edge)
Dimensions:	246 (W) x 246 (D) x 45 (H) mm 9-11/16 (W) x 9-11/16 (D) x 1-13/16 (H) inches
Weight:	380 g 14 oz (without attachment)
Accessories:	Attachment Set for Hi-Hat (Upper Clutch, Lower Clutch, Clutch Felt (L), Clutch Felt (S))

* Continuous playing may cause dis-coloration of the pad, but this will not affect the Pad's function.

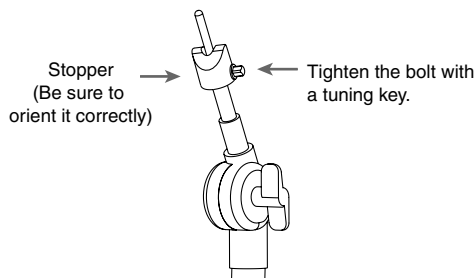
CY-8 (Crash Cymbal/Ride Cymbal)



Attaching the Cymbal Pad to a Stand

1. Use a tuning key to tighten the stopper bolt.

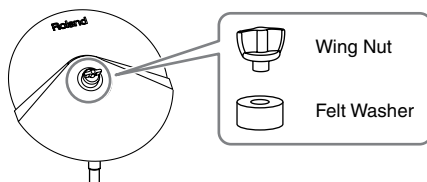
The stopper keeps the cymbal pad from turning, and prevents the cables from catching or getting tangled on the stand.



2. Attach the CY-8 so the Roland logo is positioned on the opposite side of the playing area.

3. Tighten the wing nut to obtain the desired movement.

Use the included felt washer and the wing nut.



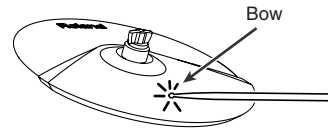
NOTE

Double sounding may occur if the wing nut is loose.

Playing the CY-8

Bow Shot

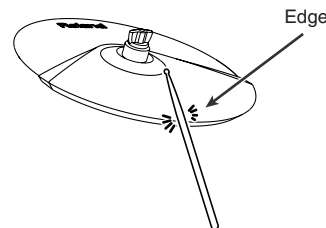
This is the most common playing method, playing the pad face of the cymbal. It corresponds to the sound of the "head-side" of the connected trigger input.



Edge Shot

This playing method involves striking the edge with the shoulder of the stick. It corresponds to the sound of the "rim-side" of the connected trigger input.

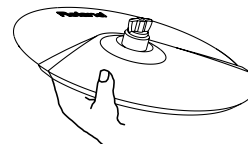
* To make use of edge shot, you'll need to connect to a trigger input jack on the percussion sound module that accommodates rim shots.



Choking

Choking (pinching) the cymbal's edge with the hand immediately after hitting the cymbal makes the sound stop.

* To make use of choking play techniques, you'll need to connect to a trigger input jack on the percussion sound module that accommodates rim shots.



Specifications

CY-8

Size: 12 inches

Triggers: 2 (Bow, Edge)

Dimensions: 290 (W) x 295 (D) x 47 (H) mm

11-7/16 (W) x 11-5/8 (D) x 1-7/8 (H) inches

Weight: 650 g / 1 lb 7 oz

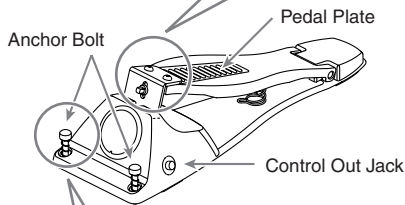
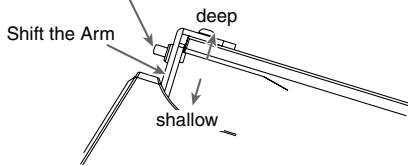
Accessories: Wing Nut, Felt Washer, Stopper

* Continuous playing may cause dis-coloration of the pad, but this will not affect the Pad's function.

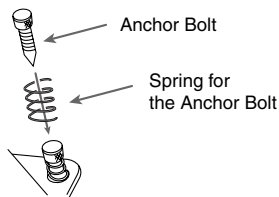
FD-8 (Hi-Hat Control Pedal)

Adjusting the Travel of the Pedal

Loosen the nut with a tuning key.
After adjusting, tighten the nut.



Attaching the Anchor Bolts (When Using on the Carpet)



NOTE

- The tips of the anchor bolts are sharp. Handle with care.
- When using on flooring, the anchor bolts may damage the floor. Do not attach the anchor bolts.
- When the FD-8 is not going to be used for a long period of time, move and fix the arm, allowing longer travel for the pedal.
- To avoid damage, do not leave the FD-8 for extended periods of time with the pedal plate depressed.

Using the FD-8

Using the FD-8, you can control the opening and closing of the hi-hat sound.

Open Hi-Hat

Strike the hi-hat without pressing the pedal

Half Open Hi-Hat

Strike the hi-hat with the pedal pressed half-way

Closed Hi-Hat

Strike the hi-hat with the pedal pressed

Foot Closed

Completely press down the pedal

HINT

The volume of the Foot Closed sound can be adjusted separately (TD-3 Owner's Manual; p. 42).

NOTE

- Connect the FD-8 to the TD-3 before turning on the power.
- Do NOT press the pedal when turning on the power.

Specifications

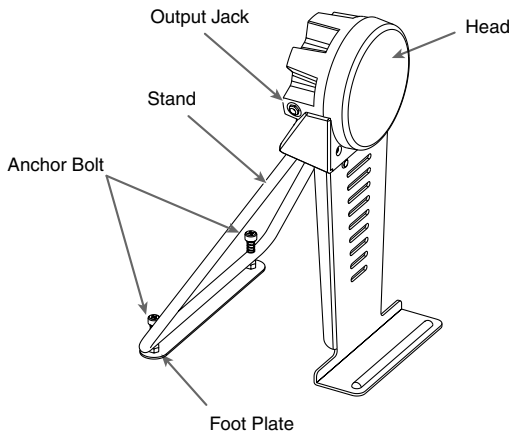
FD-8

Dimensions: 130 (W) x 396 (D) x 103 (H) mm
5-1/8 (W) x 15-5/8 (D) x 4-1/16 (H) inches

Weight: 1.3 kg
2 lbs 14 oz

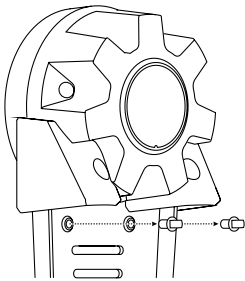
Accessory: Tuning Key

KD-8 (Kick)

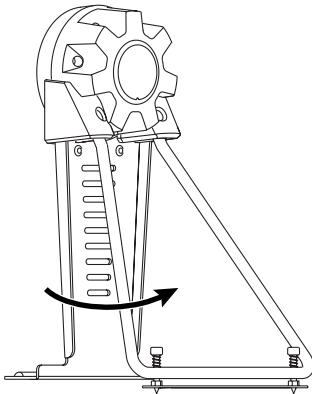


Making the Settings

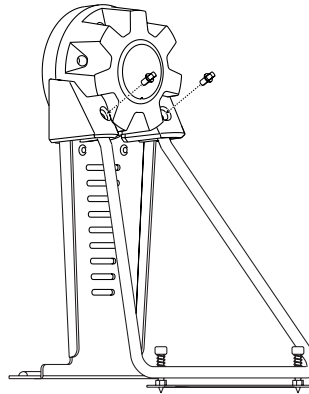
1. Remove the screws attached to the reverse side of the KD-8's trigger.



2. Pull out the stand in the direction indicated by the arrow until it is fully extended.

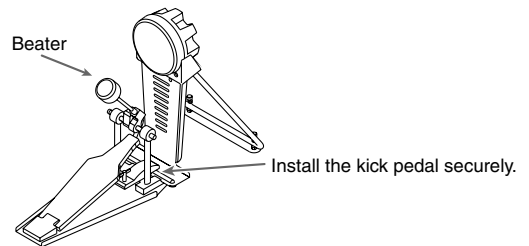


3. Use a tuning key supplied with the FD-8 to tighten the screws removed in Step 1 so that the stand is firmly secured.



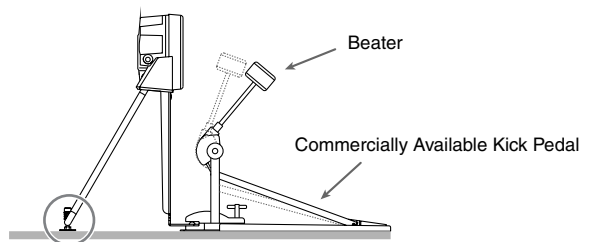
4. Attach the kick pedal.

Position the beater so that it strikes the center of the head, then secure the kick pedal and KD-8 firmly in place.



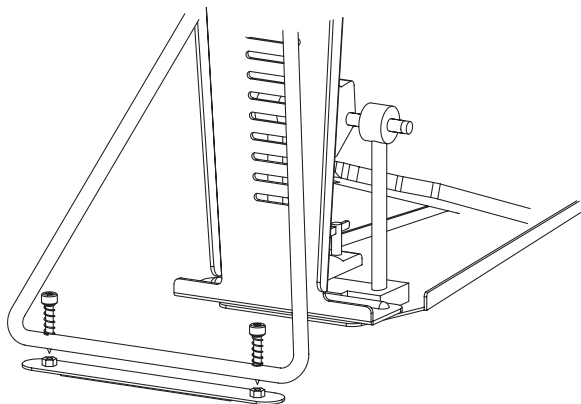
Adjusting the Foot Plate Height

Depending on your kick pedal, it can be unstable when you attach it to the KD-8. Be sure to adjust the foot plate height so that the entire bottom surface of the pedal is attached to the floor.

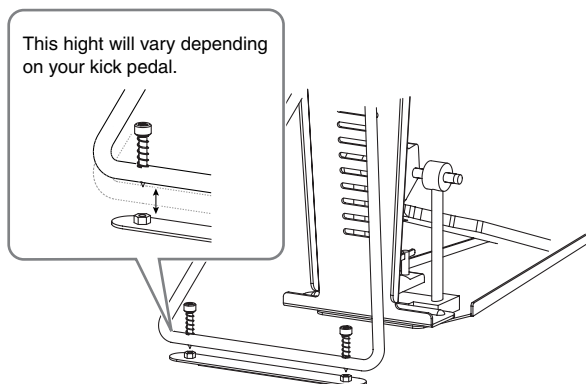


* Adjust the height so that the entire pedal comes into contact with the floor.

1. Loosen the stand's anchor bolts and remove the foot plate.



2. Set the kick pedal so that the entire bottom surface is attached to the floor.
3. In most cases, the stand becomes somewhat floated. Tighten the anchor bolts securely there to fix the stand and foot plate.



NOTE

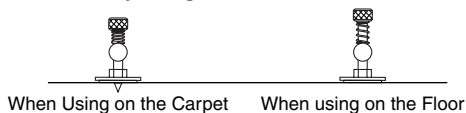
- Install the kick pedal securely.
- Take care not to pinch your fingers.
- The tips of the anchor bolts are sharp. Handle with care.
- When moving the setup, be sure to remove the screws and fold the stand. Transporting the KD-8 while it remains open may subject the stand to excessive strain and result in damage to the stand.

Adjusting the Anchor Bolts

When using the kick pedal on a carpet or similar surface, adjust the anchor bolts so their tips protrude from the plate and secure the pedal in place; this will make it easier to use the kick pedal.

However, when used on flooring, the anchor bolts may damage the floor. Adjust the anchor bolts correctly.

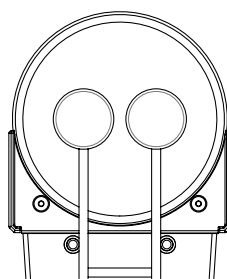
Adjusting the Anchor Bolts



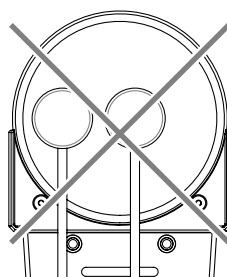
NOTE

The tips of the anchor bolts are sharp. Handle with care.

When Using a Twin Pedal



Position the two beaters equally apart from the center of the pad as shown in the figure at left. If one of the beater is further away from the center than the other, the sound from the further beater will be lower in volume, or will not sound as desired.



Using a twin pedal will result in lower sensitivity as compared to when a single pedal is used. Raise the sensitivity on the sound module.

Specifications

KD-8

Dimensions: 272 (W) x 260 (D) x 405 (H) mm
10-3/4 (W) x 10-1/4 (D) x 16 (H) inches

Weight: 2.9 kg
6 lbs 7 oz

Accessory: Screws

* Continuous playing may cause dis-coloration of the pad, but this will not affect the Pad's function.

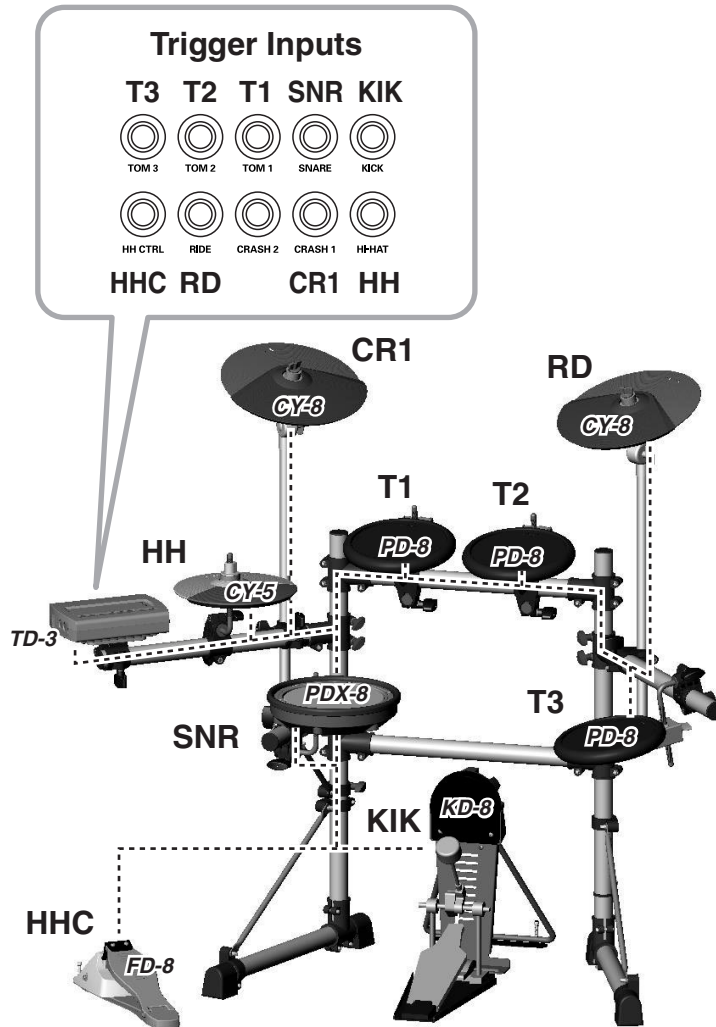
Assemble the "TD-3KW"

Using the provided cables, connect the pads.

Connect the L-shaped plugs of the included cables to the pads.

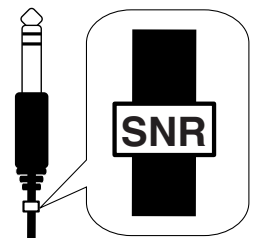
NOTE

To prevent malfunction and/or damage to speakers or other devices, always turn down the volume, and turn off the power on all devices before making any connections.



1. Insert the plugs of connecting cables into the TRIGGER INPUTS jacks on the rear of the TD-3.
2. Insert the L-shaped plugs into the TRIGGER OUTPUTS jacks of the pads.

* When you connect the cables, please refer to the labels that are attached to both ends of the cables.



Trigger Settings For TD-3

For the Snare (PDX-8) to function correctly, trigger parameters in the sound module TD-3 must be adjusted.

For more detailed informations, refer to the TD-3 Owner's Manual.

Adding the Optional Pads to the TD-3KW

When adding a new pad, use trigger input CRASH2.

Examples

Adding a Cymbal

Adding the CY-8 or the CY-5 for a 2nd Crash or a Splash Cymbal. For mounting, use the Cymbal Mount MDY-10U.

Adding a Tom

Adding the PD-8 for a 2nd floor tom. For mounting, use the Pad Mount MDH-10U.

Options

Kick Trigger Pad:	KD-8, KD-7
V-Kick Trigger Pad:	KD-85, KD-120
Dual Trigger Pad:	PD-8
V-Pad:	PDX-8, PD-85, PD-105, PD-125
Cymbal Pad:	CY-8, CY-5
V-Cymbal:	CY-12R/C, CY-14C, CY-15R
Pad Mount:	MDH-10U
Cymbal Mount:	MDY-10U

Information

When you need repair service, call your nearest Roland Service Center or authorized Roland distributor in your country as shown below.

AFRICA

EGYPT
Al Fanny Trading Office
9, FBN Hagar Al Askalani
Street,
ARD El Golf, Heliopolis,
Cairo 11341, EGYPT
TEL: 20-2-417-1828

REUNION
Maison FO - YAM Marcel
25 Rue Jules Hermann,
Chaudron - BP79 97 491
Ste Clotilde Cedex,
REUNION ISLAND
TEL: (0262) 218-429

SOUTH AFRICA
That Other Music Shop(PTY)Ltd.
11 Melle St., Braamfontein,
Johannesburg,
SOUTH AFRICA
TEL: (011) 403 4105
FAX: (011) 403 1234

Paul Bothner(PTY)Ltd.
Royal Cape Park, Unit 24
Londonderry Road, Ottery 7800
Cape Town, SOUTH AFRICA
TEL: (021) 799 4900

ASIA

CHINA
Roland Shanghai Electronics
Co., Ltd.
5F, No.1500 Pingliang Road
Shanghai 200090, CHINA
TEL: (021) 5580-0800

Roland Shanghai Electronics
Co., Ltd.
(BEIJING OFFICE)
10F, No.18 3 Section Anhuaxili
Chaoyang District Beijing
100011 CHINA
TEL: (010) 6426-5050

Roland Shanghai Electronics
Co., Ltd.
(GUANGZHOU OFFICE)
2/F, No.30 Si You Nan Er Jie
Yi Xiang, Wu Yang Xin Cheng,
Guangzhou 510600, CHINA
TEL: (020) 8736-0428

HONG KONG
Tom Lee Music Co., Ltd.
Service Division
22-32 Pun Shan Street, Tsuen
Wan, New Territories,
HONG KONG
TEL: 2415 0911

Parsons Music Ltd.
8th Floor, Railway Plaza, 39
Chatham Road South, T.S.T.,
Kowloon, HONG KONG
TEL: 2333 1863

INDIA
Riviera Digitec (India) Pvt. Ltd.
409, Nirman Kendra
Mahalaxmi Flats Compound
Off. Dr. Edwin Moses Road,
Mumbai-400011, INDIA
TEL: (022) 2493 9051

INDONESIA
PT Citra IntiRama
Jl. Cideng Timur No. 15J-150
Jakarta Pusat
INDONESIA
TEL: (021) 6324170

KOREA
Cosmos Corporation
1461-9, Seocho-Dong,
Seocho Ku, Seoul, KOREA
TEL: (02) 3486-8855

MALAYSIA
Roland Asia Pacific Sdn. Bhd.
45-1, Block C2, Jalan PJU 1/39,
Dataran Prima, 47301 Petaling
Jaya, Selangor, MALAYSIA
TEL: (03) 7805-3263

PHILIPPINES
G.A. Yupango & Co. Inc.
339 Gil J. Puyat Avenue
Makati, Metro Manila 1200,
PHILIPPINES
TEL: (02) 899 9801

SINGAPORE
SWEET LEE MUSIC
COMPANY PTE. LTD.
150 Sims Drive,
SINGAPORE 387381
TEL: 6846-3676

TAIWAN
ROLAND TAIWAN
ENTERPRISE CO., LTD.
Room 5, 9fl. No. 112 Chung
Shan N.Road Sec.2, Taipei,
TAIWAN, R.O.C.
TEL: (02) 2561 3339

THAILAND
Theera Music Co., Ltd.
330 Soi Verg NakornKasem,
New Road, Sumpantawongse,
Bangkok 10100, THAILAND
TEL: (02) 224-8821

VIETNAM
SAIGON MUSIC
DISTRIBUTOR
(TAN DINH MUSIC)
138 Tran Quang Khai Street
Dist. 1, Ho Chi Minh City
VIETNAM
TEL: (08) 848-4068

AUSTRALIA/ NEW ZEALAND

**AUSTRALIA/
NEW ZEALAND**
Roland Corporation
Australia Pty., Ltd.
38 Campbell Avenue
Dee Why West, NSW 2099
AUSTRALIA

For Australia
Tel: (02) 9982 8266
For New Zealand
Tel: (09) 3098 715

CENTRAL/LATIN AMERICA

ARGENTINA
Instrumentos Musicales S.A.
Av. Santa Fe 2055
(1123) Buenos Aires
ARGENTINA
TEL: (011) 4508-2700

BARBADOS
A&B Music Supplies LTD
12 Webster Industrial Park
Wildley, St. Michael, Barbados
TEL: (246)430-1100

BRAZIL
Roland Brasil Ltda.
Rua San Jose, 780 Sala B
Parque Industrial San Jose
Cofia - Sao Paulo - SP, BRAZIL
TEL: (011) 4615 5666

CHILE
Comercial Fancy II S.A.
Rut.: 96.919.420-1
Nataliel Cox #739, 4th Floor
Santiago - Centro, CHILE
TEL: (02) 688-9540

COLOMBIA
Centros Musical Ltda.
Cra 43 B No 25 A 41 Bododega 9
Medellin, Colombia
TEL: (574)3812529

COSTA RICA
JUAN Bansch Instrumentos
Musicales
Ave.1. Calle 11, Apartado 10237,
San Jose, COSTA RICA
TEL: 258-0211

CURACAO
Zeelandia Music Center Inc.
Orionweg, 30
Curacao, Netherland Antilles
TEL:(305)5926866

DOMINICAN REPUBLIC
Instrumentos Fernando Giraldez
Calle Proyecto Central No.3
Ens.La Esperilla
Santo Domingo,
Dominican Republic
TEL:(809) 683 0305

ECUADOR
Mas Musica
Rumichaca 822 y Zaruma
Guayaquil - Ecuador
TEL:(593-4)2302364

EL SALVADOR
OMNI MUSIC
75 Avenida Norte y Final
Alameda Juan Pablo II,
Edificio No.4010 San Salvador,
EL SALVADOR
TEL: 262-0788

GUATEMALA
Casa Instrumental
Calzada Roosevelt 34-01,zona 11
Ciudad de Guatemala
Guatemala
TEL:(502) 599-2888

HONDURAS
Almacen Pajaro Azul S.A. de C.V.
BO.Paz Barahona
3 Ave.11 Calle S.O
San Pedro Sula, Honduras
TEL: (504) 553-2029

MARTINIQUE
Musique & Son
Z.I.Les Mangle
97232 Le Lamantin
Martinique F.W.I.
TEL: 596 596 426860

Gigamusic SARL
10 Rte De La Folie
97200 Fort De France
Martinique F.W.I.
TEL: 596 596 715222

MEXICO
Casa Veerkamp, s.a. de c.v.
Av. Toluca No. 323, Col. Olivar
de los Padres 01780 Mexico
D.F. MEXICO
TEL: (55) 5668-6699

NICARAGUA
Bansch Instrumentos
Musicales Nicaragua
Altamira D'Este Calle Principal
de la Farmacia 5ta.Avenida
1 Cuadra al Lago.#503
Managua, Nicaragua
TEL: (505)277-2557

PANAMA
SUPRO MUNDIAL, S.A.
Boulevard Andrews, Albrook,
Panama City, REP. DE
PANAMA
TEL: 315-0101

PARAGUAY
Distribuidora De
Instrumentos Musicales
J.E. Olear y ESQ. Manduvira
Asuncion PARAGUAY
TEL: (595) 21 492147

PERU
Audionet
Distribuciones Musicales SAC
Juan Fanning 530
Miraflores
Lima - Peru
TEL: (511) 4461388

TRINIDAD
AMR Ltd
Ground Floor
Maritime Plaza
Barataria Trinidad W.I.
TEL: (868) 638 6385

URUGUAY
Todo Musica S.A.
Francisco Acuna de Figueroa
1771
C.P.: 11.800
Montevideo, URUGUAY
TEL: (02) 924-2335

VENEZUELA
Instrumentos Musicales
Allegro,C.A.
Av.las industrias edf.Guitar
import
#7 zona Industrial de Turumo
Caracas, Venezuela
TEL: (212) 244-1122

EUROPE

AUSTRIA
Roland Elektronische
Musikinstrumente HmbH.
Austrian Office
Eduard-Bodem-Gasse 8,
A-6020 Innsbruck, AUSTRIA
TEL: (0512) 26 44 260

**BELGIUM/FRANCE/
HOLLAND/
LUXEMBOURG**
Roland Central Europe N.V.
Houtstraat 3, B-2260, Oevel
(Westerlo) BELGIUM
TEL: (014) 575811

CZECH REP.
K-AUDIO
Kardasovska 626,
CZ-198 00 Praha 9,
CZECH REP.
TEL: (2) 666 10529

DENMARK
Roland Scandinavia A/S
Nordhavnevej 7, Postboks 880,
DK-2100 Copenhagen
DENMARK
TEL: 3916 6200

FINLAND
Roland Scandinavia AS, Filial
Finland
Elannonite 5
FIN-01510 Vantaa, FINLAND
TEL: (09) 68 24 020

GERMANY
Roland Elektronische
Musikinstrumente HmbH.
Oelstrasse 96, 22844
Nordstedt, GERMANY
TEL: (040) 52 6090

GREECE
STOLLAS S.A.
Music Sound Light
155, New National Road
Patras 26442, GREECE
TEL: 2610 435400

HUNGARY
Roland East Europe Ltd.
Warehouse Area 'DEPO' Pf.83
H-2046 Törökbalint,
HUNGARY
TEL: (23) 511011

IRELAND
Roland Ireland
G2 Calmount Park, Calmount
Avenue, Dublin 12
Republic of IRELAND
TEL: (01) 4294444

ITALY
Roland Italy S. p. a.
Viale delle Industrie 8,
20020 Arese, Milano, ITALY
TEL: (02) 937-78300

NORWAY
Roland Scandinavia Adv.
Kontor Norge
Lilleakerveien 2 Postboks 95
UL. Gibraltarsta 4,
NORWAY
TEL: 2273 0074

POLAND
MX MUSIC SP.Z.O.O.
Ul. Gibraltarsta 4,
PL-03664 Warszawa POLAND
TEL: (022) 679 44 19

PORTUGAL
Roland Iberia, S.L.
Portugal Office
Cais das Pedras, 8/9-1 Dto
4050-465, Porto, PORTUGAL
TEL: 22 608 00 60

ROMANIA
FBS LINES
Piata Libertatii 1,
535500 Georgheni,
ROMANIA
TEL: (266) 364 609

RUSSIA
MuTek
Dorozhnaya ul.3,korp.6
117 545 Moscow, RUSSIA
TEL: (095) 981-4967

SPAIN
Roland Iberia, S.L.
Paseo Garcia Faria, 33-35
08005 Barcelona SPAIN
TEL: 93 493 91 00

SWEDEN
Roland Scandinavia A/S
SWEDISH SALES OFFICE
Danvik Center 28, 2 tr.
S-131 30 Nacka SWEDEN
TEL: (08) 702 00 20

SWITZERLAND
Roland (Switzerland) AG
Landstrasse 5, Postfach,
CH-4452 Itingen,
SWITZERLAND
TEL: (061) 927-8383

UKRAINE
TIC-TRC
Mira Str. 19/108
P.O. Box 180
205400 Munkachovo,
UKRAINE
TEL: (03131) 414-40

UNITED KINGDOM
Roland (U.K.) Ltd.
Atlantic Close, Swansea
Enterprise Park, SWANSEA
SA7 9EJ,
UNITED KINGDOM
TEL: (01792) 702701

MIDDLE EAST

BAHRAIN
Moon Stores
No.16, Bab Al Bahrain Avenue,
P.O.Box 247, Manama 304,
State of BAHRAIN
TEL: 17 211 005

CYPRUS
Radex Sound Equipment Ltd.
17, Diagorou Street, Nicosia,
CYPRUS
TEL: (022) 66-9426

IRAN
MOCO INC.
No.41 Nike St., Dr.Sharayat Ave.,
Roberove Cerah Mirdamad
Tehran, IRAN
TEL: (021) 285-4169

ISRAEL
Halilit P. Greenspoon & Sons
Ltd.
8 Retzif Ha'aliya Hashnya St.
Tel-Aviv-Yafo ISRAEL
TEL: (03) 6823666

JORDAN
MUSIC HOUSE CO. LTD.
FREDDY FOR MUSIC
P. O. Box 922846
Amman 11192 JORDAN
TEL: (06) 5692696

KUWAIT
EASA HUSAIN AL-YOUSIFI
& SONS CO.
Abdullah Saleem Street,
Safat, KUWAIT
TEL: 243-6399

LEBANON
Chahine S.A.L.
George Zeidan St., Chahine
Bldg., Achrafieh, P.O.Box: 16-
5857
Beirut, LEBANON
TEL: (01) 20-1441

OMAN
TALENTZ CENTRE L.L.C.
Malutan House No.1
Al Noor Street, Ruwi
SULTANATE OF OMAN
TEL: 2478 3443

QATAR
Al Emadi Co. (Badie Studio &
Stores)
P.O. Box 62, Doha, QATAR
TEL: 4423-554

SAUDI ARABIA
aDawlah Universal
Electronics AFL
Corniche Road, Aldossary
Bldg., 1st Floor, Alkhobar,
SAUDI ARABIA

P.O.Box 2154, Alkhobar 31952
SAUDI ARABIA
TEL: (03) 898 2081

SYRIA
Technical Light & Sound
Center
Rawda, Abdul Qader Jazairi St.
Bldg. No. 21, P.O.BOX 13520,
Damascus, SYRIA
TEL: (011) 223-5384

TURKEY
ZUHAI DIS TICARET A.S.
Galic Dede Cad. No.37
Beyoglu - Istanbul / TURKEY
TEL: (0212) 249 85 10

U.A.E.
Zak Electronics & Musical
Instruments Co. L.L.C.
Zabeel Road, Al Sherooq Bldg.,
No. 14, Grand Floor, Dubai,
U.A.E.
TEL: (04) 3360715

NORTH AMERICA

CANADA
Roland Canada Music Ltd.
(Head Office)
5480 Parkwood Way
Richmond B. C., V6V 2M4
CANADA
TEL: (604) 270 6626

Roland Canada Music Ltd.
(Toronto Office)
170 Admiral Boulevard
Mississauga On L5T 2N6
CANADA
TEL: (905) 362 9707

U. S. A.
Roland Corporation U.S.
5105 S. Eastern Avenue,
Los Angeles, CA 90040-2938,
U. S. A.
TEL: (323) 890 3700