



INSTALLATION INSTRUCTIONS FOR PART 99-7870

APPLICATIONS

Honda Ridgeline 2005-2010

99-7870G/99-7870T

KIT FEATURES

- DIN Head Unit Provision With A Pocket
- ISO DIN Head Unit Provision With A Pocket
- ***Painted To Match Factory Dash:***
G = GRAY, T= TAN

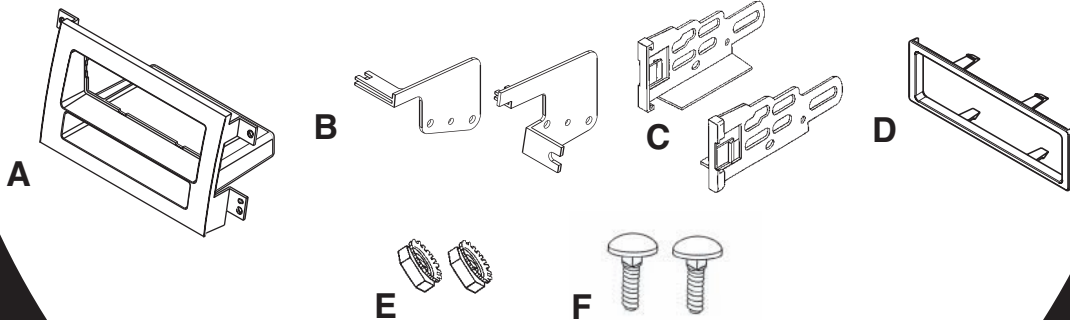
WIRING AND ANTENNA CONNECTIONS (Sold Separately)

- 70-1729 - Honda harness 2009-up or 70-1721 1998-2008
- 40-HD10 - Honda Antenna Adapter 2005-up



KIT COMPONENTS

- A) Radio Housing • B) Radio Housing Brackets (to hold factory pocket below radio) • C) ISO Brackets • D) Trim Plate
- E) Kep Nuts • F) Carriage Bolts



TOOLS REQUIRED:

- Small Flat Blade Screwdriver • Phillips Screwdriver



1-800-221-0932



www.metraonline.com

© COPYRIGHT 2004-2010 METRA ELECTRONICS CORPORATION



99-7870

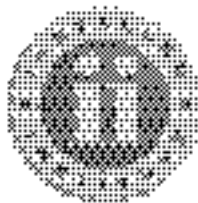
TABLE OF CONTENTS

Dash Disassembly

***Honda Ridgeline 2005-2010* 1**

***Kit Assembly*2, 3, 4**

***Final Assembly* 5**

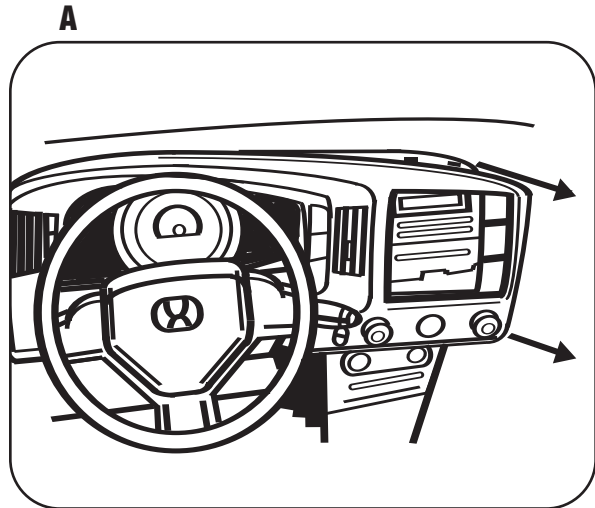


KNOWLEDGE IS POWER

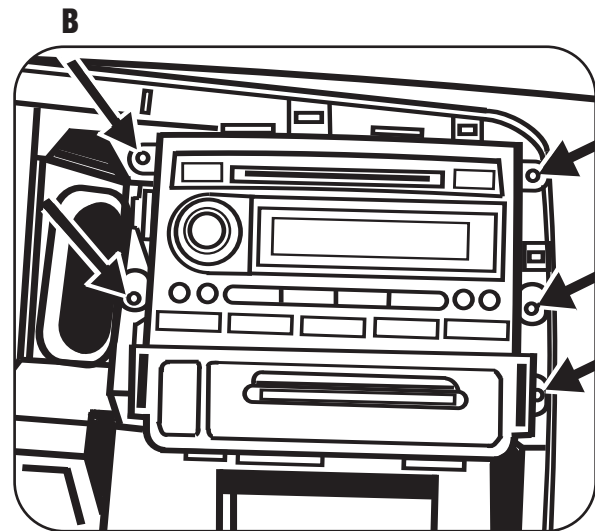
Enhance your installation and customization skills by applying the most advanced and requested mobile electronics trends in our industry. Log onto www.metradirect.com or call 800-899-8777 for more information and take steps toward a better tomorrow.

HONDA RIDGELINE 2005-2010

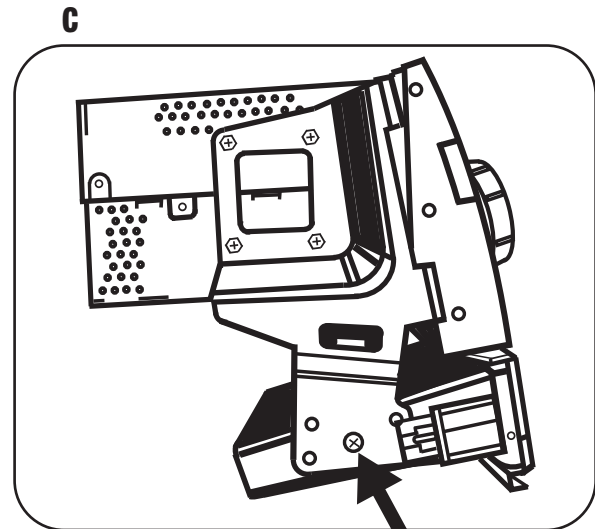
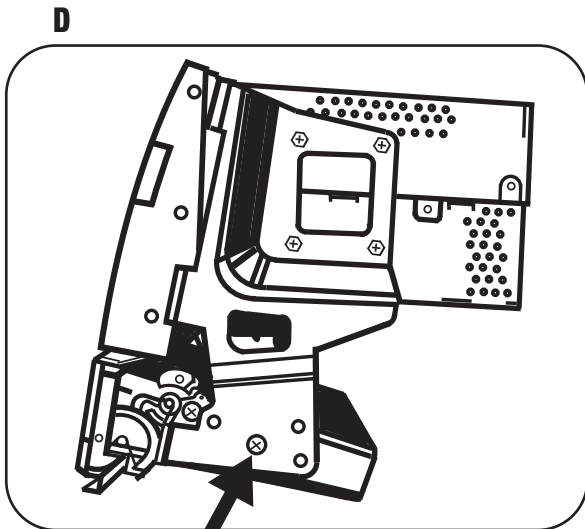
- 1** Disconnect the negative battery terminal to prevent an accidental short circuit.
- 2** Unclip and remove entire panel surrounding radio and a/c control all the way over to left side of steering wheel. (Figure A)



- 3** Remove (5) Phillips screws securing the radio and pocket assembly. (Figure B)

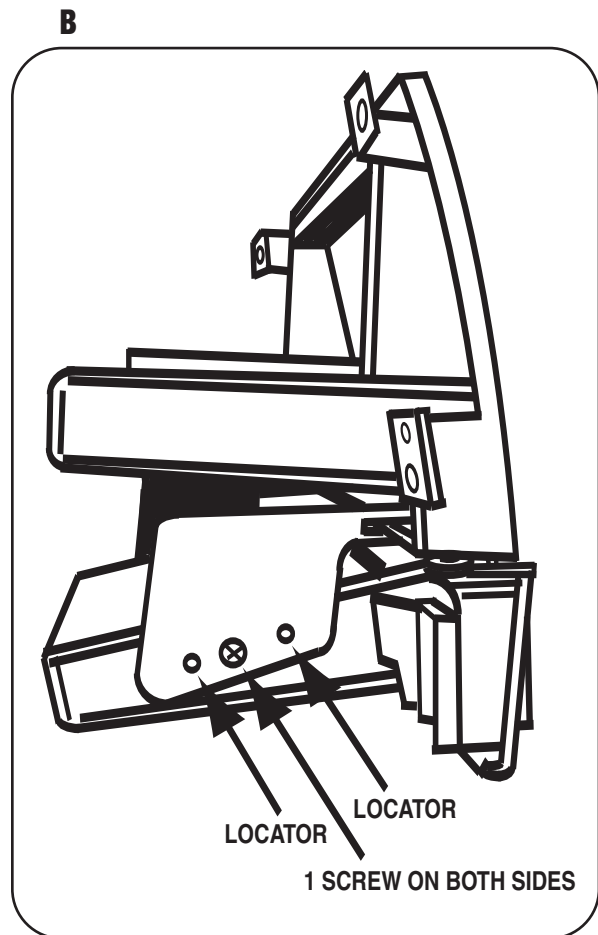
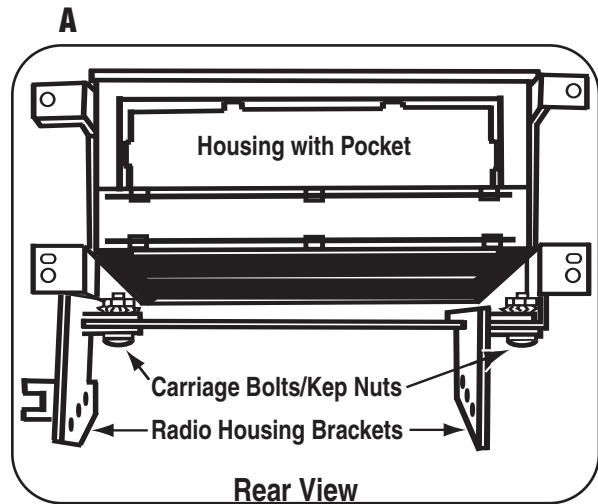


- 4** Remove (2) Phillips screws (1 per side) securing factory pocket to radio/pocket bracket assembly. (Figure C, D)



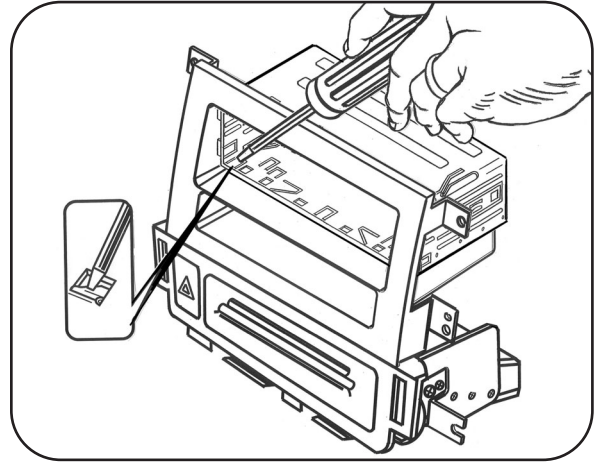
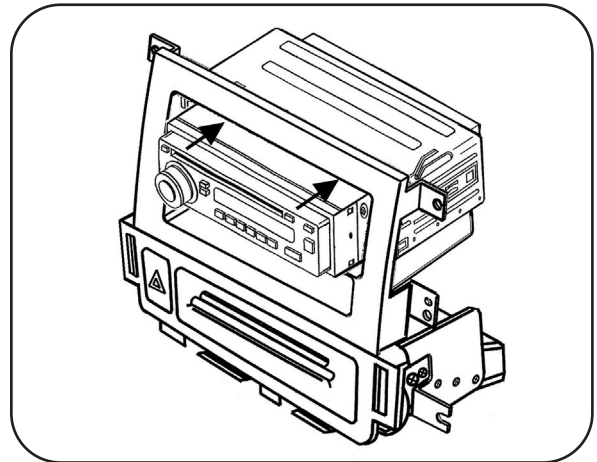
HONDA RIDGELINE 2005-2010

- 1** Attach the corresponding radio housing bracket to the radio housing using the included carriage bolts and keps. (Figure A)
- 2** Position the factory pocket into the assembled radio housing assembly and secure with the factory hardware. (Figure B)



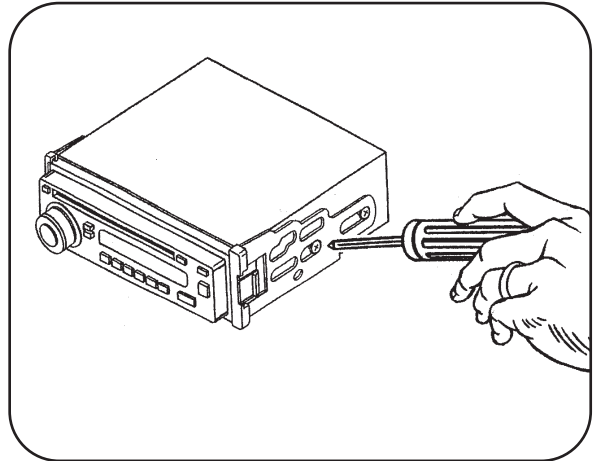
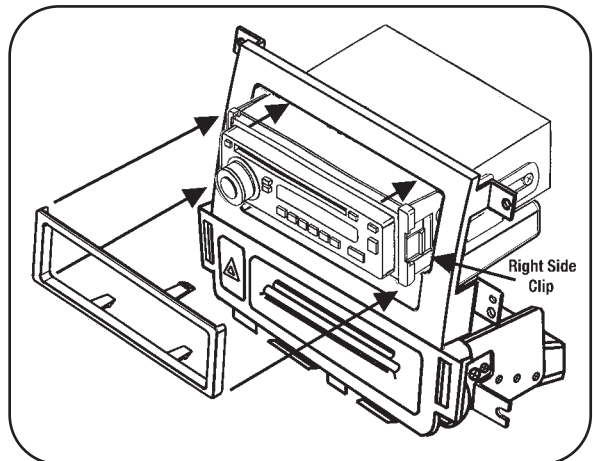
HONDA RIDGELINE 2005-2010 **DIN HEAD UNIT PROVISION**

- 1** Slide the DIN cage into the Radio Housing and secure by bending the metal locking tabs down. (Figure A)
- 2** Slide the aftermarket head unit into the cage and secure. (Figure B)

A**B**

HONDA RIDGELINE 2005-2010 **ISO DIN HEAD UNIT PROVISION**

- 1** Mount the ISO Brackets to the head unit with the screws supplied with the unit. (Figure A)
- 2** Slide the head unit into the radio opening until the side clips engage. (Figure B)
- 3** Snap the trim plate into the Radio Housing. (Figure B)

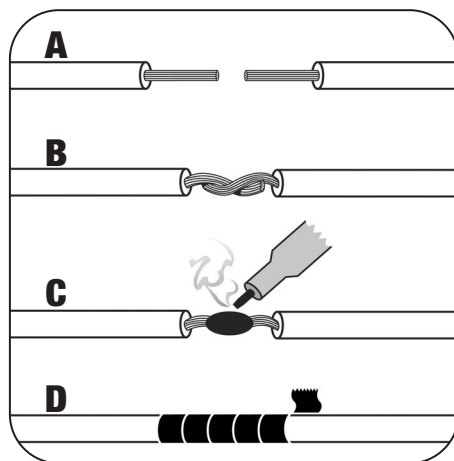
A**B**

FINAL ASSEMBLY

- 1 Locate the factory wiring harness in the dash and make the connection as shown. Metra recommends using the proper mating adapter and making the connections as shown. (Isolate and individually tape off the ends of any unused wires to prevent electrical short circuit.)
- 2 Re-connect the negative battery terminal and test the unit for proper operation.
- 3 Reassemble radio and dash assemblies in reverse order of disassembly.

FINAL WIRING CONNECTIONS

Make wiring connections using the EIA color code chart shown below and the instructions included with the head unit. Metra recommends making connections as shown below; Strip, Splice, Solder, Tape. Isolate and individually tape off ends of any unused wires to prevent electrical short circuit.



- A) Strip wire ends back 1/2"**
- B) Twist ends together**
- C) Solder**
- D) Tape**

METRA / EIA WIRING CODE

12V Ignition / Acc . . . Red	Right Front (+) Gray
12V Batt / Memory . . Yellow	Right Front (-) Gray / Black
Ground Black*	Left Front (+) White
Power Antenna Blue	Left Front (-) White / Black
Amp Turn-On Blue / White	Right Rear (+) Violet
Amp Ground Black / White	Right Rear (-) Violet / Black
Illumination Orange	Left Rear (+) Green
Dimmer Orange / White	Left Rear (-) Green / Black

***NOTE:** When Black a wire is not present, ground radio to vehicle chassis.

All colors may not be present on all leads due to manufacturer's specifications.

99-7870 INSTRUCTIONS



1-800-221-0932



www.metraonline.com

REV. 04/21/10

© COPYRIGHT 2004-2010 METRA ELECTRONICS CORPORATION

INST99-7870