

Professional 2 Channel Stereo Mixer

OPERATIONS MANUAL
BEDIENUNGSHANDBUCH
MANUAL DEL OPERADOR
MANUEL D'INSTRUCTIONS



02



MULTI LANGUAGE INSTRUCTIONS

ENGLISH.....PAGE 4
 DEUTSCH.....PAGE 6
 ESPAÑOL.....PAGE 7
 FRANCAIS.....PAGE 8

PLEASE READ BEFORE USING APPLIANCE, IMPORTANT WARNING & SAFETY INSTRUCTIONS!



U N C A O T I
RISK OF ELECTRICAL SHOCK DO NOT OPEN!



CAUTION:

READ INSTRUCTIONS:

RETAIN INSTRUCTIONS:

HEED WARNINGS:

FOLLOW INSTRUCTIONS:

CLEANING:

ATTACHMENTS:

WATER AND MOISTURE:

ACCESSORIES:

CART:

Figure A

VENTILATION:

POWER SOURCES:

LOCATION:

NON-USE PERIODS:

GROUNDING OR POLARIZATION:

POWER-CORD PROTECTION:

OUTDOOR ANTENNA GROUNDING:

Figure B

LIGHTNING:

POWER LINES:

OVERLOADING:

OBJECT AND LIQUID ENTRY:

SERVICING:

DAMAGE REQUIRING SERVICE:

REPLACEMENT PARTS:

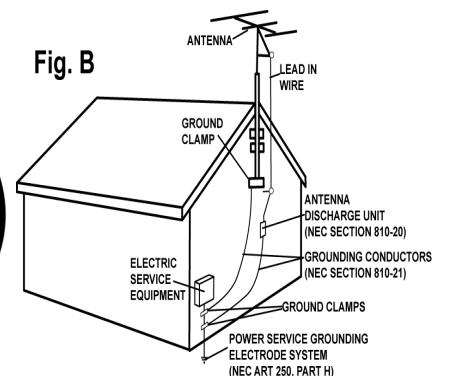
SAFETY CHECK:

WALL OR CEILING MOUNTING:

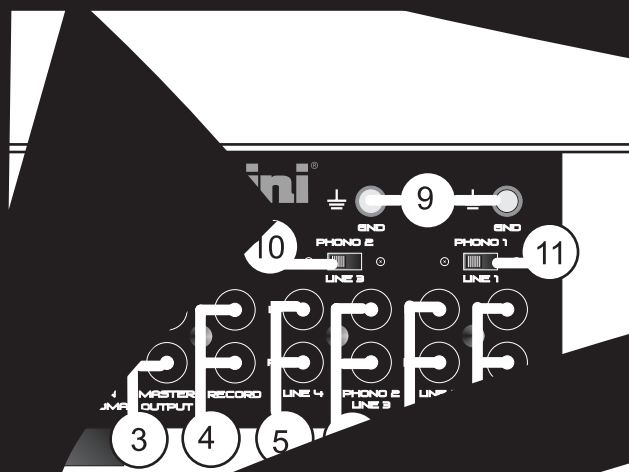
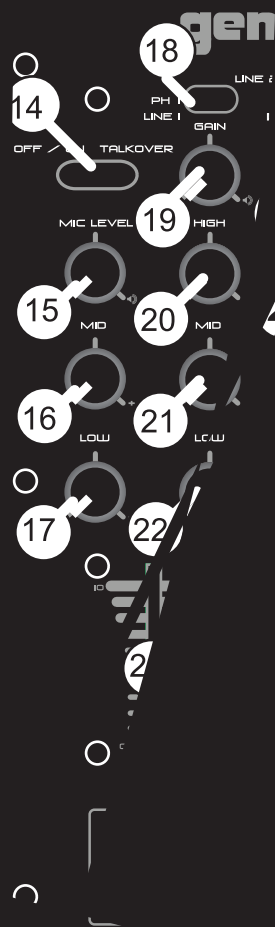
HEAT:



Fig. A



NEC — NATIONAL ELECTRICAL CODE



INTRODUCTION:

OPERATIONS:

Gemini MX-02 2 channel

mixer.

FEATURES:

CAUTIONS:

In the USA ~ if you experience problems with this unit call Gemini Customer Service at: 1 (732) 738-9003. Do not attempt to return this equipment to your dealer.

**DO NOT EXPOSE THIS UNIT TO RAIN OR MOISTURE
DO NOT USE ANY SPRAY CLEANER OR LUBRICANT
ON ANY CONTROLS OR SWITCHES**

CONNECTIONS:

AC IN.

POWER SWITCH

MX-02 2
MASTER

RECORD

2 PHONO(PH)/LINE(LN) CON-
VERTIBLE RCA INPUTS
2 LINE RCA INPUTS

Channel (CH) 1 CH.

PH LN
CONVERTER(S)
LEFT PH 1 PH.2 RIGHT
LN 1 LN 3 PH INPUTS

DUAL GROUNDING SCREWS

MX-02

CONVERTER SWITCHES

LN.

INPUTS CD DAT
MiniDisc etc.

NOTE: WHEN USING TURNTABLES, NOT ATTACHING A GROUND MAY CAUSE A SYSTEM "HUM."

HEADPHONE JACK

MIC 1.

1/4"

1/4"

POWER SWITCH
CHANNEL 1: PROGRAM OUTPUT
PGM.
LN SWITCH PH1/LN 1 LN 2
CH 1 SLIDE CONTROL

GAIN HIGH MID. LOW
CH 1 SLIDE CONTROL

CHANNEL 2: PGM.
LN SWITCH
PH2/LN 3 LN 4
CH 2 SLIDE CONTROL

GAIN HIGH MID. LOW CH.
2 SLIDE CONTROL

CUE: HEADPHONE

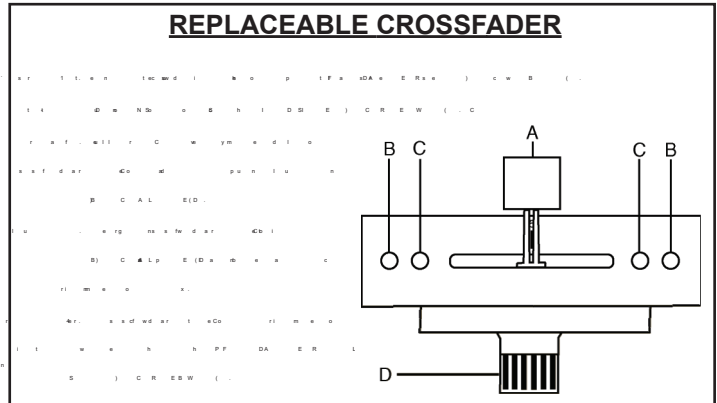
CUE LEVEL

CUE FADER CON-
TROL LEFT. CH 1

RIGHT. CH 2
SPLIT/MIX

SWITCH LEFT SPLIT. RIGHT
MIX

CROSSFADER SECTION: CROSSFADER
CROSSFADER



OUTPUT SELECTION CONTROL:

MASTER. MIC SECTION: MIC 1 1/4" INPUT
MID

LOW. MIC 1 MIC
1 MID. LOW MIC 1
1 LEVEL MIC 1

TALKOVER: TALKOVER MODE

TALKOVER SWITCH 3

TALKOVER SWITCH. LEFT

TALKOVER MODE OFF

TALKOVER SWITCH. CENTER

TALKOVER MODE ON, 16 dB. MIC 1

TALKOVER SWITCH. RIGHT

AUTO TALKOVER MODE ON 16 dB

VU METER: VU.METER
PROGRAM OUTPUT (PGM)

SPECIFICATIONS:

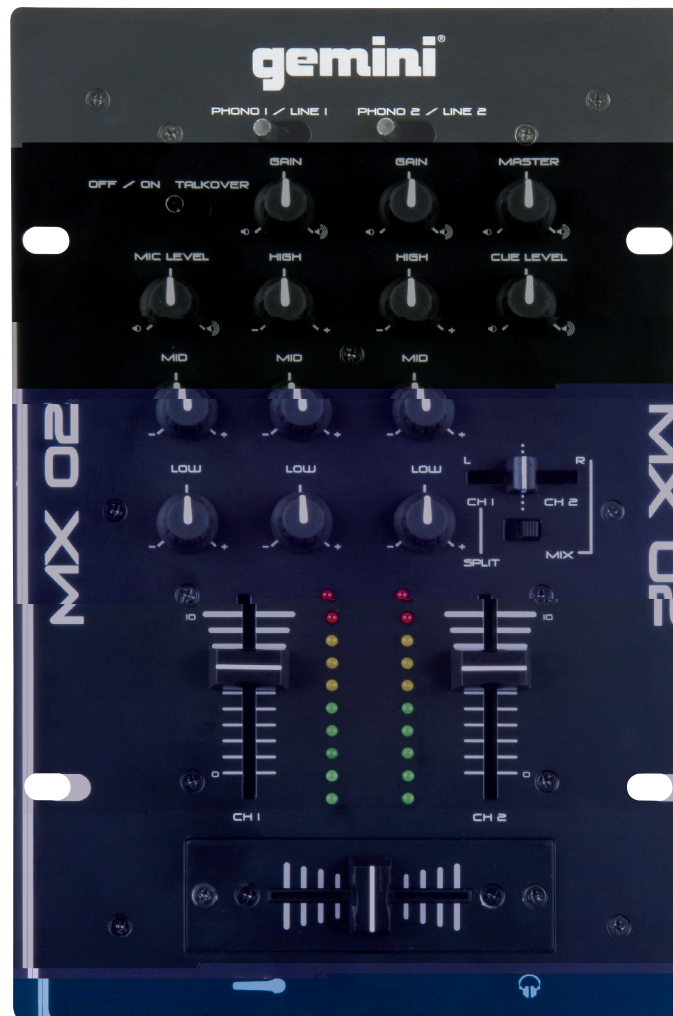
INPUTS:

OUTPUTS:

GENERAL:



SPECIFICATIONS AND DESIGNS ARE SUBJECT TO CHANGE WITHOUT NOTICE FOR THE PURPOSE OF IMPROVEMENT.



EINLEITUNG:

MX-02 2-Kanal Mixer

GEMINI

AUSSTATTUNG:

VORSICHTSMAßNAHMEN:

DIESES GERÄT NICHT REGEN ODER FEUCHTIGKEIT AUSSETZEN
AN DEN REGLERN ODER SCHALTERN KEIN SPRAY-REINIGUNGSMITTEL ODER SCHMIERMITTEL BENUTZEN
ANSCHLÜSSE:

AC IN

Ein/Aus-Schalter

MX-02

MASTER OUTPUT

RECORD OUTPUT

PH/LN

umschaltbare Schalter

Cincheingänge

Lineeingänge

Kanal 2

Kanal 1

Ground screws

CD-Player, Dat, Mini

Disc

BEDIENUNG:

Ein-

Ausgänge

MX-02

Kanal 1:

PH1/LN1

LN

Gaindrehregler

HIGH
Kanalfader

MID

LOW

Kanal 2:

Schalter

PH2/LN3

LN 4

Gaindrehregler

HIGH MID LOW
Kanalfader

CUE:
PHONE

HEAD-

Cue Level.

CUE

Fader

Kanal 1

Split/Mix

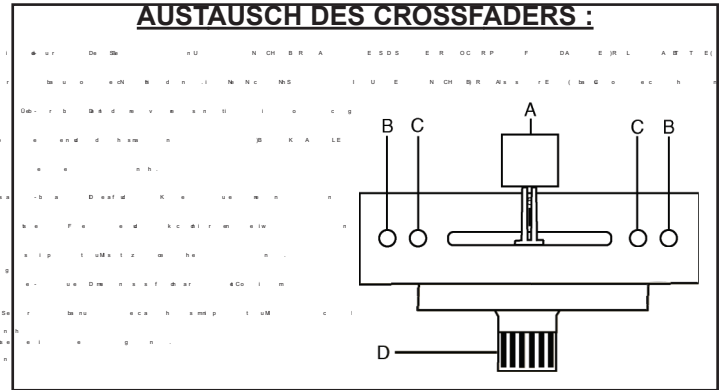
Crossfader

Sektion:

Crossfader

Crossfader

AUSTAUSCH DES CROSSFADERS :



AUSGANGSSEKTION:

MAS-

TER OUTPUT

MIC SEKTION:

MIC

1

MIC 1

Mid

Low

TALKOVER:

MIC/TALKOVER

MIC 1

MIC/TALKOVER

MIC 1 TALKOVER

MIC/TALKOVER

MITTLEREN

MIC 1 EINGESCHALTET.

TALKOVER

16 dB.

MIC/TALKOVER

MIC 1 TALKOVER

16 dB.

MIC-Eingänge

Eingangssignale

MIC1

VU METER:

VU Meter

MASTEROUTPUT

TECHNISCHE DATEN:

EINGÄNGE:

AUSGÄNGE:

ALLGEMEIN:

Änderungen von Design und Daten vorbehalten.

INTRODUCCIÓN:

MX-02 2 canales Gemini

CARACTERÍSTICAS:

PRECAUCIONES:

En los EE.UU., si Ud tiene problemas con el aparato, por favor llame al Servicio Post-Venta al 1-732-738-9003. No devuelva el aparato a la tienda donde lo compró.

NO DEJE ESTA UNIDAD EXPUESTA A LLUVIA O HUMEDAD
NO USE LIMPIADORES DE SPRAY O LUBRICANTES EN CUALQUIERA DE LOS CONTROLES O INTERRUPTORES

CONEXIONES:

AC IN

MX-02
MASTER OUTPUT
RECORD OUTPUT

Phono/Línea 2 RCA línea LN
 RCA canal CN 1
 Phono Línea PH1 PH2

LN1 LN3

TORNILLOS DE MASA

MX-02
 CD, DAT, MiniDisc, etc

NOTA: AL USAR GIRADISCOS, EL NO CONECTAR LA TOMA DE MASA PUEDE CAUSAR ZUMBIDOS.

HEADPHONE JACK
 MIC 1

MODO DE EMPLEO:

CN 1: interruptor general PGM

PH1/LN1 LN 2 canal

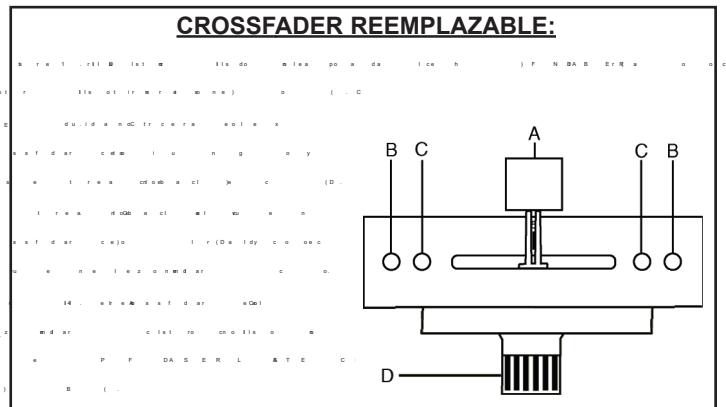
MID canal CN 2: PGM control
 LOW
 GAIN HIGH fader de programa
 PH2/LN3 LN 4 fader de canal

MID canal CUE:
 LOW
 GAIN HIGH fader de HEADPHONE
 CUE

CN1 CN2
 SPLIT MIX
 SPLIT CUE MIX

MIX
SECCIÓN CROSS FADER: CROSS FADER CROSS FADER

CONTROL DE SALIDA:
 MASTER



SECCIÓN MICRO: MIC 1
 LOW MIC1 MID control
 de volumen MIC1
TALKOVER: TALKOVER

TALKOVER

TALKOVER

16 dB

TALKOVER

MIC 1 16 dB
 MIC 1

VU METER: VU Meter

ESPECIFICACIONES:

ENTRADAS:

SALIDAS:

GENERAL:

LAS ESPECIFICACIONES Y DISEÑOS ESTÁN SUJETOS A CAMBIOS SIN PREVIO AVISO CON PROPOSITO DE MEJORA.

INTRODUCTION:

GEMINI MX-02 console de mixage

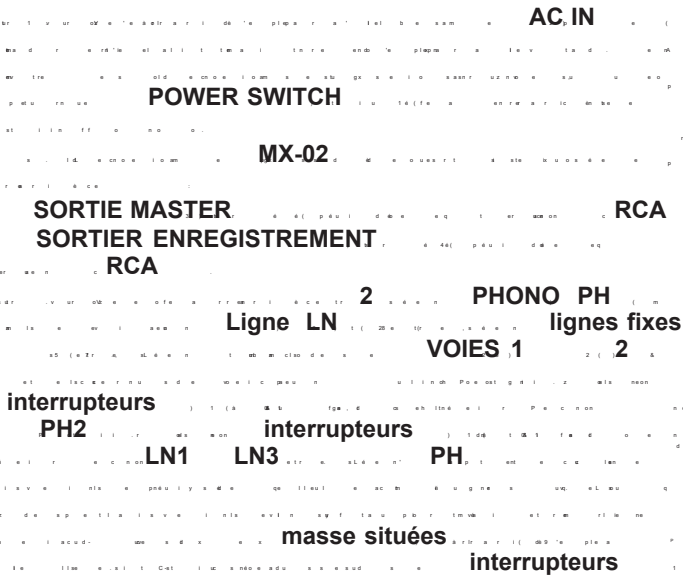
CARACTERISTIQUES:

ATTENTION:

En cas de problème merci de contacter votre revendeur ou le service technique de votre pays (France: +33 1 69 79 97 79).

NE PAS EXPOSER CET APPAREIL A LA PLUIE ET L'HUMIDITE
NE PAS UTILISER DE SPRAY NETTOYANT, NI DE LUBRIFIANT, SUR L'ENSEMBLE DES BOUTONS ET INTERRUPTEURS

CONNECTIONS:



CD/DVD/MP3, DAT, MiniDisc, etc
ATTENTION: NE PAS RELIER LA MASSE DES PLATINES VINYLES PROVOQUERA UN "BOURDONNEMENT" DÉSAGRÉABLE.

HEADPHONE JACK
MIC 1

INSTRUCTIONS D'UTILISATION:

SWITCH LED POWER

VOIE 1: mutateur PH1/LN1 com-LN2 l'aide du fader

GAIN AIGU MEDIUM GRAVE Voie1

VOIE 2 PH2/LN3 LN4 VOIE 2

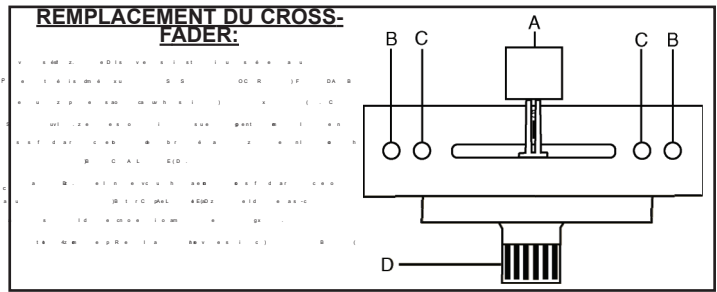
GAIN AIGU MEDIUM GRAVE VOIE 2

PRÉÉCOUTE CASQUE: HEADPHONE

CUE

CUE

Split/Mix CROSSFADER SECTION: CROSSFADER



REGLAGE DU NIVEAU DE SORTIE: MASTER

SECTION MICRO: MIC 1 MEDIUM GRAVE

TALKOVER: Cette fonction -16dB

TALKOVER TALKOVER TALKOVER TALKOVER 16 dB TALKOVER

AUTO TALKOVER MIC 1 16 dB MIC 1 VU METRE: VU METRE

CARACTERISTIQUES TECHNIQUES:

ENTREES:

NIVEAU DE SORTIE:

GENERAL:

DANS LE CADRE D'UN SOUCI CONSTANT D'AMÉLIORATION DE NOS PRODUITS, LES SPECIFICATIONS TECHNIQUES PEUVENT ÊTRE MODIFIÉES SANS PRÉAVIS.

NOTES

NOTES

NOTES

gemini®

IN THE USA: IF YOU EXPERIENCE PROBLEMS WITH THIS UNIT, CALL 1-732-738-9003 FOR GEMINI CUSTOMER SERVICE. DO NOT ATTEMPT TO RETURN THIS EQUIPMENT TO YOUR DEALER.

Pr t as ft d es del ftk sppim d o tu h abom p r o at ty e be o r ed i d ip teo awt se n
fr t a m to s i no n e mu s i s h i s b n g i t e a c b e d i n t h u t w i d n e d o e n e t o n o
p r e s b e a n t m m c o m t p e r a m o f t h v e d o e h n e i s m d g n p d o n u s o c
r p a a l l t o c b s k e a i d r e a i s a d n d y e o a m o e t a g v m e r e a d e l o r f t i n g m e o
k u f e f r t a o m r o a r n o r e o n t y a i d o e d i o m i n a m u a l m p o r t a f f e i x o m h n
u a l a b m r p e r d y u d e r o d c e l t r a t o v e n e a k s e r t m y a s t t o d m e l a n n y
r r b m o a o p e m y t t e m i i t o e n o l e a l c e m e l a l p t o s h i a d o e d i a m c h c
l d u l p n t o n p g i d o a c r o n y g e n i f r c o m g r p v o m y t e l t b u w p e r d e s s e h x
r t t i p a r w e s s e m t f n e i s m d g n p d o n u s r p o t c s r i d c l e l e a d t o e t w h
a l l b i m e a e d e s e r v c e k e s p i r c d n o t u s h p i r o f r e c d b e o e i s m y d o n a n
p d t u s r p o r c t i l i d i a v r o z i d e a t e n s e g n e i s m d g n p d o n u s r p o c t i d c l w
l a p t e b i a t e t r i s x r y d o a o a m o a s u d g b e c b i m e a n r e e p n r a d i r o e
r d b e m e u t a u r z y a d p e r s o m t e n o n



**Worldwide Headquarters • 120 Clover Place, Edison, NJ 08837 • USA
Tel: (732) 738-9003 • Fax: (732) 738-9006**

r a e F n e k r i m a o n x s p r e c i d o l e w t e f t i s a p r a d e t h e l e c a e t m n e n 1 j t . 9 u d a m g r a e f a c
1 4 3 3 E : 1 7 9 7 a 7 9 3 3 0 F o x 1 7 9 8 7 9 9 0
r a a m G n e i s m d g n p d o n u s b o m b i o e r H - L e g a u t 3 R B - 8 r o a b r . 5 6 7 1 e r K e a m . 0 a y
1 e 3 8 3 : 1 0 5 1 7 4 9 3 - 0 F 8 3 x 1 0 5 1 7 - 9 9
U x i s m - K d g n p d o n u s U t o i c i x n a t i A e C d h s u n o t a a s B a P e E U s 1 . 0 0 1 4 9 1 1 W U e o o . K
1 e 8 T : 8 7 0 7 8 0 8 x 0 0 - 0 F 8 x 8 7 0 7 0 0 0 9 9 0
e a l e n i s m - d g n p d o n u s S o c s . 1 1 e A 6 R 8 5 1 6 8 . r a . 0 0 4 0 a b c a n o . n
1 8 3 3 T : 4 4 8 5 x 1 0 0 4 3 - 8 x 4 - 6 9 4 7 1 9

© Gemini Sound Products Corp. 2004 All Rights Reserved.