

CRATE

KXB15 Keyboard Amplifier



User's Guide



KXB15 Keyboard Amplifier



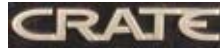
Congratulations!

You are now the proud owner of the Crate KXB15 keyboard amplifier. This compact powerhouse offers warm clean tones and easy-to-use equalization. Each of the two input jacks has its own level control so you can mix your keyboard with another instrument or a Hi-Z vocal mic. The CD input also allows you to play along with your favorite music. The Headphone jack allows for private practicing and the external speaker jack allows you to connect the amp to another speaker cabinet.

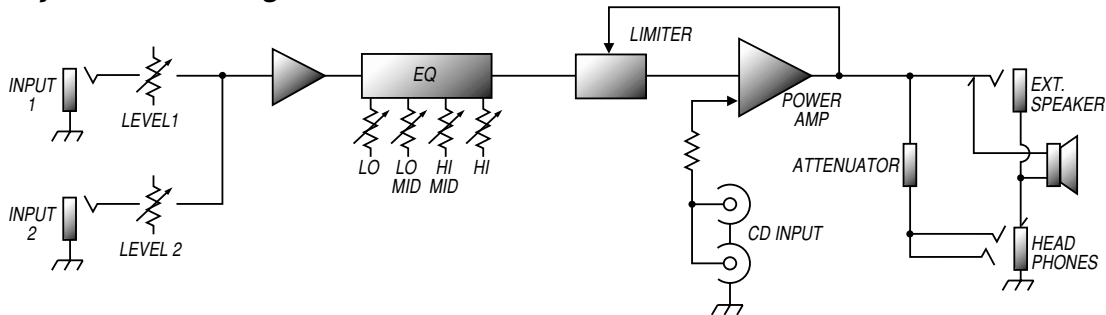
Like all Crate products, your KXB15 is designed by musicians, and built using only the best components. Extensive testing at the hands (and ears) of skilled technicians and musicians insures you that this amplifier is the absolute best it can be.

In order to get the most out of your new amplifier, we strongly urge you to go over the information contained in this manual before you begin playing.

And **thank you** for choosing



System Block Diagram:



	CAUTION RISK OF ELECTRIC SHOCK DO NOT OPEN	
<small>WARNING: TO REDUCE THE RISK OF FIRE OR ELECTRIC SHOCK, DO NOT EXPOSE THIS APPARATUS TO RAIN OR MOISTURE. TO REDUCE THE RISK OF ELECTRIC SHOCK, DO NOT REMOVE COVER. NO USER-SERVICEABLE PARTS INSIDE. REFER SERVICING TO QUALIFIED SERVICE PERSONNEL.</small>		

	PRECAUCION RIESGO DE CORRIENTAZO NO ABRA	
<small>PRECAUCION: PARA REDUCIR EL RIESGO DE INCENDIOS O DESCARGAS ELECTRICAS, NO PERMITA QUE ESTE APARATO QUEDE EXPUESTO A LA LLUVIA O LA HUMEDAD. PARA DISMINUIR EL RIESGO DE CORRIENTAZO, NO ABRA LA CUBIERTA. NO HAY PIEZAS ADENTRO QUE EL USUARIO PUEDA REPARAR DE JE TODO MANTENIMIENTO A LOS TECNICOS CALIFICADOS.</small>		

	ATTENTION RISQUE D'ELECTROCUTION NE PAS OUVRIR	
<small>ATTENTION: PROTEGEZ CET APPAREIL DE LA PLUIE ET DE L'HUMIDITE AFIN D'EVITER TOUT RISQUE D'INCENDIE OU D'ELECTROCUTION. POUR REDUIRE D'ELECTROCUTION NE PAS ENLEVER LE COUVERCLE. AUCUNE PIECE INTERNE N'EST REPARABLE PAR L'UTILISATEUR. POUR TOUTE REPARATION, S'ADRESSER A UN TECHNICIEN QUALIFIE.</small>		

IMPORTANT SAFETY INSTRUCTIONS

- READ, FOLLOW, HEED, AND KEEP ALL INSTRUCTIONS AND WARNINGS.
- DO NOT OPERATE NEAR ANY HEAT SOURCE AND DO NOT BLOCK ANY VENTILATION OPENINGS ON THIS APPARATUS. FOR PROPER OPERATION, THIS UNIT REQUIRES 3" (75mm) OF WELL VENTILATED SPACE AROUND HEATSINKS AND OTHER AIR FLOW PROVISIONS IN THE CABINET.
- DO NOT USE THIS APPARATUS NEAR SPLASHING, FALLING, SPRAYING, OR STANDING LIQUIDS.
- CLEAN ONLY WITH LINT-FREE DAMP CLOTH AND DO NOT USE CLEANING AGENTS.
- ONLY CONNECT POWER CORD TO A POLARIZED, SAFETY GROUNDED OUTLET WIRED TO CURRENT ELECTRICAL CODES AND COMPATIBLE WITH VOLTAGE, POWER, AND FREQUENCY REQUIREMENTS STATED ON THE REAR PANEL OF THE APPARATUS.
- PROTECT THE POWER CORD FROM DAMAGE DUE TO BEING WALKED ON, PINCHED, OR STRAINED.
- UNPLUG THE APPARATUS DURING LIGHTNING STORMS OR WHEN UNUSED FOR LONG PERIODS OF TIME.
- ONLY USE ATTACHMENTS, ACCESSORIES, STANDS, OR BRACKETS SPECIFIED BY THE MANUFACTURER FOR SAFE OPERATION AND TO AVOID INJURY.
- WARNING: TO REDUCE THE RISK OF ELECTRIC SHOCK OR FIRE, DO NOT EXPOSE THIS UNIT TO RAIN OR MOISTURE.
- SERVICE MUST BE PERFORMED BY QUALIFIED PERSONNEL.
- OUR AMPLIFIERS ARE CAPABLE OF PRODUCING HIGH SOUND PRESSURE LEVELS. CONTINUED EXPOSURE TO HIGH SOUND PRESSURE LEVELS CAN CAUSE PERMANENT HEARING IMPAIRMENT OR LOSS. USER CAUTION IS ADVISED AND EAR PROTECTION IS RECOMMENDED IF UNIT IS OPERATED AT HIGH VOLUME.

EXPLANATION OF GRAPHICAL SYMBOLS:

EXPLICACION DE SIMBOLOS GRAFICOS:

EXPLICATION DES SYMBOLES GRAPHIQUES:



"DANGEROUS VOLTAGE"

"VOLTAJE PELIGROSO"

"DANGER HAUTE TENSION"



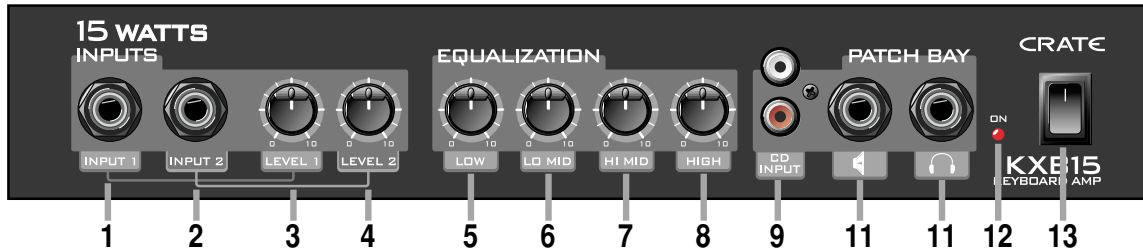
"IT IS NECESSARY FOR THE USER TO REFER TO THE INSTRUCTION MANUAL"

"ES NECESARIO QUE EL USUARIO SE REFIERA AL MANUAL DE INSTRUCCIONES."

"REFERREZ-VOUS AU MANUAL D'UTILISATION"

CRATE

KXB15 Keyboard Amplifier



1. INPUT 1: Use this 1/4" jack to connect your keyboard or other line level signal to the amplifier by means of a shielded instrument cable. The signal level at this jack is controlled by the Level 1 knob (#3).

2. INPUT 2: Use this 1/4" jack to connect your keyboard or other line level signal to the amplifier by means of a shielded instrument cable. The signal level at this jack is controlled by the Level 2 knob (#4).

3. LEVEL 1: Use this control to adjust the level of the signal connected to the Input 1 jack (#1).

4. LEVEL 2: Use this control to adjust the level of the signal connected to the Input 2 jack (#2).

5. LOW: Use this control to adjust the bass response of the amplifier. Rotating the control counterclockwise reduces the low frequency output. Rotating the control clockwise increases the low frequency output. It may be necessary to reduce the Low frequency output at higher volume levels.

6. LO MID: Use this control to adjust the "thickness" or "fatness" of the amplifier. Rotating the control counterclockwise reduces the lower midrange frequency output. Rotating the control clockwise increases the lower midrange frequency output.

7. HI MID: Use this control to adjust the clarity and definition of the amplifier. Rotating the control counterclockwise reduces the upper midrange frequency output. Rotating the control clockwise increases the upper midrange frequency output.

8. HIGH: Use this control to adjust the high frequency response of the amplifier. Rotating the control counterclockwise reduces the high frequency output. Rotating the control clockwise increases the high frequency output.

9. CD INPUT: Use these RCA jacks to connect the output from a CD player or tape deck to the amplifier. The signal at these jacks is combined into a mono signal which is sent to the internal power amp circuit. Use the CD or tape player's output level control to adjust the signal for the proper mix with your instrument.

10. (EXTERNAL SPEAKER): Use this jack to connect the amplifier to an external speaker. The internal speaker is disconnected when this jack is used. The impedance of the external speaker must be 4 ohms or greater.

WARNING: Do not attempt to use headphones in the Speaker jack! Permanent hearing damage could result!

11. (HEADPHONES): Use this jack to connect headphones to the amplifier. The internal speaker is disconnected when this jack is used. A line level signal can also be obtained from this jack for recording, etc.

CAUTION: To avoid possible damage to your hearing, do not use headphones for extended periods of time at extremely loud levels.

12. ON: This LED illuminates when the amplifier is turned on.

13. POWER: Use this switch to turn the amplifier on (top of the switch depressed) and off (bottom of the switch depressed).

14. POWER CORD (rear panel, not shown): The grounded power cord should only be plugged into a grounded power outlet that meets all applicable electrical codes and is compatible with the voltage, power, and frequency requirements stated on the rear panel. **Do not attempt to defeat the safety ground connection.**



KXB15 Keyboard Amplifier

KXB15 TECHNICAL SPECIFICATIONS:

Maximum Input Signal Level Accepted	15 volts peak to peak
load – 120 VAC line	
Low Control	15dB Range @ 50Hz
Low Mid Control	12dB Range @ 250Hz
High Mid Control	13dB Range @ 1kHz
High Control	27dB Range @ 10kHz
Input Power Requirements	120 VAC, 60Hz, 30VA 100/110 VAC, 50/60Hz, 30VA 230 VAC, 50/60Hz, 30VA
Speaker Size and Rating	Crate Custom Design 8", 15 watts
Cabinet Size and Weight	14" H x 15" W x 12-1/2" D, 19 lbs.

Declaration of Conformity

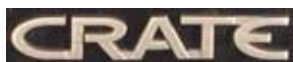
Manufacturer's Name: SLM Electronics
Corporate Headquarters: 1901 Congressional Drive, St. Louis, Missouri 63146
Primary Production Facility: 700 Hwy 202 W, Yellville, Arkansas, 72687

Product Type: Audio Amplifier

Products meet the regulations for compliance marking under:

ETL standards UL6500, UL60065, or UL813
CSA standards E60065 or C22.2 No.1-M90
CE safety standard EN60065
CE EMC standards EN55103 or EN55013 and EN61000
C-tick designation Level 2, ABN #56748810738, ARBN# N222
KETI standard K60065 (limited model approval)

Compliance Support Contact: SLM Electronics, Attn: R&D Compliance Engineer
1901 Congressional Drive, St Louis, Missouri, 63146 • Tel.: 314-569-0141, Fax: 314-569-0175



www.crateamps.com



©2004 SLM ELECTRONICS, A DIVISION OF ST. LOUIS MUSIC, 1400 FERGUSON, ST. LOUIS, MO. U.S.A. 63133
P/N 47-716-01 •091404