

PEDAL TIMPANI
PEDALPAUKE
TIMBALE À PÉDALE
TIMBAL DE PEDAI

TP-3000 Series

TP-3023 / 3026 / 3029 / 3032

TP-3000G Series

TP-3023G / 3026G / 3029G / 3032G

Owner's Manual
Bedienungsanleitung
Mode d'emploi
Manual de Instrucciones

ENGLISH

DEUTSCH

FRANÇAIS

ESPAÑOL



 **YAMAHA**

Thank you for purchasing a Yamaha Timpani.

Please read through this manual carefully as it contains important information about your instrument's care.

Before using your timpani for the first time be sure to carefully read the instructions on "Initial Preparation" pages 3 and 4.

Contents

Precautions	1
Nomenclature & Lubrication	2
Initial Preparation	3
Adjusting the Pitch	5
Head Tuning	5
Pedal Adjustment	6
Tuning Indicator Adjustment	7
Transport and Setting Up	8
Setting Up	8
Adjusting the Height	9
Transporting	10
Storing	10
Replacing the Head	11

Precautions

Always use the timpani in a safe manner.

In order to prevent damage or injury, we urge you to carefully read and follow the instructions listed below.

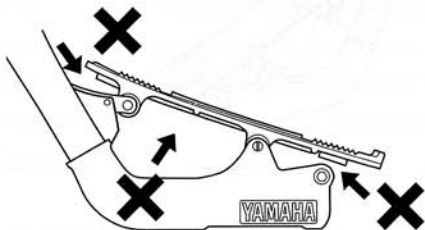
In the case of use by young children, we recommend proper guidance be given by a knowledgeable adult.

Disregarding these warnings or misuse may result in death or personal injury.

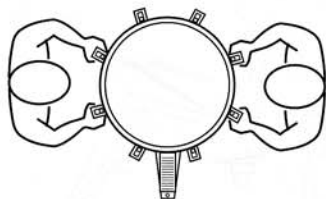


Warnings

- Never lean on or climb on the instrument. It may overturn resulting in damage or injury.
- Be careful around the instrument. Bumping into it may result in injury or cause it to overturn. Keep small children away from the instrument.
- Never put your hands or feet under the pedal of the timpani.



- When rolling the timpani on its casters, grip it by its frame and move it only on smooth, flat surfaces.
 1. Do not move on sloping, rough, or gravel surfaces.
 2. Do not run with the timpani. It may be difficult to stop the instrument which can cause injury or damage.
- If the timpani must be carried, do so with two or more persons, making sure to grip the timpani by its frame.



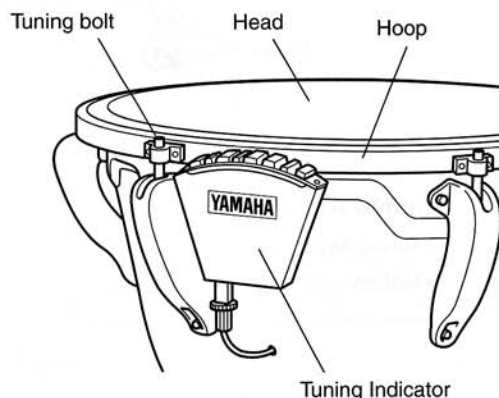
The weight of the timpani is shown in the chart below.

TP-3023: 19 kg (41.9 lbs) TP-3026: 21 kg (46.3 lbs)
TP-3029: 23 kg (50.7 lbs) TP-3032: 25 kg (55.1 lbs)



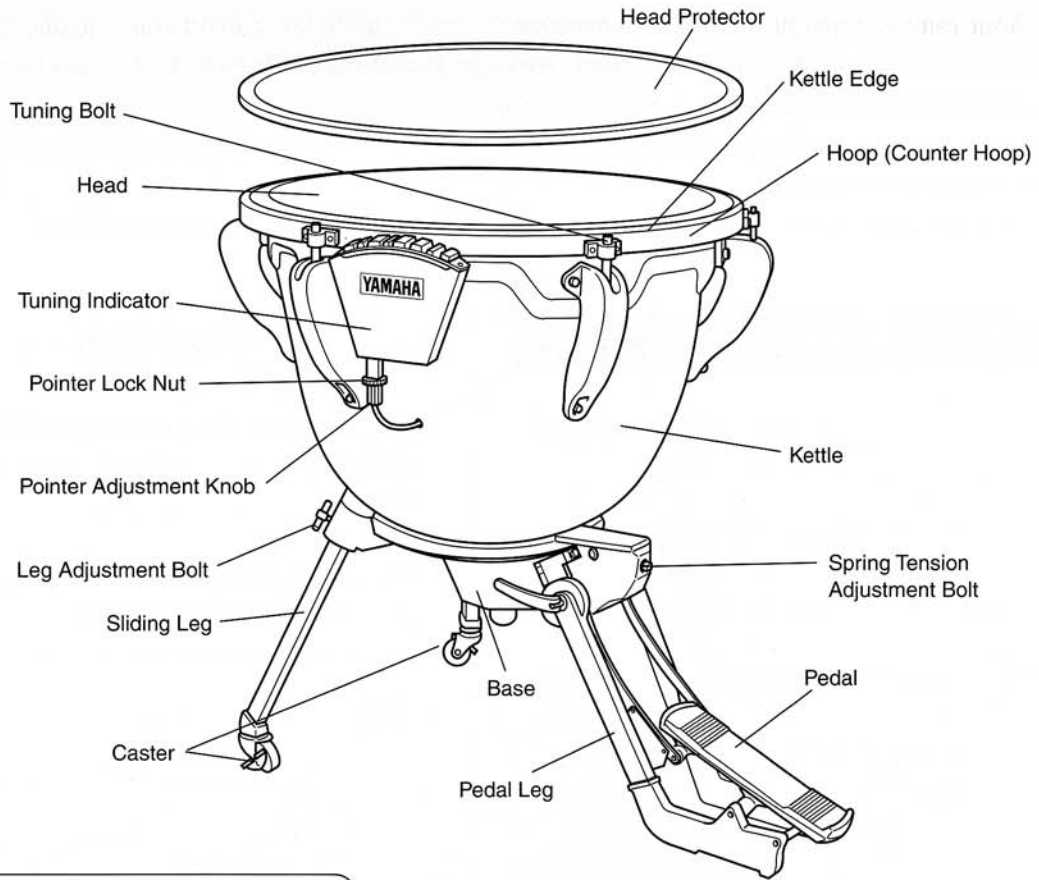
Caution

- Replace torn heads as soon as possible. The torn edge of the head is sharp and can cut hands or fingers.
- When operating the pedal, do not touch the hoop, head, or tuning indicator. Fingers may become caught or pinched resulting in injury.



- Do not put your hands inside any of the parts of the timpani (inside the tuning indicator, base, frame, etc.)
- Do not use the mallet for anything besides playing the instrument.
Do not allow children strike others with the mallet as it can cause injury or become damaged.

Nomenclature & Lubrication



Supplied Accessories

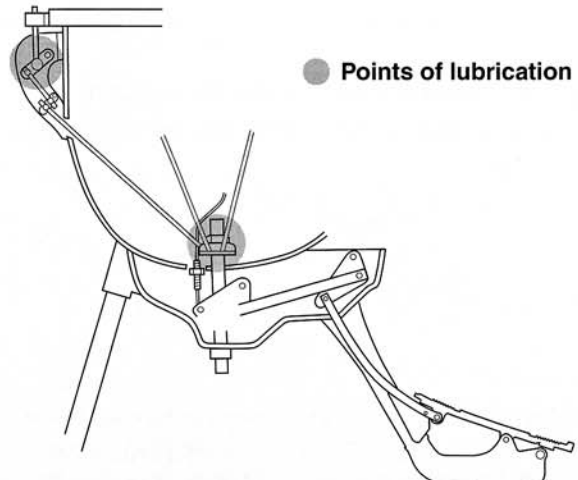
- Tuning Key 1
- Mallets 1 set

⚠ Caution

Never put your hands under the pedal.

● Lubrication

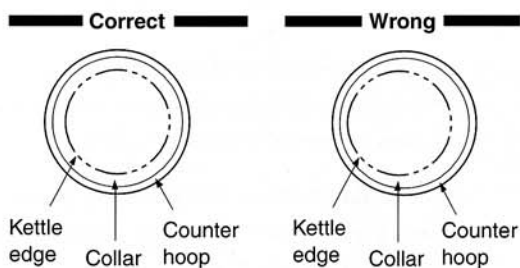
Lubricate the moving parts indicated in the diagram. This should be done at least once a year, or as needed.



Initial Preparation

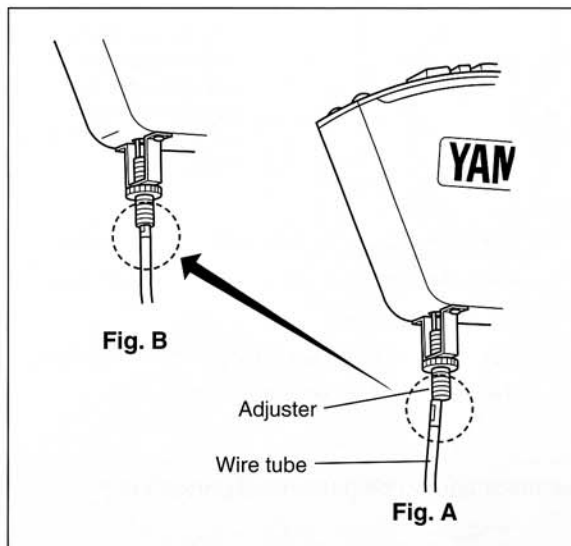
Your Yamaha timpani is equipped with a plastic head carefully mounted and adjusted at the factory. However, new heads tend to stretch during shipping and storage, so it may be necessary to re-tune the instrument before using. Please perform the following steps to check and, if necessary, readjust your instrument.

- 1** The area between the kettle edge and the inner circle of the counter hoop is called the collar. Please make sure that the width of this collar is uniform, as shown in the illustration titled "Correct".



If the collar is not uniform (illustration titled "Wrong"), keep the heel of the pedal fully depressed as shown in Fig. C, and align the head and hoop as shown in the illustration titled "Correct".

- 2** Make sure that the end of the wire tube is not disengaged from the adjuster of the tuning indicator as shown in Fig. A. If it is disengaged, insert it into the adjuster as shown in Fig. B.



⚠ Caution

Using the pedal with the wire disengaged as shown in Fig. A may damage the tuning mechanism.

- 3** If the heel of the pedal is fully lowered as in Fig. C, proceed with step 5. If the pedal position is as shown in Fig. D or the toe of the pedal is fully lowered, perform step 4 first.

Fig. C

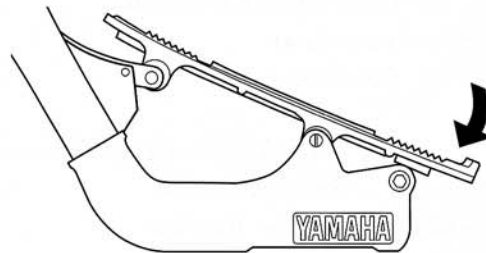
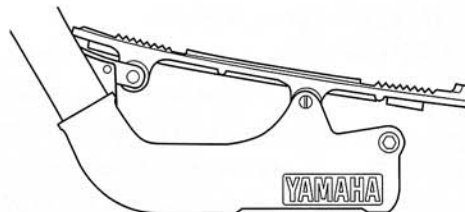


Fig. D



⚠ Caution

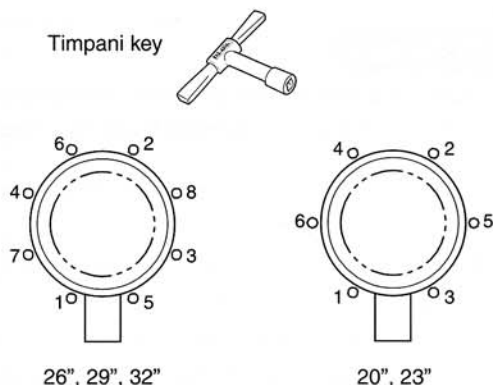
Never put your hands, or anything else, under the pedal.

- 4** Fully depress the heel of the pedal as shown in Fig. C. Hold the pedal in this position, as it will return otherwise.

Initial Preparation

- 5** Using the supplied timpani key, tighten the tuning bolts by 1/4 of a turn (90°) in the order shown below.

It is very important to always turn all tuning bolts by the same amount.



- 6** Take your foot off the pedal.
- **Heel still moves up**
→ Repeat steps **4** through **6**.
 - **Heel stays down**
→ Go to step **7**.
- 7** Put your foot on the pedal and fully depress it in either direction (toe and heel).
- **Heel feels heavier than toe**
→ Go to step **8**.
 - **Toe and heel feel equal**
→ Go to step **11**.
 - **Heel feels lighter than toe**
→ Head is too tight and should be loosened. Keeping the heel of the pedal depressed, loosen the first tuning bolt by 1/2 turn and then re-tighten it by 1/4 of a turn. Perform this operation for all other tuning bolts in the order shown in step **5**. If necessary, repeat this procedure, until proper tension is obtained.
- 8** Fully depress the heel of the pedal as shown in Fig. C.

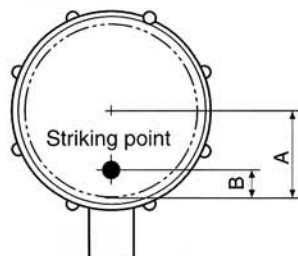
- 9** Tighten each tuning bolt by 1/8 of a turn (45°) in the order shown in step **5**.

- 10**
- **Toe and heel feel equal**
→ Go to step **11**.
 - **Heel still feels heavier than toe**
→ Repeat steps **8** through **10**.
 - **Heel feels lighter than toe**
→ Head is tightened too much. Loosen the head as described in step **7**.
- 11** Move the pedal into an intermediate position, as shown in Fig. D, and remove your foot from the pedal. Confirm that the pedal stays in this position and does not move.

If the pedal stops in this position, adjustment is complete. Return the pedal to the position shown in Fig. C.

- **If the toe of the pedal moves downward**
→ Repeat steps **8** through **10**.
- **If the heel of the pedal moves downward**
→ Head is tightened too much. Loosen the head as described in step **7**.

- 12** Strike the head lightly with the supplied mallet. The standard striking point is shown below.



The standard striking point lies at distance B from the kettle edge, which corresponds approximately to 1/4 to 1/3 of the distance between the kettle edge and the center of the head.

For pitch reference, a tuner or piano can be used. As the toe of the pedal is pressed down, the pitch is raised.

For details on precise tuning refer to "ADJUSTING THE PITCH" on the following page.

Note As the head will stretch over time, readjustment should be performed periodically (starting with step **7**).

Adjusting the Pitch

When using the timpani for the first time, be sure to set it up according to the instructions of “Initial Preparation” on pages 3 and 4.

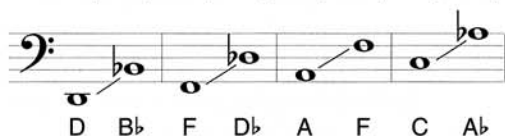
■ Head Tuning

1 Tuning is adjusted on the lowest note of the timpani. For this reason, the heel of the pedal must stay fully lowered during the tuning procedure.

The pitch of the lowest note (and the tonal range) depends on the size of your timpani. For example, as shown in the chart below, the lowest sound of a 26" timpani should be tuned to A. When tuned properly, your Yamaha timpani will play throughout its full tonal range with balanced tension in the peddle.

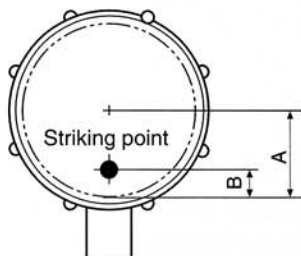
■ Standard Tonal Ranges for Yamaha Timpani

32" (81cm) 29" (74cm) 26" (66cm) 23" (58cm)



Keep the heel of the pedal fully lowered during the tuning procedure (steps **2** through **7** below) if not specified otherwise.

2 Strike the head and check the sound.
The standard striking point is shown below.



The standard striking point lies at distance B from the kettle edge, which corresponds approximately to 1/4 to 1/3 of the distance between the kettle edge and the center of the head.

- Sound is lower than the tuning note
→ Go to step **3**.
- Sound is higher than the tuning note
→ Loosen the tuning bolts by an equal

amount in the order shown in the figure of step **5** on page 4.

When loosening the tuning bolts, always loosen them by double the desired amount, and then return (re-tighten) them by half. When the sound lies within 1 half-tone below the desired pitch after loosening the tuning bolts (repeatedly, if necessary), proceed with step **3**.

3 Lightly strike the head with the mallet about 2 inches (5 cm) from the kettle edge at each tuning bolt. Check which tuning bolt has the highest sound.

• Pitch of the highest sound is higher than the tuning note

- Loosen the corresponding tuning bolt by about 1/16 to 1/18 of a turn. First loosen the bolt by double the desired amount, and then return (re-tighten) it by half. After loosening the tuning bolt, repeat from the beginning of step **3**.

• Pitch of the highest sound is lower than the tuning note

- Go to step **4**.

4 Tighten the other bolts little by little (by about 1/16 to 1/8 of a turn) until the sounds at the corresponding striking points match the pitch of the highest sound. Please note that tightening one bolt also raises the pitch at neighboring and opposite tuning bolts. Thus, after tightening the tuning bolt with the lowest sound, again check the pitch at the other tuning bolts before tightening the tuning bolt with the next lowest pitch. While alternately tightening the other bolts, do not touch the tuning bolt with the highest pitch (reference pitch).

Adjusting the Pitch

5 Loosen all over-tightened bolts according to the procedure described in step **3**. When the pitch is approximately the same at each bolt, repeatedly depress the toe and heel of the pedal several times.

6 Repeat steps **3** through **5** until the pitch at each bolt is exactly the same.

7 Check the sound by striking the head as described in step **2**.

• **Sound is lower than the tuning note**

→ Tune the instrument by tightening all tuning bolts by an equal amount (max. 1/16 of a turn).

• **Sound is higher than the tuning note**

→ Tune the instrument by loosening all tuning bolts by an equal amount (max. 1/16 of a turn) according to the procedure described in step **3**.

8 Operate the pedal as described in step **5**. If the pitch does not change, the instrument is tuned properly.
(If the pitch changes, repeat from step **7**.)

The instrument is now tuned to the lowest sound (note) of its tonal range. Depress the toe of the pedal to change to a higher pitch (note).

9 After tuning, perform **■ Pedal Adjustment** and then **■ Tuning Indicator Adjustment**.

■ Pedal Adjustment

After depressing the toe and heel of the pedal, turn the spring tension adjustment bolt as described below.

• **Heel moves up when releasing the foot from the pedal after depressing the heel, or the heel feels heavier than the toe.**

→ Turn the spring tension adjustment bolt to the left (counterclockwise).

• **Toe moves up when releasing the foot from the pedal after depressing the toe, or the toe feels heavier than the heel**

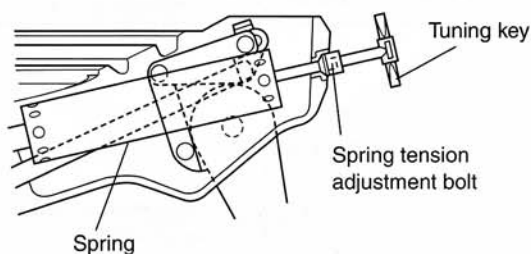
→ Turn the spring tension adjustment bolt to the right (clockwise).

Turning the spring tension adjustment bolt is performed using the timpani key. Do not turn too many full rotations at once, and re-check the adjustment every 2 turns by pressing the toe and heel of the pedal.

Note Do not loosen the spring tension adjustment bolt by more than 3 rotations at a time, as the toe of the pedal tends to drop abruptly after a specific point.

⚠ Caution

Never put your hands under the pedal.



● Pedal balance spring mechanism

Your Yamaha timpani is equipped with a unique pedal balance spring mechanism (a coil spring counteracting the tension of the head) which allows you to freely change the pitch (note) of the instrument. When the pedal is moved, the pitch of the head will change, and the balance spring ensures that the pedal angle (pitch) will not change when you remove your foot from the pedal.

■ Tuning Indicator Adjustment

The tuning indicator shows where to set the pedal for each note. After tuning the instrument, you must set each note on the indicator to its proper position.

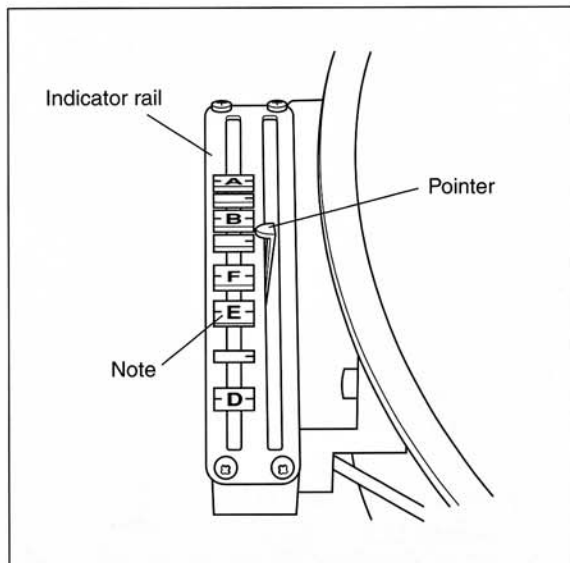
- 1** After you have tuned your timpani to the lowest note of its tonal range, make sure that the pointer is located within 10 mm from the pedal-side end of the indicator rail.

** If not, refer to "Adjusting the Pointer Position".*

- 2** Slide the lowest note of the indicator ("A" in the case of a 26" timpani—see "Standard Tonal Ranges for Yamaha Timpani" on page 5) to the position where its center line coincides with the pointer.

- 3** Tune the instrument to the next higher pitch (note) by moving the pedal, and then slide the corresponding note on the rail to the respective pointer position. Repeat for each remaining note.

** The tuning indicator can be set to a desired angle by loosening the indicator mounting screw using a Phillips screwdriver.*

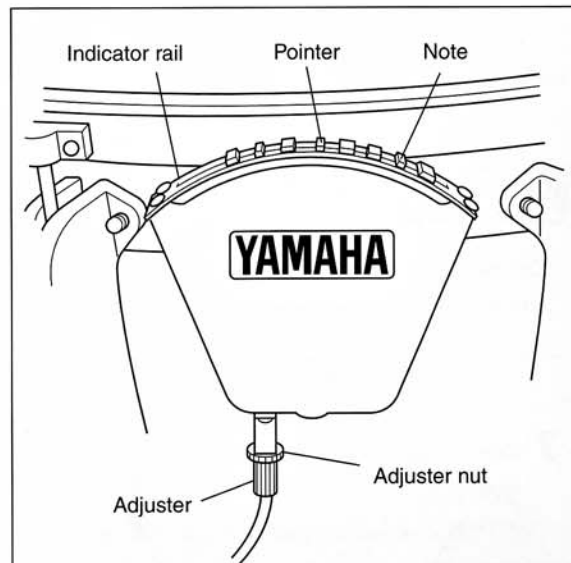


● Adjusting the Pointer Position

First loosen the pointer lock nut and then turn the adjuster as follows:

- **Pointer is located beyond the lower rail end when the heel of the pedal is lowered fully (lowest note).**
 - Turn the adjuster to the left (counter clockwise) until the pointer is aligned with the lowest note of the indicator.
- **Pointer moves beyond the upper rail end before the toe of the pedal reaches the end of its stroke, or Pointer does not reach the lower rail end when the heel of the pedal is lowered fully (lowest sound)**
 - Turn the adjuster to the right (clockwise) to correct the pointer position as required.

After adjustment, securely tighten the pointer lock nut.

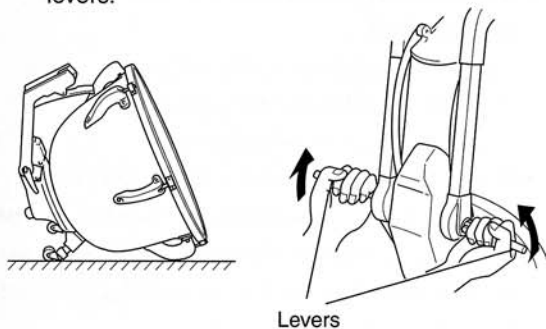


Transporting and Setting Up

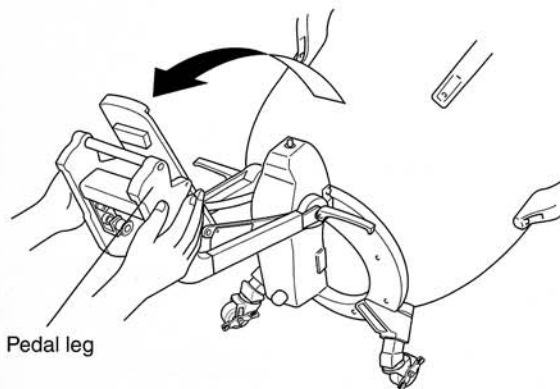
The timpani's folding design allows easy transport and storage. Follow the steps below when setting up or folding the timpani.

■ Setting Up

- 1 Place the timpani on the floor, as shown in the illustration below. Using both hands, extend the levers.



- 2 With both hands placed on the outer sides of the base section, pull the pedal leg toward you to unfold the leg.



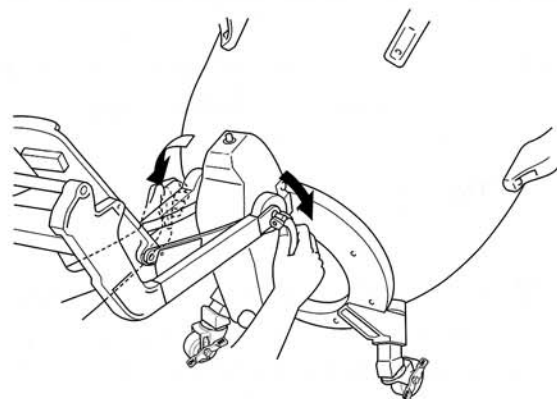
⚠ Caution

Do not place your hands inside the base section.

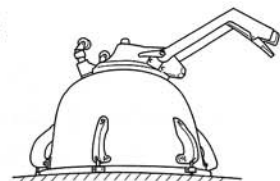


- 3 While slightly lifting the base section, close the levers.

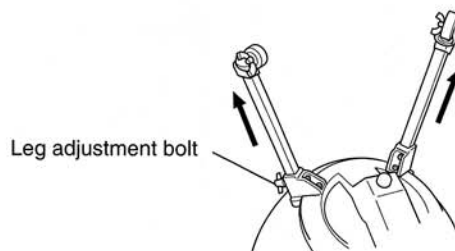
* Make sure both left and right levers are firmly closed.



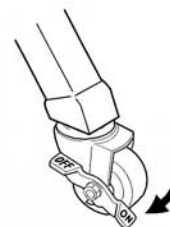
- 4 Place the head protector or a blanket on the floor. Place the timpani upside-down on the protector or blanket.



- 5 Loosen the leg adjustment bolts and slowly extend the sliding legs. When you hear the leg "click" into place, firmly tighten the bolt. (To adjust the height, refer to the "Adjusting the Height" section.)



- 6 Lift the timpani and carefully turn it rightside up. To stabilize the timpani, push down the "ON" side of the caster lock.



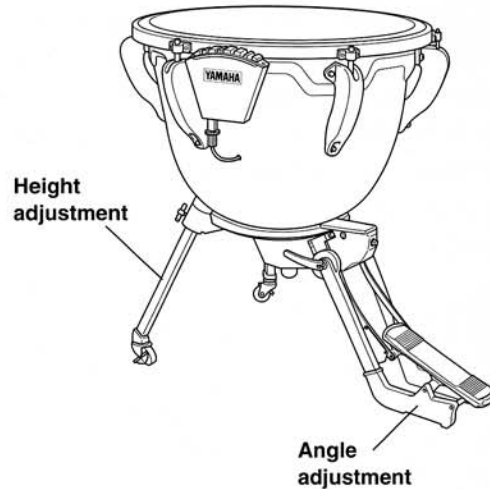
■ Adjusting the Height

You can adjust the height and angle of the timpani by using the pedal base's arm and the sliding legs.

1 Pull the two adjustment bolts toward each other to release the arm. The arm can be set to any of three different angles. Set the arm to one of the angles ("Low", "Medium" or "High") shown below.

2 Adjust the height of the sliding legs. Loosen the leg adjustment bolts. Extend the leg until you hear a "click". The first position you hear a click at is the lowest position. When the leg "clicks" at its highest position, two indentations on the leg will be visible. According to the height set in step **1**, set the leg to the same height. For example, if you set the height in step **1** to the "High" position, set the leg to its "High" position as well.

** Make sure that both sliding legs are set to the same height.*



After setting up the timpani, lock the both casters to stabilize the instrument during performance.

	Low	Medium	High
Angle adjustment	<p>Adjustment bolts</p>		
Height adjustment	<p>Leg Adjustment bolts</p>		

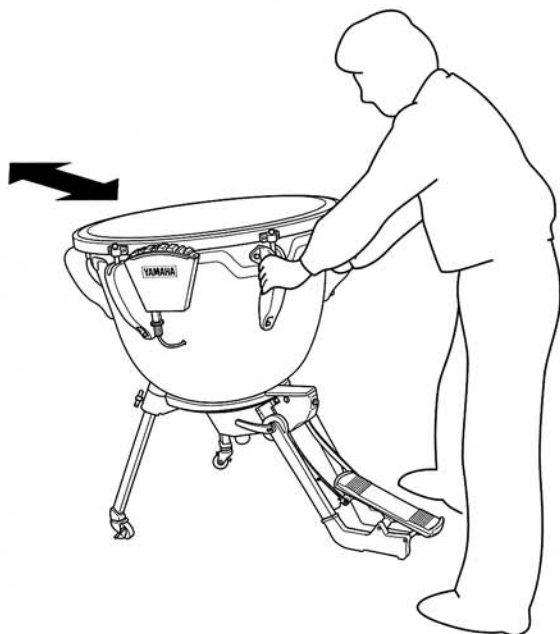
Transporting and Setting up

■ Transporting

The timpani should always be carried by two or more persons.

The casters are convenient when moving the timpani over short distances on a flat surface. When moving, release the caster locks, slightly lift the pedal section (as shown below) and slowly push the timpani forward. At this time, make sure that the sliding legs are not subject to any shock or impact.

** Do not drop the timpani as the base may become damaged.*

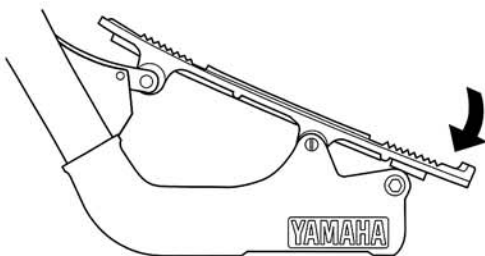


■ Storing

- 1** Turn the timpani on its side.
- 2** Using both hands, extend the levers. With both hands placed on the outer side of the base section, push the pedal leg away from you to fold the leg. Close the levers.
- 3** Retract the sliding legs. Tighten the leg adjustment bolts.

Replacing the Head

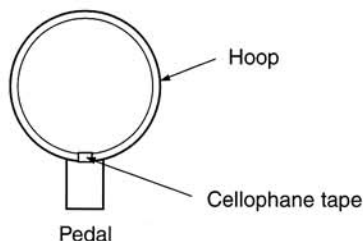
- 1** To prevent the toe of the pedal from being suddenly pulled down by the force of the spring, hold the heel of the foot pedal down with your foot while the tuning bolts are loosened alternately in the proper sequence. After the bolts have been loosened, slowly release the foot pedal.



⚠ Caution

- Never put your hands under the pedal.
- Always remove your foot from the pedal slowly. The pedal will suddenly slip if your foot is suddenly removed from the foot pedal.

- 2** After removing all tuning bolts, mark the pedal side of the hoop with cellophane tape, so that the hoop can be re-mounted in the same position as it was prior to removal. Remove the head together with the hoop. Be careful not to lose any of the tuning bolts and prevent dust from adhering to them. Also, avoid touching the tuning bolt threads, as they are greased.



* Be careful not to make any scratches in the edge tape attached to the kettle's edge. If the tape is peeling or badly damaged, it must be replaced with Timpani Edge Tape (TPT-100 Teflon™ tape).

- 3** Place the new head with the hoop on the kettle. When using a Yamaha timpani head, make sure its YAMAHA logo is on the side opposite the pedal. The hoop must be re-mounted in the same position as marked with cellophane tape in step 2. In the proper order, tighten the tuning bolts alternately by hand until the head is tensioned slightly.

At this time, make sure that the head and hoop are centered on the kettle.

Tighten each tuning bolt an additional 1/4 of a turn using the timpani key. Repeat at least 4 times.

- 4** Adjust the timpani as described on page 3 "Initial Preparation" starting with step 5. For precise tuning, refer to the section "Adjusting the Pitch" on page 5.

● Interval for head replacement

The maximum head life normally is approximately 2 years and depends on the frequency and duration of use. However, the head should always be replaced before the sound quality deteriorates dramatically. If a head is left on and used more than two years, the following problems may occur:

- It may become impossible to tune the head to the proper pitch range.
- It may become impossible to balance the pedal.
- The main unit mechanisms themselves may become damaged.

When the head is slightly tensioned and its surface looks wavy or shows dents, it is time to replace the head with a new one.

