

INTRODUCTION

The MX22s is a two-channel mixer for mixing a 1/8" line signal such as a wireless microphone, and a stereo RCA signal such as a CD player. The MX22s has enough output to drive a power amplifier directly and is ideal for audio/video applications.

WARRANTY

For complete information on the Rolls 1 Year Warranty, and to register this product, see our website at www.rolls.com.

DESCRIPTION

CH 1 Input: 1/8" stereo jack for receiving line or instrument level signals.

CH 2 Input: Stereo RCA input for receiving line level signals. These signals are mixed to mono.

Line 1 Volume: Controls the level of the signal from Channel 1.

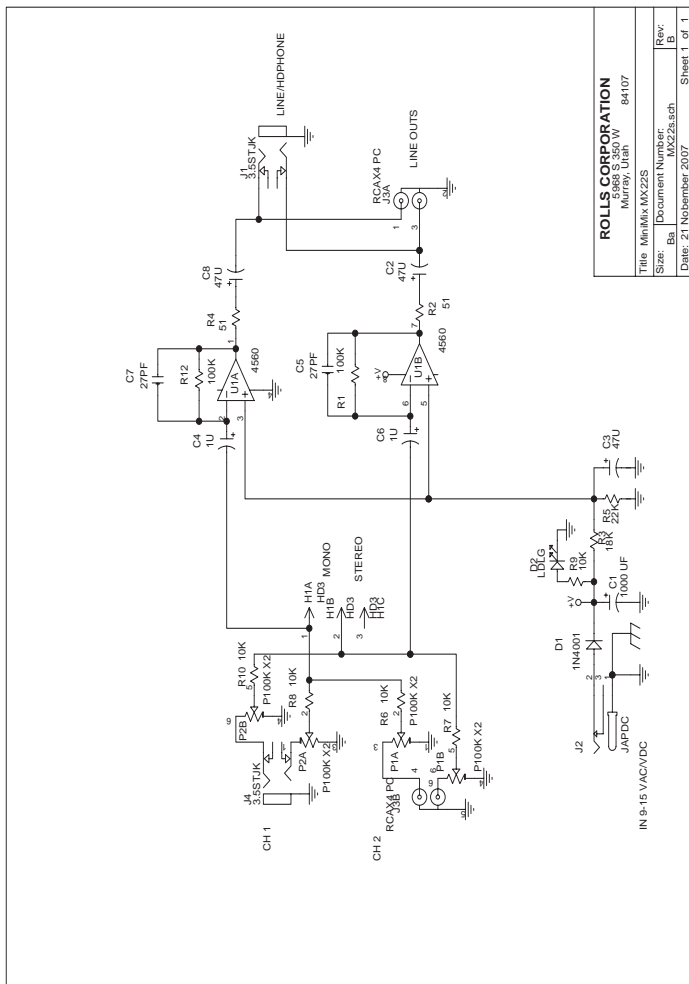
Line 2 Volume: Controls the level of the signal from Channel 2.

Line Outputs: Dual mono RCA and 1/8" jacks for connection to a line input device such as a mixer.

Power Input: For connection to the power supply Rolls PS27.

Internal STEREO/MONO JUMPER: Internal jumper can be accessed by removing the top of the MX22s. For switching the MX22s from stereo in/out to mono in/out. This should be preformed by a qualified person. Units are shipped from the factory in stereo mode.

SCHEMATIC



... anywhere you need to mix a 1/8 inch and
RCA signal together.

ROLLS

- Broadcast
- Install
- Studio

MX22s MINI MIXER

MX22s MiniMix

ROLLS

MX22s 2 Channel Stereo/Mono Mixer

- Mixes 1/8" line level signals with stereo RCA signals
- Individual controls for each signal
- AC adapter included

The MX22s mixes a 1/8" line signal such as a wireless microphone or other line level signal, with a stereo RCA signal like a CD or cassette player. The unit has enough output to drive a power amplifier directly and is ideal for audio visual applications as well.

SPECIFICATIONS

CH1 Max Gain:	32 dB
CH2 Max Gain:	20 dB
CH1 Input Impedance:	10K Ohms
CH2 Input Impedance:	20K Ohms
Output Impedance:	50 Ohms
Power:	Rolls PS27 @ 12 VDC 200mA
Size:	2.75" x 2.35" x 1.5" (7 x 6 x 3.8 cm)
Weight:	1lb (.45Kg)

CE

ROLLS

Rolls Corporation
Salt Lake City, UT
02/08

MX22 MiniMix

