

ND310II

Northridge™ Series



ACOUSTIC & ELECTRICAL SPECIFICATIONS:

- Nominal Impedance 8 ohms
- Max Amp Power 250 watts*
- Frequency Response 37Hz – 20kHz
- Sensitivity 91dB (1 watt @ 1 meter)
- Crossover Frequencies 1000Hz, 5000Hz

SYSTEM COMPONENTS:

- Enclosure ND310II (not for sale)
- Grille 337804-001
- Low-Frequency Transducer (2) 10" (254mm) Polyplas™, shielded 335573-002
- DC Resistance 10.8 ohms ±10%
- Mid-Frequency Transducer 4" (102) Polyplas™, shielded 335588-002
- DC Resistance 4.4 ohms ±10%
- High-Frequency Transducer 3/4" (19mm) titanium-laminate dome, shielded 338035-001
- DC Resistance 3.0 ohms ±10%
- Crossover Network 335624-002

AURAL SWEEP TEST SPECIFICATIONS:

- System Aural Sweep Test 6.0V Input 30Hz to 20kHz
- L.F. Aural Sweep Test 6.0V Input 30Hz to 2kHz
- M.F. Aural Sweep Test 4.0V Input 500Hz to 6kHz
- H.F. Aural Sweep Test 2.83V Input 4kHz to 20kHz

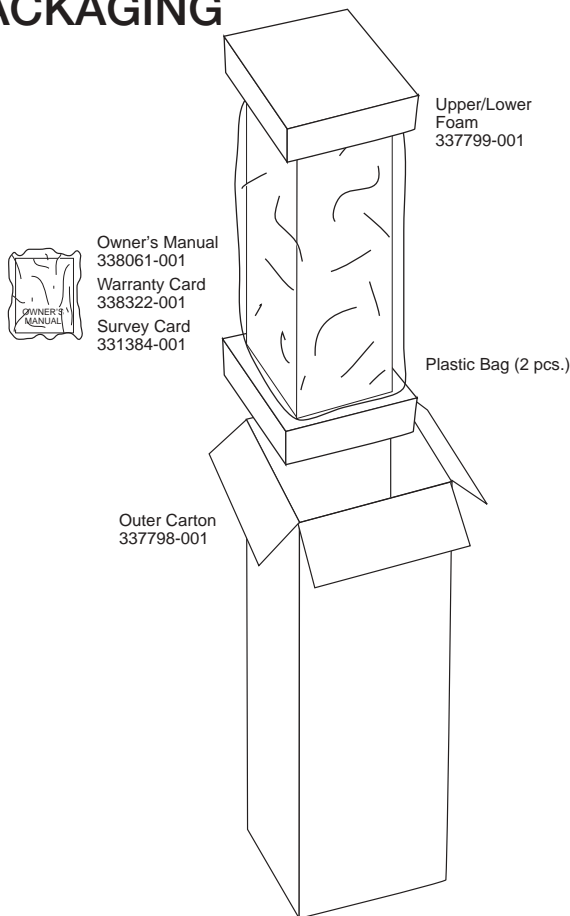
PHYSICAL SPECIFICATIONS:

- Enclosure Dimensions 42" x 14-1/2" x 12" (H x W x D) 1067mm x 368mm x 305mm
- Weight 55 lb/25kg (each)

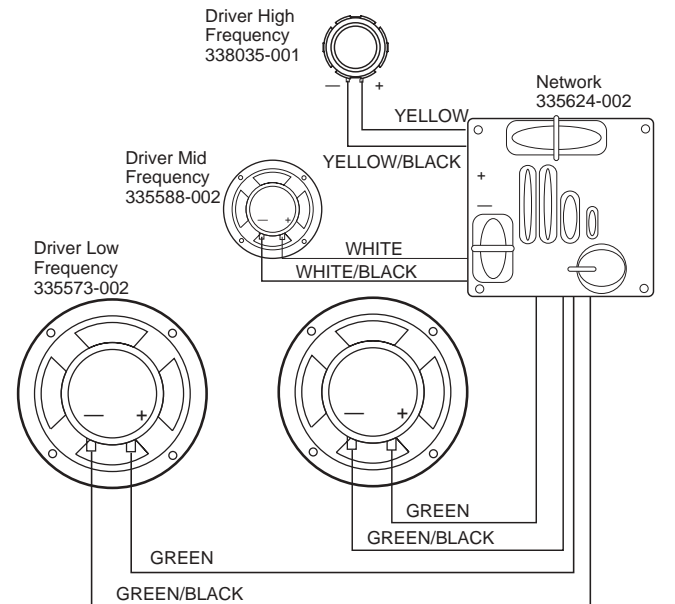
WARRANTY:

- Refer to Warranty Statement packed with each product.
- * The maximum recommended amplifier power rating will ensure proper system headroom to allow for occasional peaks. We do not recommend sustained operation at these maximum power levels.

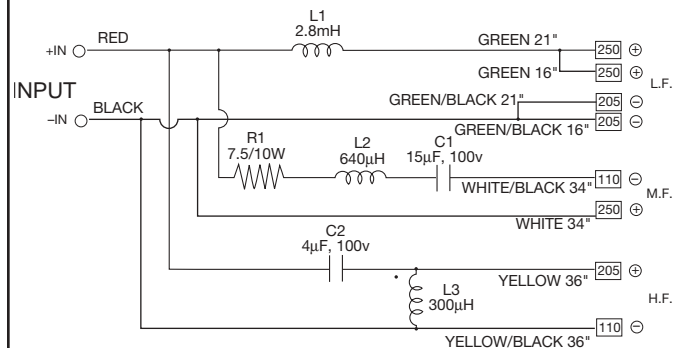
PACKAGING



WIRING DIAGRAM



ND310II SCHEMATIC



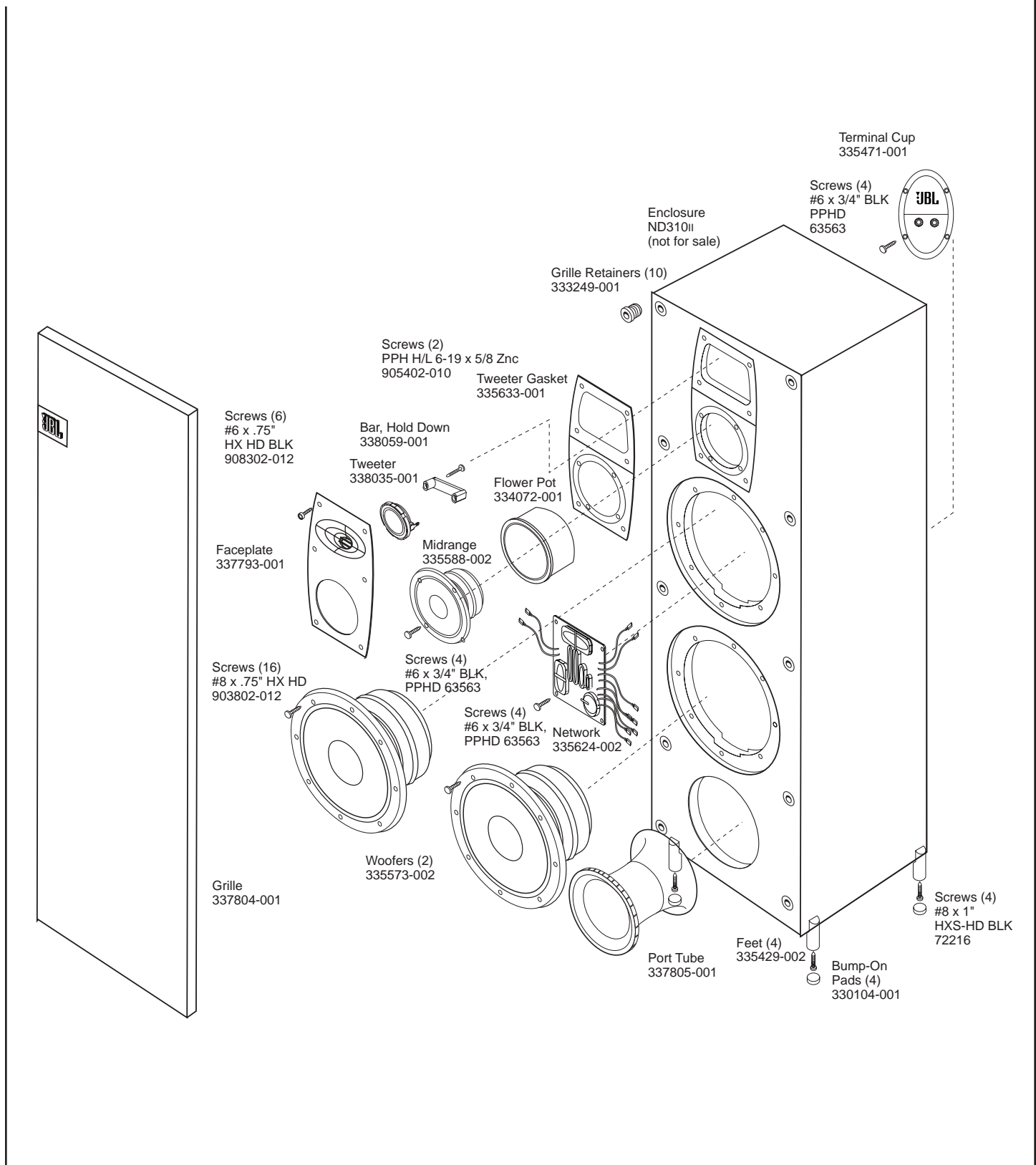
ND310II Northridge™ Series

ND310II

Northridge™ Series



EXPLODED VIEW



ND310II Northridge™ Series