

# CD Clock Radio

AJ3910

PHILIPS CONSUMER ELECTRONICS COMPANY

Marietta, GA 30006-0026, U.S.A.

Meet Philips at the Internet  
<http://www.philips.com/support>



Thank you for choosing Philips.  
**Need help fast?**

Read your Quick Use Guide and/or Owner's Manual first for quick tips that make using your Philips product more enjoyable. If you have read your instructions and still need assistance, you may access our online help at

[www.philips.com/support](http://www.philips.com/support)  
or call  
**1-888-PHILIPS (744-5477)**  
while with your product.  
(and Model / Serial number)



Philips vous remercie de votre confiance.  
**Besoin d'une aide rapide?**

Les Guide d'utilisation rapide et Manuel de l'utilisateur regroupent d'astuces destinées à simplifier l'utilisation de votre produit Philips. Toutefois, si vous ne parvenez pas à résoudre votre problème, vous pouvez accéder à notre aide en ligne à l'adresse

[www.philips.com/support](http://www.philips.com/support)  
ou formez le  
**1-800-661-6162 (français)**  
**1-888-PHILIPS (744-5477) (English speaking)**  
Veillez à avoir votre produit à portée de main.  
(et model / serial number)



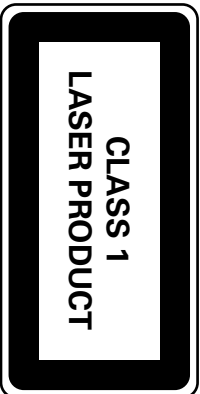
Gracias por escoger Philips.  
**Necesita ayuda inmediata?**

Lee primero la Guía de uso rápido o el Manual del usuario, en donde encontrarás consejos que le ayudarán a disfrutar plenamente de su producto Philips. Si después de leerlo aún necesita ayuda, consulte nuestro servicio de asistencia en línea en

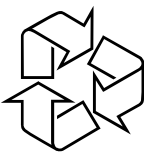
[www.philips.com/support](http://www.philips.com/support)  
o llame al teléfono  
**1-888-PHILIPS (744-5477)**  
y tenga a mano el producto.  
(Y número de model / serial)



# PHILIPS



AJ 3910



Printed in China

YM-0606-1

## Return your Product Registration Card today to get the very most from your purchase.

Registering your model with PHILIPS makes you eligible for all of the valuable benefits listed below, so don't miss out. Complete and return your Product Registration Card at once to ensure:

*Proof of Purchase	*Product Safety Notification	*Additional Benefits of Product Ownership
Returning the enclosed card guarantees that your date of purchase will be on file, so no additional paperwork will be required from you to obtain warranty service.	By registering your product, you'll receive notification - directly from the manufacturer - in the rare case of a product recall or safety defect.	Registering your product guarantees that you'll receive all of the privileges to which you're entitled, including special money-saving offers.

### Know these safety symbols



This “bolt of lightning” indicates uninsulated material within your unit may cause an electrical shock. For the safety of everyone in your household, please do not remove product covering.

The “exclamation point” calls attention to features for which you should read the enclosed literature closely to prevent operating and maintenance problems.

**For Customer Use**

Enter below the Serial No. which is located on the rear of the cabinet. Retain this information for future reference.

Model No. \_\_\_\_\_

Serial No. \_\_\_\_\_

**WARNING:** To reduce the risk of fire or electric shock, this apparatus should not be exposed to rain or moisture, and objects filled with liquids, such as vases, should not be placed on this apparatus.

**CAUTION:** To prevent electric shock, match wide blade of plug to wide slot, fully insert.

## IMPORTANT SAFETY INSTRUCTIONS

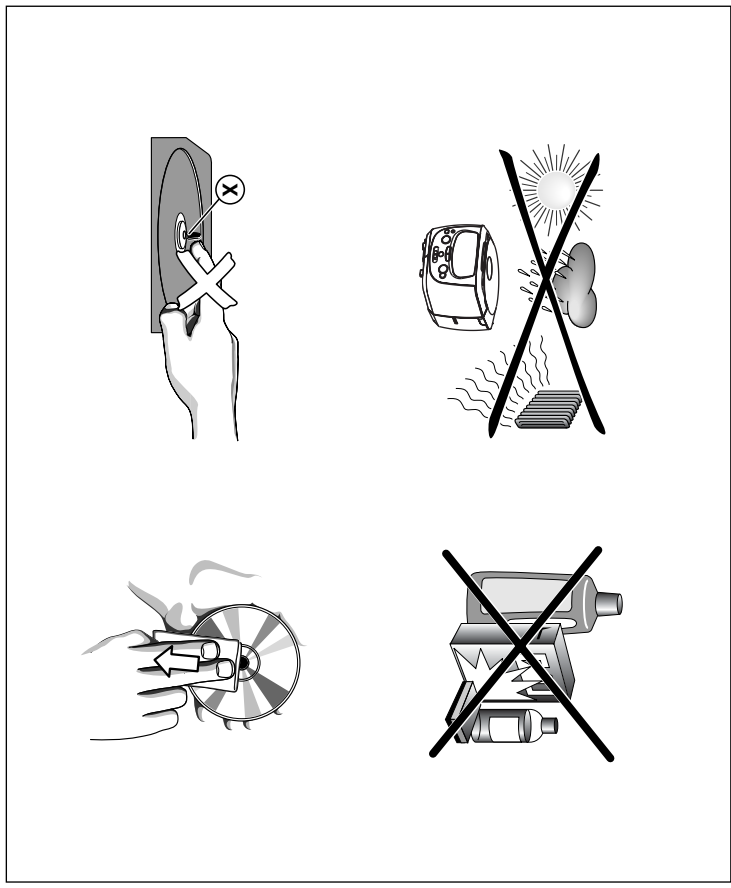
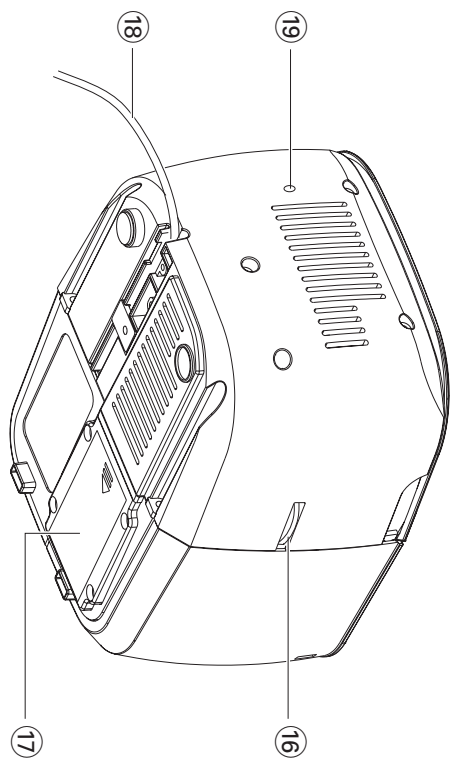
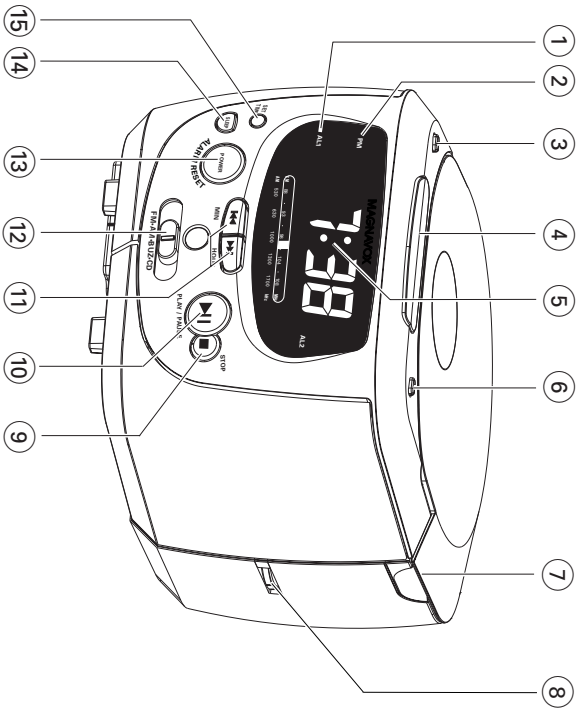
1. Read these instructions.
  2. Keep these instructions.
  3. Heed all warnings.
  4. Follow all instructions.
  5. Do not use this apparatus near water.
  6. Clean only with a piece of dry cloth.
  7. Do not block any ventilation openings. Install in accordance with the manufacturer's instructions.
  8. Do not install near any heat sources such as radiators, heat registers, stoves, or other apparatus (including amplifiers) that produce heat.
  9. Do not defeat the safety purpose of the polarized or grounding-type plug. A polarized plug has two blades with one wider than the other. A grounding type plug has two blades and a third grounding prong. The wide blade or the third prong are provided for your safety. If the provided plug does not fit into your outlet, consult an electrician for replacement of the obsolete outlet.
  10. Protect the power cord from being walked on or pinched, particularly at plugs, convenience receptacles, and the point where they exit from the apparatus.
  11. Only use attachments/accessories specified by the manufacturer.
  12. Use only with the cart, stand, tripod, bracket, or table specified by the manufacturer or sold with the apparatus. When a cart is used, use caution when moving the cart /apparatus combination to avoid injury from tip-over.
  13. Unplug this apparatus during lightning storms or when unused for long periods of time.
  14. Refer all servicing to qualified service personnel. Servicing is required when the apparatus has been damaged in any way, such as power-supply cord or plug is damaged, liquid has been spilled or objects have fallen into the apparatus, the apparatus has been exposed to rain or moisture, does not operate normally, or has been dropped.
  15. Battery usage **CAUTION** – To prevent battery leakage which may result in bodily injury, property damage, or damage to the unit:
    - Install all batteries correctly, + and - as marked on the unit.
    - Do not mix batteries (old and new or carbon and alkaline, etc.).
    - Remove batteries when the unit is not used for a long time.
  16. Apparatus shall not be exposed to dripping or splashing.
  17. Do not place any sources of danger on the apparatus (e.g. liquid filled objects, lighted candles).
  18. This product may contain lead and mercury. Disposal of these materials may be regulated due to environmental considerations.
- For disposal or recycling information, please contact your local authorities or the Electronic Industries Alliance: [www.eiae.org](http://www.eiae.org).**

EL 6475-S004: 03/12

**Class II equipment symbol**  
This symbol indicates that the unit has a double insulation system



1



**Canada**

**English:**

This digital apparatus does not exceed the Class B limits for radio noise emissions from digital apparatus as set out in the Radio Interference Regulations of the Canadian Department of Communications.

**Français:**

Cet appareil numérique n'émet pas de bruits radioélectriques dépassant les limites applicables aux appareils numériques de Classe B prescrites dans le Règlement sur le Brouillage Radioélectrique édicté par le Ministère des Communications du Canada.

## English

## Controls / Power supply

### Controls (See **1**)

- AL1/AL2 indicator** – lights up when ALARM 1 or ALARM2 is activated
- PM indicator**
- ALARM 1 (OFF-SET-ON)**
  - switches on ALARM 1
  - sets alarm time of ALARM 1
  - switches off ALARM1
- REPEAT ALARM** – switches off the alarm for a 6-minute period
- Display** – shows the status of the set
- ALARM 2 (OFF-SET-ON)**
  - switches on ALARM 2
  - sets alarm time of ALARM 2
  - switches off ALARM2
- LIFT TO OPEN** - lift here to open CD door
- TUNING** - tunes to a radio station
- STOP ■** - stops CD playback
- PLAY/PAUSE ►||** - starts or pauses CD playback
- MIN ◀◀ / HOUR ▶▶**
  - adjusts the minute/hour for dock/alarm time
  - skips or searches CD track/ passage backward/ forward
- FM•AM•BUZ•CD**
  - selects FM, AM or CD sound source
  - selects radio, buzzer or CD alarm mode
- POWER/ALARM RESET**
  - switches the set on/off
  - stops the active buzzer; radio or CD alarm for 24 hours
  - switches off the sleep timer
- SLEEP**
  - activates the radio/CD player for SLEEP function
  - displays/adjusts/switches off sleep timer
- SET TIME** – sets the clock time

### **VOLUME** - adjusts volume level

**Battery compartment** – insert a 9 volt battery, type 6F22 (not supplied) for clock memory backup

**Power cord** - connects to wall outlet.

**RESET** – use a ballpoint pen to press RESET if the set/display does not react to any of the controls

### Power Supply

- Check if the power voltage, as shown on the bottom of the set, corresponds to your local power supply.
- Connect the power plug to the wall outlet.. The power supply is switched on and 12:00 flashes on the display.You can set the clock now. (See **Setting the clock**)
- To switch off the set completely, withdraw the power cord from the wall socket.

### Clock memory backup

When a power failure occurs, the set will be switched off completely. When the power supply returns, **12:00** flashes on the display and you need to reset the clock. To retain the clock/ alarm time in the event of AC power failure or disconnection, insert a 9 volt battery, type 6F22 (not supplied) into the battery compartment; it will act as clock memory backup. However, the time will not be illuminated on the display. Operation of the alarms, FM/AM radio and CD are also excluded. As soon as the power supply returns, the display will indicate the correct time.

## Clock / Radio

## CD player

- Connect the power plug to the wall outlet.
  - Insert the battery into the battery compartment.
    - Replace the battery once a year, or as often as necessary.
- Batteries contain chemical substances, so they should be disposed of properly.**

### Setting the clock

#### Clock display

The display shows the time and also indicates whether you have switched on the alarm(s). The indicators light up next to **AL1** and **AL2** respectively. The time is displayed using 12-hour clock (PM) indicator: lights up = PM, off = AM)

- Press **SET TIME** once or more until the hour/minute digits flash.
  - Display: 12:00 flashes by default.
- Hold down or press **HOUR ▶▶ / MIN ◀◀** repeatedly to adjust the hours and minutes respectively. Release **HOUR ▶▶ / MIN ◀◀** when you have reached the correct setting.
- Press **SET TIME** to confirm.

#### Important Note:

Press and hold **SET TIME** button will change the display from 12 hours to 24 hours.

**Standby power consumption**  
(clock mode) **1.0W**

### Radio

- Press **POWER** to switch on.
  - **POWER** button lights up.
- Use **FM•AM•BUZ•CD** to select FM or AM waveband.
- Use **TUNING** (on the side panel) to find your station.

Adjust the sound with the **VOLUME** control.

#### To improve reception:

**FM:** Extend and adjust power cord for optimum reception.

**AM:** Use the built-in antenna. Direct the antenna by adjusting the position of your unit.

- Press **POWER** to switch off.
  - **POWER** button light turns off.

### CD playback

This set can play audio discs including CD-recordables. Do not try to play a CD-ROM, CD-RW, CDI, VCD, DVD or computer CD.

- Open the CD door.
- Insert a CD with the printed side facing up, and close the CD door.
- Press **POWER** to switch on.
  - **POWER** button lights up.
- Select CD source by using the **FM•AM•BUZ•CD** selector.
- Press **PLAY/PAUSE ►||** to start playback.
  - Display shows briefly current track number and returns to the clock display.
- Adjust the sound with the **VOLUME** control.
- To interrupt playback, press **►||**.
- Press **►||** to resume playback.

## CD player

9 Press **STOP** ■ to stop playback.

→ Display shows briefly the total number of tracks and returns to the clock display.

10 Press **POWER** to switch off.

→ **POWER** button light turns off.

**Helpful hints:**

- Pressing **POWER** will also stop CD playback.

### Selecting a different track

- Press **◀** or **▶** once or repeatedly until the desired track number appears in the display.
- In the pause/stop position, press **▶||** to start playback.

### Finding a passage within a track

- 1 During playback, press and hold down **◀◀** or **▶▶**.  
→ The CD is played at a high speed and low volume.
- 2 Release **◀◀** or **▶▶** when you recognize the passage you want.  
→ Normal CD playback resumes.

## Alarm

### Using the alarm

#### General

Two different alarm times ALARM1 and ALARM2 can be set in the CD, radio or buzzer mode.

### Setting the alarm time

- 1 Press **ALARM 1** or **ALARM 2** once or more until the **AL1/AL2** indicator lights up and the hour/minute digits flash.  
→ **12:00** flashes by default
- 2 Hold down or press **MIN** **◀◀** / **HOUR** **▶▶** repeatedly to adjust the hours and minutes respectively. Release **MIN** **◀◀** / **HOUR** **▶▶** when you have reached the correct setting.
- 3 Press **ALARM 1** or **ALARM 2** to confirm.

- To review your set alarm time, press **ALARM 1** or **ALARM 2** again.

**Helpful hints:**

- If no action is executed within 5 seconds, the display will return to clock time.

### Selecting the alarm mode

- 1 Press **POWER** to switch off.
- 2 Select alarm modes: **FM, AM1**, buzzer or CD using the **FM/AM/BUZ/CD** selector.
- At the set alarm time, the radio, buzzer or CD switches on and about 60 minutes later, switches off automatically.

**Helpful hints:**

- If CD alarm mode is selected, a CD must be inserted. The buzzer alarm option will automatically replace the CD alarm if you have forgotten to insert a CD.  
- If you have an alarm set in the radio or CD mode, make sure you have adjusted the volume loud enough to wake you up.

## Alarm

### Switching off the alarm

There are 3 ways of switching off the alarm. Unless you choose to cancel the alarm completely, the **DAILY ALARM RESET** option will be automatically selected after around 60 minutes from the time your alarm time first goes off.

**Daily alarm reset**

If you want the alarm mode to be stopped immediately but also wish to repeat the alarm call at the same time for the following day:

- Press **POWER/ALARM RESET** during the alarm call.

### Repeat alarm

This will repeat your alarm call at 6-minute intervals.

- 1 During the alarm call, press **REPEAT ALARM**.
- 2 Repeat if desired up to 9 times.

### Switching off the alarm completely

- Press **ALARM 1** or **ALARM 2** once or more until the **AL1** or **AL2** indicator goes out.

## Sleep

### Sleep

This set has a built-in sleep timer, which enables the set to be automatically switched off during radio or CD playback after a set period of time. There are 4 sleep times: 90, 60, 30, 15 minutes.

### Setting the sleep time

- 1 Press **SLEEP** once or more until your desired option appears:  
→ Display shows in sequence: **90** (minutes) → **60** → **30** → **15** → clock time (**off**)  
→ The sleep time appears briefly and the clock time returns.
- 2 To cancel sleep, press either:
  - **SLEEP** once or more until clock time appears.
  - **POWER** to switch off.

**Helpful hints:**

- The sleep function does not affect your alarm time setting(s).

## Maintenance

---

### Safety and general maintenance

- Place the set on a hard and flat surface so that the system does not tilt.
- Do not expose the set, batteries, CDs to humidity, rain, sand or excessive heat caused by heating equipment or direct sunlight
- The apparatus shall not be exposed to dripping or splashing.
- Adequate ventilation with a minimum gap of 15cm between the ventilation holes and surrounding surfaces is necessary to prevent heat build-up.
- The ventilation should not be impeded by covering the ventilation openings with items, such as newspapers, table-cloths, curtains, etc..
- No objects filled with liquids, such as vases, shall be placed on the apparatus.
- No naked flame sources, such as lighted candles, should be placed on the apparatus.
- The mechanical parts of the set contain self-lubricating bearings and must not be oiled or lubricated.
- To clean the set, use a soft dry cloth. Do not use any cleaning agents containing alcohol, ammonia, benzene or abrasives as these may harm the housing.

### CD player and CD handling

- If you do not intend to use the CD clock radio for a long time, withdraw the power cord from the wall outlet.
- The lens of the CD player should never be touched!
- Sudden changes in the surrounding temperature can cause condensation to form and the lens of your CD player to cloud over. Playing a CD is then not possible. Do not attempt to clean the lens but leave the set in a warm environment until the moisture evaporates.
- Always shut the CD door to keep the CD compartment dust-free. To clean, dust the compartment with a soft dry cloth.
- To clean the CD, wipe in a straight line from the center towards the edge using a soft, lint-free cloth. Do not use cleaning agents as they may damage the disc.
- Never write on a CD or attach any stickers to it.

## Troubleshooting

---

If a fault occurs, first check the points listed below before taking the set for repair. If you are unable to remedy a problem by following these hints, consult your dealer or service centre.

**WARNING:** Do not open the set as there is a risk of electric shock. Under no circumstances should you try to repair the set yourself, as this will invalidate the guarantee.

### Problem

### Solution

#### No sound

- Volume not adjusted. Adjust the VOLUME.

#### Buttons fail to react

- Electrostatic discharge  
Press RESET or disconnect the set from power supply and reconnect the set after 5 minutes.

#### CD playback does not work

- CD badly scratched or dirty.  
Replace/clean CD
- Laser lens steamed up  
Wait until lens has cleared
- Laser lens dirty  
Clean lens by playing a CD lens cleaning disc
- CD-R is non-finalized.  
Use a finalized CD-R

#### Occasional cracking sound during FM broadcast

- Weak signal  
Extend power cord fully

#### Continuous cracking/hiss disturbances during AM broadcasting

- Electrical interference from TVs, computers, fluorescent lamps, etc.  
Move the set away from other electrical equipment

#### The alarm does not function

- Alarm not set  
See **Setting the alarm time**.
- Alarm mode not selected  
See **Selecting the alarm mode**
- No CD is inserted as CD is selected as Alarm mode  
Insert a CD

*The type plate is located on the bottom of the set.*

## PHILIPS LIMITED WARRANTY ONE (1) YEAR

### WARRANTY COVERAGE:

Philips warranty obligation is limited to the terms set forth below.

### WHO IS COVERED:

Philips warrants the product to the original purchaser or the person receiving the product as a gift against defects in materials and workmanship as based on the date of original purchase ("Warranty Period") from an Authorized Dealer. The original sales receipt showing the product name and the purchase date from an authorized retailer is considered such proof.

### WHAT IS COVERED:

The Philips warranty covers new products if a defect arises and a valid claim is received by Philips within the Warranty Period. At its option, Philips will either (1) repair the product at no charge, using new or refurbished replacement parts, or (2) exchange the product with a product that is new or which has been manufactured from new, or serviceable used parts and is at least functionally equivalent or most comparable to the original product in Philips current inventory, or (3) refund the original purchase price of the product.

Philips warrants replacement products or parts provided under this warranty against defects in materials and workmanship from the date of the replacement or repair for ninety (90) days or for the remaining portion of the original product's warranty, whichever provides longer coverage for you. When a product or part is exchanged, any replacement item becomes your property and the replaced item becomes Philips' property. When a refund is given, your product becomes Philips' property.

**Note: Any product sold and identified as refurbished or renewed carries a ninety (90) day limited warranty.**

Replacement product can only be sent if all warranty requirements are met. Failure to follow all requirements can result in delay.

### WHAT IS NOT COVERED - EXCLUSIONS AND LIMITATIONS:

This Limited Warranty applies only to the new products manufactured by or for Philips that can be identified by the trademark, trade name, or logo affixed to it. This Limited Warranty does not apply to any non-Philips hardware product or any software, even if packaged or sold with the product. Non-Philips manufacturers, suppliers, or publishers may provide a separate warranty for their own products packaged with the bundled product.

Philips is not liable for any damage to or loss of any programs, data, or other information stored on any media contained within the product, or any non-Philips product or part not covered by this warranty. Recovery or reinstallation of programs, data or other information is not covered under this Limited Warranty.

This warranty does not apply (a) to damage caused by accident, abuse, misuse, misapplication, or non-Philips product, (b) to damage caused by service performed by anyone other than Philips or Philips Authorized Service Location, (c) to a product or a part that has been modified without the written permission of Philips, or (d) if any Philips serial number has been removed or defaced, or (e) product, accessories or consumables sold "AS IS" without warranty of any kind by including refurbished Philips product sold "AS IS" by some retailers.

### This Limited Warranty does not cover:

- Shipping charges to return defective product to Philips.
- Labor charges for installation or setup of the product, adjustment of customer controls on the product, and installation or repair of antenna systems outside of the product.
- Product repair and/or part replacement because of improper installation, connections to improper voltage supply, abuse, neglect, misuse, accident, unauthorized repair or other cause not within the control of Philips.
- Damage or claims for products not being available for use, or for lost data or lost software.
- Damage occurring to product during shipping.
- A product that requires modification or adaptation to enable it to operate in any country other than the country for which it was designed, manufactured, approved and/or authorized, or repair of products damaged by these modifications.
- A product used for commercial or institutional purposes (including but not limited to rental purposes).
- Product lost in shipment and no signature verification receipt can be provided.
- Failure to operate per Owner's Manual.

### TO OBTAIN ASSISTANCE IN THE U.S.A., PUERTO RICO, OR U.S. VIRGIN ISLANDS.

Contact Philips Customer Care Center at:  
1-888-PHILIPS (1-888-744-5477)

### TO OBTAIN ASSISTANCE IN CANADA...

1-800-661-6162 (French Speaking)  
1-888-PHILIPS (1-888-744-5477) - (English or Spanish Speaking)

REPAIR OR REPLACEMENT AS PROVIDED UNDER THIS WARRANTY IS THE EXCLUSIVE REMEDY FOR THE CONSUMER. PHILIPS SHALL NOT BE LIABLE FOR ANY INCIDENTAL OR CONSEQUENTIAL DAMAGES FOR BREACH OF ANY EXPRESS OR IMPLIED WARRANTY ON THIS PRODUCT. EXCEPT TO THE EXTENT PROHIBITED BY APPLICABLE LAW, ANY IMPLIED WARRANTY OF MERCHANTABILITY OR FITNESS FOR A PARTICULAR PURPOSE ON THIS PRODUCT IS LIMITED IN DURATION TO THE DURATION OF THIS WARRANTY.

Some states do not allow the exclusions or limitation of incidental or consequential damages, or allow limitations on how long an implied warranty lasts, so the above limitations or exclusions may not apply to you.

*This warranty gives you specific legal rights. You may have other rights which vary from state/province to state/province.*

Philips, P.O. Box 671539, Marietta, GA, 30006-0026

31.21.233.48801

## Canada

### English:

This digital apparatus does not exceed the Class B limits for radio noise emissions from digital apparatus as set out in the Radio Interference Regulations of the Canadian Department of Communications.

### Français:

Cet appareil numérique n'émet pas de bruits radioélectriques dépassant les limites applicables aux appareils numériques de Classe B prescrites dans le Règlement sur le Brouillage Radioélectrique édité par le Ministère des Communications du Canada.

## CAUTION

**Use of controls or adjustments or performance of procedures other than herein may result in hazardous radiation exposure or other unsafe operation.**

*This product complies with the FCC-Rules, Part 15 and with 21 CFR 1040.10. Operation is subject to the following two conditions:*

1. *This device may not cause harmful interference, and*
2. *this device must accept any interference received, including interference that may cause undesired operation.*

## Environmental information

All unnecessary packaging material has been omitted. The packaging can be easily separated into three materials: cardboard, polystyrene and plastic.

**Your set consists of materials which can be recycled if disassembled by a specialized company. Please observe the local regulations regarding the disposal of packaging, dead batteries and old equipment.**