



Blender Solution™ 5000

User's Guide

Manuel d'utilisation



© Back To Basics Products, Inc.



INTRODUCTION

BLENDER SOLUTION™ 5000

Congratulations! We hope you enjoy your new Back to Basics® Blender Solution™ 5000. The Blender Solution™ is designed for endless blending and chopping possibilities and easy clean-up capabilities. The Blender Solution™ has been designed with three speeds (low, medium, and high), as well as a pulse function that lets you purée, blend, mix, chop and liquefy your favorite fresh ingredients to make gourmet soups, homemade salsas, icy cocktails, thick and delicious frozen smoothies and shakes, baby food and more.

The Blender Solution™ is two appliances combined into one.

- Use the Blender Attachment to make gourmet soups, to smoothly blend creamy salad dressings, to puree baby food, salsa or to mix batters for homemade multigrain pancakes and waffles.
- Use the Smoothie Maker Attachments to quickly and easily blend and dispense perfect fruit smoothies, icy cocktails, frozen coffee and thick shakes.

The powerful 500-watt/700-watt pulse power motor, specially-designed stainless steel blades and 3-speed operation work together to precisely blend and chop all types of ingredients for exact recipe specifications. The smoothie maker blade base has been specifically designed with heavy stainless steel blades to easily crush ice and frozen fruit. The blender blade base also can be used to make smoothies and other frozen drinks. Both are built to accommodate the revolutionary stir stick, which when rotated counter-clockwise, increases blending efficiency. The 48-ounce glass mixing jar has a spill-proof pour spout and is dishwasher-safe.

Enjoy!





WARRANTY

ONE-YEAR LIMITED WARRANTY

Back to Basics Products, Inc., warrants your new Blender Solution™ 5000 to be free from defects in materials and workmanship under normal household use for a period of 1 year from the date of purchase. During this period, such defects will be repaired or the product replaced at Back to Basics® discretion without charge. This warranty does not cover exterior or interior finish or damage caused by misuse, accident or negligence.

A purchase receipt or other proof of date of original purchase will be required before warranty service is rendered. Please fill out and return the warranty registration card located on page 19.

If a problem with this houseware item develops during or after the warranty period, please contact Back to Basics Products, Inc. for service.

If service is required:

- Send a brief letter explaining the problem. Be sure to include your name, address, and phone number.
- For faster service, call 1.800.688.1989 or e-mail: service@btbproducts.com.
- Most service problems are resolved with the replacement of a part. If this is not the case, we will give you instructions for returning the unit.

Any appliance submitted for repair must be sent (transportation charges prepaid) to:

Back to Basics Products, Inc.
675 West 14600 South
Bluffdale, UT 84065

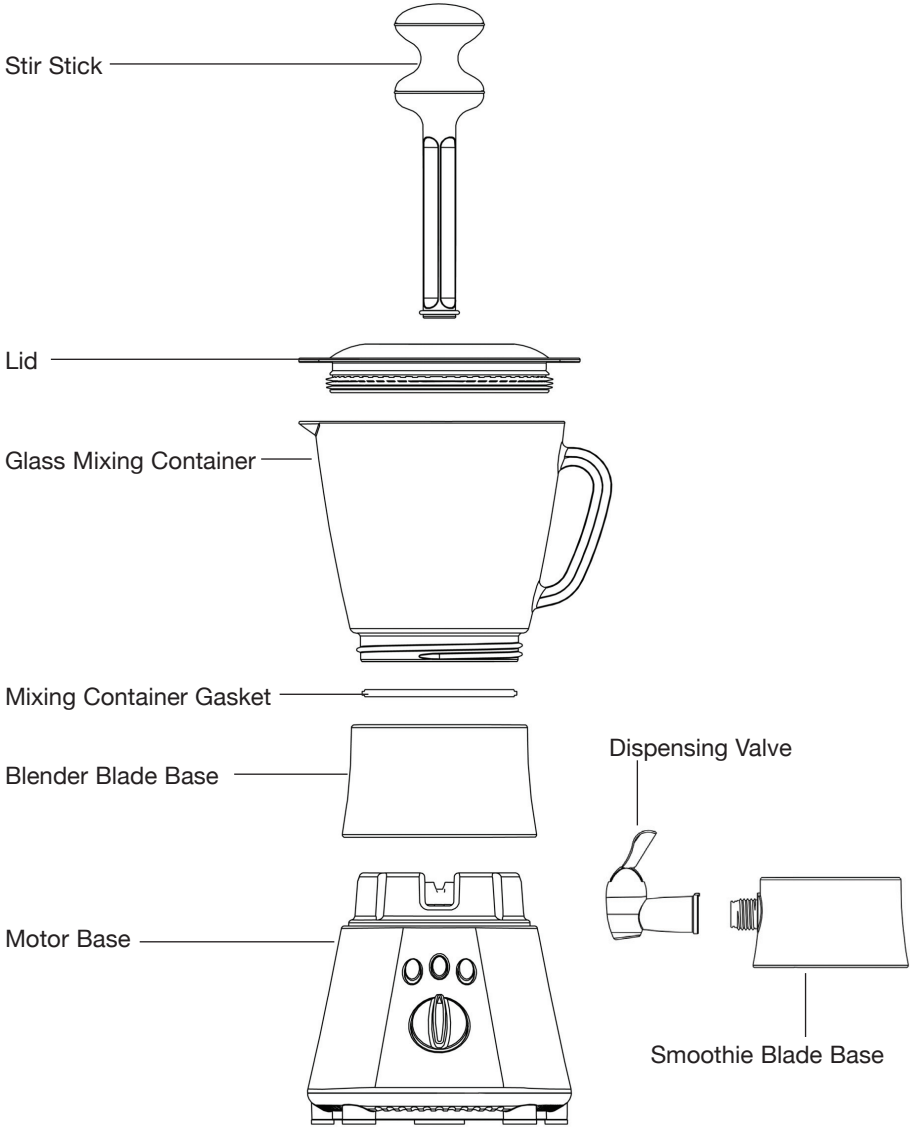
If you have any questions concerning the use or care of this product, or comments regarding your experience with the product, please write a letter explaining the nature of your concern.





QUICK REFERENCE

Blender Solution™ 5000 Parts





IMPORTANT SAFEGUARDS

WARNING

WARNING: This appliance is not a toy. Close adult supervision is necessary when used by or near children. Please do not leave this unit unattended with children.

When using electrical appliances, basic safety precautions should always be followed:

- Read all instructions.
- To protect against risk of electrical shock do not put cord, plug or motor in water or other liquid.
- Close supervision is necessary when any appliance is used by or near children.
- Unplug appliance from outlet when not in use, before putting on or taking off parts, and before cleaning.
- Make sure appliance is OFF when not in use, before putting on or taking of parts, and before cleaning.
- Avoid contacting moving parts.
- Do not operate any appliance with a damaged cord or plug or after the appliance malfunctions, or is dropped or damaged in any manner. Return appliance to Back to Basics for examination, repair or electrical or mechanical adjustment.
- The use of attachments, including canning jars, not recommended by the manufacturer may cause a risk of injury to persons.
- Do not use outdoors.
- Do not let cord hang over edge of table or counter.
- Do not let cord contact hot surface, including the stove.
- Do not use this appliance for other than it's intended use.
- Keep hands and utensils (other than included stir stick) out of container while blending to reduce the risk of severe injury to persons or damage to the appliance. A scraper may be used but must be used only when the blender is not running.
- Blades are sharp. Handle carefully.
- To reduce the risk of injury, never place cutter-assembly blades on base without jar properly attached.



IMPORTANT SAFEGUARDS

- Always operate blender with lid in place.
- When blending hot liquids, remove center piece of two-piece lid.
- Keep hands and utensils out of container to reduce the risk of injury to persons or damage to the mixer.
- Be sure to turn switch to OFF position after each use.
- Never add ingredients to container while appliance is operating.
- Container must be properly in place before operating appliance.
- The use of accessory attachments not recommended or sold by Back to Basics may cause fire, electrical shock or injury.
- Do not place on or near a hot gas or electrical burner or in a heated oven.
- Turn off machine before removing the mixing container from the base and before placing the mixing container on the base.
- Do not run motor without mixing container properly attached to motor base or when mixing container is empty.
- Do not blend excessively hot liquids. Never pour boiling water into the mixing container.
- Be sure to turn switch to OFF position after each use.
- To disconnect, grip plug and pull from wall outlet. Never pull on cord to disconnect.
- Never leave the house while the appliance is on.
- A short cord set is provided to reduce the hazards resulting from becoming entangled in or tripping over a longer cord.
- Extension cords may be used if care is exercised in use. The marked electrical rating of the extension cord should be at least as great as the electrical rating of the appliance. The extension cord should be arranged so that it will not drape over the counter top where it can be tripped over or pulled by children.
- After running the motor continuously for three minutes, wait at least five minutes before running the motor again.



IMPORTANT SAFEGUARDS

- This appliance has a polarized plug (one blade is wider than the other). To reduce risk of electric shock, this plug will fit into a polarized outlet only one way. If the plug does not fit fully into the outlet, reverse the plug. If it still does not fit, contact a qualified electrician. Do not modify the appliance plug in any way.

**SAVE THESE INSTRUCTIONS.
INTENDED FOR HOUSEHOLD USE
ONLY.**

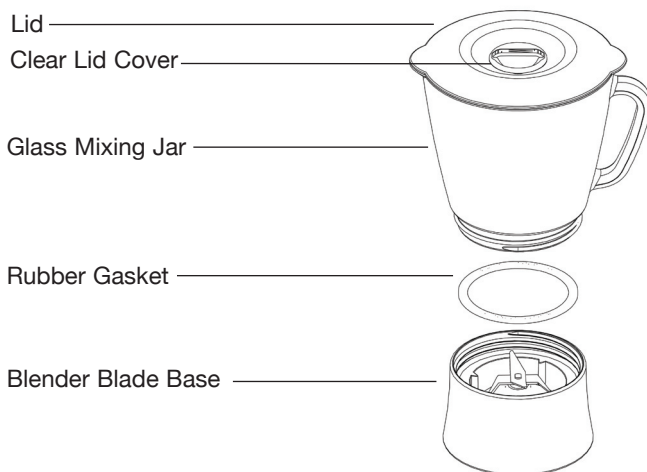




ASSEMBLY

Use and Care (Assembly)

To use your Blender Solution™ 5000, begin by assembling the glass mixing jar.



1. Position the rubber gasket down onto the circular flat surface in the plastic blender or smoothie blade base.
2. Place the bottom threaded section of the glass mixing jar down into the plastic blade base. Engage threads by twisting the blade base clockwise until tightened onto the jar. Make sure that the blade base is tightly fastened to the jar and that the rubber gasket is properly compressed between the jar and the plastic blade base.
3. Push the lid onto the top of the mixing jar. Place the clear lid cap in the center of the lid or place the stir stick through the center of the lid.
4. Place the mixing jar onto the motor base so that the bottom of the blade base is sitting flat on the motor base.
5. Plug in the cord. Your Blender Solution™ 5000 is now ready to use!



OPERATION

BLENDER SOLUTION™ 5000 CONTROL BUTTONS

OFF shuts off the machine.

MEDIUM runs the Blender Solution™ at medium speed.

LOW runs the Blender Solution™ at low speed. This speed should be used for the initial 30 seconds of mixing as well as for dispensing.



ON turns on the machine.

PULSE runs the Blender Solution™ at high speed.

HIGH runs the Blender Solution™ at high speed. This speed should be used for the final stages of mixing. Do not use this speed for dispensing.

BLENDER OPERATION

1. Assemble the blender blade base onto the glass mixing jar.
2. Add ingredients to the mixing jar and replace the lid. You may add more ingredients through the hole in the center of the lid. (Note: Add liquid ingredients first, then add frozen or solid ingredients. This will prevent excessive wear and stress on the motor). Cover the hole with the clear lid cap or stir stick during operation.
3. **TO START BLENDING:** Choose a speed for blending the ingredients on the dial switch and then press the ON button.
4. **TO STOP BLENDING:** To stop the blending process, push the OFF button.
5. **PULSE MODE:** The PULSE button allows you to create short bursts of power. To use the PULSE function, repeatedly push and release the PULSE button. The PULSE function should be used in the initial stage of blending ice and frozen ingredients for smoothies and other frozen drinks. The PULSE function should also be used to break apart larger pieces of food or to control the texture of food when chunkier results are desired.

OPERATION

SPEED SELECTION GUIDE

INGREDIENTS:	SPEED:	RESULT:
Salsa	Low	Chunky
Nuts	Low	Coarse
Bread, Cookies, Crackers	Low	Coarse
Heavy Whipping Cream	Low	Thick
Mayonnaise	Medium	Creamy
Salad Dressing	Medium	Creamy
Cheese	Pulse and then Medium	Coarse
Grating / Chopping Citrus Zest	Medium	Fine
Smoothies, Cocktails, Shakes	Pulse and then High	Thick and Smooth
Baby Foods / Fruit & Vegetable purees	High	Smooth and Creamy
Spices	High	Fine

SMOOTHIE MAKER OPERATION

The Blender Solution™ 5000 mixing jar is conveniently marked to create perfect smoothies for two or four servings. To make a frozen blend of your favorite healthy foods, follow these simple steps:

1. Assemble the smoothie maker blade base (with dispensing valve) onto the glass mixing jar and place the stir stick through the hole in the center of the lid of the glass mixing jar.
2. **Add Liquids:** Add any combination of liquid ingredients up to the LIQUIDS mark. Liquids include any soft ingredients such as fruit, milk, fruit juice, herbal supplements or yogurt in any combination that you think would be tasty.
3. **Add Ice:** Add ice or frozen ingredients until the total level reaches the FROZEN INGREDIENTS line on the side of the mixing container. Frozen ingredients include ice, frozen fruit, frozen yogurt, ice cream, etc.



OPERATION

4. **Smooth It:** With the lid on and the stir stick set in the hole in the center of the lid, press and release the PULSE button 3 to 5 times to get things started. Next, move the switch to LOW for about 30 seconds. Finally, move the switch to HIGH. Continue until smooth. Turn the stir stick counter-clockwise for best mixing results.
5. **Serve It:** To serve the smoothie, move the dial to LOW, hold a cup under the valve, and with the motor running, press down on the valve lever. Stir the smoothie with the stir stick while dispensing thick smoothies. As the smoothie level reaches the bottom of the glass mixing jar, a thick mix may stop dispensing. Add a few tablespoons of liquid to increase flow. When the glass mixing jar is empty, shut off the machine. Enjoy!
6. You can continue making smoothies one after another. When you are finished, be sure to wash thoroughly the glass mixing jar, dispensing valve, lid and stir stick. See care and cleaning on page 13.





OPERATION

TIPS FOR GENERAL OPERATION

- **Thicker Smoothies:** To make a thicker smoothie, add more **frozen** ingredients.
- **Thinner Smoothies:** To make a thinner smoothie, add more **liquid** ingredients.
- Always add liquid ingredients to the glass mixing jar first and then add remaining ingredients. This will prevent excessive wear on the motor and ensure that the ingredients are properly blended.
- Cut harder foods (e.g. cheese) into approximately 1 inch cubes to achieve better chopping results.
- The stir stick may be used to assist in making frozen drinks or for blending any other types of ingredients. When the stir stick is not being used, be sure to place the clear lid cover over the hole in the center of the lid.
- When chopping dry ingredients such as bread crumbs, nuts, spices, etc., make sure that the glass mixing jar and blade base is completely dry.
- The PULSE button should be operated in short bursts. As the PULSE button is pressed and released, the blades should stop rotating between pulses.
- Do not attempt to mix or knead heavy dough, mash potatoes or beat egg whites.
- Do not over-blend foods. Most ingredients should be properly blended or chopped in seconds. Do not operate motor base for longer than 3 minutes at a time.
- If the motor stalls, turn off and unplug the unit. Remove a portion of the ingredients before attempting to continue.
- Do not add boiling liquids to the glass mixing jar.

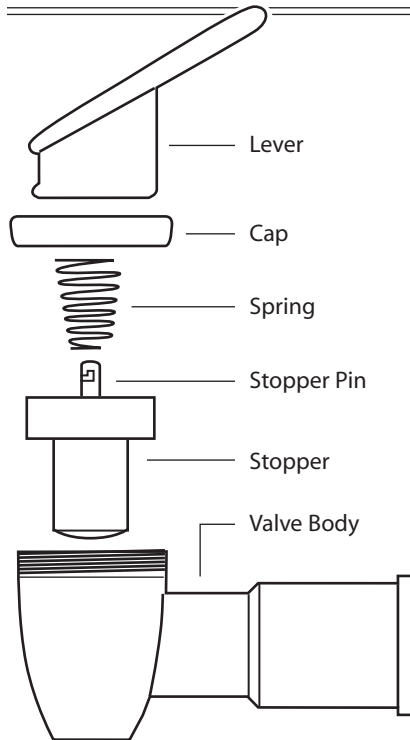


CLEANING

CARE AND CLEANING

Before using your Blender Solution™ 5000 for the first time and after each use, be sure to thoroughly wash the glass mixing jar, blender blade base, smoothie blade base, dispensing valve, lid and stir stick. To prolong the life of your Blender Solution™ 5000, **do not wash plastic parts in the dishwasher.** Open the dispensing valve while washing to rinse out the valve. After each use, unscrew and disassemble the dispensing valve for cleaning (see instructions below).

If you experience any problem with your machine, unplug it immediately from the electrical outlet, then contact Back to Basics® at 1.800.688.1989.



CLEANING DISPENSING VALVE ASSEMBLY

To disassemble valve for cleaning:

1. Remove the valve from the smoothie blade base by unscrewing the entire valve counter-clockwise .
2. Remove the cap from the valve body by unscrewing it counter-clockwise.
3. Squeeze cap and stopper together and slide the lever off the stopper pin.
4. Remove the spring.
5. Remove the stopper and stopper pin by pulling the rubber rim of the stopper. The stopper and pin are tightly fitted and need not be separated.
6. Clean all parts in warm soapy water and reassemble in the order shown.



RECIPES

STRAWBERRY BANANA SUPREME SMOOTHIE

1 cup	strawberry nectar or apple juice
1 cup	milk
1	frozen banana (chunks)
2½ cups	frozen strawberries
1 cup	strawberry yogurt

Pour in all liquid ingredients. Add all frozen ingredients. Blend at PULSE setting for 30 seconds; then blend until smooth. While the machine is running, move the Stir Stick around counter-clockwise to aid mixing. Serve immediately. Makes 3–5 servings.

MANGO TANGO SMOOTHIE

1 cup	pineapple juice
1 cup	orange juice
½	frozen banana (chunks)
1 cup	pineapple sherbet
1½ cups	frozen mango slices

Pour in all liquid ingredients. Add all frozen ingredients. Blend at PULSE setting for 30 seconds; then blend until smooth. While the machine is running, move the Stir Stick around counter-clockwise to aid mixing. Serve immediately. Makes 3–5 servings.

BERRY BLAST SMOOTHIE

1 cup	apple juice
1½ cups	lemonade
1 cup	frozen raspberries
½ cup	frozen strawberries
1 cup	raspberry sherbet

Pour in all liquid ingredients. Add all frozen ingredients. Blend at PULSE setting for 30 seconds; then blend until smooth. While the machine is running, move the Stir Stick around counter-clockwise to aid mixing. Serve immediately. Makes 3–5 servings.





RECIPES

RASPBERRY CREAM SMOOTHIE

1 cup	orange juice
1 cup	raspberry yogurt
1 cup	vanilla frozen yogurt
½	frozen banana (chunks)
1½ cups	frozen raspberries

Pour in all liquid ingredients. Add all frozen ingredients. Blend at PULSE setting for 30 seconds; then blend until smooth. While the machine is running, move the Stir Stick around counter-clockwise to aid mixing. Serve immediately. Makes 3–5 servings.

ORANGE BANANA CREAM SMOOTHIE

1 cup	milk
1½ cups	orange juice
½ tsp.	vanilla
½	frozen banana (chunks)
1 cup	vanilla frozen yogurt
½ cup	orange yogurt
3 tbs.	orange juice concentrate

Pour in all liquid ingredients. Add all frozen ingredients. Blend at PULSE setting for 30 seconds; then blend until smooth. While the machine is running, move the Stir Stick around counter-clockwise to aid mixing. Serve immediately. Makes 3–5 servings.

RASPBERRY SUNRISE SMOOTHIE

2½ cups	orange juice
1½ cups	frozen raspberries
1 cup	raspberry sherbet
1 cup	ice

Pour in all liquid ingredients. Add all frozen ingredients. Blend at PULSE setting for 30 seconds; then blend until smooth. While the machine is running, move the Stir Stick around counter-clockwise to aid mixing. Serve immediately. Makes 3–5 servings.





RECIPES

LEMON LOUIE SMOOTHIE

2 cups	lemonade
1 cup	lemon yogurt
1½ cups	frozen pineapple (chunks)
1 cup	pineapple sherbet
1 cup	ice

Pour in all liquid ingredients. Add all frozen ingredients. Blend at PULSE setting for 30 seconds; then blend until smooth. While the machine is running, move the Stir Stick around counter-clockwise to aid mixing. Serve immediately. Makes 3–5 servings.

PEACH REFRESHER SMOOTHIE

2 cups	peach nectar or apple juice
1 cup	vanilla frozen yogurt
½	banana
1 cup	peach yogurt
1½ cups	frozen peach slices

Pour in all liquid ingredients. Add all frozen ingredients. Blend at PULSE setting for 30 seconds; then blend until smooth. While the machine is running, move the Stir Stick around counter-clockwise to aid mixing. Serve immediately. Makes 3–5 servings.

BANANA LIME SUBLIME SMOOTHIE

2 cups	limeade
1	banana
1 cup	lime sherbet
3 tbs.	coconut milk
1 cup	ice

Pour in all liquid ingredients. Add all frozen ingredients. Blend at PULSE setting for 30 seconds; then blend until smooth. While the machine is running, move the Stir Stick around counter-clockwise to aid mixing. Serve immediately. Makes 3–5 servings.





RECIPES

PIÑA COLADA SMOOTHIE

5 tbs.	coconut milk
2½ cups	pineapple juice
½ cup	vanilla ice cream
½	frozen banana (chunks)
1½ cups	frozen pineapple (chunks)

Pour in all liquid ingredients. Add all frozen ingredients. Blend at PULSE setting for 30 seconds; then blend until smooth. While the machine is running, move the Stir Stick around counter-clockwise to aid mixing. Serve immediately. Makes 3–5 servings.

STRAWBERRY LEMON SURPRISE SMOOTHIE

2 cups	lemonade
2 cups	frozen strawberries
1 cup	strawberry yogurt

Pour in all liquid ingredients. Add all frozen ingredients. Blend at PULSE setting for 30 seconds; then blend until smooth. While the machine is running, move the Stir Stick around counter-clockwise to aid mixing. Serve immediately. Makes 3–5 servings.

HAWAIIAN HOLIDAY SMOOTHIE

1 cup	passion fruit nectar
1 cup	guava nectar
1 cup	orange sherbet
½ cup	frozen strawberries
½ cup	frozen mango slices
4 tbs.	coconut milk
1 cup	strawberry yogurt
½ cup	frozen banana in (chunks)

Pour in all liquid ingredients. Add all frozen ingredients. Blend at PULSE setting for 30 seconds; then blend until smooth. While the machine is running, move the Stir Stick around counter-clockwise to aid mixing. Serve immediately. Makes 3–5 servings.





RECIPES

LOW-FAT STRAWBERRY ORANGE SMOOTHIE

2 cups	strawberries
½ cup	orange juice
1 cup	skim milk
1 cup	plain nonfat yogurt
1 cup	ice

Pour in all liquid ingredients. Add all frozen ingredients. Blend at PULSE setting for 30 seconds; then blend until smooth. While the machine is running, move the Stir Stick around counter-clockwise to aid mixing. Serve immediately. Makes 3–5 servings.

LEMONADE WATERMELON SOOTHER

2 cups	watermelon (pulp, not rind)
3 oz	frozen lemonade concentrate (½ of a 6 oz can)
1 cup	lemon/lime soda
1 tsp.	grenadine syrup
1-2 cups	ice, to desired consistency
*add water if necessary	

Pour in all liquid ingredients. Add all frozen ingredients. Blend at PULSE setting for 30 seconds; then blend until smooth. While the machine is running, move the Stir Stick around counter-clockwise to aid mixing. Serve immediately. Makes 3–5 servings.

CHOCOLATE TREAT

3.5 oz	package of instant chocolate pudding mix
1½ cups	milk
1½ cups	ice
1	banana

Pour in all liquid ingredients. Add all frozen ingredients. Blend at PULSE setting for 30 seconds; then blend until smooth. While the machine is running, move the Stir Stick around counter-clockwise to aid mixing. Serve immediately. Makes 3–5 servings.



WARRANTY

Please complete and return this product warranty card or register your product online at: backtobasicsproducts.com within 10 days of purchase.

THIS INFORMATION IS FOR INTERNAL USE ONLY

Mr. Mrs. Ms.

Model: **Blender Solution™ 5000**

1. Name _____

2. Address _____

City _____ State _____ Zip Code _____

3. E-Mail Address _____

4. Age: 18-24 25-34 35-49 50+

5. Marital Status: Married Single

6. Number of Children in the House : 12 yrs and under _____ 13-18 yrs _____

7. Income: Below \$25,000 \$25,001-\$50,000 \$50,001-\$75,000 \$75,001+

8. Where was this product purchased? _____

9. How did you become aware of this product?

- | | |
|---|---|
| <input type="checkbox"/> Gift | <input type="checkbox"/> Recommendation from friend |
| <input type="checkbox"/> TV advertisement | <input type="checkbox"/> Saw product in store |
| <input type="checkbox"/> Print ad | <input type="checkbox"/> TV shopping program |
| <input type="checkbox"/> Magazine article | <input type="checkbox"/> Internet |
| | <input type="checkbox"/> Other _____ |

10. What were the two most important reasons influencing your purchase:

- | | |
|---|---|
| <input type="checkbox"/> Gift | <input type="checkbox"/> Recommended by sales person |
| <input type="checkbox"/> Special offer | <input type="checkbox"/> Recommended by friend |
| <input type="checkbox"/> Product appearance | <input type="checkbox"/> Prior experience with Back to Basics |
| <input type="checkbox"/> Ease of operation | <input type="checkbox"/> Back to Basics brand reputation |
| <input type="checkbox"/> Quality/durability | <input type="checkbox"/> Value for price |
| <input type="checkbox"/> Product features | <input type="checkbox"/> Product packaging |
| | <input type="checkbox"/> Other _____ |

11. Why did you purchase this Back to Basics product?

- To replacement/upgrade current product
 Not satisfied with current product(s) already owned
 First product(s) ever owned
 Received as a gift

12. Would you be interested in being contacted via e-mail for promotions, recipes, new product information, etc.? YES NO

COMMENTS _____



Fold here and mail registration card within 10 days of purchase to validate warranty.

Place
Stamp
Here

BACK TO BASICS PRODUCTS, INC.
675 West 14600 South
Bluffdale, UT 84065 USA



MÉLANGEUR BLENDER SOLUTION^{MC} 5000

Félicitations! Nous espérons que votre nouveau mélangeur Blender Solution^{MC} 5000 de Back to BasicsMD vous procurera entière satisfaction. Le mélangeur Blender Solution^{MC} est doté de capacités de mélange et de broyage infinies tout en étant facile à nettoyer. Le mélangeur Blender Solution^{MC} comporte quatre vitesses (faible, moyenne, élevée et pulsations) qui vous permettent de créer des purées et de mélanger, broyer et liquéfier vos ingrédients frais préférés pour préparer des soupes gastronomiques, des salsas maison, des cocktails glacés, de délicieuses boissons fouettées glacées consistantes, des laits frappés, des aliments pour bébé et plus encore.

Le mélangeur Blender Solution^{MC}, c'est deux appareils en un.

- Utilisez le mélangeur pour préparer des soupes gastronomiques, créer d'onctueuses vinaigrettes, pour transformer les aliments en purée pour bébé ou en salsa, ou pour mélanger de la pâte à crêpes et à gaufres multigrain maison.
- Utilisez les accessoires de la machine à boisson fouettée pour mélanger et servir vite et facilement de délicieuses boissons fouettées aux fruits, des cocktails glacés, des boissons au café glacées et des laits frappés onctueux.

Le puissant moteur de 500 watts ou de 700 watts en mode pulsations, les lames en acier inoxydable spécialement conçues et le système de commande à quatre/trois vitesses travaillent ensemble à mélanger et hacher tout type d'ingrédient à la perfection, selon les directives précises de vos recettes. La base de lame de la machine à boisson fouettée est spécialement conçue et pourvue de lames en acier inoxydable qui permettent de broyer facilement la glace et les fruits congelés. On peut également utiliser la base de lame du mélangeur pour préparer des boissons fouettées et glacées. Les deux sont conçues pour recevoir le révolutionnaire bâtonnet mélangeur lequel, lorsqu'il est actionné dans le sens antihoraire, accroît l'homogénéité du mélange. Le récipient de mélange en verre épais d'une capacité de 1,42 litre (48 onces) est pourvu d'un bec verseur antigouttes et il est lavable au lave-vaisselle.

Concoctez de délicieuses recettes!

GARANTIE

GARANTIE LIMITÉE D'UN AN

Back to Basics Products, Inc. garantit votre nouveau mélangeur Blender Solution^{MC} 5000 contre tout défaut de pièces et de main-d'œuvre dans des conditions normales d'utilisation ménagère pendant une période de 12 mois (un an) à compter de la date d'achat. Au cours de cette période, Back to Basics^{MD}, à son choix, réparera l'appareil ou le remplacera sans frais. La présente garantie ne couvre pas les finis extérieur ou intérieur de l'appareil, ni les dommages qui découlent d'une mauvaise utilisation, d'un accident ou de négligence.

Le reçu d'achat ou une autre preuve de la date d'achat originale sera exigé avant d'exécuter tout service lié à la garantie. Veuillez remplir et retourner la fiche d'enregistrement de la garantie que vous trouverez à la page 33.

En cas de problème avec cet appareil pendant la période de garantie ou après son expiration, veuillez communiquer avec Back to Basics Products, Inc. pour obtenir du service.

Si l'appareil doit être réparé :

- Faites-nous parvenir une brève lettre dans laquelle vous expliquez le problème. N'oubliez pas d'inscrire vos nom, adresse et numéro de téléphone.
- Pour un service plus rapide, veuillez communiquer avec le service à la clientèle en composant le 1 800 688-1989 ou envoyez un courriel à l'adresse service@btbproducts.com.
- Le remplacement d'une pièce brisée ou défectueuse résout habituellement la plupart des problèmes. Si tel n'est pas le cas, nous vous transmettrons des directives afin que vous puissiez nous retourner l'appareil.

Veuillez envoyer (port payé) tout appareil devant être réparé à l'adresse suivante :

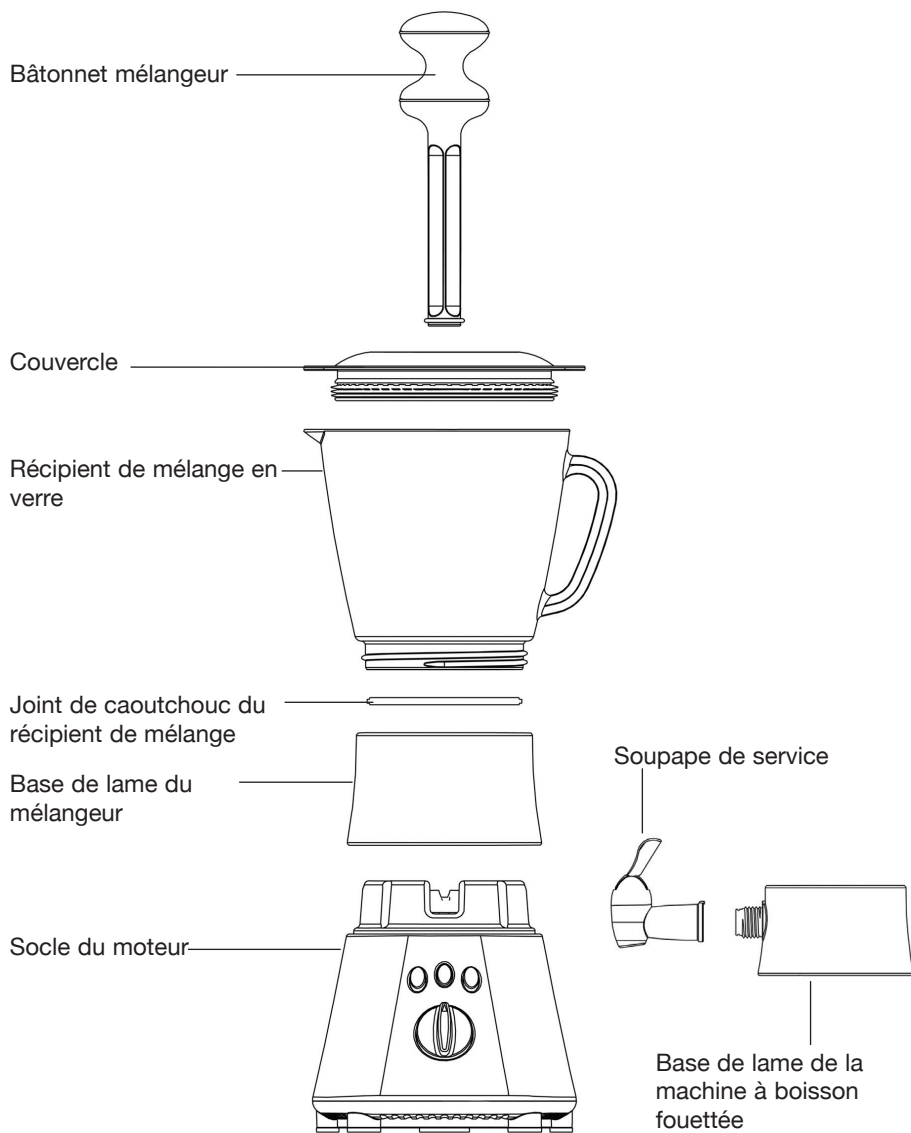
Back to Basics Products, Inc.
675 West 14600 South
Bluffdale, UT 84065 USA

Si vous avez des questions au sujet de l'utilisation et de l'entretien de ce produit ou si vous avez des commentaires à formuler relativement à votre expérience avec le produit, veuillez nous transmettre une lettre explicative à cet effet.



AIDE-MÉMOIRE

Pièces du mélangeur Blender Solution^{MC} 5000



CONSIGNES DE SÉCURITÉ IMPORTANTES



AVERTISSEMENT

AVERTISSEMENT : Cet appareil n'est pas un jouet. La prudence est de rigueur lorsque l'appareil est utilisé à proximité d'enfants. Ne pas laisser les enfants utiliser cet appareil sans surveillance.

On doit observer des mesures de sécurité élémentaires lors de l'utilisation de tout appareil électrique :

- Lire le mode d'emploi.
- Pour éviter les chocs électriques, ne jamais immerger le cordon d'alimentation, la fiche ou le moteur dans l'eau ni dans tout autre liquide.
- Une surveillance attentive est de rigueur lorsque l'appareil est utilisé par des enfants ou à proximité de ceux-ci.
- Débrancher l'appareil lorsqu'il n'est pas utilisé, avant d'installer ou de retirer des pièces et avant de le nettoyer.
- S'assurer que le commutateur est en position « OFF » (arrêt) avant d'installer ou de retirer des pièces et avant de nettoyer l'appareil.
- Éviter de toucher aux pièces mobiles.
- Ne pas utiliser d'appareil électrique dont le cordon ou la fiche est endommagé ou encore un appareil que l'on a échappé ou qui a subi une défaillance ou des dommages quelconques. Retourner l'appareil à Back to BasicsMD qui l'examinera, le réparera ou procédera à un ajustement électrique ou mécanique.
- L'emploi d'accessoires, y compris les bocaux de conserve, qui ne sont pas recommandés par le fabricant peut poser un risque de lésions corporelles.
- Ne pas employer à l'extérieur.
- Ne pas laisser le cordon d'alimentation pendre au bout d'un comptoir ou d'une table.
- Ne pas laisser le cordon entrer en contact avec une surface chaude, y compris la table de cuisson d'une cuisinière.

CONSIGNES DE SÉCURITÉ IMPORTANTES

- Garder les mains et tout ustensile (excepté le bâtonnet mélangeur compris) hors du récipient lorsque ce dernier est en action afin de réduire les risques de blessure corporelle grave ou d'endommager l'appareil. Utiliser une raclette uniquement quand l'appareil est arrêté.
- Les lames sont tranchantes. Les manipuler avec précaution.
- Afin de réduire le risque de blessure, ne pas installer les lames sur le socle sans que le récipient n'y soit bien fixé.
- Lors de l'utilisation de l'appareil, veiller à ce que le couvercle soit toujours installé.
- Lors du mélange de liquides chauds, retirer la partie centrale du couvercle.
- Afin de réduire le risque de blessure corporelle ou d'endommager l'appareil, garder les mains et les ustensiles hors du récipient en tout temps.
- Ne jamais incorporer d'ingrédients lorsque l'appareil est en marche.
- S'assurer que le récipient est bien fixé à la base avant de mettre l'appareil en marche.
- L'usage d'accessoires qui ne sont pas recommandés ni vendus par Back to BasicsMD peut causer un incendie, un choc électrique ou des blessures.
- Ne pas placer l'appareil à proximité d'un élément de cuisson à alimentation électrique ou au gaz ni dans un four chaud.
- Ne pas utiliser l'appareil pour un usage autre que celui auquel il est destiné.
- Arrêter le moteur avant de retirer le récipient de mélange de la base ou de l'y déposer.
- Ne pas faire tourner le moteur si le récipient de mélange n'est pas fixé correctement sur sa base ou s'il est vide.
- Ne pas mélanger de liquides excessivement chauds. Ne jamais verser d'eau bouillante dans le récipient de mélange.

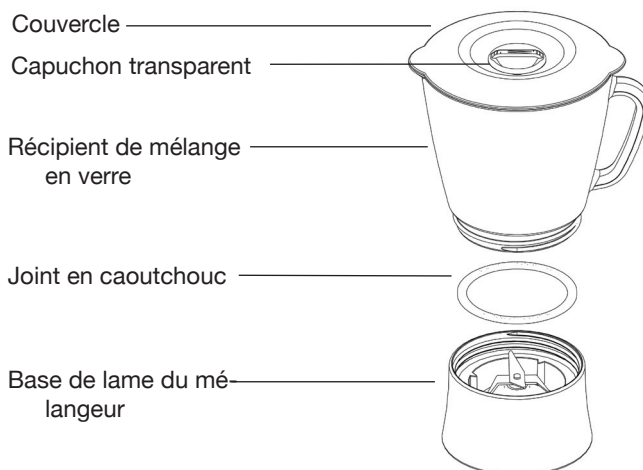
CONSIGNES DE SÉCURITÉ IMPORTANTES

- Veiller à mettre le sélecteur à la position OFF (arrêt) après chaque utilisation.
- Pour débrancher l'appareil, saisir la fiche et la retirer de la prise murale. Ne jamais débrancher l'appareil en tirant sur le cordon d'alimentation.
- Ne jamais quitter la maison pendant que l'appareil est en marche.
- Un cordon d'alimentation court est fourni afin de réduire les risques d'entortillement ou de chute occasionnés par un long cordon.
- Il est possible d'employer une rallonge si on observe les consignes de sécurité. Les caractéristiques électriques de la rallonge doivent être égales ou supérieures à celles de l'appareil. Pour éviter de trébucher sur la rallonge et pour éviter que des enfants tirent dessus, placer cette dernière de façon à ce qu'elle ne pende pas de la surface de travail.
- Lorsque le moteur a tourné sans arrêt pendant trois minutes, l'arrêter et patienter au moins cinq minutes avant de le faire tourner de nouveau.
- Cet appareil est pourvu d'une fiche polarisée (une lame est plus large que l'autre). Pour réduire tout risque de choc électrique, cette fiche ne peut être insérée que d'une seule manière dans une prise de courant polarisée. Si la fiche ne s'insère pas entièrement dans la prise, il faut l'inverser. Si elle n'entre toujours pas dans la prise, communiquer avec un électricien qualifié. Ne modifier la fiche de l'appareil d'aucune façon.

**CONSERVER CES
DIRECTIVES
USAGE DOMESTIQUE
SEULEMENT**

UTILISATION ET ENTRETIEN (ASSEMBLAGE)

Pour pouvoir utiliser votre mélangeur Blender Solution^{MC} 5000, commencez par assembler le récipient de mélange en verre.



- 1 Placez le joint en caoutchouc sur la surface plate circulaire dans la base en plastique de la lame du mélangeur ou dans celle de l'appareil à boisson fouettée.
2. Insérez la partie filetée du récipient de mélange en verre dans la base de lame en plastique. Vissez en tournant dans sens horaire jusqu'à ce que le récipient soit solidement ancré sur la base. Assurez-vous que le récipient de mélange est vissé solidement à la base de lame et que le joint de caoutchouc est bien comprimé entre le récipient et la base de lame en plastique.
3. Mettez le couvercle en place sur le récipient de mélange en exerçant une légère pression. Placez le capuchon transparent ou le bâtonnet mélangeur au centre du couvercle.
4. Placez le récipient de mélange sur la base du moteur de manière à ce que le fond de la base de la lame y soit appuyé à plat.
5. Branchez le cordon d'alimentation. Vous êtes maintenant prêt à utiliser votre mélangeur Blender Solution^{MC} 5000.

BOUTONS DE COMMANDE DU MÉLANGEUR BLENDER SOLUTIONMC

BOUTONS DE COMMANDE DU MÉLANGEUR BLENDER SOLUTION^{MC} 5000

OFF permet d'éteindre l'appareil.

MEDIUM entraîne le moteur du mélangeur Blender Solution^{MC} 5000 à vitesse moyenne.

LOW entraîne le moteur du mélangeur Blender Solution^{MC} 5000 à faible vitesse. On doit utiliser cette vitesse pour les 30 premières secondes de l'opération de mélange ainsi que pour le service.



ON permet de mettre l'appareil en marche.

PULSE lance le mélangeur Blender Solution^{MC} 5000 à haute vitesse par impulsions.

HIGH lance le mélangeur Blender Solution^{MC} 5000 à haute vitesse. Utilisez cette vitesse à l'étape finale du mélange. N'utilisez pas cette vitesse pour le service.

FONCTIONNEMENT DU MÉLANGEUR

1. Fixez la base de lame du mélangeur au récipient de mélange en verre.
2. Incorporez des ingrédients dans le récipient de mélange et replacez le couvercle. Ajoutez les ingrédients par l'orifice au centre du couvercle. (Remarque : incorporez d'abord les ingrédients liquides, ensuite les ingrédients surgelés ou solides. Vous évitez ainsi d'imposer au moteur un effort non nécessaire et en empêchez l'usure prématurée). Couvrez l'orifice au moyen du capuchon transparent pendant le fonctionnement.
3. **POUR COMMENCER À MÉLANGER** : À l'aide du sélecteur, choisissez la vitesse correspondant aux ingrédients à mélanger, puis appuyez sur le bouton ON.
4. **POUR CESSER DE MÉLANGER** : Pour cesser de mélanger, appuyez sur le bouton OFF.
5. **MODE PULSATION** : Le bouton « PULSE » génère de courtes impulsions du moteur. Pour produire des impulsions, appuyez puis relâchez de façon répétée le bouton « PULSE ». Utilisez d'abord le mode de fonctionnement par impulsions « PULSE » pour mélanger des boissons fouettées ou froides à partir de glace ou d'ingrédients surgelés. Utilisez le mode par impulsions pour broyer de gros morceaux d'aliments ou pour contrôler la texture des ingrédients lorsque vous désirez un mélange contenant des morceaux.

FONCTIONNEMENT

GUIDE DE SÉLECTION DE VITESSE

INGRÉDIENTS:	SPEED:	RESULT:
Salsa	Faible	Gros morceaux
Noix	Faible	Gros morceaux
Pain, Biscuits, Craquelins	Faible	Gros morceaux
Crème à fouetter épaisse	Faible	Consistance épaisse
Mayonnaise	Moyen	Consistance crémeuse
Vinaigrette	Moyen	Consistance crémeuse
Fromage	Pulsation puis moyen	Gros morceaux
râpé, zestes d'agrumes hachés	Moyen	Morceaux fins
Boissons fouettées, cocktails, laits frappés	Pulsation puis élevé	Consistance épaisse et onctueuse
Aliments pour bébé, purées de fruits et de légumes	Élevé	Consistance lisse et crémeuse
Épices	Élevé	Morceaux fins

FONCTIONNEMENT DE LA MACHINE À BOISSON FOUETTÉE

Le récipient du mélangeur Blender Solution^{MC} 5000 est gradué afin de permettre la préparation de deux à quatre portions de boisson fouettée parfaites. Pour créer votre boisson santé glacée favorite, suivez ces étapes simples :

1. Fixez la lame de la machine à boisson fouettée (avec soupape de service) au récipient de mélange en verre, puis insérez le bâtonnet mélangeur dans l'orifice au centre du couvercle du récipient en verre.
2. **Ajoutez des liquides** : Ajoutez n'importe quelle combinaison d'ingrédients liquides jusqu'à la marque LIQUIDS (liquides). Les ingrédients mous comme les fruits, le lait, les jus de fruits, les suppléments à base d'herbes et le yogourt sont considérés comme des liquides. Mélangez-les à votre guise en de succulentes boissons.

Bien sûr, nous vous conseillons d'employer les mélanges à boisson frappée Back to Basics pour faire rapidement et facilement trois délicieuses portions de 250 ml (1 tasse/huit onces).



FONCTIONNEMENT

3. **Ajoutez de la glace** : Ajoutez de la glace ou des ingrédients congelés jusqu'à la marque FROZEN INGREDIENTS (aliments congelés) sur le côté du récipient de mélange. La glace, les fruits congelés, le yogourt glacé, la crème glacée sont considérés comme des ingrédients congelés.
4. **Mélangez** : Une fois le couvercle fixé et le bâtonnet mélangeur inséré dans l'orifice au centre du couvercle, actionnez la commande PULSE de trois à cinq reprises. Placez ensuite le sélecteur à la position LOW pendant environ 30 secondes. Passez enfin en vitesse élevée (HIGH). Mélangez jusqu'à l'obtention d'une boisson onctueuse. Pour de meilleurs résultats, actionnez le bâtonnet mélangeur dans le sens antihoraire.
5. **Servez** : Pour servir votre boisson fouettée, placez le sélecteur à la position LOW, placez un verre sous la soupape, puis, le moteur toujours en marche, appuyez sur le levier. Agitez la boisson fouettée à l'aide du bâtonnet pendant que vous versez le mélange crémeux. Il se peut que le mélange restant au fond du récipient soit trop épais pour s'écouler. Ajoutez quelques cuillerées à soupe de liquide pour en améliorer la fluidité. Une fois le récipient de mélange en verre vide, fermez l'appareil. Concoctez de délicieuses recettes!
6. Vous pouvez fouetter des boissons à la suite les unes des autres. Lorsque vous avez terminé, rincez le récipient de mélange en verre, la soupape de service, le couvercle et le bâtonnet mélangeur. Consultez la section intitulée « Entretien et nettoyage » à la page 32.



CONSEILS D'UTILISATION GÉNÉRALE

TIPS FOR GENERAL OPERATION

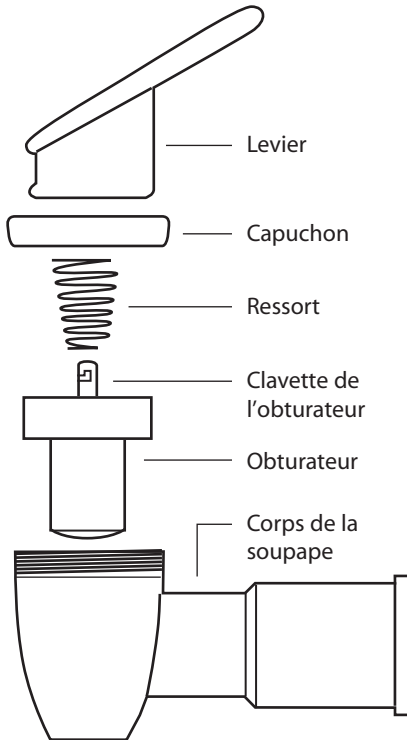
- **Pour des boissons fouettées plus épaisses** : Pour obtenir une boisson fouettée plus onctueuse, ajoutez des ingrédients congelés.
- **Pour des boissons fouettées plus liquides** : Pour obtenir une boisson fouettée plus liquide, ajoutez des ingrédients liquides.
- Incorporez toujours les ingrédients liquides en premier et ensuite les autres ingrédients dans le récipient en verre. Cette façon de procéder permet d'éviter l'usure prématurée du moteur et assure un mélange optimal des ingrédients.
- Pour obtenir de meilleurs résultats, coupez d'abord les aliments durs (p. ex., le fromage) en cubes d'environ 2,5 cm (1 po).
- Utilisez le bâtonnet mélangeur pour mélanger les boissons froides ou tout autre types d'ingrédients. Lorsque vous n'utilisez pas le bâtonnet mélangeur, bouchez l'orifice au centre du couvercle au moyen du capuchon transparent.
- Lorsque vous hachez des ingrédients secs, notamment le pain, les noix et les épices, veillez à ce que le récipient de mélange et la base de lame soient bien secs.
- Le bouton « PULSE » doit être actionné uniquement par petits coups successifs. Les lames doivent s'immobiliser complètement entre les impulsions lorsque vous appuyez sur le bouton « PULSE » puis relâchez-le .
- Ne tentez pas de mélanger ou de pétrir de la pâte compacte ou des pommes de terre pilées ni de fouetter des blancs d'œufs.
- Ne mélangez pas trop les aliments. Il ne suffit que de quelques secondes pour mélanger ou hacher la plupart des ingrédients à la consistance voulue. Ne laissez pas tourner le moteur pendant plus de trois (3) minutes à la fois.
- Ne pas verser de liquides bouillants dans le récipient de mélange en verre.

NETTOYAGE

ENTRETIEN ET NETTOYAGE

Avant d'utiliser votre mélangeur Blender Solution^{MC} 5000 pour la première fois, et après chaque usage, nettoyez bien le récipient de mélange en verre, la base de lame du mélangeur, la base de lame de la machine à boisson fouettée, la soupape de service, le couvercle et le bâtonnet mélangeur. Pour prolonger la durée de vie de votre mélangeur Blender Solution^{MC} 5000, ne mettez pas les pièces en plastique au lave-vaisselle. Ouvrez la soupape de service pendant le lavage pour bien la rincer. Après chaque usage, dévissez et désassemblez la soupape de service pour la nettoyer (voir les directives ci-dessous).

En cas de problème avec cet appareil, débranchez-le immédiatement de la prise de courant, puis communiquez avec Back to BasicsMD en composant le 1 800 688-1989.



NETTOYAGE DE LA SOUPAPE DE SERVICE

Pour désassembler la soupape en vue du nettoyage :

1. Dévissez tout le module de soupape de la machine à boisson fouettée en le tournant dans le sens antihoraire.
2. Enlevez le capuchon du corps de la soupape en le dévissant dans le sens antihoraire.
3. Serrez ensemble le capuchon et l'obturateur, puis faites glisser le levier hors de la clavette de l'obturateur.
4. Enlevez le ressort.
5. Enlevez l'obturateur et la clavette de l'obturateur en tirant sur la rondelle en caoutchouc de l'obturateur. L'obturateur et la clavette sont ajustés avec précision et ne doivent pas être séparés.
6. Nettoyez toutes les pièces à l'eau chaude savonneuse, puis réassemblez le tout dans l'ordre indiqué.

GARANTIE

Veillez remplir cette fiche de garantie et nous la retourner ou enregistrer votre produit en ligne à l'adresse backtobasicsproducts.com dans les dix jours suivant votre achat. CES RENSEIGNEMENTS SONT DESTINÉS À L'USAGE INTERNE SEULEMENT

M. Mme. **Modèle : Machine à boisson fouettée SmoothieElite^{MC}**

1. Nom _____

2. Adresse _____

 Ville _____ Province _____ Code postal _____

3. Adresse de courriel _____

4. Âge : 18-24 25-34 35-49 50+

5. État matrimonial: Marié(e) Célibataire

6. Nombre d'enfants à la maison : 12 ans et moins _____ 13 à 18 ans _____

7. Revenu : Moins de 25 000 \$ 25 001 \$ à 50 000 \$
 50 001 \$ à 75 000 \$ 75 001 \$ et plus

8. Où ce produit a-t-il été acheté? _____

9. Comment avez-vous entendu parler de ce produit?

___ Cadeau	___ Recommandation d'un ami
___ Annonce à la télévision	___ J'ai vu le produit en magasin
___ Publicité imprimée	___ Émission de téléachat
___ Article de revue	___ Internet
___ Autre _____	

10. Quels sont les deux principaux éléments qui ont motivé votre achat :

___ Cadeau	___ Recommandation d'un vendeur
___ Offre promotionnelle	___ Recommandation d'un ami
___ Apparence du produit	___ Expérience antérieure avec un produit Back to Basics
___ Utilisation simple	___ Réputation de Back to Basics
___ Qualité ou durabilité	___ Rapport qualité-prix
___ Caractéristiques du produit	___ Emballage du produit
___ Autre _____	

11. Pourquoi avez-vous acheté ce produit Back to Basics?

___ Pour remplacer un produit existant.
___ Insatisfaction à l'égard du ou des produits que vous possédez actuellement.
___ Premier ou premiers produits achetés
___ Reçu en cadeau

12. Désirez-vous que l'on vous transmette des promotions, des recettes et de nouveaux renseignements sur nos produits par courriel? __OUI __NON

COMMENTAIRES _____



Pliez la fiche d'inscription ici et envoyez-la dans les dix jours suivant l'achat pour valider la garantie.

Affranchir

BACK TO BASICS PRODUCTS, INC.
675 West 14600 South
Bluffdale, UT 84065
ÉTATS-UNIS

