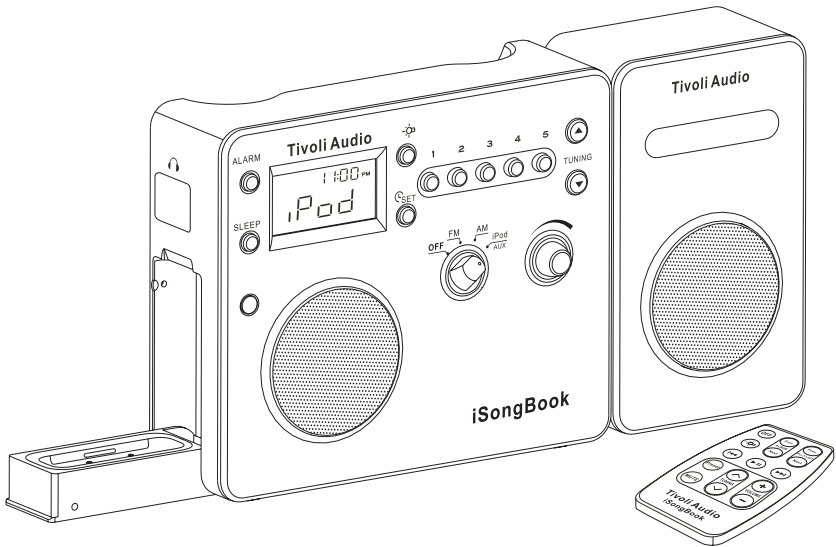


OWNER'S MANUAL

iSongBook™



Tivoli Audio™



This symbol is intended to alert the user to the presence of uninsulated "dangerous voltage" within the product's enclosure that may be of sufficient magnitude to constitute a risk of electric shock to persons.



This symbol is intended to alert the user to the presence of important operating and maintenance (servicing) instructions in the literature accompanying the appliance.

IMPORTANT SAFETY INSTRUCTIONS

- 1) Read and keep these instructions.
- 2) Heed all warnings.
- 3) Follow all instructions.
- 4) Warning: To reduce the risk of fire or electric shock, do not expose this product to rain or moisture. For example, do not use near a bathtub, in a wet basement, near a swimming pool, and the like.
- 5) Clean only with a dry cloth. Do not use aerosol or liquid cleansers. Unplug the product before cleaning.
- 6) Do not block any ventilation openings. Install in accordance with the manufacturer's instructions. Do not block openings by placing on a bed, sofa, rug, or similar surface. Do not place in a built-in installation such as a rack or bookshelf unless proper ventilation is provided. Do not push objects of any kind through openings.
- 7) Do not install near any heat sources such as radiators, heat registers, stoves, or other apparatus (including amplifiers) that produce heat.
- 8) Do not defeat the safety purpose of the polarized or grounding-type plug. A polarized plug has two blades with one wider than the other. A grounding type plug has two blades and a third grounding prong. The wide blade or the third prong is provided for your safety. If the provided plug does not fit into your outlet, consult an electrician for replacement of the obsolete outlet. Do not overload wall outlets or extension cords.
- 9) Protect the power cord from being walked on or pinched particularly at plugs, convenience receptacles, and the point where they exit from the apparatus. When removing the power cord from the wall outlet, grasp it by the plug, not the cord.
- 10) Only use attachments/accessories specified by the manufacturer.



- 11) Use only with the cart, stand, tripod, bracket, or table specified by the manufacturer, or sold with the apparatus. When a cart is used, use caution when moving the cart/apparatus combination to avoid injury from tip-over.
- 12) Unplug this apparatus during lightning storms or when unused for long periods of time.
- 13) Refer all servicing to qualified service personnel. Servicing is required when the apparatus has been damaged in any way, such as if the power-supply cord or plug is damaged, liquid has been spilled or objects have fallen into the apparatus, the apparatus has been exposed to rain or moisture, does not operate normally, or has been dropped.
- 14) Operate this product only from the type of power source indicated on the rear panel. For products using an external power supply, use an exact replacement if lost or damaged. For products operating from battery power, refer to the user manual.
- 15) Unplug this product from the wall outlet and refer servicing to qualified service personnel under the following conditions:
 - a. When the power supply cord or plug is damaged.
 - b. If liquid has been spilled or objects have fallen into the product.
 - c. If the product has been exposed to water or rain.
 - d. If the product does not operate normally by following the operating instructions.
 - e. If the product has been dropped or damaged in any way.
 - f. When the product exhibits a distinctive change in performance.
- 16) When replacement parts are required, be sure the service technician has used replacement parts specified by the manufacturer.
- 17) Upon completion of any service, ask the service technician to perform safety checks to confirm the product is in proper operating condition.
- 18) This product has been tested and found to comply with the limits for Part 15 of the FCC rules. These limits are designed to provide reasonable protection against harmful interference in a residential installation. This product generates, uses, and can radiate radio frequency energy and, if not installed and used in accordance with the instructions, may cause harmful interference with radio communications. However, there is no guarantee that interference will not occur in a particular installation. If this equipment does cause harmful interference to radio or television reception, which can be determined by turning the product on and off, the user is encouraged to try to correct the interference by one or more of the following measures:
 - Reorient or relocate the receiving antennas
 - Increase the separation between the equipment and the receiver.
 - Connect the equipment to an outlet on a circuit different from that to which the receiver is connected.
- 19) If the LCD becomes cracked and damaged, do not touch the liquid.
- 20) Keep this product a safe distance away from naked flame, such as a lit candle.
- 21) Do not expose this product to splashing or dripping. Objects containing liquid, such as vases or drinking glasses, should not be placed on top of this product.
- 22) The recommended operating temperature range is 5 degrees C to 40 degrees C.
- 23) The 12VDC input is suited for operating this product in a boat or camper using an optional 12VDC, 2A fused adaptor.

About Tivoli Audio

Tivoli Audio was started by **Tom DeVesto** with the goal of bringing simple to use, high quality audio products to the consumer at reasonable prices. His long professional association with Henry Kloss includes co-founding Cambridge SoundWorks*. As CEO and head of research and development at his former company, Tom was responsible for the development of many of the best selling home entertainment and multi-media products on the market. He also held senior management positions in product development at both Advent and Kloss Video.

*Cambridge SoundWorks is a registered trademark of Creative Labs, Singapore.

iSongBook Instructions

Congratulations on your purchase of Tivoli Audio's iSongBook portable FM/AM radio with built-in iPod dock. We believe the iSongBook to be one of the finest sounding "Made for iPod" stereo audio systems on the market today.

In order to take full advantage of what your new radio is capable of, please take a moment to read this owner's manual and the Safety Instructions. If you have any questions, please do not hesitate to contact your dealer or Tivoli Audio.

Please save the carton and original packing should you ever need to ship your radio, as shipping damage is not covered by the factory warranty.

On behalf of all of us, thank you for choosing Tivoli Audio and enjoy your new iSongBook!

Packed with your iSongBook you should find:

- 1 External Power Supply
- 1 Remote Control (battery installed)
- 7 iPod Dock Adapters (see "iPod Dock" on page 8)
- 1 Warranty Registration Card

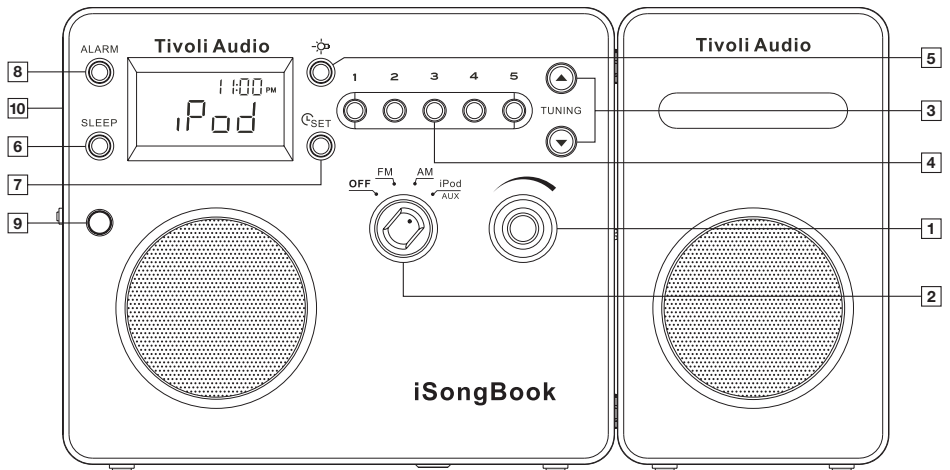
Please contact your dealer/distributor or Tivoli Audio if any of these items are missing.

Getting Started

1. Set the iSongBook on a flat, stable surface. Attach the male mini plug from the secondary speaker cable into the jack marked "R CH" on the side of the iSongBook and position the speaker and main unit as desired.
2. With the iSongBook Off, connect the external power supply to the rear jack on the iSongBook labeled 12VDC/1A and then plug it into a wall outlet.
3. Flip down the iPod docking station and insert the appropriate iPod adapter cup based on the iPod model you own. Install your iPod in the dock by fitting the dock's connector into the jack on the bottom of the iPod.
4. Turn the iSongBook's front source knob to the iPod/Aux position and set the volume control to the desired level. The iPod will power On to its last state.

Note: Low (bass) frequencies place a heavy strain on speakers and amplifiers. The iSongBook was engineered to reproduce the maximum amount of low frequencies for its size and power. Therefore, we recommend setting your iPod's EQ to "Off" for best overall performance.

Guide To Features (Front Panel)



- VOLUME KNOB:** Rotate the volume knob to the right to increase the volume or to the left to decrease the volume. This knob also controls the volume of the headphone output. The volume level display ranges from 0 (no audio) to 30 (maximum output) and will appear momentarily each time the volume is adjusted. If the volume ever sounds distorted, reduce the level to prevent damage to the speakers. Since recording levels vary, you may need to adjust the volume level when switching from the radio to the iPod and vice versa.

Figure 1



- OFF/FM/AM/iPod/AUX KNOB:** Turn the source knob one click to the right to hear the FM band, two clicks to the right to hear the AM band, or three clicks to the right for the iPod/Auxiliary input. When the iSongBook is switched to FM or AM the display will show the station which was last tuned. When switched to the iPod/Auxiliary input, the display will show iPod when an iPod is docked. (Figure 1) Otherwise, the display will show "AU". In Off mode the clock will be shown in a larger format.
- TUNE ^/v BUTTONS:** Press the Tune Up button briefly to increase the frequency steps or the Tune Down button briefly to decrease the frequency steps. Press and hold the Tune Up/Down buttons to rapidly scan through the stations. To Auto Search, press, hold for more about .5 seconds, and release the Tune Up or Down button and the tuner will automatically stop on the next strongly received station. When the tuner locks on to an FM stereo signal the display will show a pair of headphones with the letters "ST". These buttons are also used to set the clock and alarm times.
- #1-5:** With the iSongBook set to FM or AM, press and hold to set the currently tuned radio station. The Preset number will flash and a beep will be heard confirming the station has

been successfully stored. Once stored, press the Preset button briefly to recall the station associated with that Preset. The tuned preset number will shown on the bottom of the display. There are 5 presets for the FM band and 5 for the AM band.

- LIGHT:** Press briefly to engage the iSongBook's backlight. The backlight will turn off automatically after 30 seconds to conserve power, or press again to cancel the backlight. Press and hold to keep the backlight on for as long as the button is held in. If an iPod is docked and the iSongBook is in iPod mode, when this button is pressed, the iPod backlight will also activate for 30 seconds. However it cannot be turned off with the backlight button.
- SLEEP:** With the iSongBook tuned to an FM or AM station, or with a docked iPod playing, press and hold for over 1.5 seconds to get 20 minutes of playback. An icon showing a figure in bed will appear on the display and the number "20" will appear momentarily. A confirmation beep will also be heard. After approximately 20 minutes the iSongBook will go into Standby mode and the display will show "Standby". You may now press the Sleep button for another 20 minutes of playback, turn the iSongBook Off, or switch to a different input. To prematurely deactivate the Sleep function during playback, press and hold the Sleep button. The bed icon will disappear from the display and a confirmation beep will be heard. The Sleep function will not work when the source knob is set to the Off position.

To use the Sleep function in conjunction with the alarm, once the alarm has been set (see "Using the Alarm") and the iSongBook goes into Standby, press the Sleep button. After 20 minutes, the iSongBook will return to Standby with the alarm set.

Figure 2

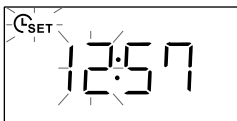


Figure 3

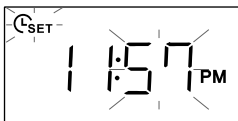
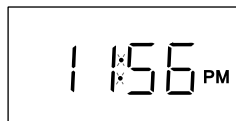
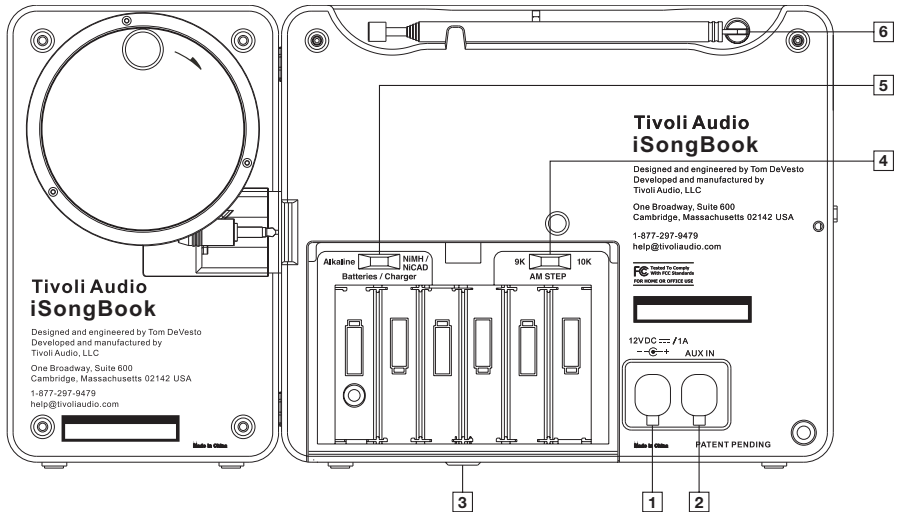


Figure 4



- TIME SET:** Press and hold to set the clock. A beep will be heard to confirm you have entered the Time Set mode. (Figure 2) The hour will flash first. Press the Tune Up/Down buttons briefly to change the hour or press and hold to rapidly change the hours. The "PM" designation will appear for afternoon/evening hours but there is no "AM" designation for morning hours. Now press the Time Set button to adjust the minutes using the Tune Up/Down buttons. (Figure 3) The minutes will not affect the hour setting. Press the Time Set button a third time to store the settings. (Figure 4) If the clock is set and there are no batteries (or the batteries are dead) inside the iSongBook, disconnecting the external power supply will cause the time to flash to indicate power was lost. The clock remains this way until power is restored and the time is set again. **Note:** Non-US models use a 24-hour clock format.
- ALARM:** This button is used in conjunction with the Time Set and Tuning buttons. For more, see the section marked "Using the Alarm".
- IR SENSOR:** Receives commands from the remote control. Do not block this sensor.
- HEADPHONE OUT (Upper Left Side):** Connect a headset (not included) to this variable stereo output for private listening. The headset will mute the primary speaker(s). The headset's volume is adjusted using the volume knob. This stereo output accepts a 1/8" stereo male mini connector. Avoid using headphones at high volume levels to prevent possible hearing damage. Do not wear headphones while driving.

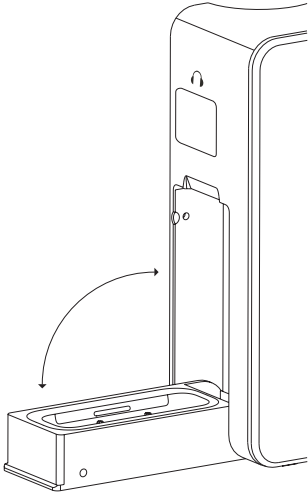
Guide To Features (Rear Panel)



1. **12VDC/1A:** Connect the included external power supply to this input, or use an optional 2A fused, 12VDC adaptor for operation in a boat or camper. The connector must be 5.5mm/ 2.1mm center positive. When disconnecting the power supply from the wall outlet, never pull it by the cord. Do not plug the iSongBook into a wall outlet controlled by a switch. It is normal for the power supply to become warm during use. **The included power supply is designed for the country/voltage in which the iSongBook was purchased and should be used accordingly. Use only the external power supply provided with the iSongBook. To obtain a replacement contact your authorized dealer/distributor or Tivoli Audio USA at 1-877-297-9479.**
2. **AUX IN:** To hear audio from another device, such as a CD player, TV, or computer, connect said device's audio output to this stereo input and switch the front source knob to iPod/Aux. Switching to the Aux position does not turn on the connected device. **If an iPod is docked, it must be removed from the docking station in order to hear a connected auxiliary device.** This stereo input accepts a 1/8" stereo male mini connector. Note you may need to adjust the volume level differently for an auxiliary device than the level used for radio listening.
3. **BATTERY COVER:** Loosen the bottom screw with a coin until the battery cover is released. The screw will not come off the cover completely. Slide the cover down and lift it up to access the battery compartment. Note the cover is on hinges and cannot be removed completely.
4. **AM STEP SWITCH (Inside Battery Compartment):** Select 10k for AM reception in the USA or 9k for use outside North and South America.
5. **BATTERIES/CHARGER SWITCH (Inside Battery Compartment):** Set to "Alkaline" if using standard "AA" alkaline batteries, or set to NiMH for Nickel Metal Hydride, or NiCAD if using Nickel Cadmium batteries. Batteries are not included. **Do not set the switch to NiMH/NiCAD if using Alkaline batteries,** as the charger will try to charge the alkaline batteries when the external power supply is connected which could damage the iSongBook. Such damage is not covered by the factory warranty.

- 6. FM ANTENNA:** For FM, extend and rotate the telescoping antenna for best FM reception. In strong FM signal locations, reducing the antenna's length usually provides better reception. Keep the antenna retracted in its locked position when not being used to avoid damage. For AM, rotate the iSongBook for best AM reception.

iPod Dock (Left Side)



Any iPod model with dock connector will fit the iSongBook's Universal Dock through the use of inserts called "Dock Adapters". Match your iPod model to the chart to determine which Dock Adapter is right for your iPod. Each Dock Adapter is numbered according to the chart.

Adapter Cup	iPod Model	Capacity
1	3rd Gen. iPod (thin)	10, 15, 20 GB
2	3rd Gen. iPod (fat)	30, 40 GB
3	iPod Mini	4, 6 GB
4	4th Gen. iPod (thin)	20 GB
5	4th Gen. iPod (fat)	40 GB
6	iPod w/Color Display (thin)	20, 30 GB
7	iPod w/Color Display (fat)	60 GB

Flip the dock down and install the dock adapter by aligning the 2 tabs with the 2 recesses in the dock and push down until the plate snaps in place.



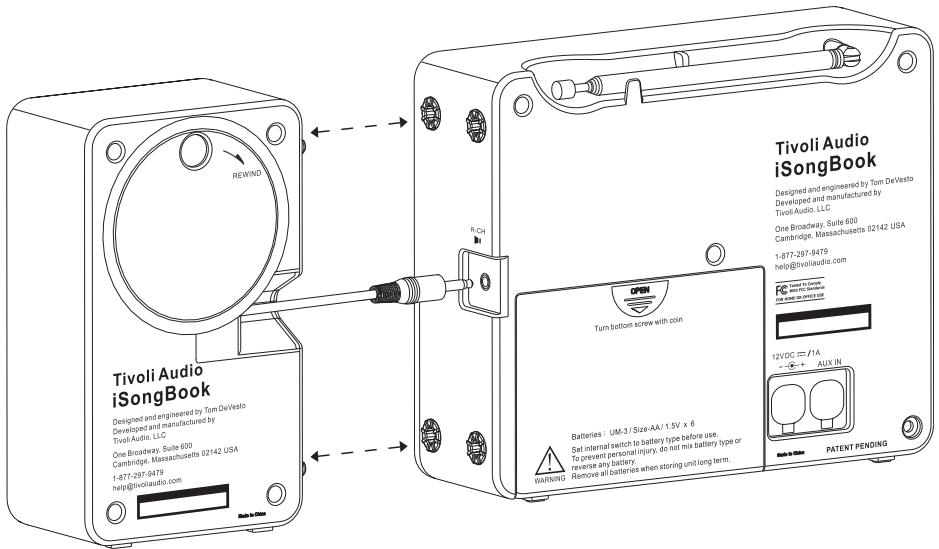
Be sure there is a firm, level, and stable support for the docking station whenever it is being used. Improper support could result in damage to the hinge or the dock itself. To avoid damage to the docking station or an iPod, we suggest the dock remain in its closed position when the iSongBook is being transported.

Be sure the iPod is fully seated within the iSongBook's docking well, as incomplete connection may result in intermittent sound/operation. The iPod's controls will continue to operate while docked in the iSongBook.

To remove the dock adapter, insert your fingernail in the horizontal slot and pull up until the cup releases.

Secondary Speaker (Right Side)

Grasp the tip of the male mini connector on the end of the secondary speaker's audio cable and using only as much force as is required, pull it straight out to the desired length (up to six feet). Insert the 1/8" male mini connector into the main unit's right side female mini output labeled "R-CH". The secondary speaker mates securely with the main unit by pushing the 4 connecting pins into the four rubber grommets on the right side of the iSongBook.



When the secondary speaker's mini cable is connected to the main unit, the main unit automatically acts as the left channel while the secondary speaker becomes the right channel. To detach the secondary speaker, get a firm grasp and pull until all 4 pins are released from the grommets. When the secondary speaker's mini cable is disconnected from the main unit, the main unit automatically becomes mono.

To draw the cable back inside the cabinet, place your finger in the finger recess of the rewind wheel and rotate clockwise in the direction of the arrow. **Stop rotating the wheel once the connector comes to its resting position**, as over-tightening could damage the mechanism or cause the cable to bind.

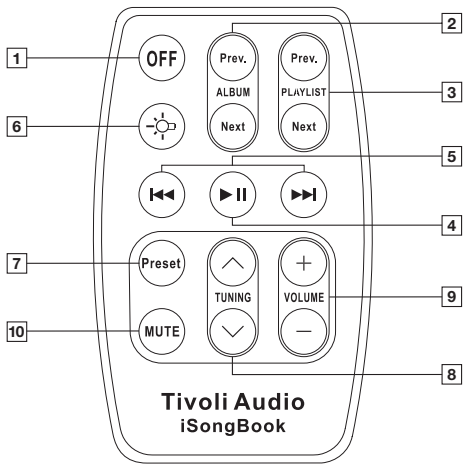
For best stereo separation and imaging, place the secondary speaker as far apart from the main unit as possible. A red band around the cable indicates you have reached the end of the cable (slightly over 6 feet) and should not extract it any further*.

Using a secondary speaker other than the one provided will void your warranty and possible damage the iSongBook. Conversely, do not use the secondary speaker with anything other than the iSongBook.

*Do not splice the audio cable attached to the secondary speaker. If you require a longer cable, please consult your local electronics supplier for an extension.

Although the secondary speaker secures tightly to the main unit, never pick up the iSongBook by the secondary speaker only, as it could detach under such force. Always grasp the main unit when transporting by hand.

**Remote Control
(remove the clear protective plastic from battery compartment):**



Certain remote functions may not be compatible with older iPod software. To update your software, log on to www.apple.com/ipod/download/

Functions 2-5 control an iPod only.

1. **Off:** Shuts a docked iPod Off and places the iSongBook into Standby.
2. **Album Prev./Next:** Advance to the next album or go back.
3. **Playlist Prev./Next:** Advance to the next Playlist or go back.
4. **Play/Pause:** Press once to play the song highlighted on the iPod, press again to pause play back. Press and hold to power the iPod Off or On when docked with the iSongBook On and in iPod mode. There is a slight delay before the iPod powers Off.
5. **⏮ ⏭:** Press to advance or go back a track. Press and hold to fast forward or fast reverse through a track.
6. **Light:** Press to activate the iSongBook’s backlight for 30 seconds. Pressing a second time will turn the iSongBook’s backlight off but the iPod’s backlight will remain on for the remainder of the 30 seconds.
7. **Preset:** Press to cycle through each favorite station preset when the iSongBook is set to FM or AM. This button cannot be used to memorize stations into the preset memory.
8. **Tuning ^/∨:** Press the Up arrow or the Down arrow to increase or decrease the FM or AM frequencies.
9. **Volume +/-:** Press to increase or decrease the volume level.

Figure 5



10. **Mute:** Press to mute the output. The iSongBook’s LCD will flash “00” until audio is restored by pressing mute again or adjusting the volume. (Figure 5)

The remote will only operate an iPod when it is docked in the iSongBook. When it comes time to replace the remote's battery, use only a major brand name 3V Lithium battery with model number compatible with CR2025. Slide the battery cover off and install the new battery with the positive "+" side facing up.

Note: The remote control functions are not affected by the "hold" switch on an iPod.

Using the Alarm

Figure 6

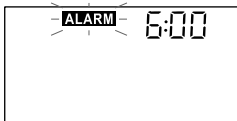


Figure 7



Figure 8



- 1. To set the Alarm time:** Press the Alarm button briefly. The word "Alarm" will flash on the display. (Figure 6) Press and hold the Time Set Button to set the Alarm time. A beep will be heard to confirm you have entered the Alarm Time Set mode. The hour will blink. (Figure 7) Press the Tune Up/Down buttons briefly to change each hour or press and hold to rapidly change the hours. "PM" will appear for afternoon/evening hours but there is no "AM" designation for morning hours. (Figure 8) Now press the Time Set button to adjust the minutes using the Tune Up/Down buttons. (Figure 8) The minutes will not affect the hour setting. Press the Time Set button again to save the settings.

Note: Non U.S. models use a 24 hour clock format.

Figure 9



Figure 10



- 2. To set the Alarm to wake:** Set the iSongBook to the FM or AM station you wish to wake to and that will be broadcasting during the time you wish to wake (or set to Off or Aux (without an iPod docked) to wake to an increasing beep) and adjust the volume level accordingly. The beep volume level is not adjustable. Press and hold the Alarm button. A beep will be heard confirming the Alarm is set to wake and the word "Alarm" will show on the display. The iSongBook will go into Standby mode and the display will show "Standby". (Figure 9) When the alarm activates the LCD will also light up and the word "Alarm" will flash. (Figure 10) Should you opt to wake to the beep, the beep will sound for 60 seconds, then pause for 60 seconds, then resume for another 60 seconds. This pattern will repeat for up to one hour or until the Alarm button is pressed. When waking to the radio or iPod, if the unit is not turned off, the sound will play for one hour, after which the iSongBook will automatically go into Standby mode to preserve power.

To wake to your iPod, follow the steps above but set the source knob to iPod/Aux and have an iPod resting in the docking station.

Summary of Alarm Options:

Source Knob Position:	OFF	FM	AM	iPod/Aux
Alarm Action:	Beep	FM	AM	iPod (if docked)/Beep

After the alarm has been set and the iSongBook is On, press the Alarm button briefly any time to verify the alarm set time. If the Alarm has been set and the iSongBook is in the Off position, the alarm wake time will be shown in the upper right hand corner.

- 3. To Re-set the Alarm for the next day:** After the alarm activates, press the Alarm button to re-set the alarm for the following day. The word “Alarm” will appear and the unit will go into Standby. Changing the source knob to another position will cancel Standby mode.

Charging

The iSongBook’s internal charger will “fast” charge the six NiMH or NiCAD batteries if the adapter is connected, the Batteries/Charger switch is correctly set, and the iSongBook is switched Off. Otherwise, the batteries receive a slow “trickle” charge. All six NiMH/NiCAD batteries must be correctly installed for charging to take place. While charging, the LCD will show the battery icon with the signal bars cycling. This will disappear from the display once the batteries have fully charged. It is normal for the rear panel to become warm while the batteries are charging. A docked iPod will also receive a full charge except when the iSongBook is tuned to AM. This is intentional since the internal charger reduces AM reception. See the quick reference chart below for charging status:

Source Knob Position:	OFF	FM	AM	iPod/Aux
iSongBook Charge:	Fast	Trickle	Trickle	Trickle
Docked iPod Charge:	Fast	Fast	None	Fast

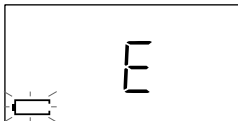
The iSongBook operates strictly from battery power alone when the AC adapter is not connected and all six batteries are correctly installed.

The iSongBook operates solely from the external power adapter whenever it is connected.

The iSongBook may be used with the AC adapter exclusively without batteries installed.

The LCD will show battery strength whenever the iSongBook is on and batteries are installed. The battery strength meter is approximate. Three bars represent full strength, two bars represent roughly 50% strength, and one bar represents about 25% remaining strength. The signal strength meter will not be shown when there are no batteries installed and the iSongBook is operating from the power supply.

Figure 11



An “E” (“Empty”) on the LCD represents batteries which are just about depleted and should be replaced if Alkaline, or charged if NiMH/NiCAD, within approximately 10 minutes or the display will go blank and all memory settings will be lost. (Figure 11) If the display shows “E” and alkaline batteries are replaced while the iSongBook is On, the “E” will reappear on the LCD after the batteries are replaced until the unit is switched Off and then turned back On to reset the microprocessor. Batteries should be replaced with the iSongBook Off.



Other Important Battery Notes:

- **Rechargeable batteries that are brand new, or have not been used in a long time, require conditioning (5–6 full charge/discharge cycles) before lengthy playback time is realized. Higher mA valves will yield longer playback time but will also require a longer charge time.**
- Remove all of the batteries if the iSongBook is not to be used for an extended period of time.
- Dispose of spent batteries according to your state/country’s regulations.
- Do NOT mix battery types or different battery strengths.
- Change batteries while the iSongBook is OFF.
- The battery orientation should match the illustration in the battery compartment.

Reception

Buildings made with concrete, steel, or aluminum siding will hinder reception. Household appliances, electric blankets, computers, CD players, microwave ovens, and other electronic devices can also adversely affect reception or inject noise. If you experience this, move the iSongBook further from the offending device or plug it into an electrical outlet not shared by another device. Metal surfaces may hinder AM reception. For more reception advice, please refer to “FM Antenna” under the “Guide to Features (Rear Panel)”.

Placement

Place the unit on a flat, stable surface. The iSongBook is shielded and may be used in close proximity to a computer monitor or television set.

Note: For your own safety and to protect the iSongBook from accidental damage, route all audio and power cables where they will not be tripped over.

Cleaning

Never use any harsh cleansers or solvents on your iSongBook. The iSongBook is designed to be portable and weather-resistant, but it is not indestructible or weather proof. Also note the LCD can be affected by hot and cold temperatures.

Warranty

Tivoli Audio manufactures its products to very high standards and we are confident our products will perform well. Accordingly, we warranty this product against manufacturing defects in material and workmanship to the original owner, for a period of one year from the original date of purchase. This warranty is non-transferable. This warranty does not extend to any iPod model used with this device.

This warranty does not extend to damage caused by improper use/installation, using the charger to charge alkaline batteries, faulty ancillary equipment, modifications, unauthorized repair, shipping damage or loss, abuse, accidents, use on improper voltage/current, power surges, lightning or other acts of God, normal wear and tear, or commercial use. **Please consult the dealer from which you purchased this product for warranty service or repair. Proof of purchase may be required.**

Please resist the temptation to take apart this product. There are no user serviceable parts inside, and any attempt at modifying or repairing your unit will void the warranty.

Tivoli Audio will not pay for costs incurred due to correction of reception problems, elimination of externally generated static/noise, loss of time, inconvenience, loss of use of product, or damage caused by improper use of this product.

This warranty gives you specific legal rights, and you may also have other rights which vary from state to state. Some states do not allow limitations on implied warranties or the exclusion of consequential damages, therefore, such restrictions may not apply to you.

If you purchased an extended service contract from your dealer and service is required after the manufacturer's warranty has expired, please contact your dealer to obtain service.

For your convenience, you may register your product for warranty coverage on the web at www.tivoliaudio.com, or complete and return the enclosed warranty card within 30 days of purchase.

Please visit Tivoli Audio's FAQ section before calling or e-mailing with questions:
www.tivoliaudio.com

Warranty

Tivoli Audio manufactures its products to very high standards and we are confident our products will perform well. Accordingly, we warranty this product against manufacturing defects in material and workmanship to the original owner, for a period of one year from the original date of purchase. This warranty is non-transferable. This warranty does not extend to any iPod model used with this device.

This warranty does not extend to damage caused by improper use/installation, using the charger to charge alkaline batteries, faulty ancillary equipment, modifications, unauthorized repair, shipping damage or loss, abuse, accidents, use on improper voltage/current, power surges, lightning or other acts of God, normal wear and tear, or commercial use. **Please consult the dealer from which you purchased this product for warranty service or repair. Proof of purchase may be required.**

Please resist the temptation to take apart this product. There are no user serviceable parts inside, and any attempt at modifying or repairing your unit will void the warranty.

Tivoli Audio will not pay for costs incurred due to correction of reception problems, elimination of externally generated static/noise, loss of time, inconvenience, loss of use of product, or damage caused by improper use of this product.

This warranty gives you specific legal rights, and you may also have other rights which vary from state to state. Some states do not allow limitations on implied warranties or the exclusion of consequential damages, therefore, such restrictions may not apply to you.

If you purchased an extended service contract from your dealer and service is required after the manufacturer's warranty has expired, please contact your dealer to obtain service.

For your convenience, you may register your product for warranty coverage on the web at www.tivoliaudio.com, or complete and return the enclosed warranty card within 30 days of purchase.

Please visit Tivoli Audio's FAQ section before calling or e-mailing with questions:
www.tivoliaudio.com

Specifications

Model:	Tivoli Audio iSongBook™
Type:	FM/AM Digital Portable Stereo Radio with iPod Dock
Drivers:	2 x 2.5" (2 x 6.35 cm) full-range
Receiving Bands:	FM: 87.5–108 MHz AM: 520–1710kHz (522–1629kHz using 9k Step)
De-Emphasis:	75uSec UL/50uSec CE
Dimensions:	11" W x 6.19" H x 2.19" D 27.94 cm W x 15.72 cm H x 5.56 cm D
Weight:	2.81 lbs. (1.28 kg)

Specifications subject to change without notice.

Tivoli Audio reserves the right to make product changes without notice.

Tivoli Audio, the Tivoli Audio logo and the iSongBook are trademarks of Tivoli Audio, LLC.

iPod is a trademark of Apple Computer, Inc., registered in the U.S. and other countries.

Patent Pending

This manual was written by Peter Skiera and is the property of Tivoli Audio. Tivoli Audio shall not be held liable for operational, technical, or editorial errors/omissions.

For more information about other exciting products from Tivoli Audio, please visit our website or contact us directly:

Tivoli Audio
One Broadway, Suite 600
Cambridge, Massachusetts 02142
Tel: 877-297-9479
www.tivoliaudio.com