

PARTS LIST

for

KitchenAid®

PROLINE CHEF'S BLENDER

3-SPEED HOUSEHOLD/PLASTIC JAR

MODELS:

KPCB348PPM1 (Pearl Metallic)
KPCB348PNP1 (Nickel Pearl)
KPCB348POB1 (Onyx Black)
4KPCB348PPM1 (Pearl Metallic)

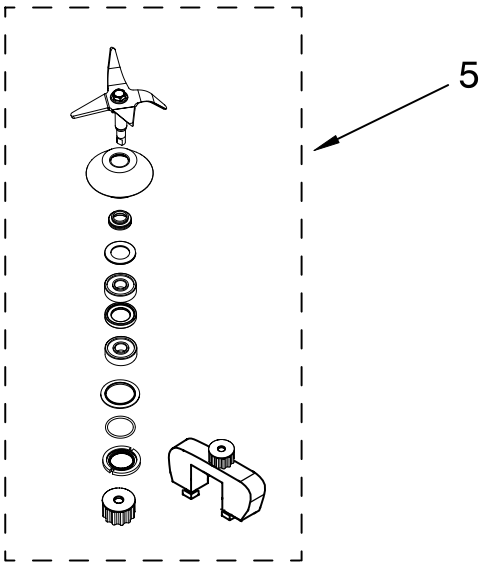
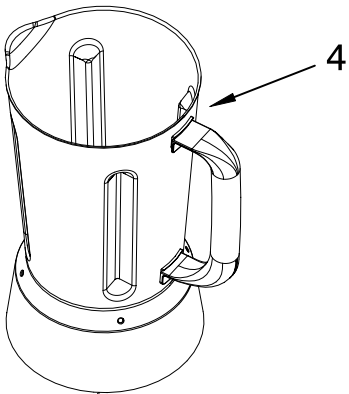
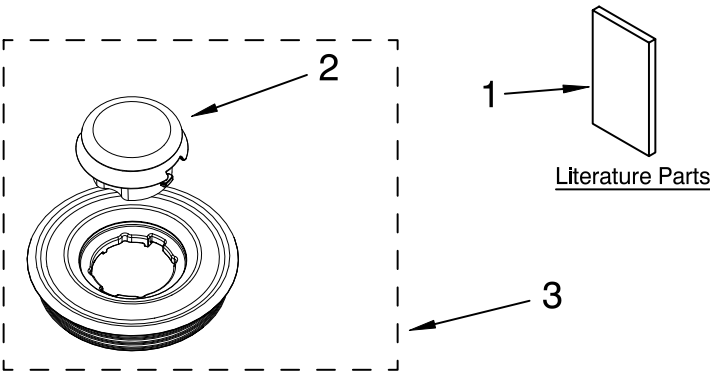


**FOR CUSTOMER SATISFACTION ALWAYS USE
FACTORY SPECIFICATION PARTS**



JAR ASSEMBLY PARTS

For Models: KPCB348P__1, 4KPCB348P__1

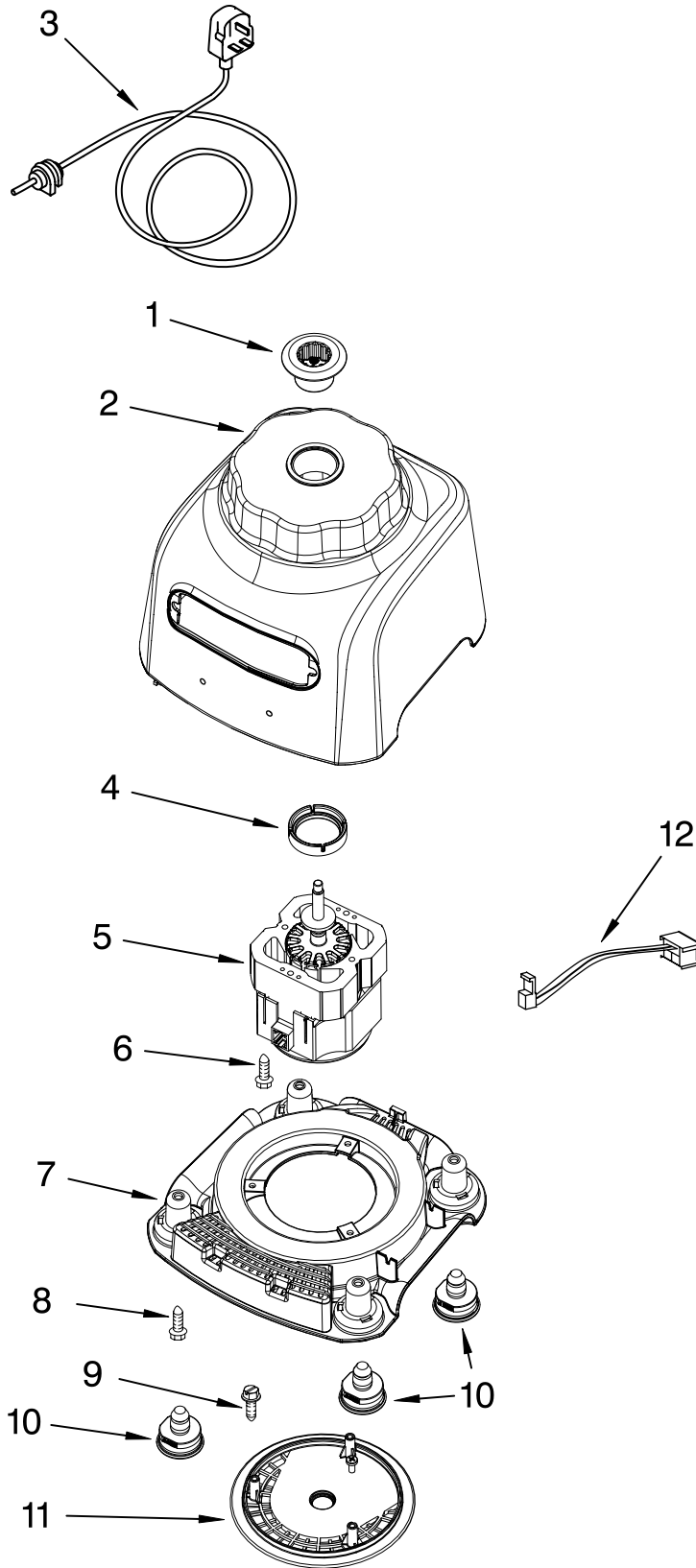


Illus. No.	Part No.	DESCRIPTION
1		Literature Parts
		Use & Care Guide
	8204582	U.S.
	8212224	Canada
	8212134	Repair Parts List
2	8212228	Cap, Ingredient
3	8211478	Lid Assembly
4	8212227	Jar, Plastic
		(Incl. Blade Assy)
5	8212280	Blade Assembly

FOR ORDERING INFORMATION REFER TO PARTS PRICE LIST

MOTOR AND HOUSING PARTS

For Models: KPCB348P__1, 4KPCB348P__1



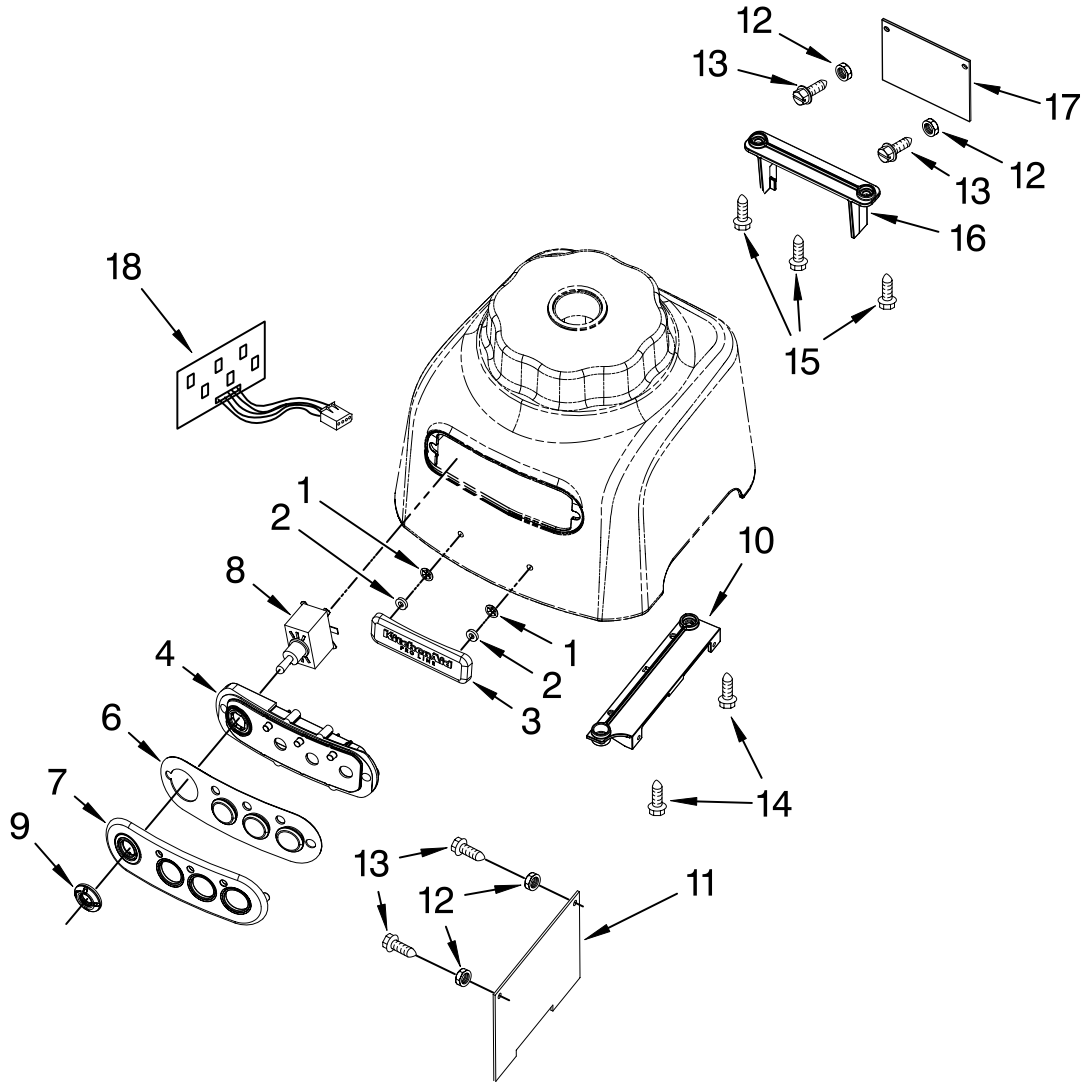
Illus. No.	Part No.	DESCRIPTION
------------	----------	-------------

1	4176868	Coupler, Lower
2	4176869	Housing
	8212232	Pearl Metallic
	W10193428	Nickel Pearl
		Onyx Black
3	4176870	Cord, Power
4	4176873	Seal, Motor
5	4176874	Motor
6	4176875	Screw
7	4176876	Base
8	4176877	Screw
9	4176878	Screw
10	4176879	Foot, Pedestal
11	4176880	Cover, Base
12	8211663	Sensor, Hall Effect

FOR ORDERING INFORMATION REFER TO PARTS PRICE LIST

ESCUTCHEON AND CONTROL PARTS

For Models: KPCB348P__1, 4KPCB348P__1



Illus. No.	Part No.	DESCRIPTION
1	4176866	Seal, Nameplate
2	4176867	Nut, Washer
3	4176865	Nameplate
4	4176864	Switch, Mount
6	4176861	Seal, Escutcheon 3-Speed
7	4176860	Escutcheon
8	4176859	Switch, On/Off
9	4176858	Bezel, Switch
10	4176883	Mount, Main PCB
11	4176882	Main PCB, 3-speed
12	4176897	Nut, Plastic
13	4176881	Screw, Plastic
14	4176875	Screw, PCB Mount
15	4176877	Screw
16	4176871	EMC Mount
17	4176872	EMC-PC Board
18	4176884	Control, PCB Assy 3-Speed

FOR ORDERING INFORMATION REFER TO PARTS PRICE LIST