

PARTS LIST

for

KitchenAid®

PROLINE CHEF'S BLENDER

3-SPEED HOUSEHOLD/PLASTIC JAR

MODELS:

**KPCB348PPM0 (Pearl Metallic)
4KPCB348PPM0 (Pearl Metallic)**

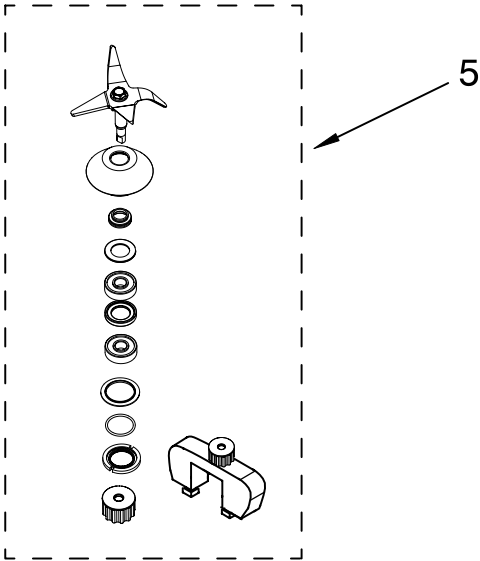
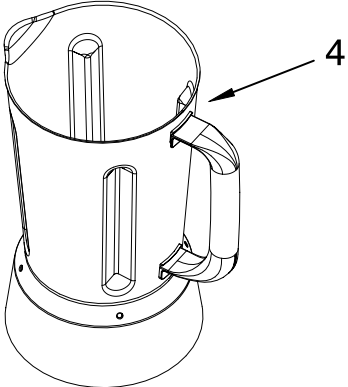
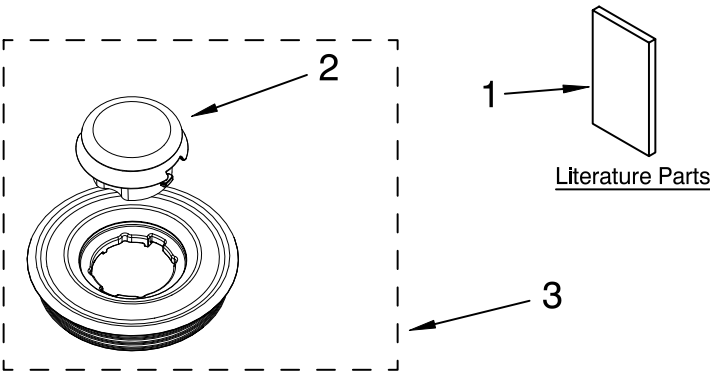


FOR CUSTOMER SATISFACTION ALWAYS USE
FACTORY SPECIFICATION PARTS



JAR ASSEMBLY PARTS

For Models: KPCB348P__0, 4KPCB348P__0

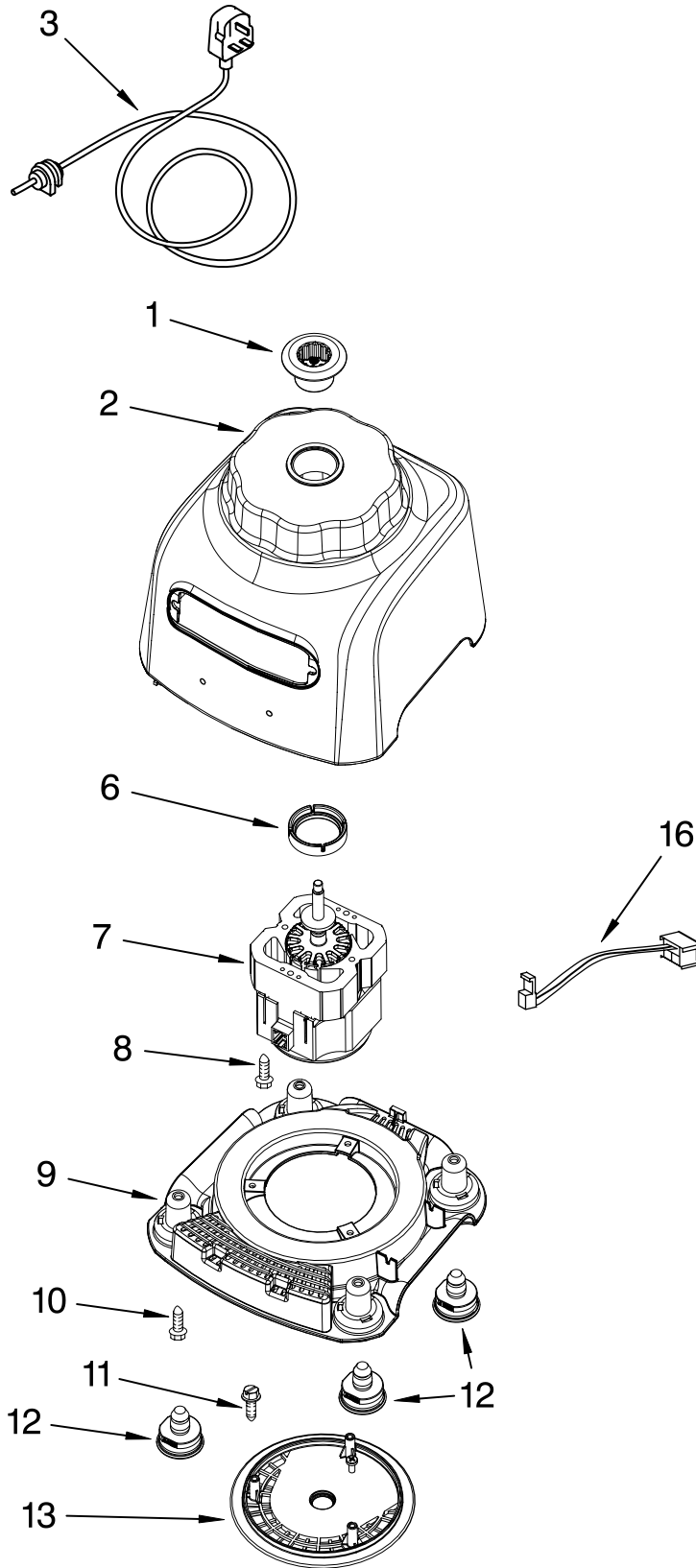


| Illus. No. | Part No. | DESCRIPTION |
|------------|----------|----------------------------------|
| 1 | | Literature Parts |
| | 8204582 | Use & Care Guide |
| | 8204582 | U.S. |
| | 8212224 | Canada |
| | 8211672 | Repair Parts List |
| 2 | 8212228 | Cap, Ingredient |
| 3 | 8211478 | Lid Assembly |
| 4 | 8212227 | Jar, Plastic (Incl Blade Asm) |
| 5 | 8212280 | Blade Assembly |

FOR ORDERING INFORMATION REFER TO PARTS PRICE LIST

MOTOR AND HOUSING PARTS

For Models: KPCB348P__0, 4KPCB348P__0

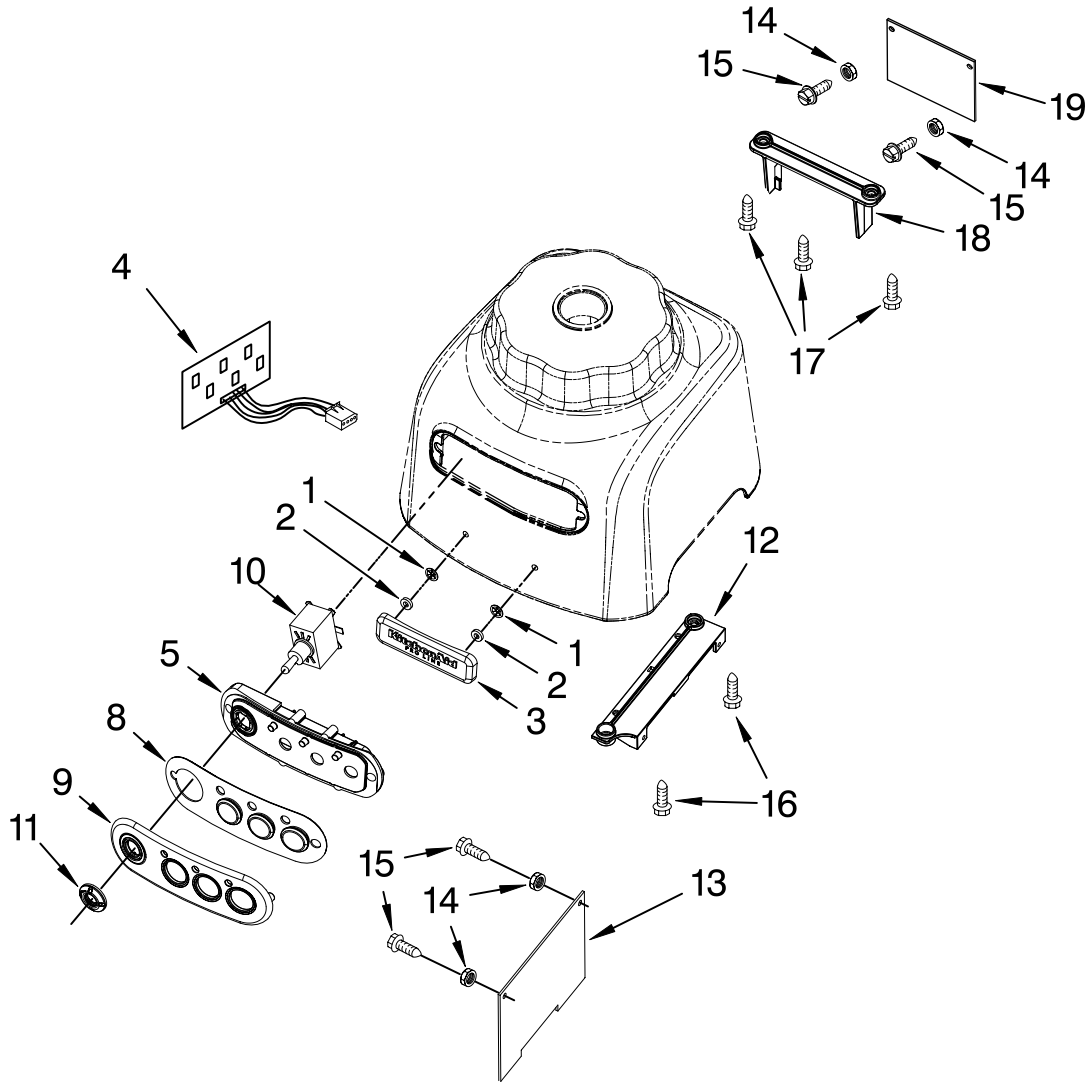


| Illus. No. | Part No. | DESCRIPTION |
|------------|----------|---------------------|
| 1 | 4176868 | Coupler, Lower |
| 2 | 4176869 | Housing |
| 3 | 4176870 | Cord, Power |
| 6 | 4176873 | Seal, Motor |
| 7 | 4176874 | Motor |
| 8 | 4176875 | Screw, 10 x 16 |
| 9 | 4176876 | Base |
| 10 | 4176877 | Screw, 10 x 16 |
| 11 | 4176878 | Screw, 8 x 3/8 |
| 12 | 4176879 | Foot, Pedestal |
| 13 | 4176880 | Cover, Base |
| 16 | 8211663 | Sensor, Hall Effect |

FOR ORDERING INFORMATION REFER TO PARTS PRICE LIST

ESCUTCHEON AND CONTROL PARTS

For Models: KPCB348P__0, 4KPCB348P__0



| Illus. No. | Part No. | DESCRIPTION |
|------------|----------|----------------------------|
| 1 | 4176866 | Seal, Nameplate |
| 2 | 4176867 | Nut, Washer |
| 3 | 4176865 | Nameplate |
| 4 | 4176884 | Control PCB Asm 3-Speed |
| 5 | 4176864 | Switch, Mount |
| 8 | 4176861 | Seal, Escutcheon |
| 9 | 4176860 | Escutcheon |
| 10 | 4176859 | Switch, On/Off |
| 11 | 4176858 | Bezel, Switch |
| 12 | 4176883 | Mount, Main PCB |
| 13 | 4176882 | Main PCB |
| 14 | 4176897 | Nut, Plastic |
| 15 | 4176881 | Screw, Plastic |
| 16 | 4176875 | Screw, PCB Mount |
| 17 | 4176877 | Screw 10 x 16 |
| 18 | 4176871 | EMC Mount |
| 19 | 4176872 | EMC-PC Board |

FOR ORDERING INFORMATION REFER TO PARTS PRICE LIST